

[54] COMBINATION SWEEPER-SCRUBBER FLOOR MACHINE

[75] Inventors: Donald J. Haub, Champlin; Alfred D. Carlson, Robbinsdale, both of Minn.

[73] Assignee: Tennant Company, Minneapolis, Minn.

[\*\*] Term: 14 Years

[21] Appl. No.: 416,159

[22] Filed: Sep. 7, 1982

[52] U.S. Cl. .... D32/16

[58] Field of Search ..... D32/15, 16; 15/48, 49 R, 15/50 R, 300, 320-327, 340, 353

[56] References Cited

U.S. PATENT DOCUMENTS

- D. 202,170 9/1965 Little et al. .... D32/16
- D. 206,576 1/1967 Knapp et al. .... D32/16
- D. 255,356 6/1980 Block ..... D32/16

- D. 263,475 3/1982 Block ..... D32/16
- 4,210,978 7/1980 Johnson et al. .... 15/320
- 4,348,783 9/1982 Swanson et al. .... 15/320

Primary Examiner—Catherine E. Kemper  
Assistant Examiner—Lynn Wilder  
Attorney, Agent, or Firm—Merchant, Gould, Smith, Edell, Welter & Schmidt

[57] CLAIM

The ornamental design for a combination sweeper-scrubber floor machine, substantially as shown.

DESCRIPTION

FIG. 1 is a front perspective view of a combination sweeper scrubber floor machine showing our new design;

FIG. 2 is a top plan view thereof;

FIG. 3 is a left side elevational view thereof;

FIG. 4 is a right side elevational view thereof;

FIG. 5 is a front elevational view thereof;

FIG. 6 is a rear elevational view thereof.

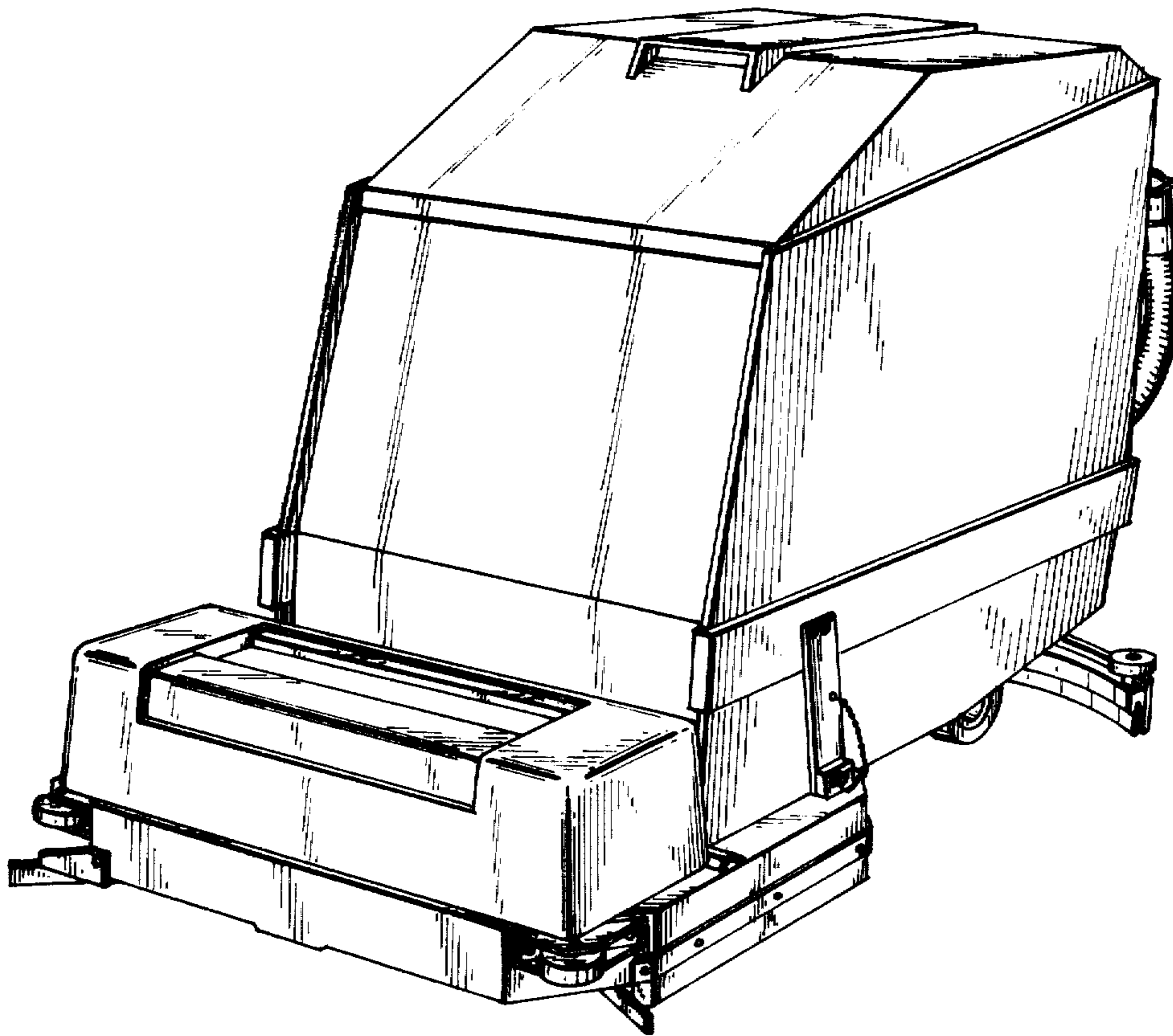


FIG. 1

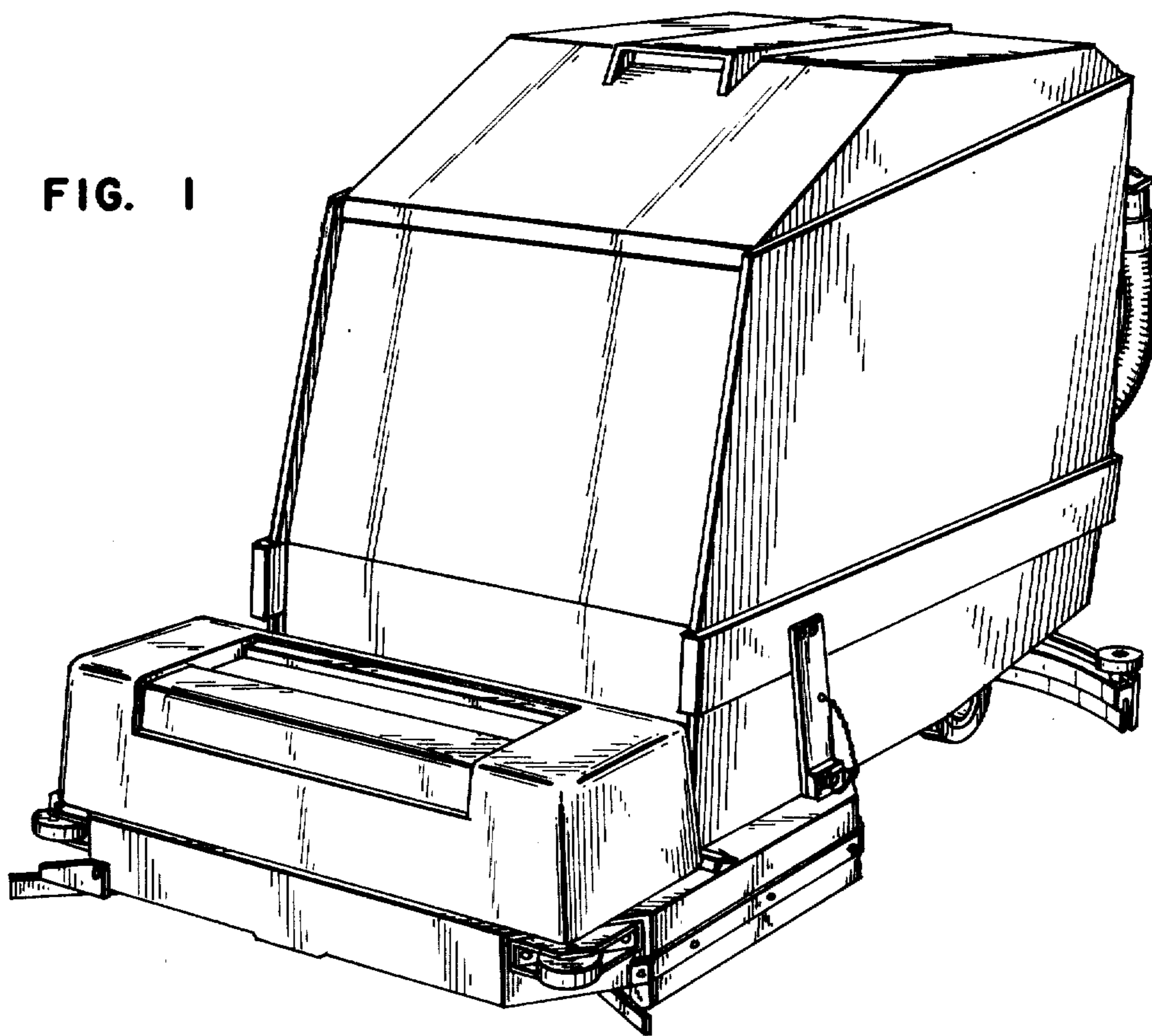


FIG. 2

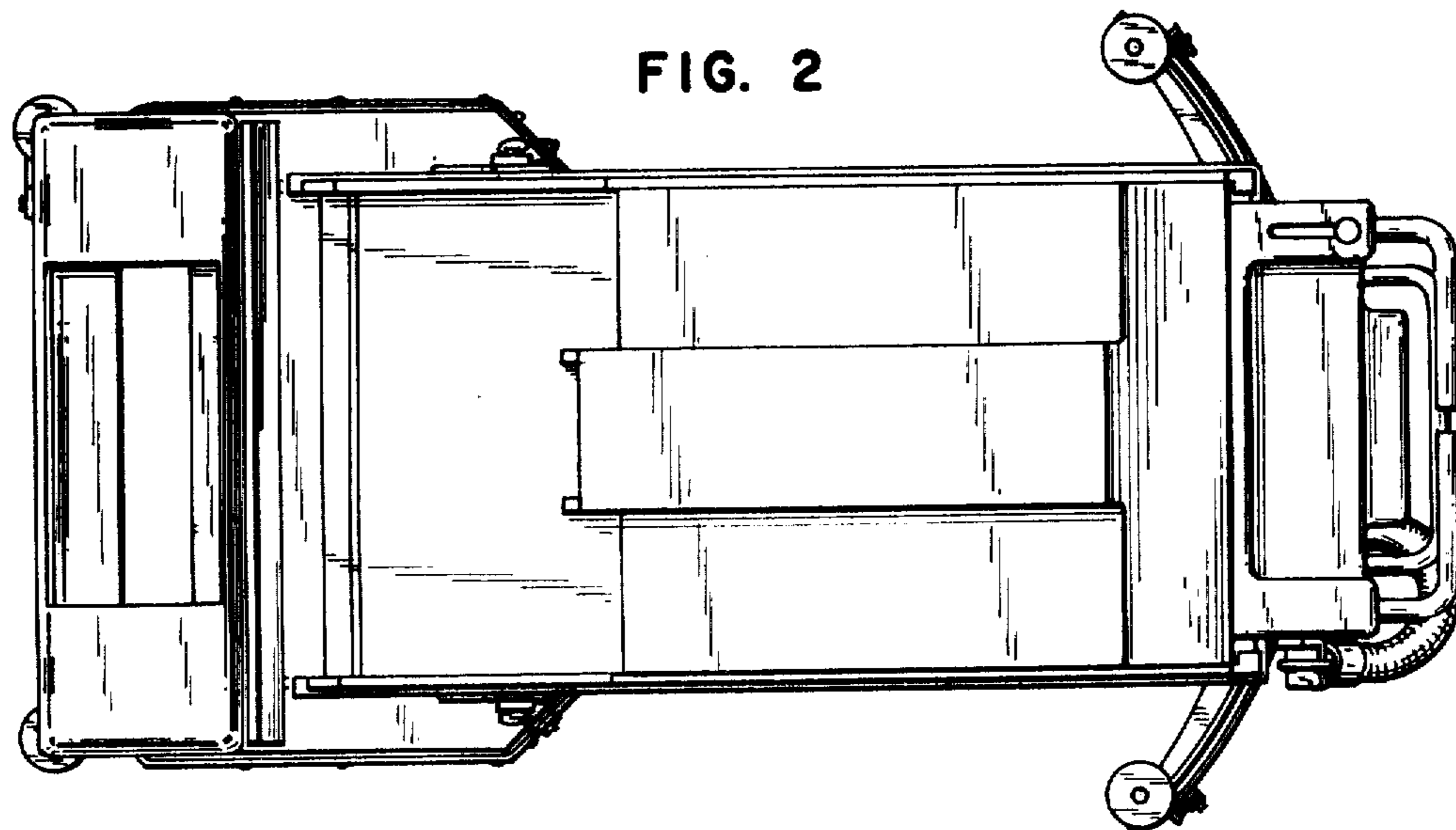


FIG. 3

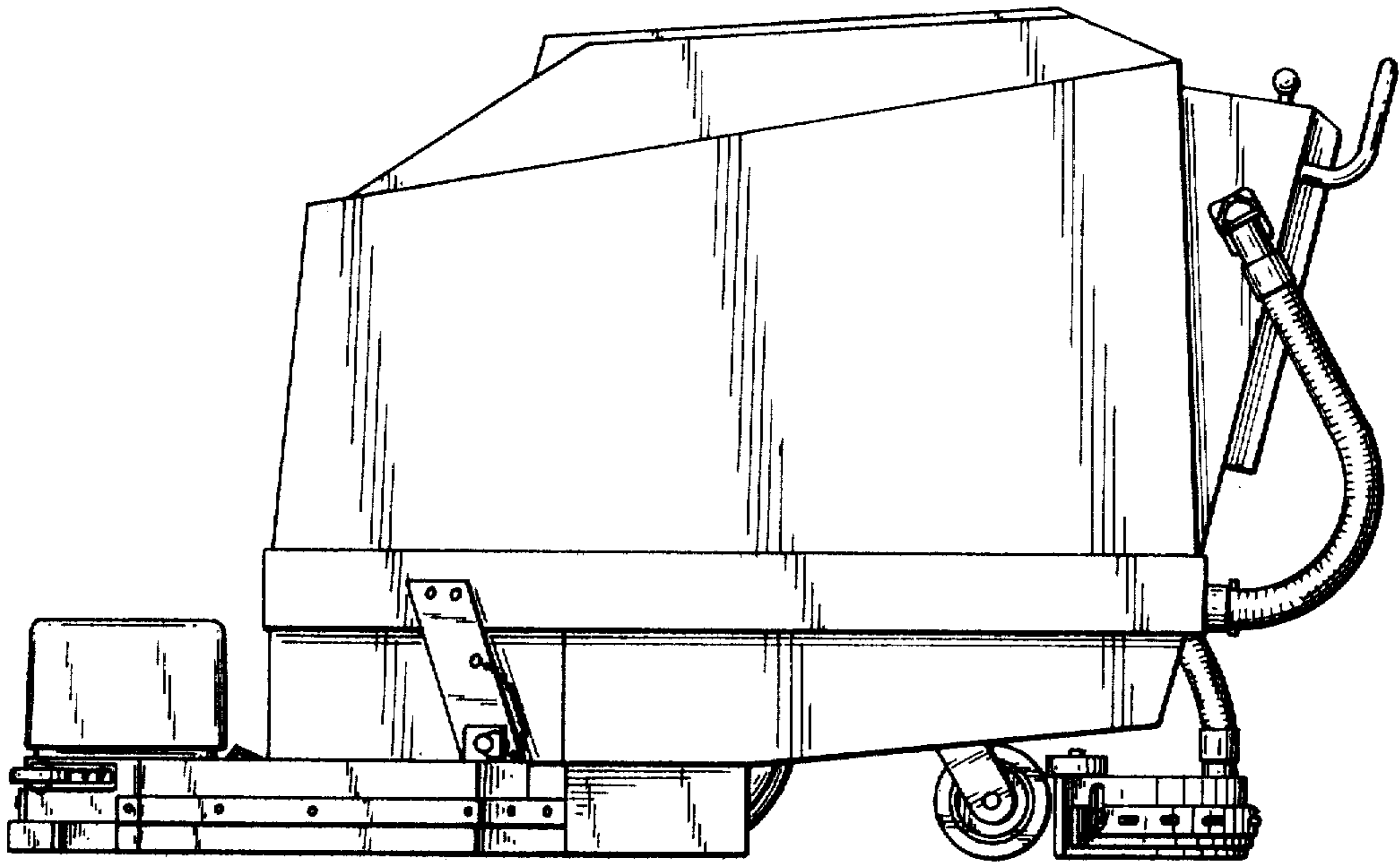


FIG. 4

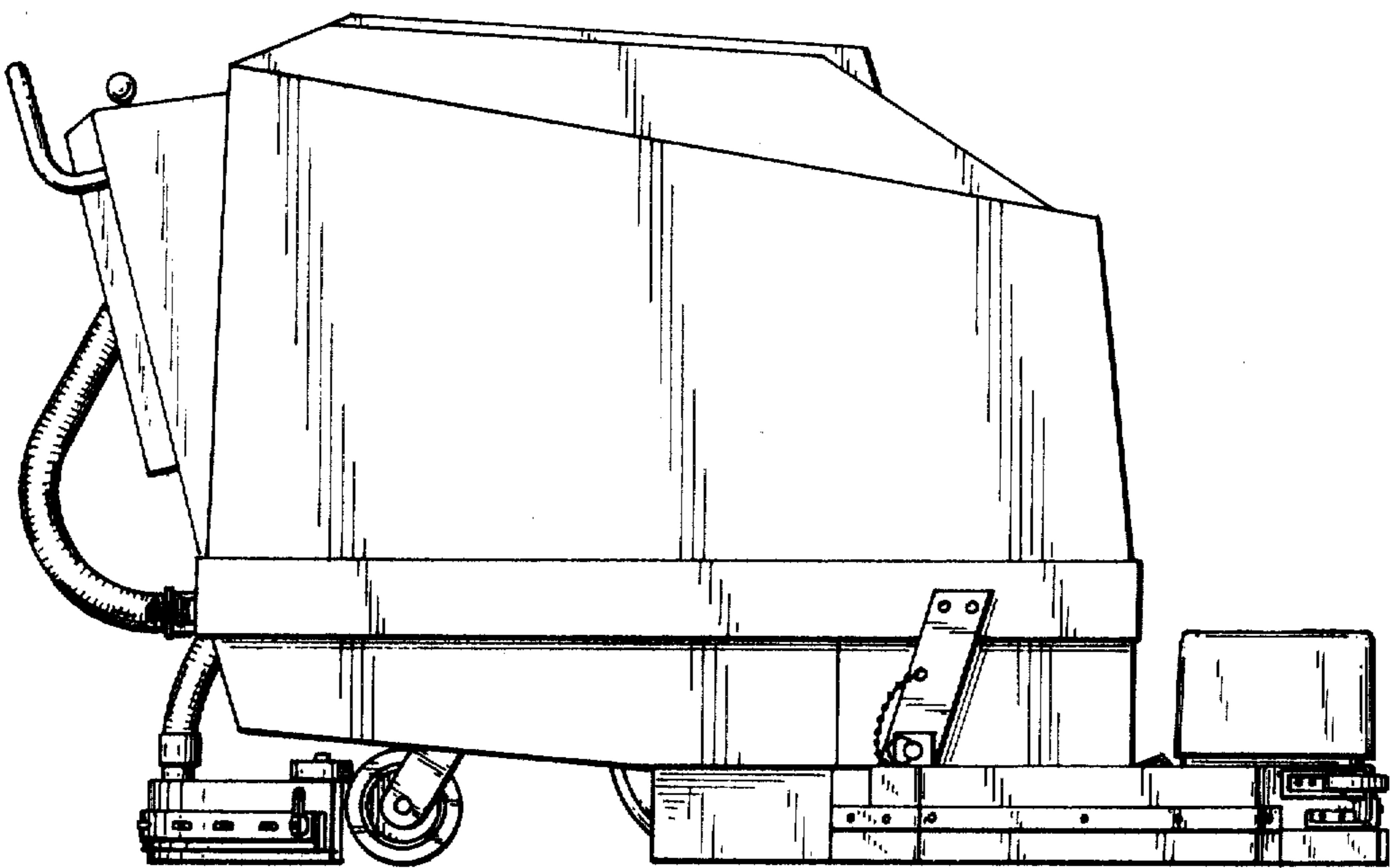


FIG. 5

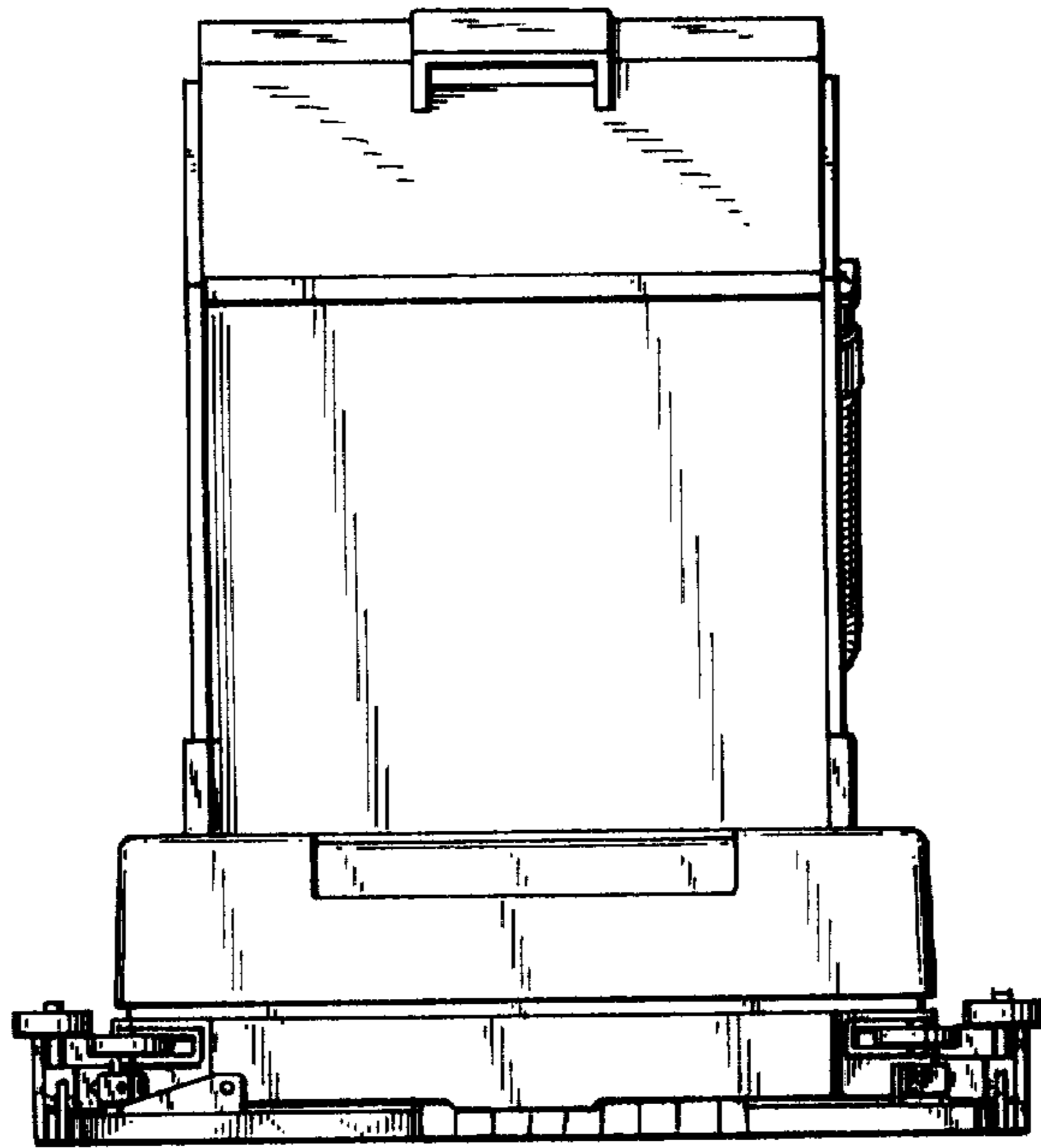


FIG. 6

