

[54] POWER SWEEPER

4,009,500 3/1977 Ashton 15/50 R

[75] Inventors: Paul W. Kimzey, Minneapolis; David W. Berg, Plymouth; Warren L. Larson, Brooklyn Park, all of Minn.

[73] Assignee: Tennant Company, Minneapolis, Minn.

[**] Term: 14 Years

[21] Appl. No.: 412,876

[22] Filed: Aug. 30, 1982

[52] U.S. Cl. D32/16

[58] Field of Search D32/15, 16; 15/48, 49 R, 15/50 R, 300, 320-327, 340, 353

[56] References Cited

U.S. PATENT DOCUMENTS

- D. 189,718 2/1961 Patch D32/16
- D. 257,845 1/1981 Peabody et al. D32/16
- 3,701,177 10/1972 Meyer et al. 15/320

OTHER PUBLICATIONS

Tennant "85" Sweeper *Modern Materials Handling* May 1961 p. 218.

Primary Examiner—Catherine E. Kemper
Assistant Examiner—Lynn Wilder
Attorney, Agent, or Firm—Merchant, Gould, Smith, Edell, Welter & Schmidt

[57] CLAIM

The ornamental design for a power sweeper, substantially as shown.

DESCRIPTION

FIG. 1 is a front perspective view of a power sweeper showing our new design;
FIG. 2 is a top plan view thereof;
FIG. 3 is a left side elevational view thereof;
FIG. 4 is a right side elevational view thereof;
FIG. 5 is a front side elevational view thereof;
FIG. 6 is a rear side elevational view thereof.

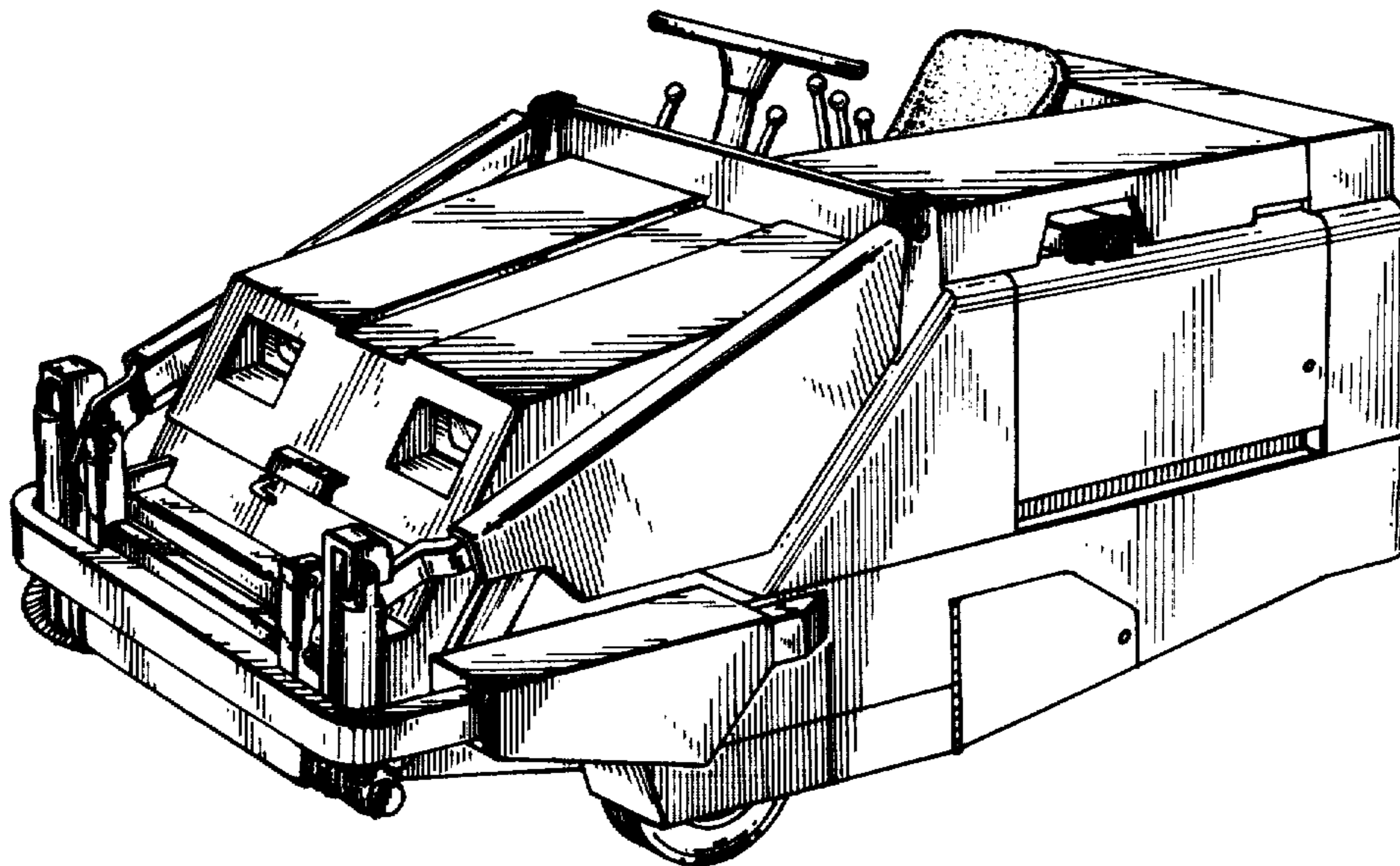


FIG. 1

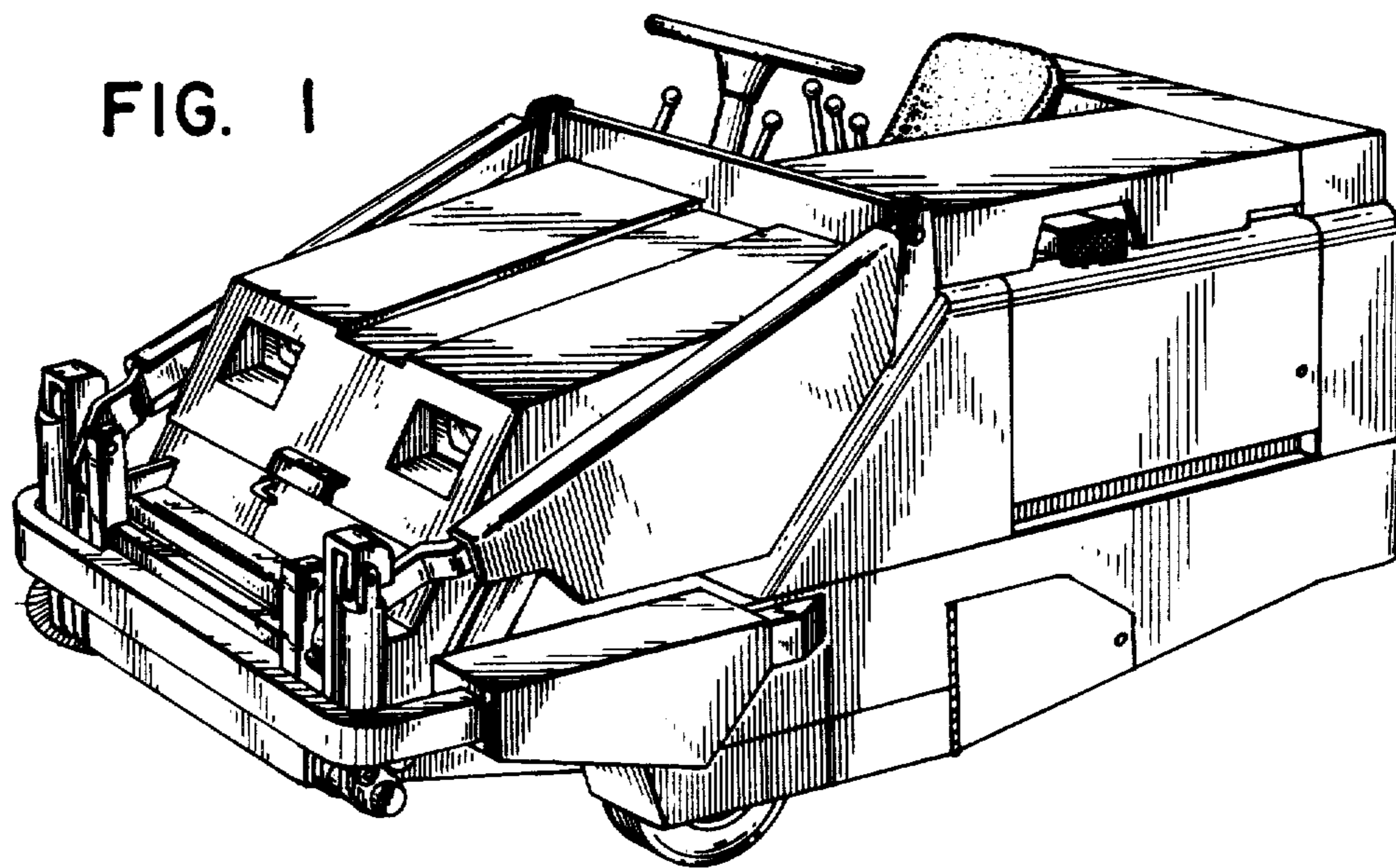


FIG. 2

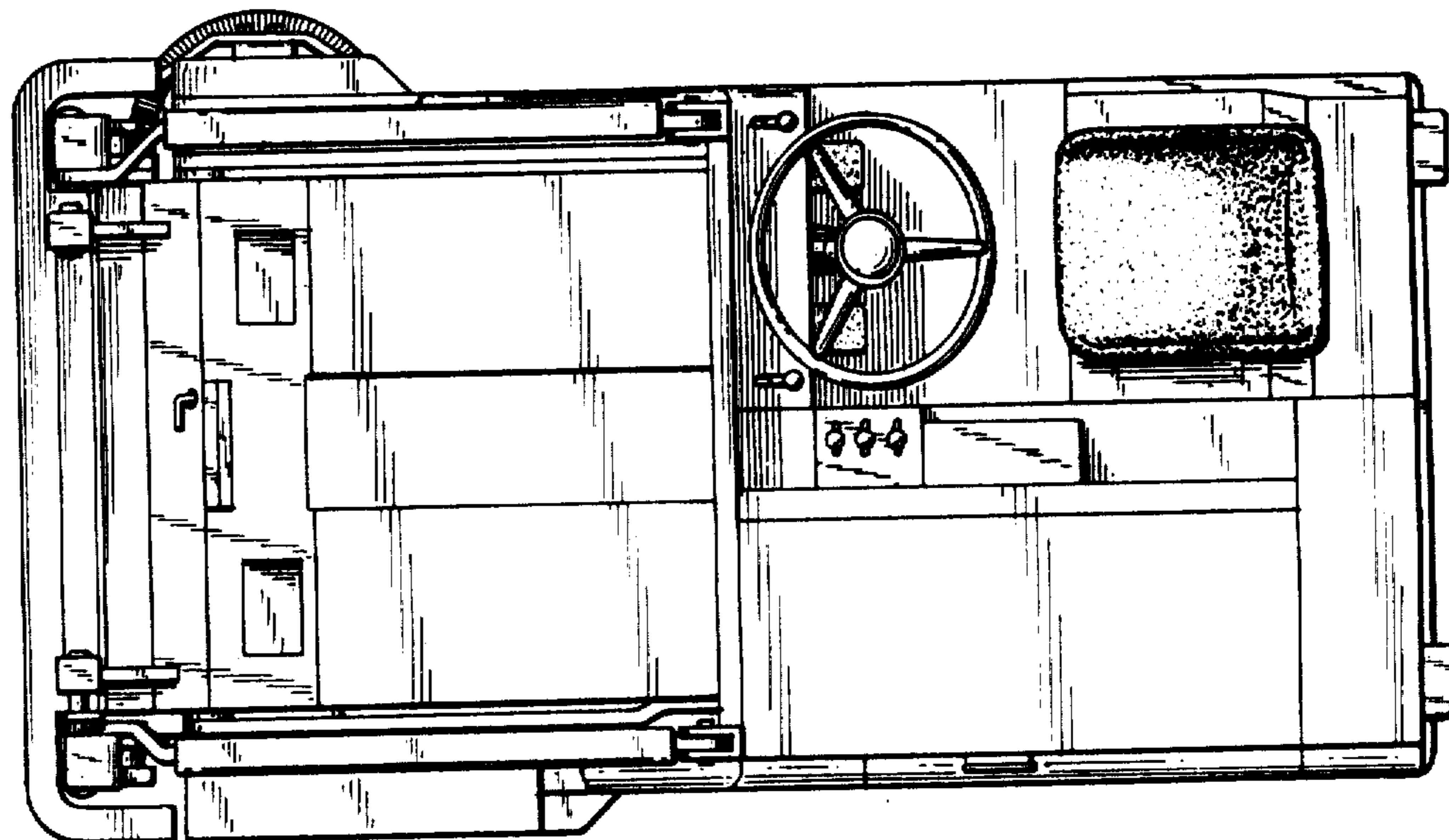


FIG. 3

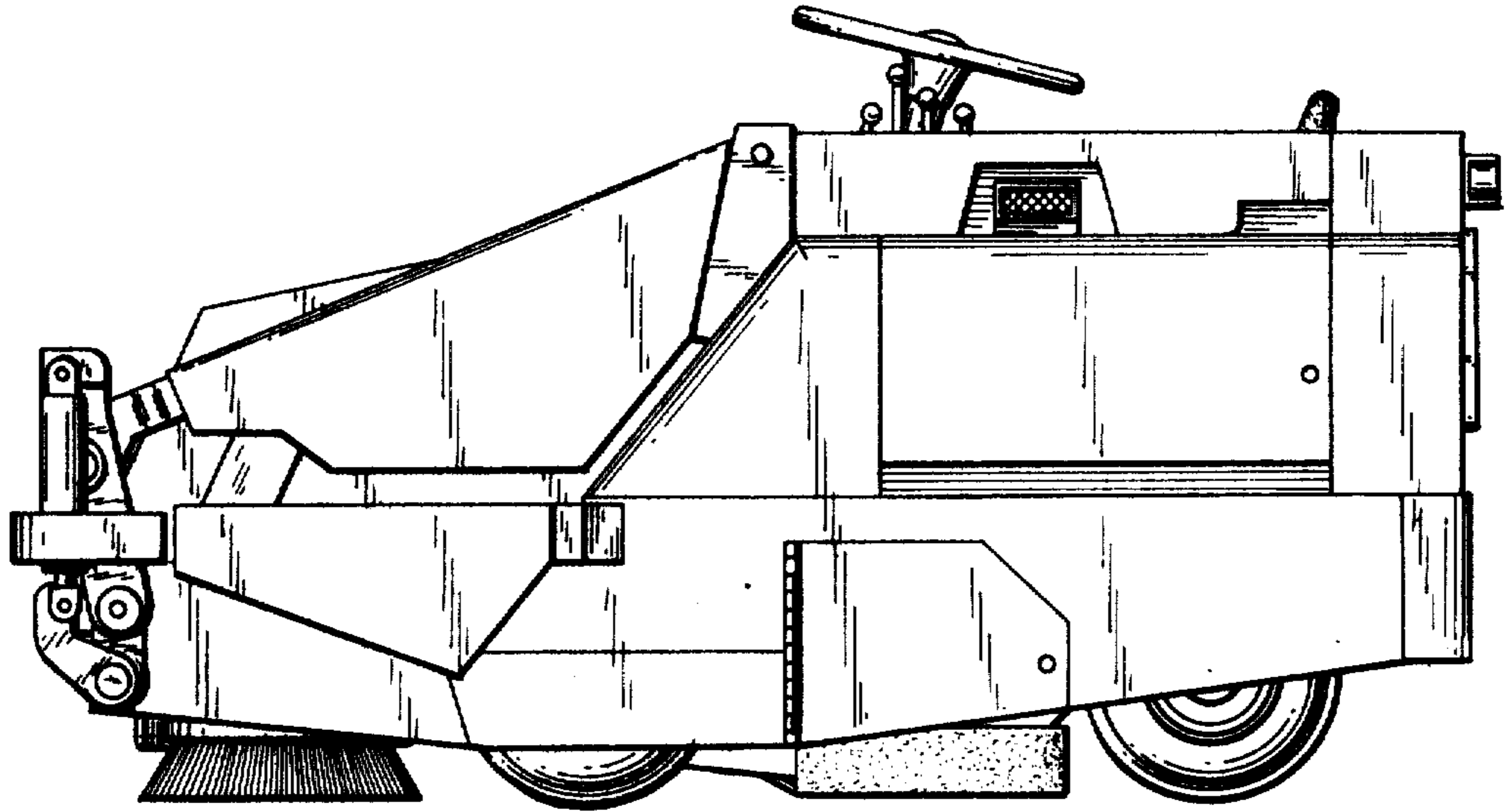


FIG. 4

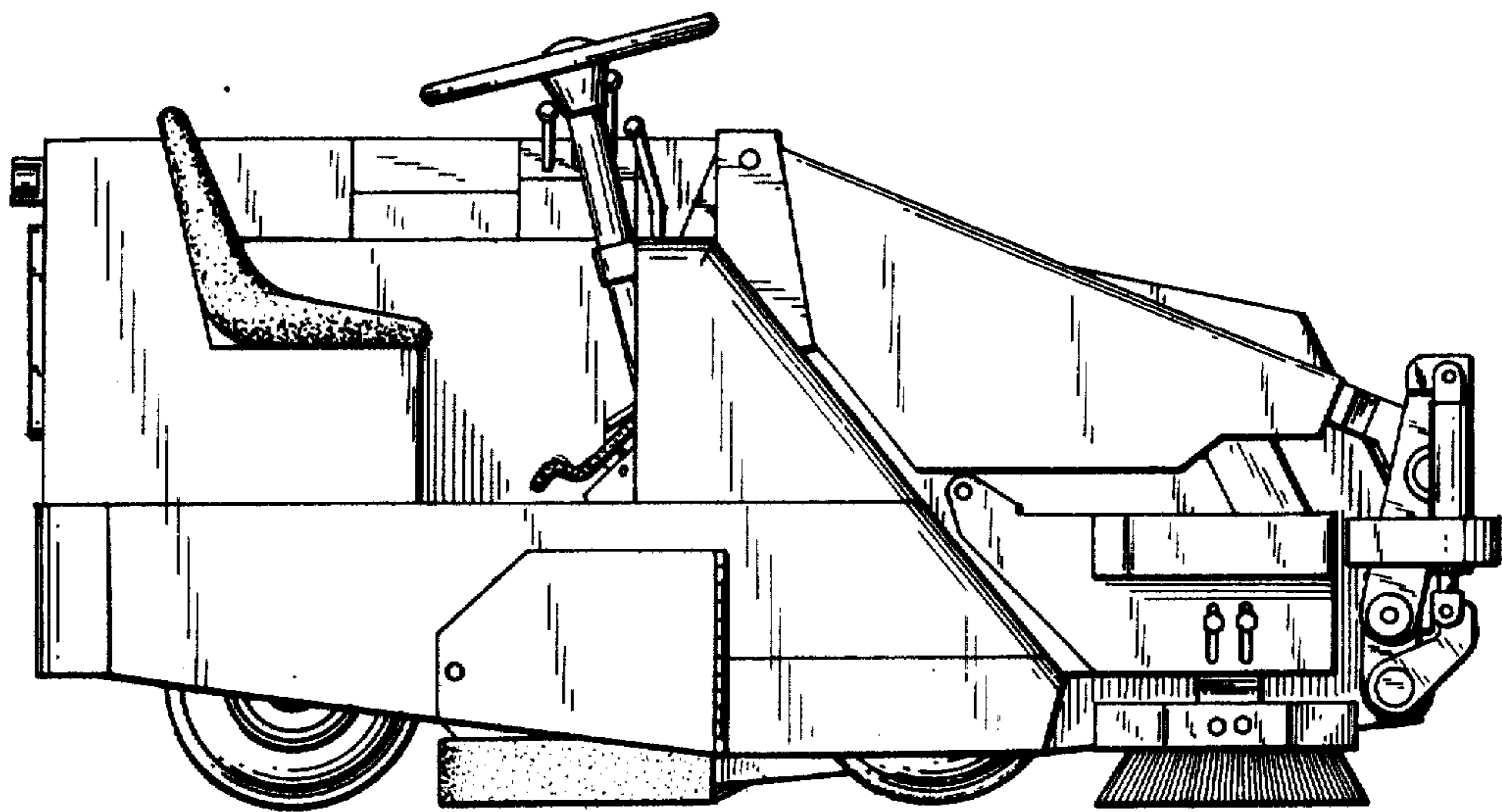


FIG. 5

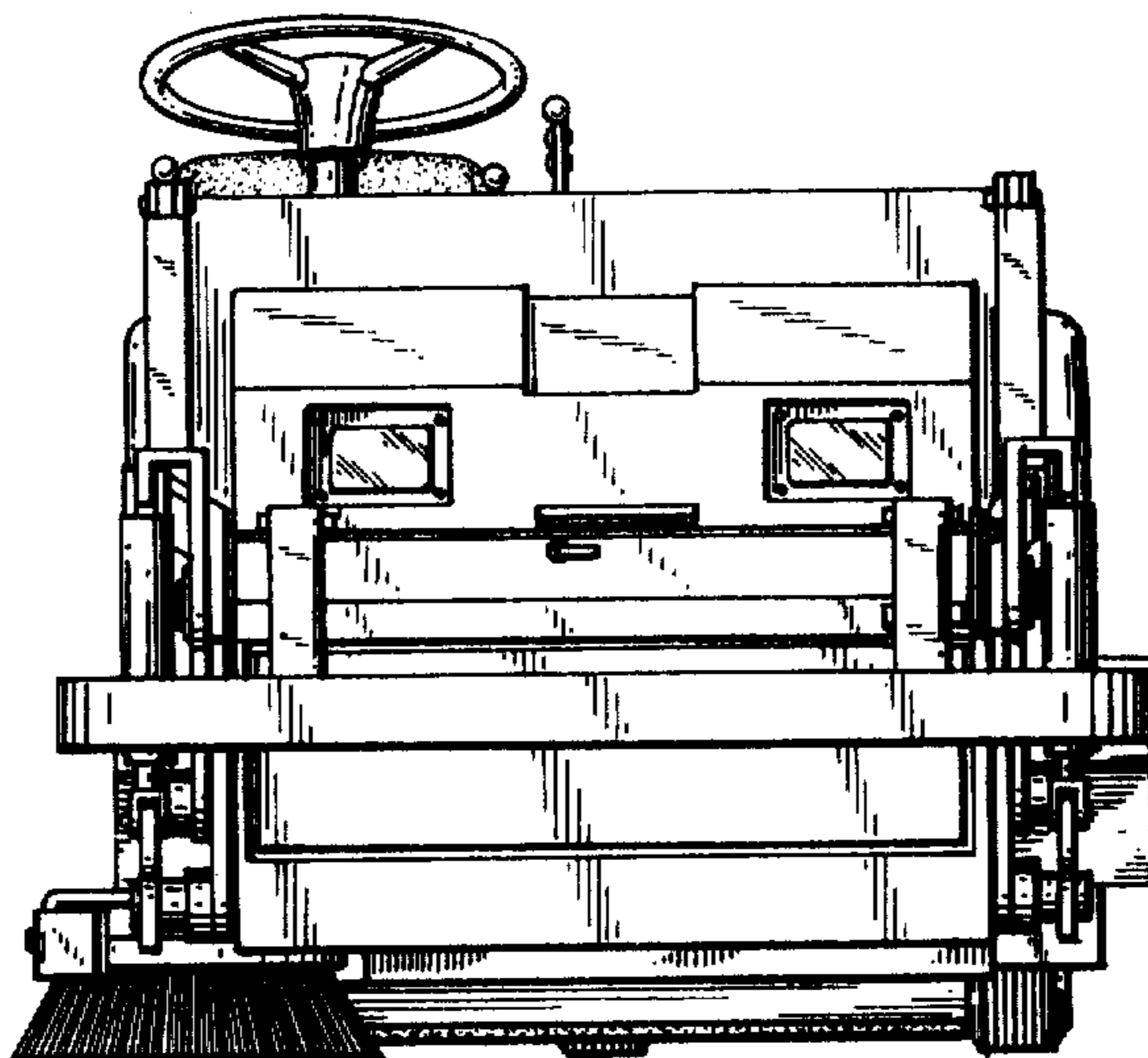


FIG. 6

