

[54] BRACKET FOR MOUNTING LIQUIFIED PETROLEUM GAS TANKS

[76] Inventor: George H. Landry, 4669 Pardee, Dearborn Heights, Mich. 48125

[**] Term: 14 Years

[21] Appl. No.: 289,475

[22] Filed: Aug. 3, 1981

[52] U.S. Cl. D23/2

[58] Field of Search D23/2; D8/354, 367; D6/102, 120, 137; 248/294, 310, 312, 315

[56] References Cited

U.S. PATENT DOCUMENTS

D. 222,799	1/1972	Hughes	D8/354
D. 232,917	9/1974	Vincent	D8/354
D. 251,343	3/1979	Hansen	D6/137

Primary Examiner—Wallace R. Burke

Assistant Examiner—Lynn Wilder

Attorney, Agent, or Firm—Cullen, Sloman, Cantor, Grauer, Scott & Rutherford

[57] CLAIM

The ornamental design for a bracket for mounting liquified petroleum gas tanks, as shown and described.

DESCRIPTION

FIG. 1 is a left side elevational view of a bracket for mounting liquified petroleum gas tanks showing my new design;

FIG. 2 is a right side elevational view thereof;

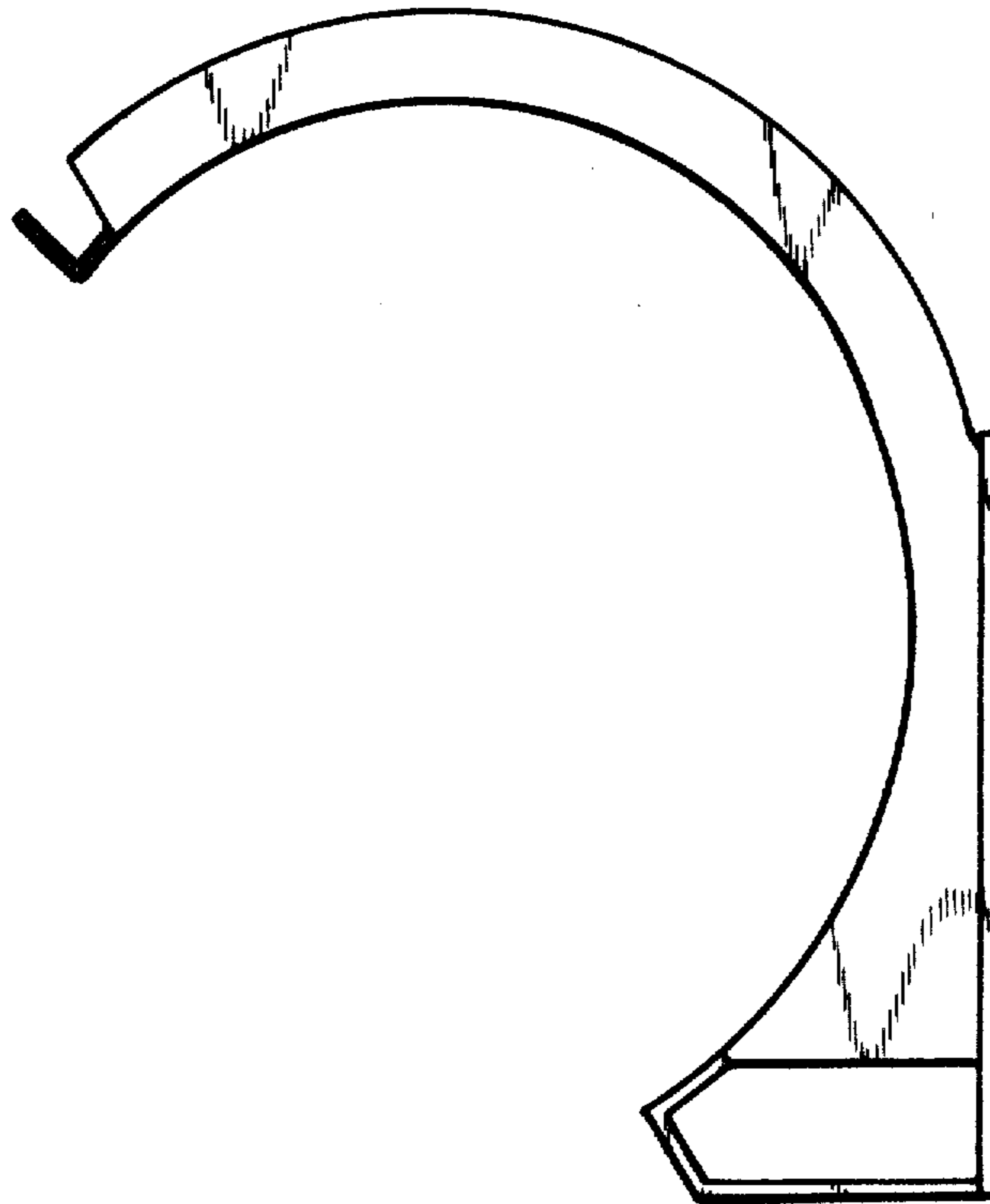
FIG. 3 is a front elevational view thereof;

FIG. 4 is a rear elevational view thereof;

FIG. 5 is a top plan view thereof; and

FIG. 6 is a bottom plan view thereof.

The present design is characterized by an ovate overall configuration having a pentagonal lower end, one leg thereof being tangential to the radius of the ovate portion to provide a continuous arc. The open interior of the lower end contrasts with the essentially solid appearance of the major portion.



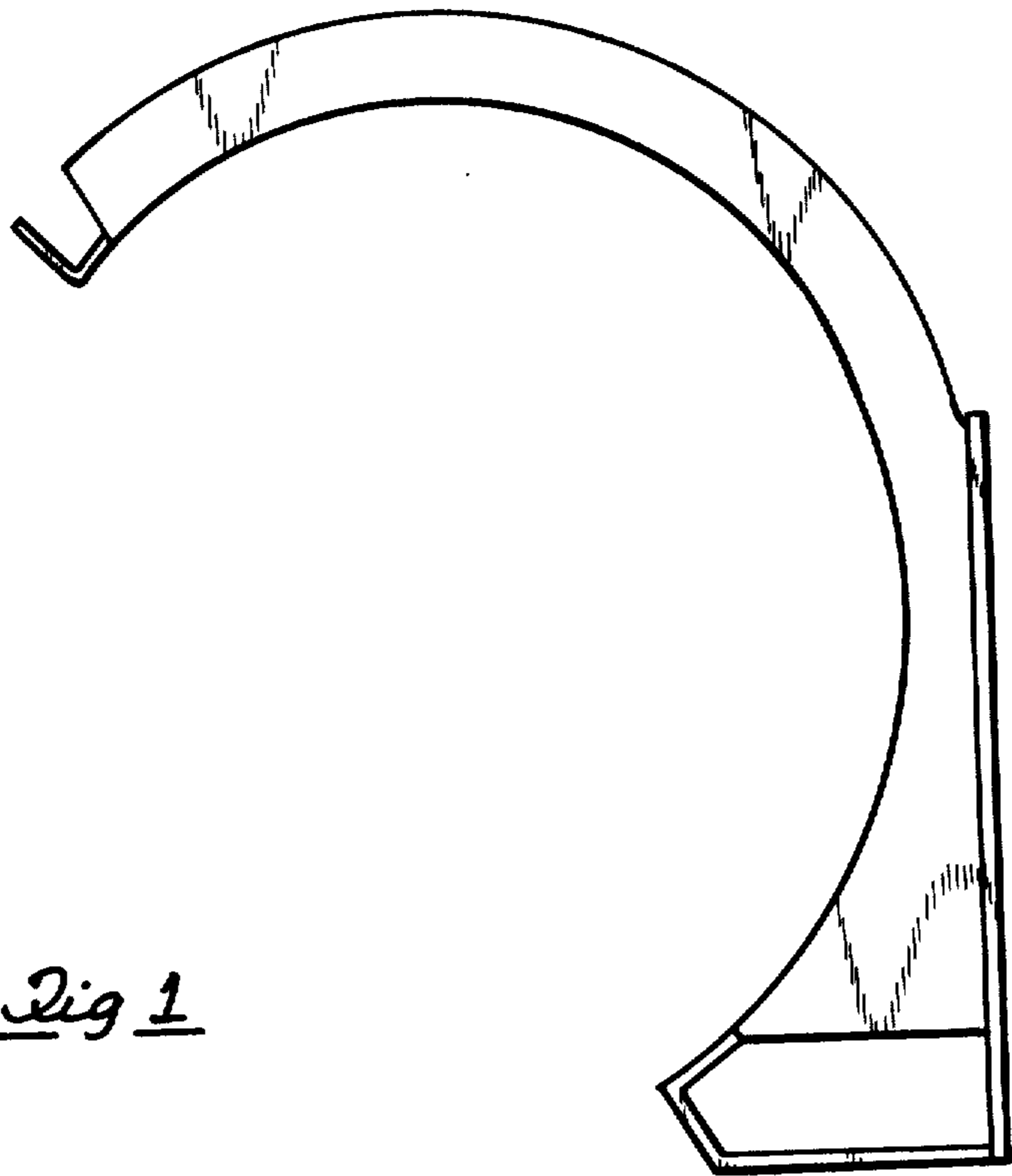


Fig 1

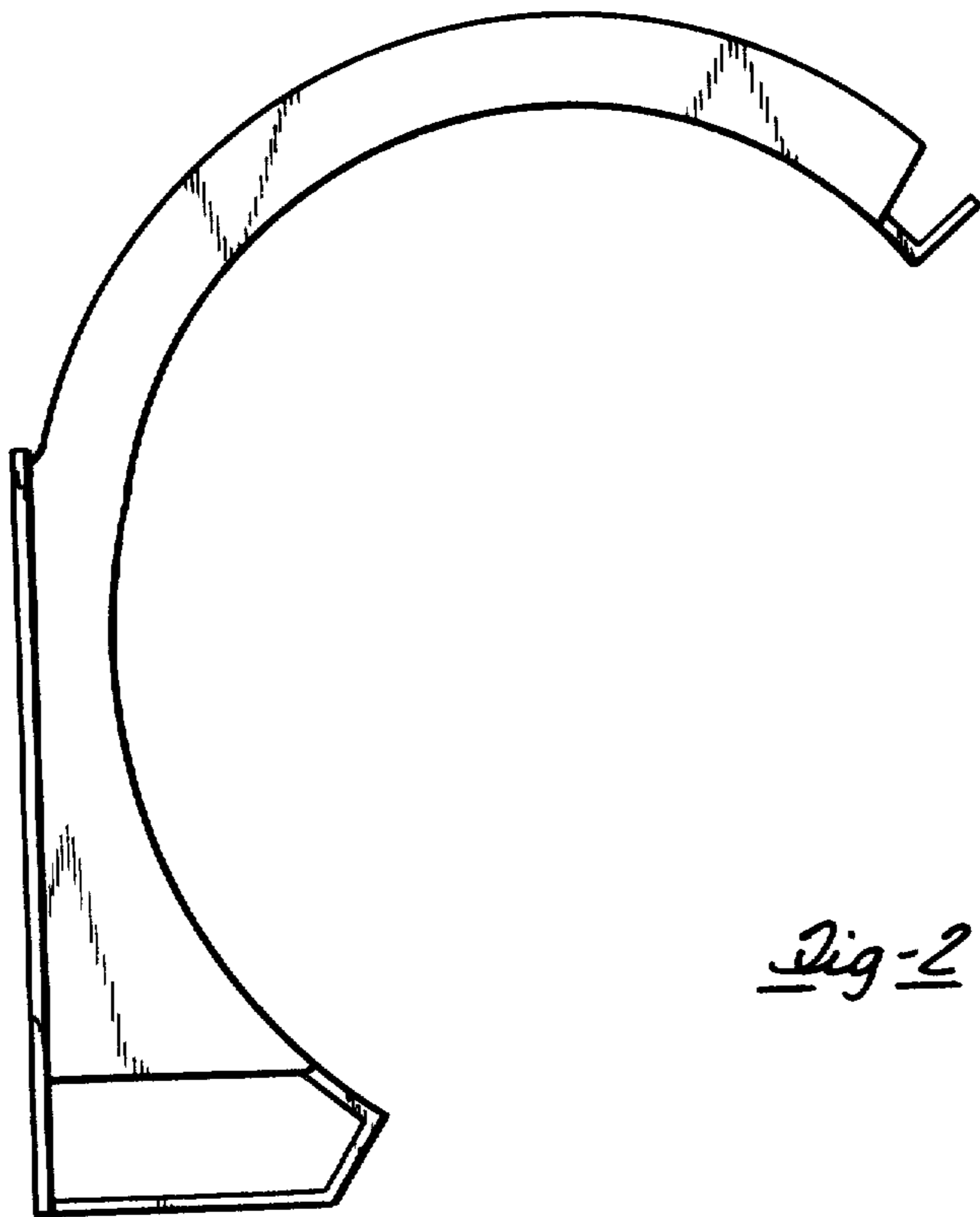


Fig 2

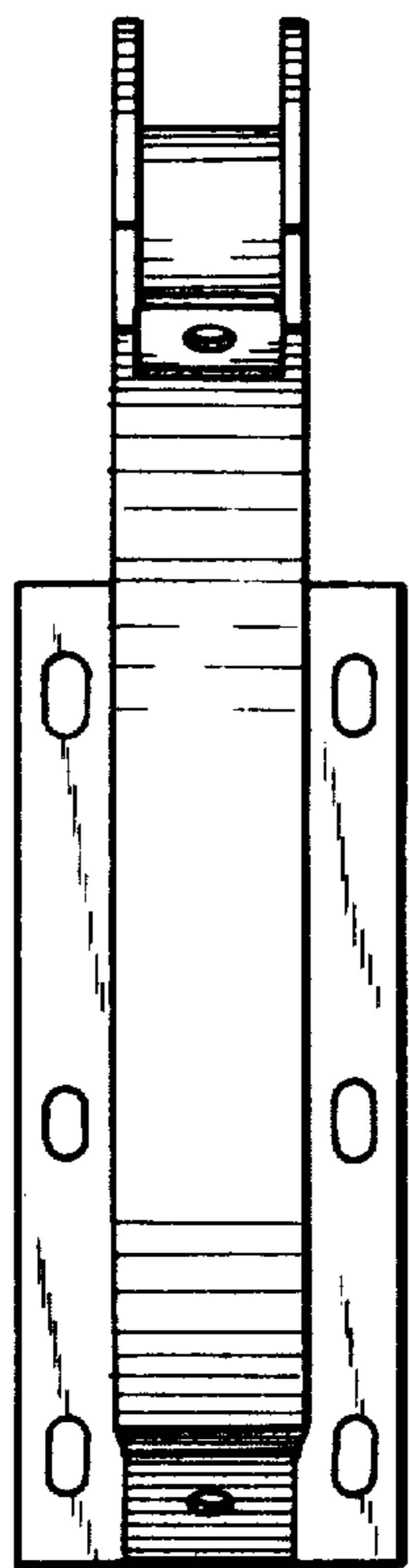


Fig-3

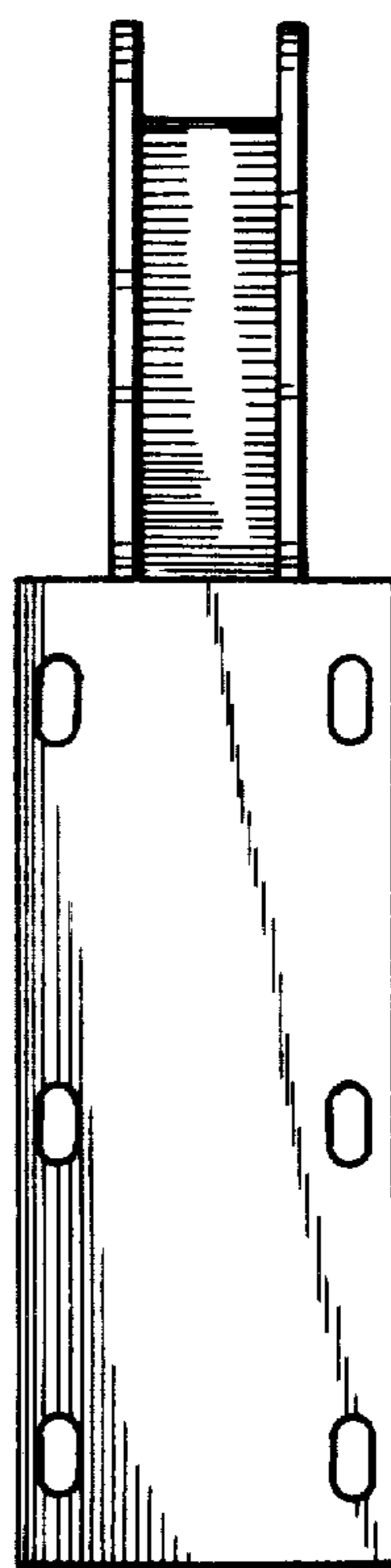


Fig-4

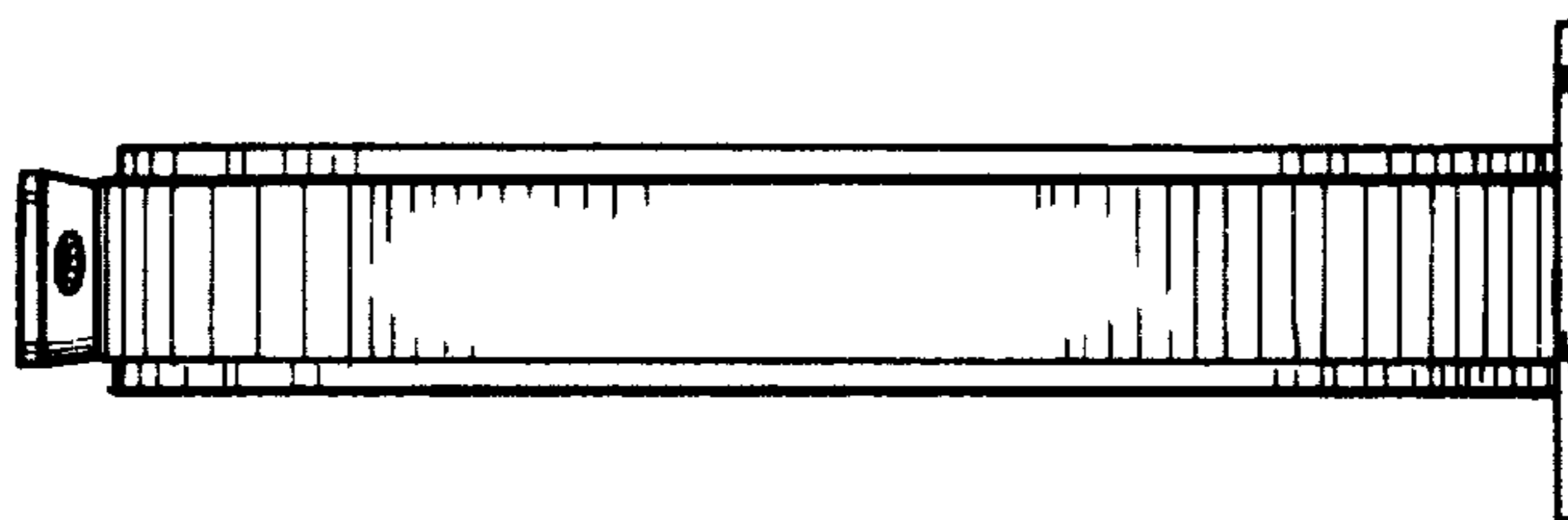


Fig-5

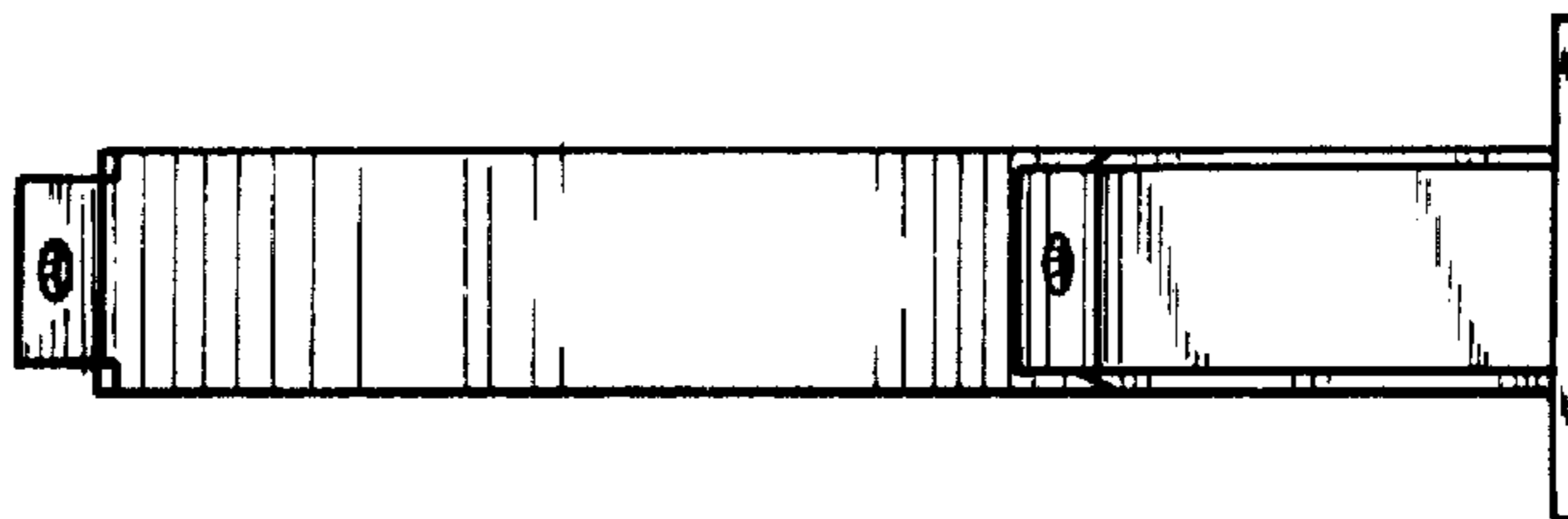


Fig-6