

[54] **TOY VEHICLE**

[56]

References Cited

U.S. PATENT DOCUMENTS

[75] **Inventor: Kenneth R. Wilkes, East Aurora, N.Y.**

D. 147,544	9/1947	Feder	D21/141
D. 210,610	3/1968	Ryan et al.	D21/128
D. 254,262	2/1980	Swearingen	D21/76
D. 255,258	6/1980	Lukes	D21/137

[73] **Assignee: The Quaker Oats Company, Chicago, Ill.**

Primary Examiner—Charles A. Rademaker
Attorney, Agent, or Firm—Cumpston & Shaw

[**] **Term: 14 Years**

[57] **CLAIM**

The ornamental design for a toy vehicle, substantially as shown and described.

[21] **Appl. No.: 345,628**

DESCRIPTION

[22] **Filed: Feb. 4, 1982**

FIG. 1 is a rear elevational view of a toy vehicle showing my new design;

[52] **U.S. Cl. D21/128**

FIG. 2 is a top plan view thereof;

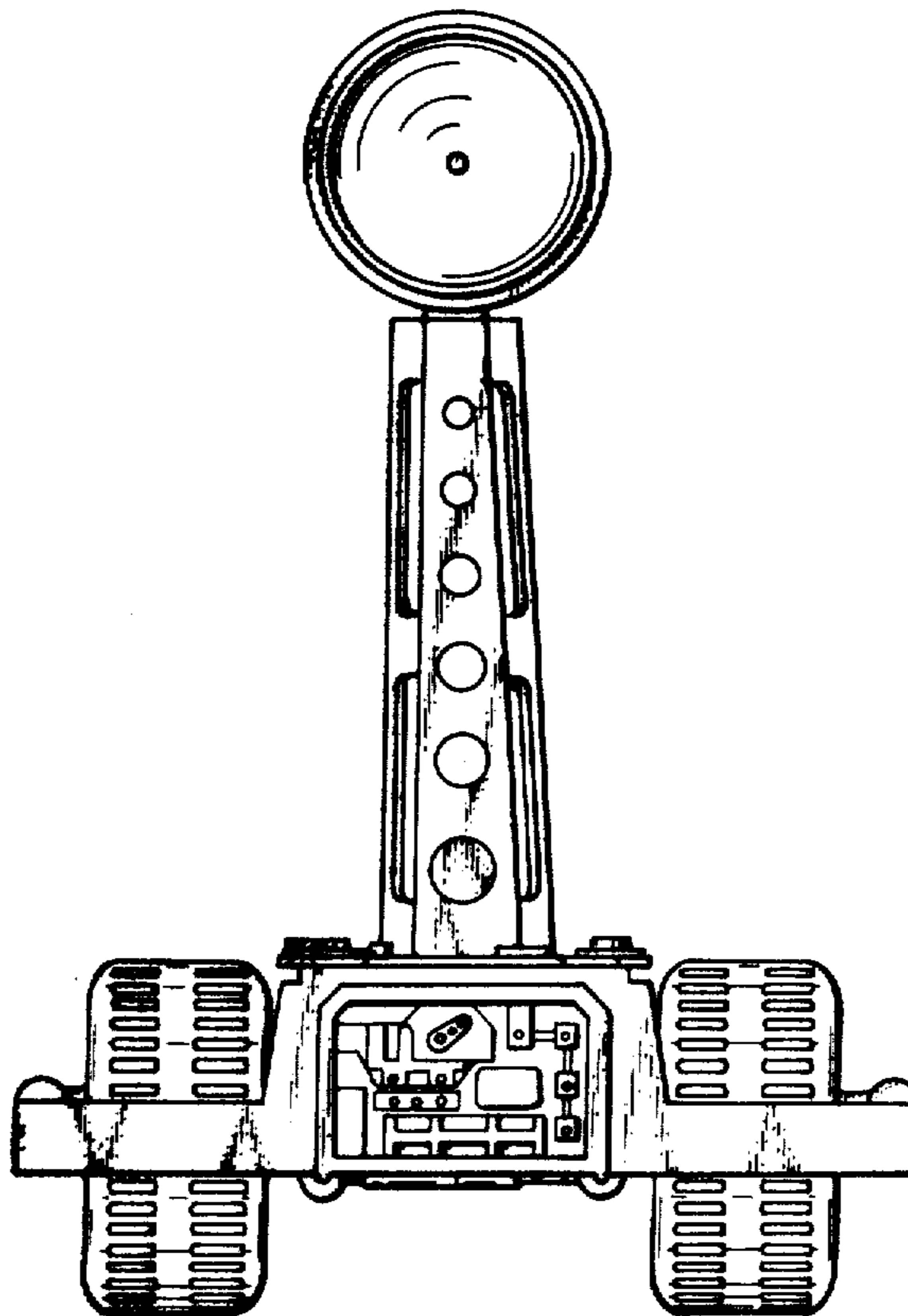
[58] **Field of Search D12/8, 1, 5; D21/76,**

FIG. 3 is a bottom plan view thereof;

D21/78, 80, 128, 134, 136, 137, 140; 46/201, 210, 222

FIG. 4 is a right side elevational view thereof, the left side being substantially a mirror image; and

FIG. 5 is a front elevational view thereof.



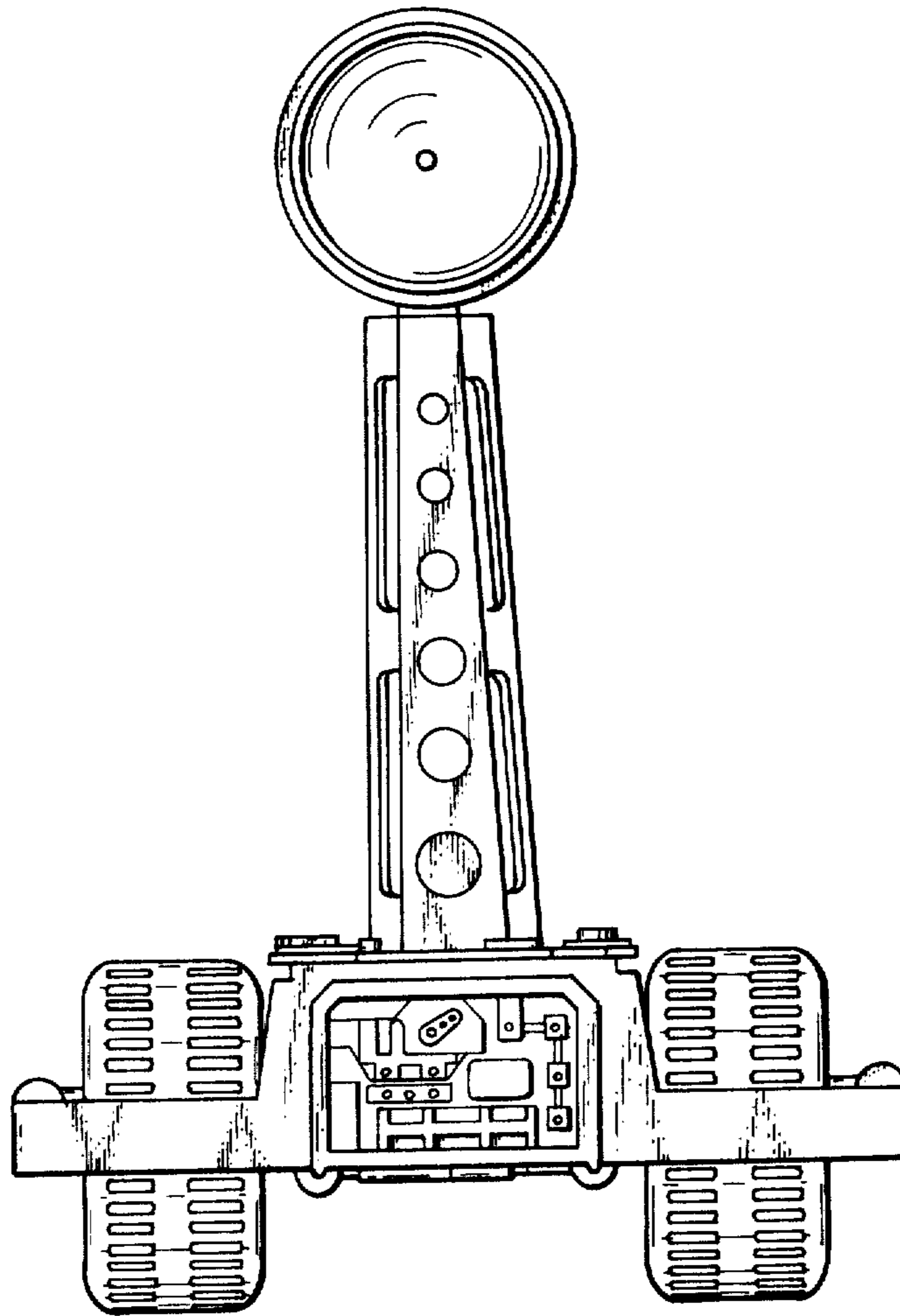


FIG. 1

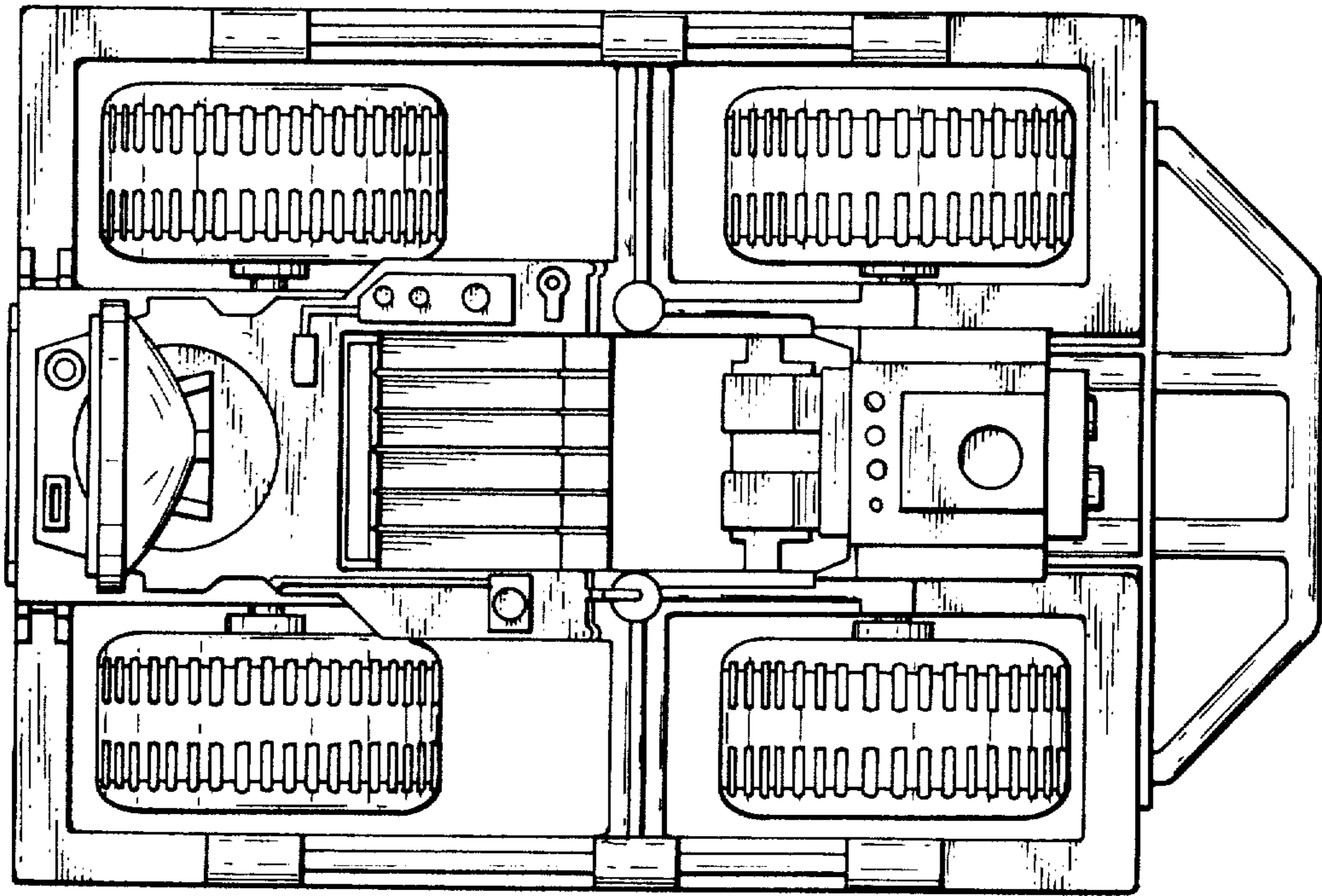


FIG. 2

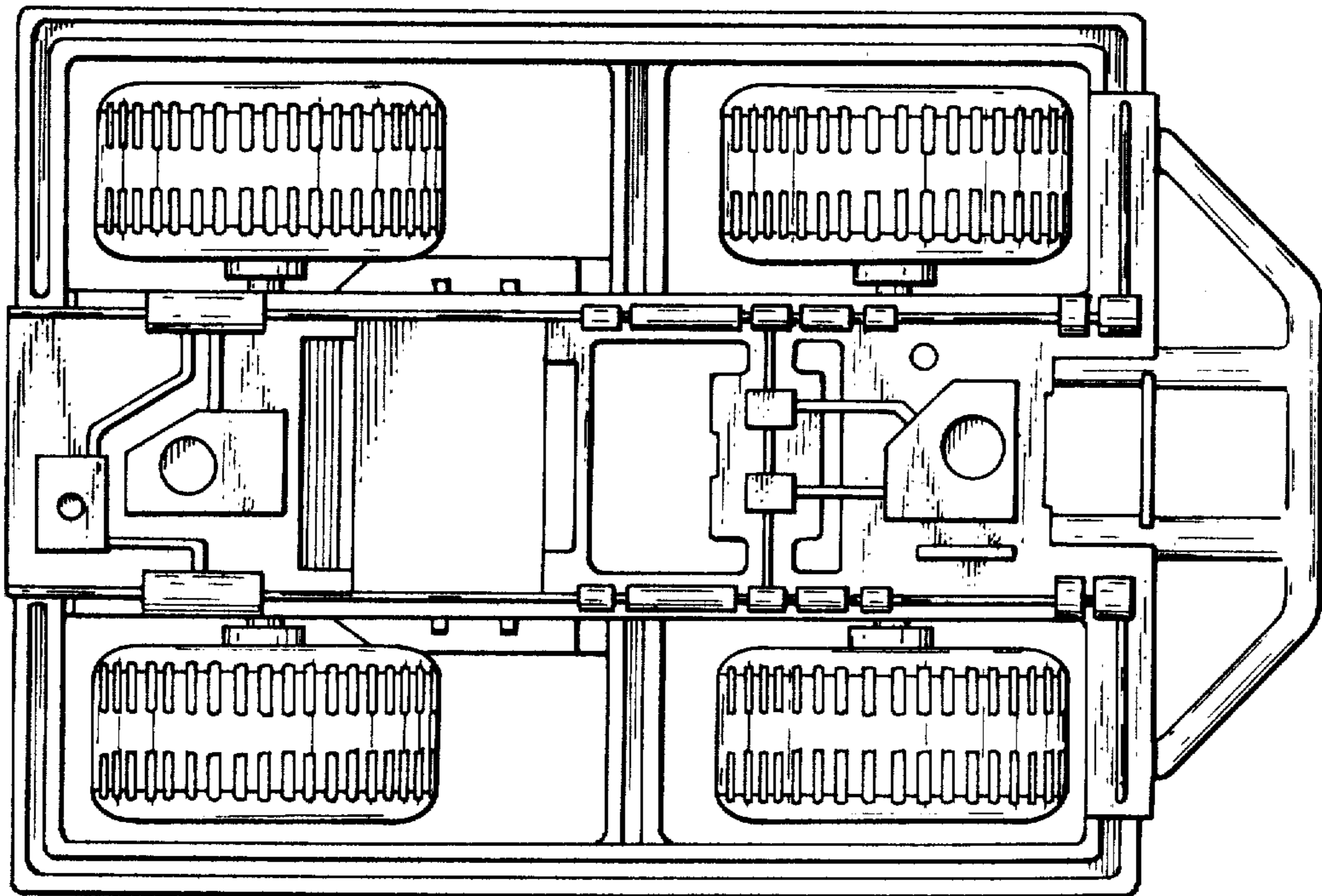


FIG. 3

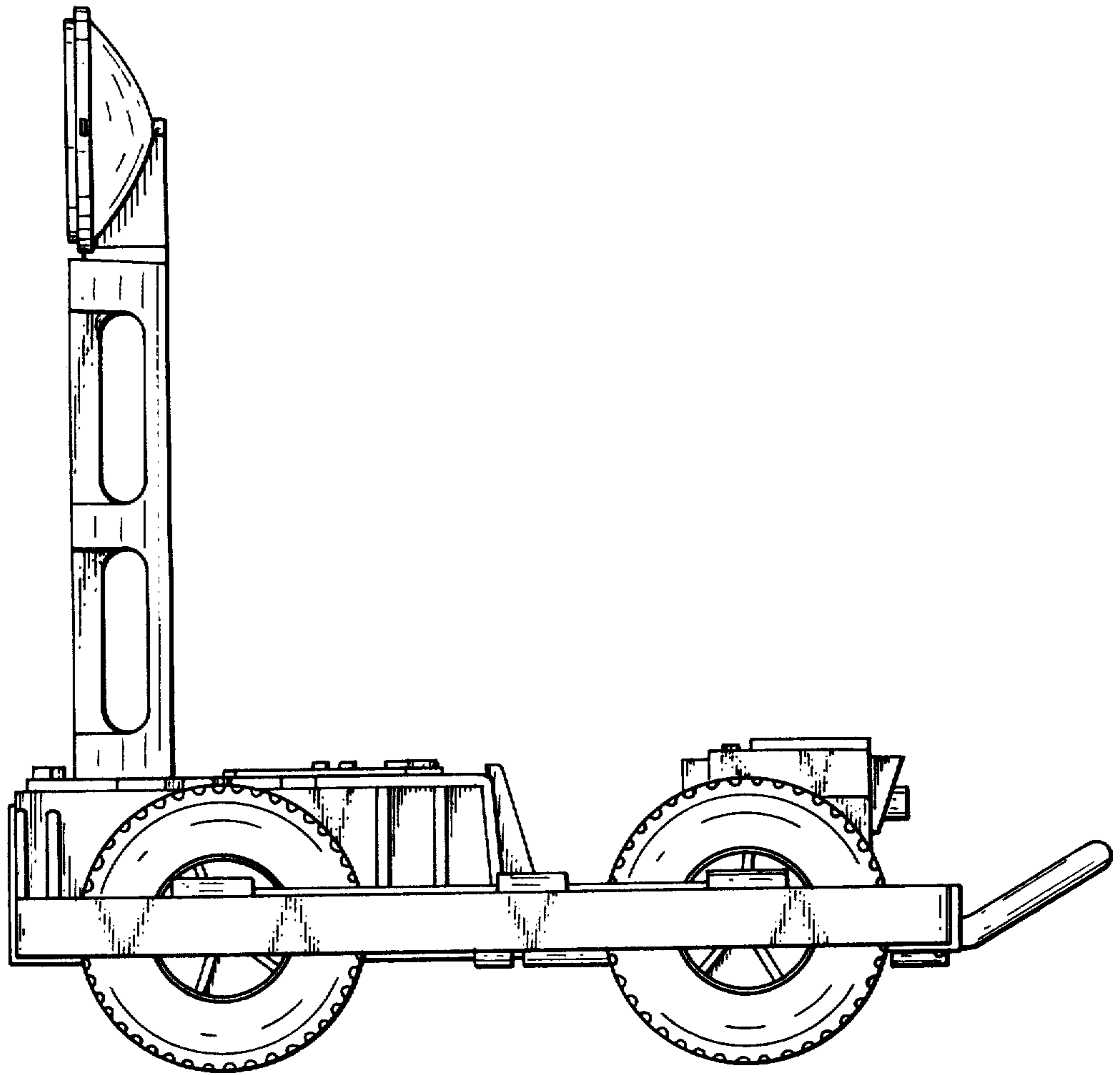


FIG. 4

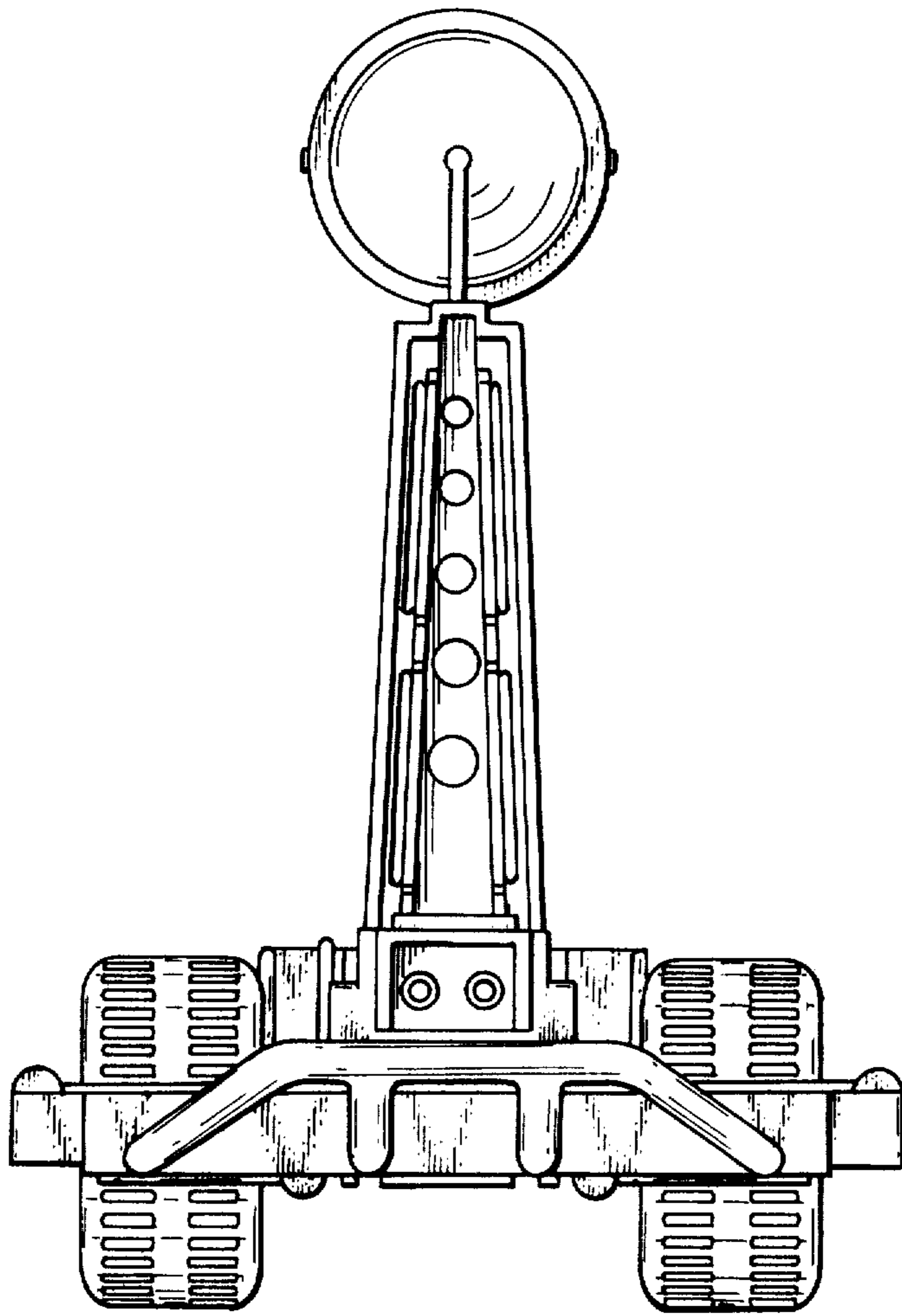


FIG. 5