

[54] SIGN

[75] Inventor: Bo Waldecrantz, Nykvarn, Sweden

[73] Assignee: Nykvarns Skylt AB, Sweden

[\*\*] Term: 14 Years

[21] Appl. No.: 257,935

[22] Filed: Apr. 27, 1981

[52] U.S. Cl. .... D20/44

[58] Field of Search ..... D20/44; D25/74; 40/16, 40/10 R, 12, 16.2, 16.4, 17

[56] References Cited

U.S. PATENT DOCUMENTS

D. 115,247	6/1939	Bonnell .....	D25/74
D. 161,748	1/1951	Greiling .....	D20/44
D. 190,361	5/1961	Hopp .....	D20/44
775,044	11/1904	Mooser et al. .	
824,483	6/1906	Johnson .	
1,447,889	3/1923	Reuschlein .	
1,694,639	12/1928	Brown .	
1,831,287	11/1931	Clark .	
1,970,822	8/1934	Sommers .	
3,156,056	11/1964	Pribil .	
3,168,787	2/1965	Surrey .	
3,288,543	11/1966	Sugerman .	
3,995,387	12/1976	Lotts .	

FOREIGN PATENT DOCUMENTS

1239369	7/1960	France .
822559	10/1959	United Kingdom .
954845	4/1964	United Kingdom .
1347046	2/1974	United Kingdom .

Primary Examiner—Catherine E. Kemper  
Attorney, Agent, or Firm—Lerner, David, Littenberg, Krumholz & Mentlik

[57] CLAIM

The ornamental design for a sign, substantially as shown and described.

DESCRIPTION

FIG. 1 is a rear perspective view of a sign showing my new design;  
FIG. 2 is a front perspective view thereof;

FIG. 3 is a top plan view, the bottom plan view being identical thereto;  
FIG. 4 is a right end view, the left end view being identical thereto;  
FIG. 5 is a rear perspective view of a sign showing a second embodiment of my new design;  
FIG. 6 is a front perspective view of such second embodiment;  
FIG. 7 is a top plan view of such second embodiment, the bottom plan view being identical thereto;  
FIG. 8 is a right end view of such second embodiment, the left end view being identical thereto;  
FIG. 9 is a rear perspective view of a sign showing a third embodiment of my new design;  
FIG. 10 is a front perspective view of such third embodiment;  
FIG. 11 is a top plan view of such third embodiment, the bottom plan view being identical thereto;  
FIG. 12 is a right end view of such third embodiment, the left end view being identical thereto;  
FIG. 13 is a rear perspective view of a sign showing a fourth embodiment of my new design;  
FIG. 14 is a front perspective view of such fourth embodiment;  
FIG. 15 is a top plan view of such fourth embodiment, the bottom plan view being identical thereto;  
FIG. 16 is a right end view of such fourth embodiment, the left end view being identical thereto;  
FIG. 17 is a rear perspective view of a sign showing a fifth embodiment of my new design;  
FIG. 18 is a front perspective view of such fifth embodiment;  
FIG. 19 is a top plan view of such fifth embodiment, the bottom plan view being identical thereto;  
FIG. 20 is a right end view of such fifth embodiment, the left end view being identical thereto;  
FIG. 21 is a rear perspective view of a sign showing a sixth embodiment of my new design;  
FIG. 22 is a front perspective view of such sixth embodiment;  
FIG. 23 is a top plan view of such sixth embodiment, the bottom plan view being identical thereto;  
FIG. 24 is a right end view of such sixth embodiment, the left end view being identical thereto;  
FIG. 25 is a rear perspective view of a sign showing a seventh embodiment of my new design;

**Des. 273,596**

Page 2

---

FIG. 26 is a front perspective view of such seventh embodiment;

FIG. 27 is a top plan view of such seventh embodiment, the bottom plan view being identical thereto;

FIG. 28 is a right end view of such seventh embodiment, the left end view being identical thereto;

FIG. 29 is a rear perspective view of a sign showing an eighth embodiment of my new design;

FIG. 30 is a front perspective view of such eighth embodiment;

FIG. 31 is a top plan view of such eighth embodiment, the bottom plan view being identical thereto; and

FIG. 32 is a right end view of such eighth embodiment, the left end view being identical thereto.

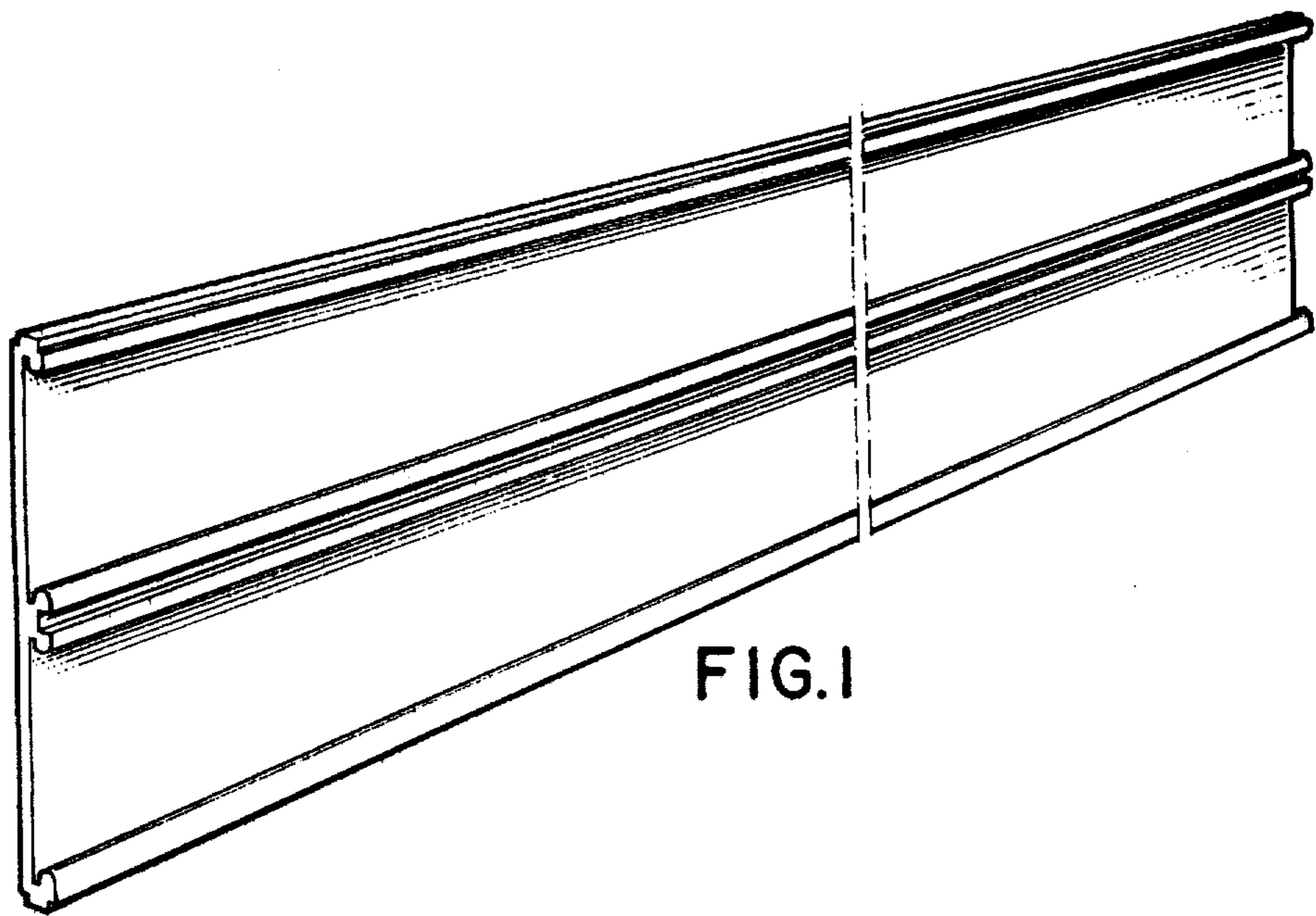


FIG. 1

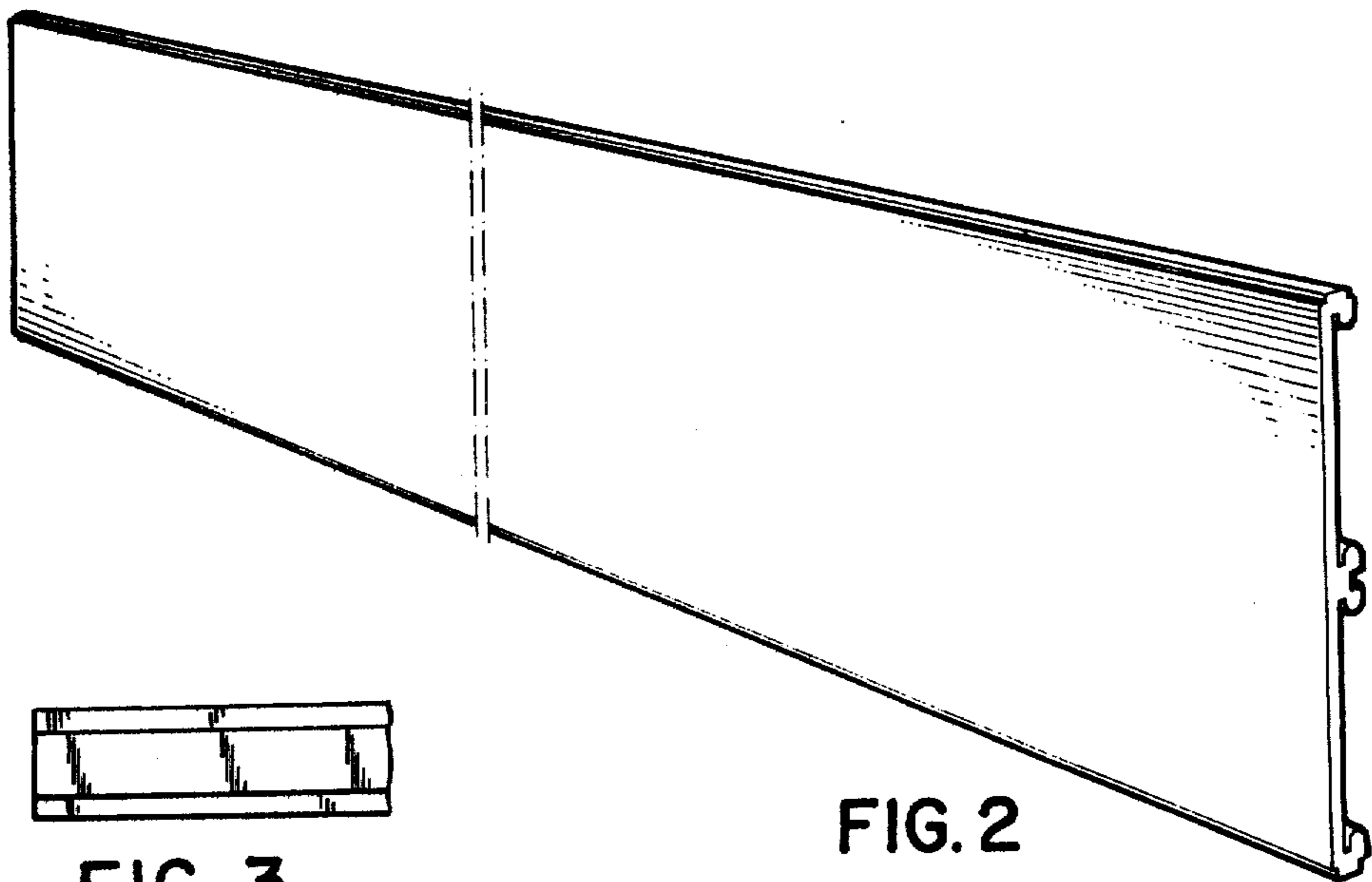


FIG. 2



FIG. 3



FIG. 4

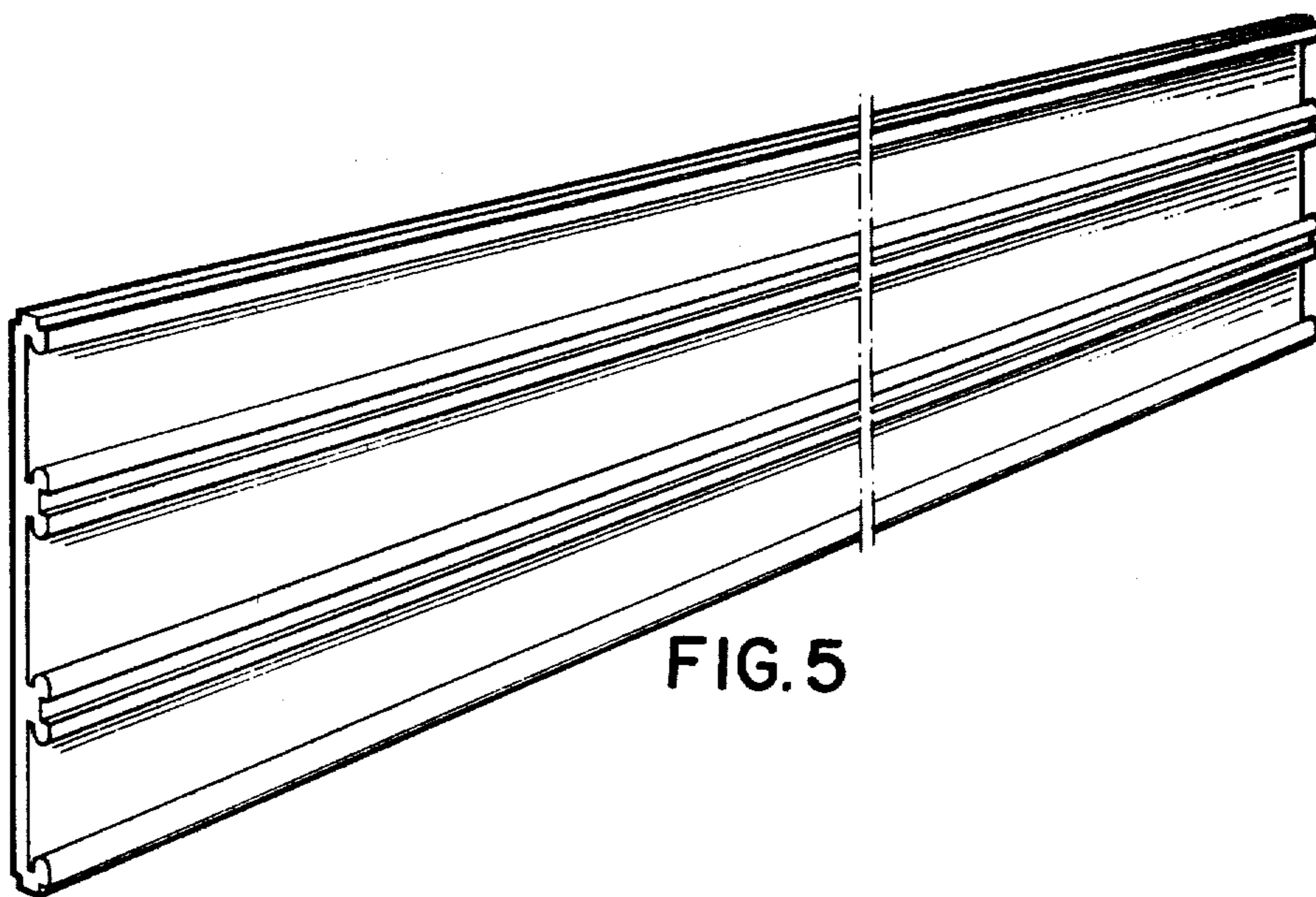


FIG. 5

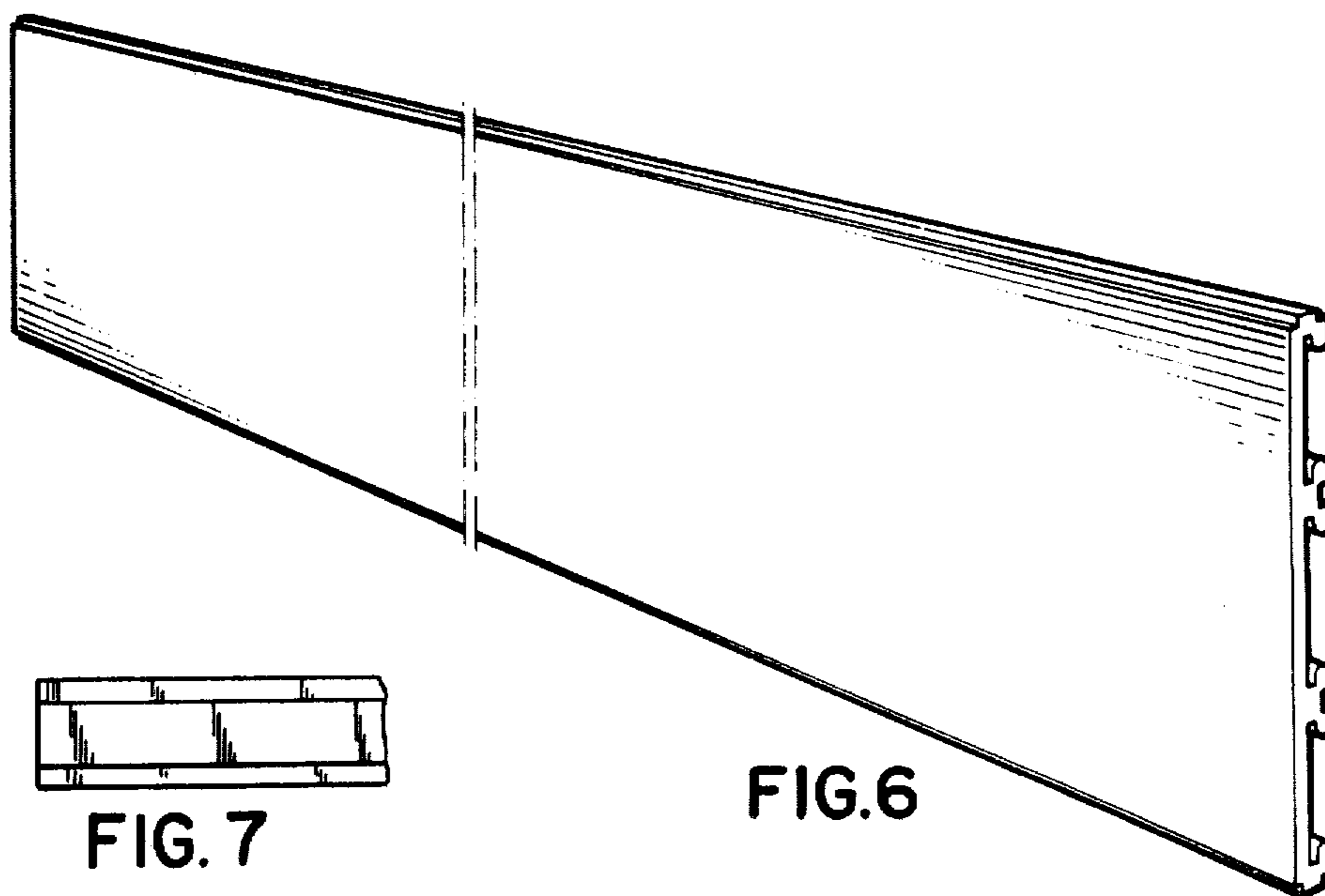


FIG. 6



FIG. 7



FIG. 8



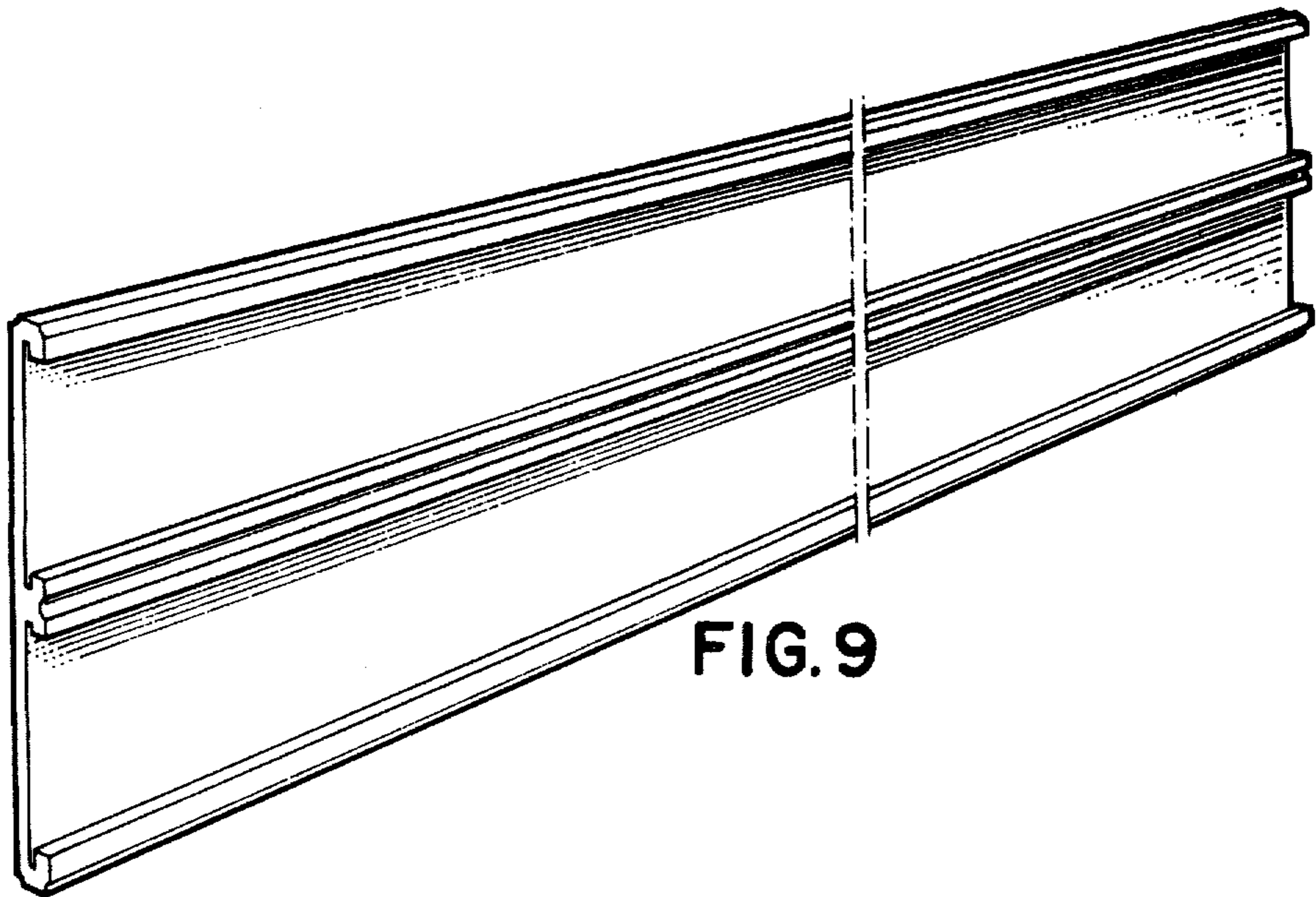


FIG. 9

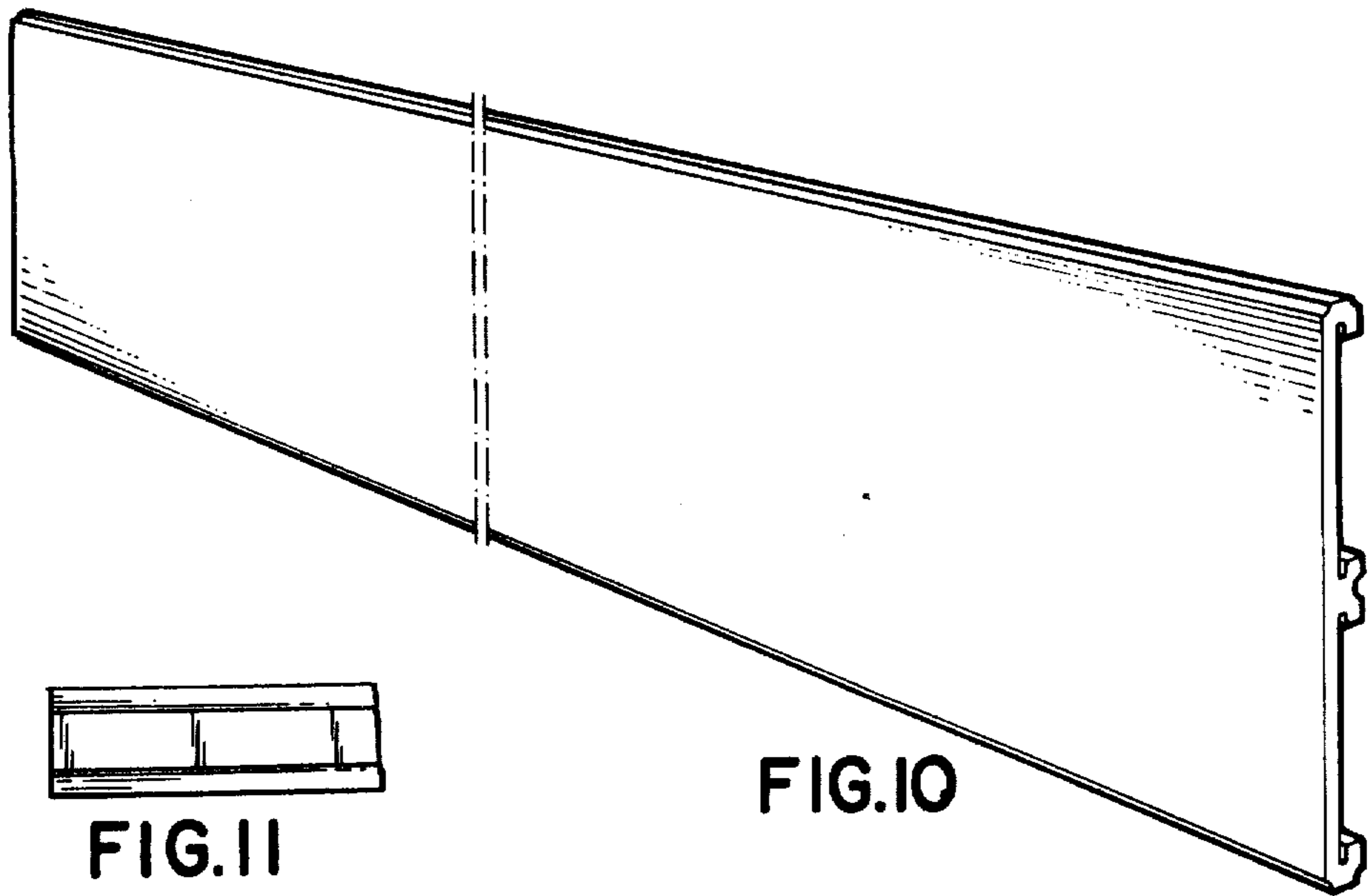


FIG. 10

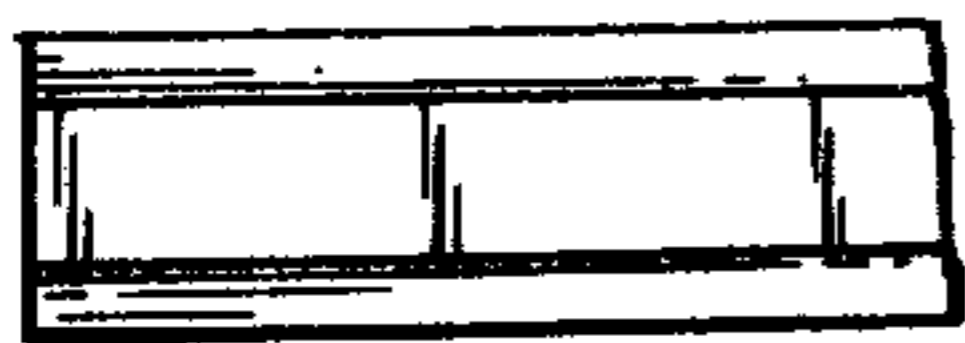


FIG. 11



FIG. 12

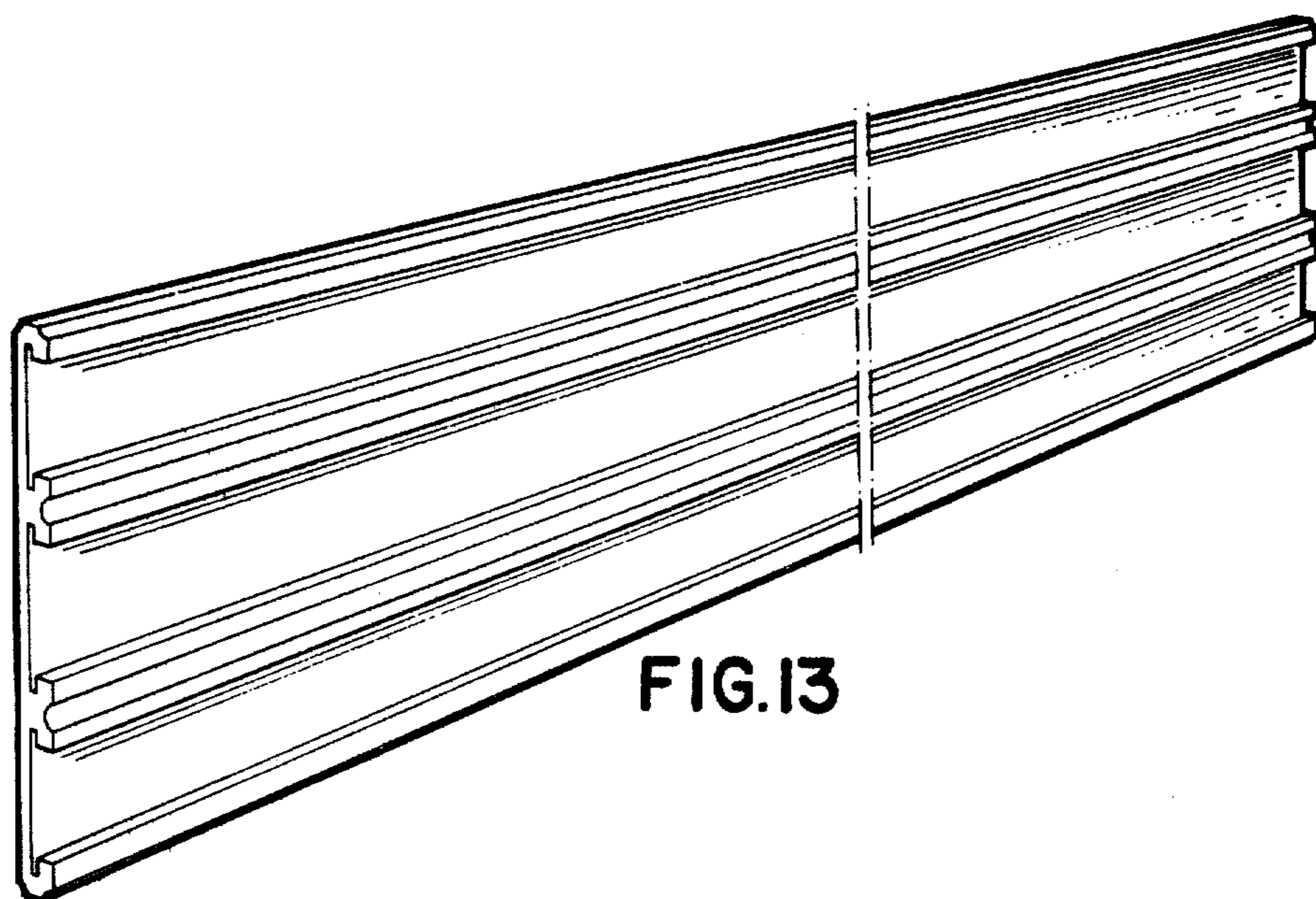


FIG.13

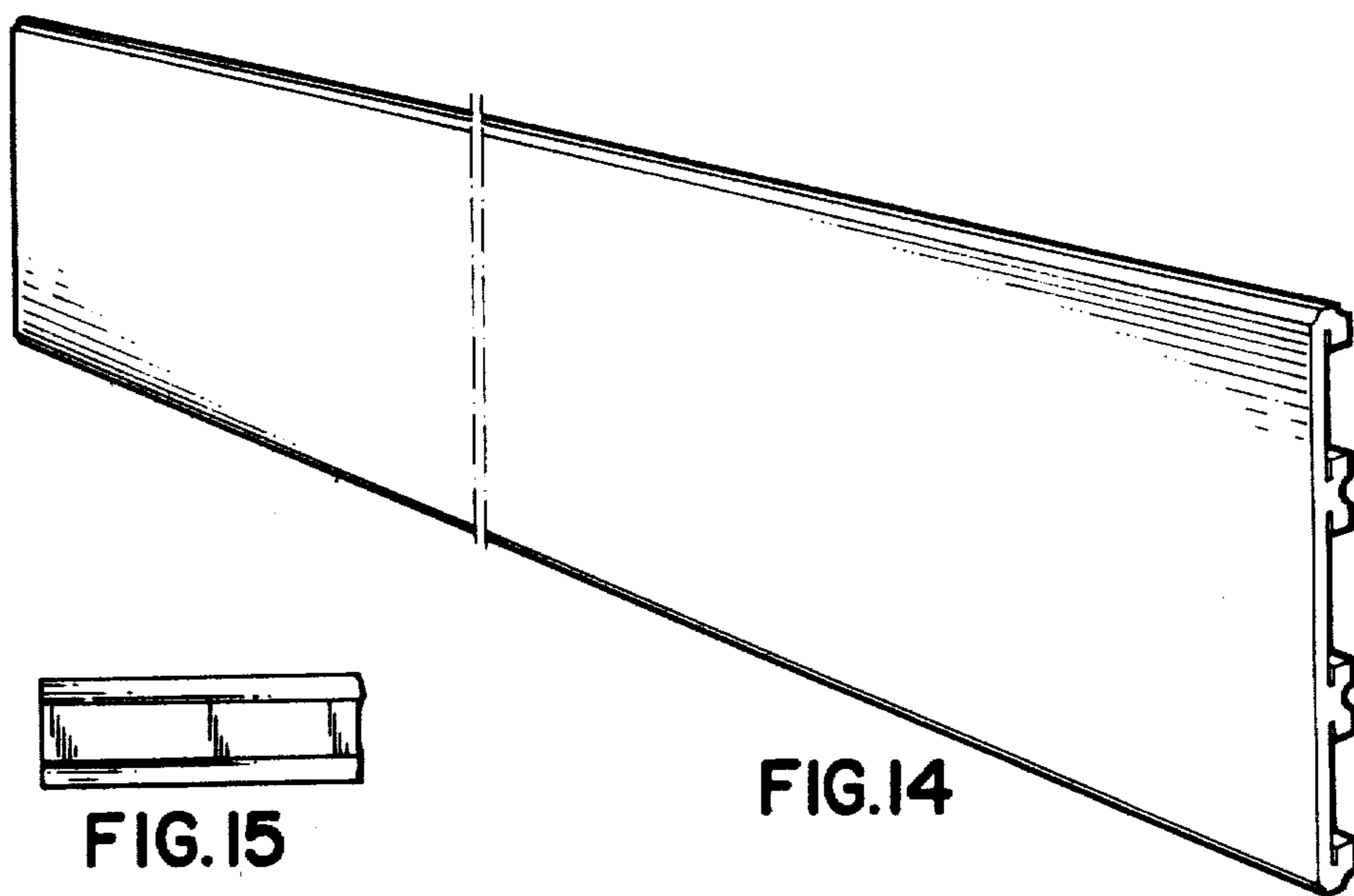


FIG.14

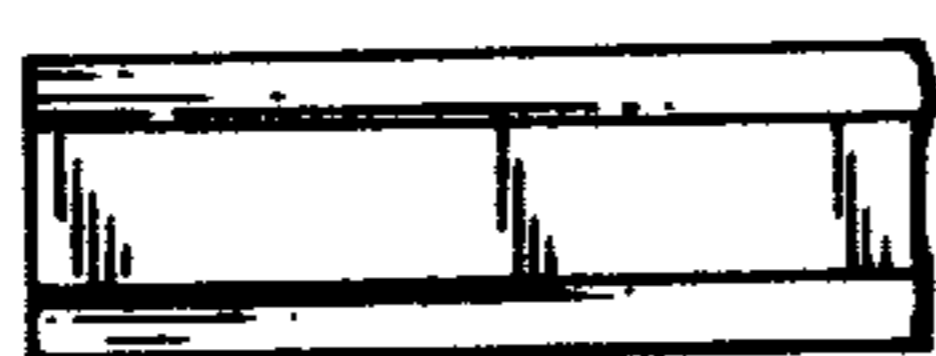


FIG.15



FIG.16

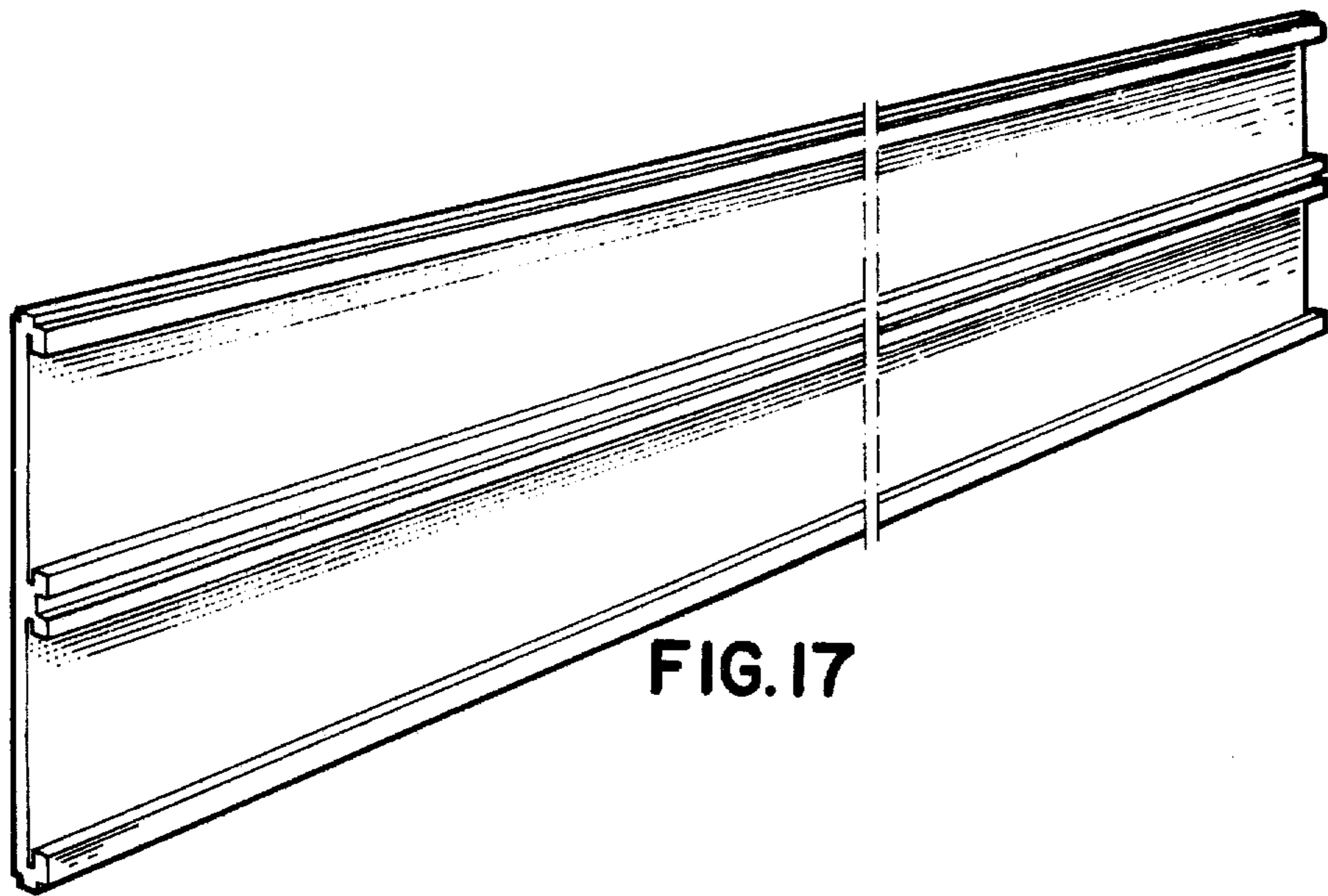


FIG.17

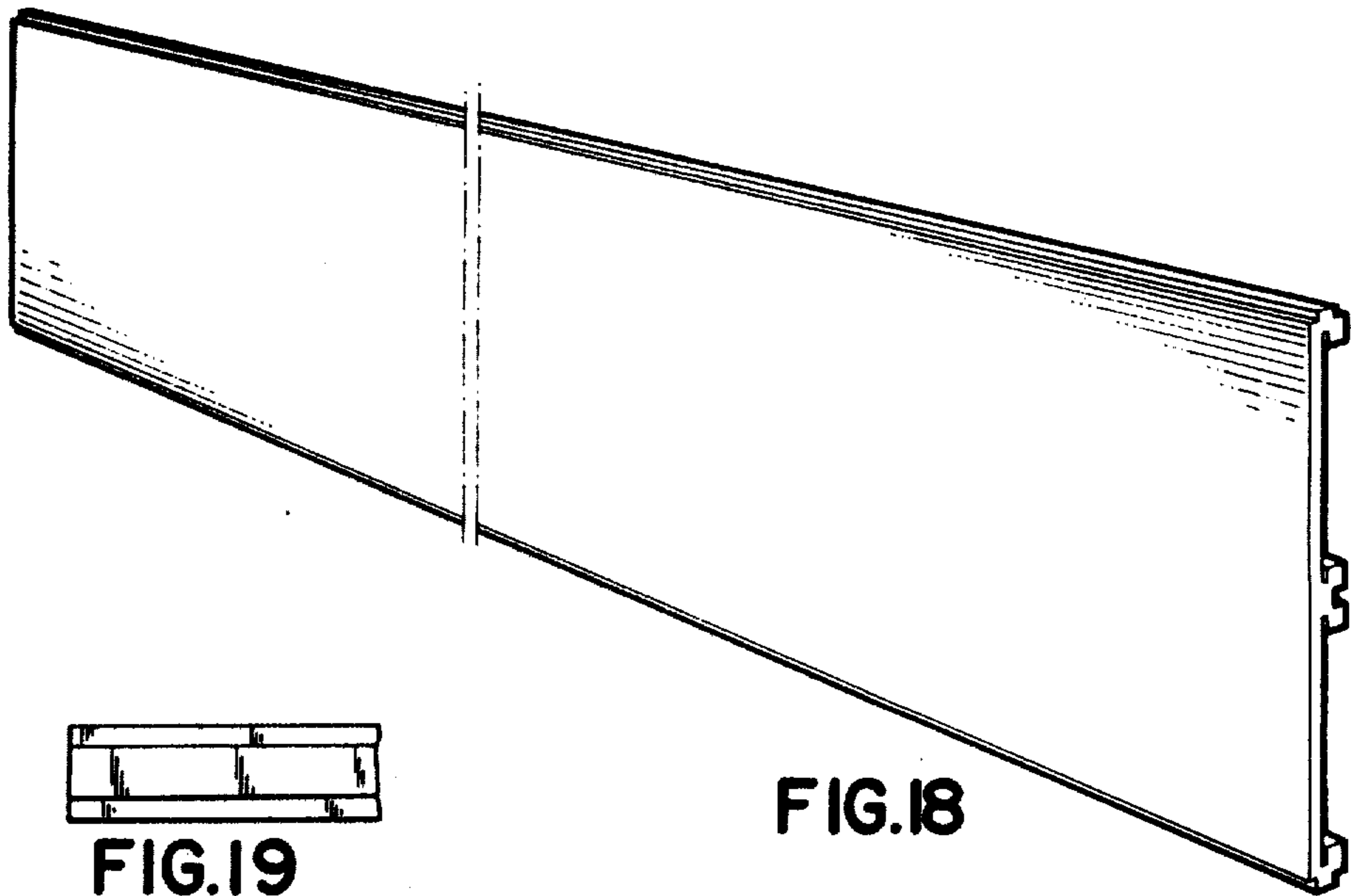


FIG.18



FIG.19



FIG.20

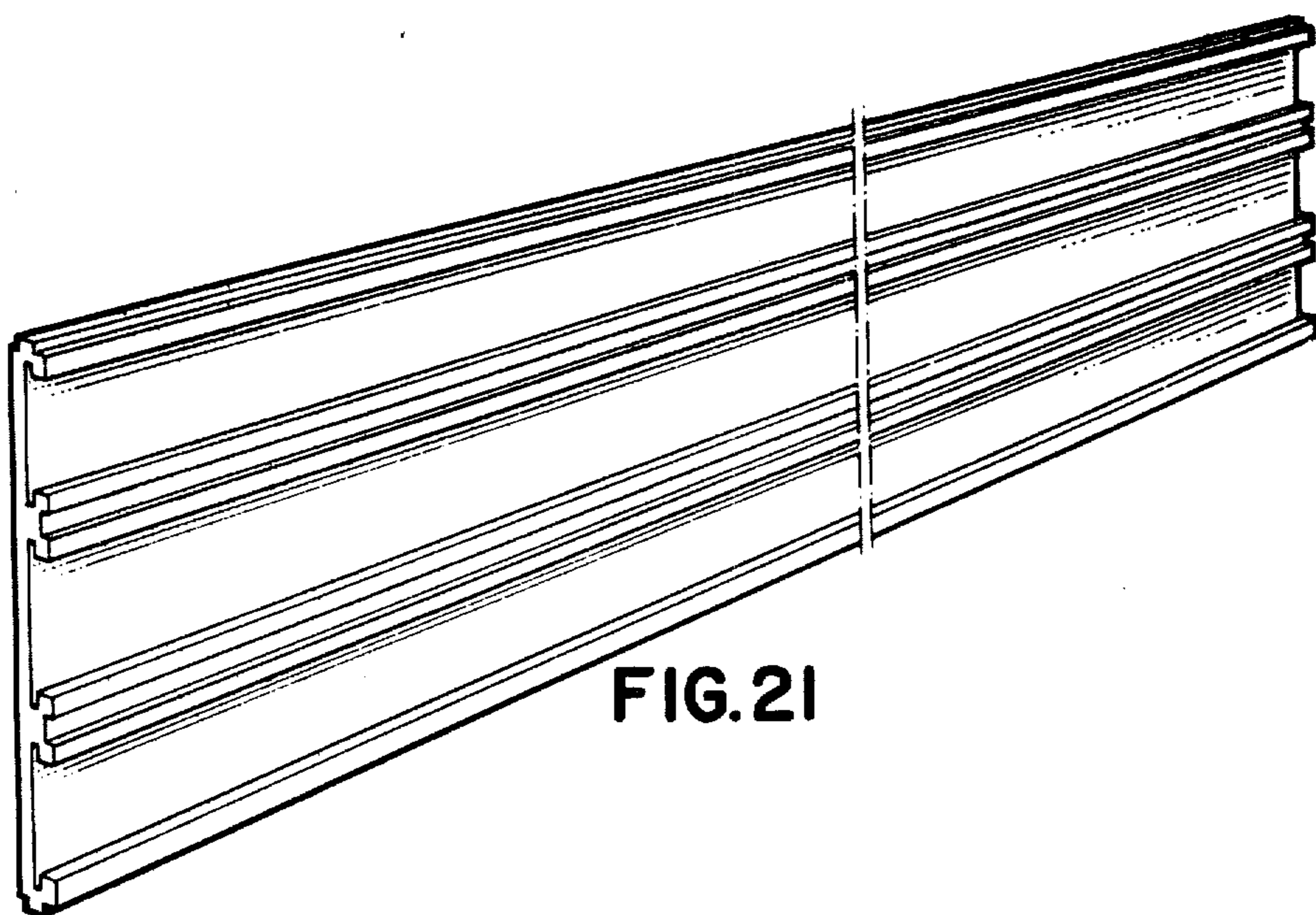


FIG. 21

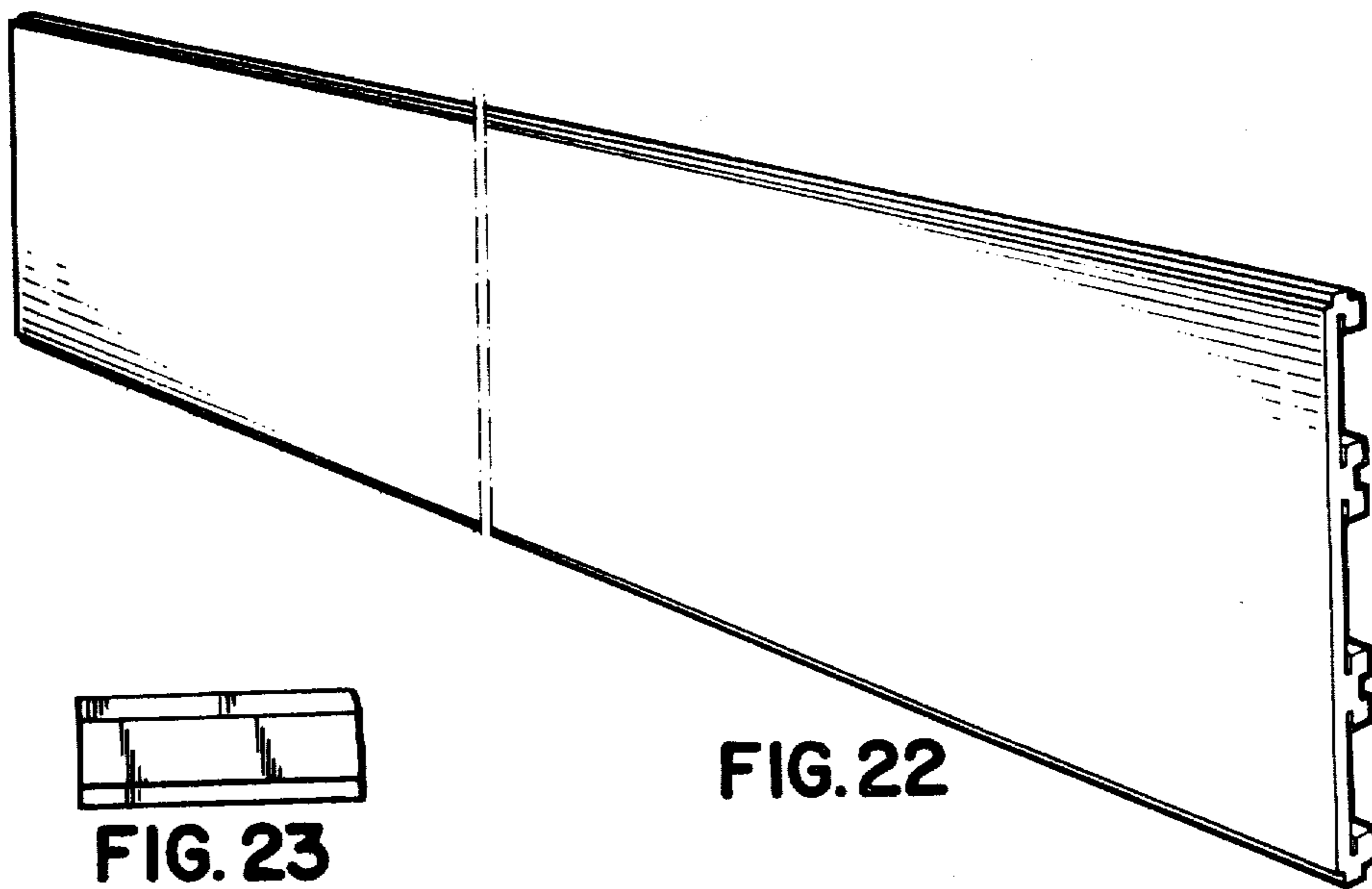


FIG. 22

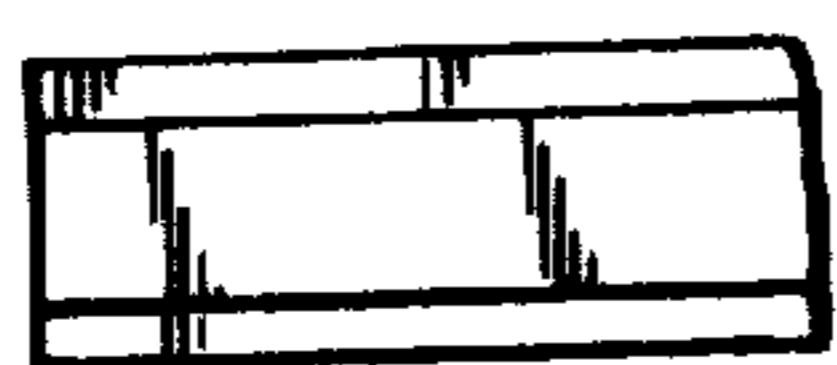


FIG. 23

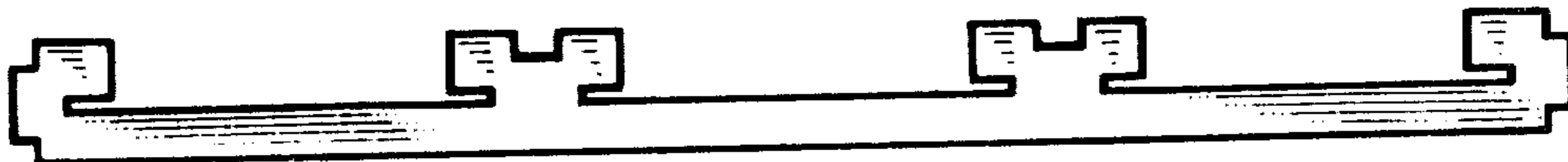


FIG. 24



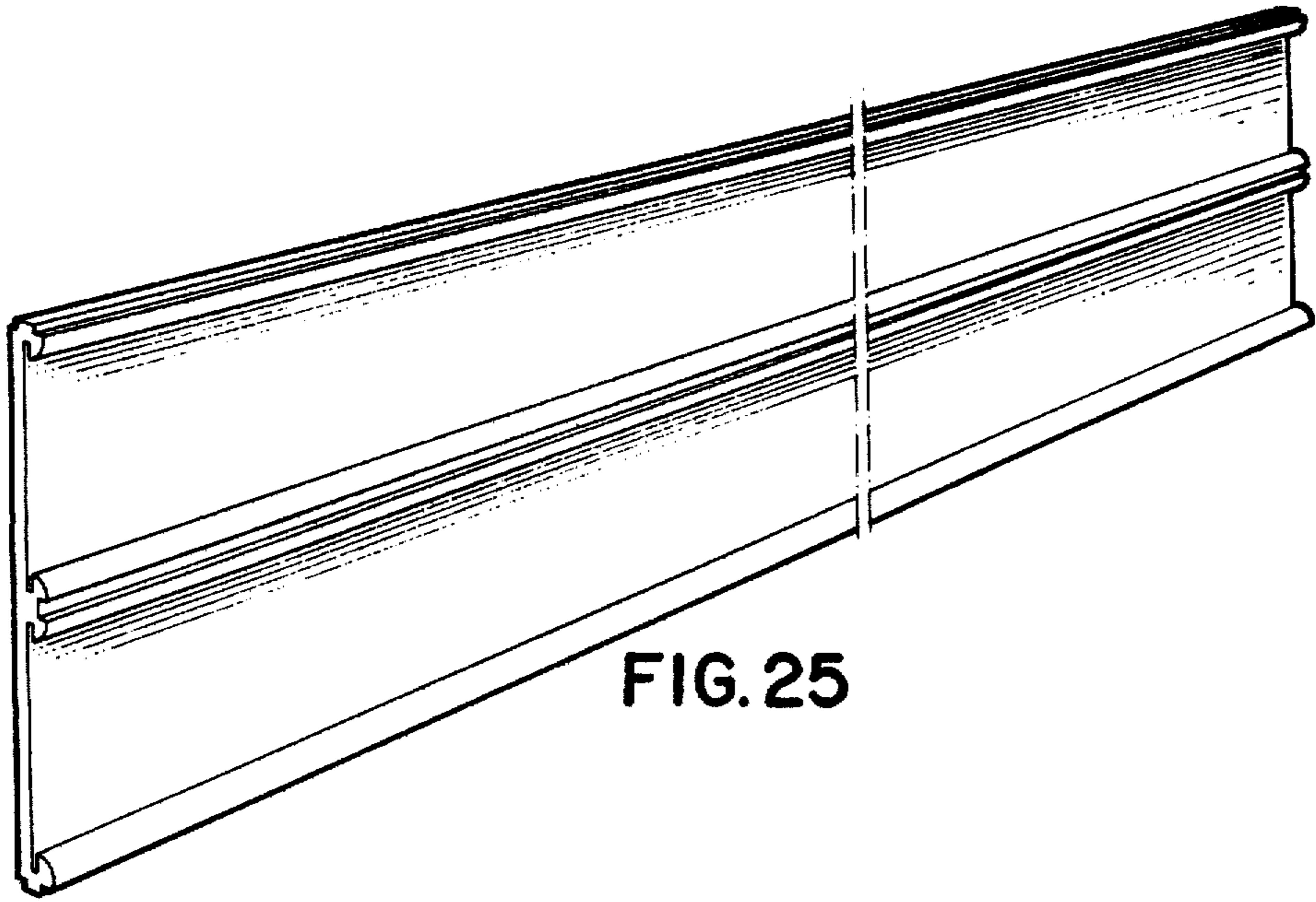


FIG. 25

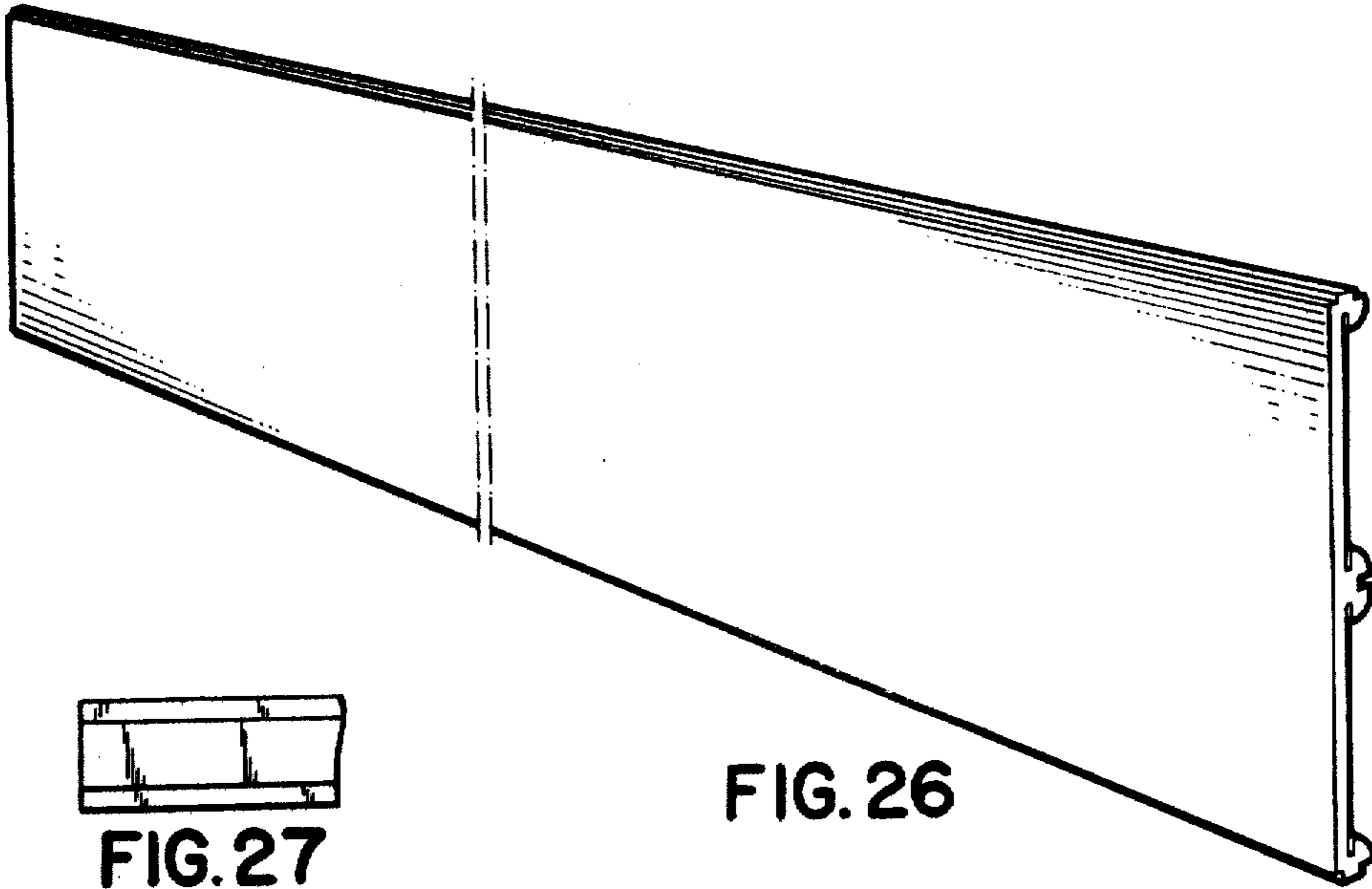


FIG. 26



FIG. 27



FIG. 28

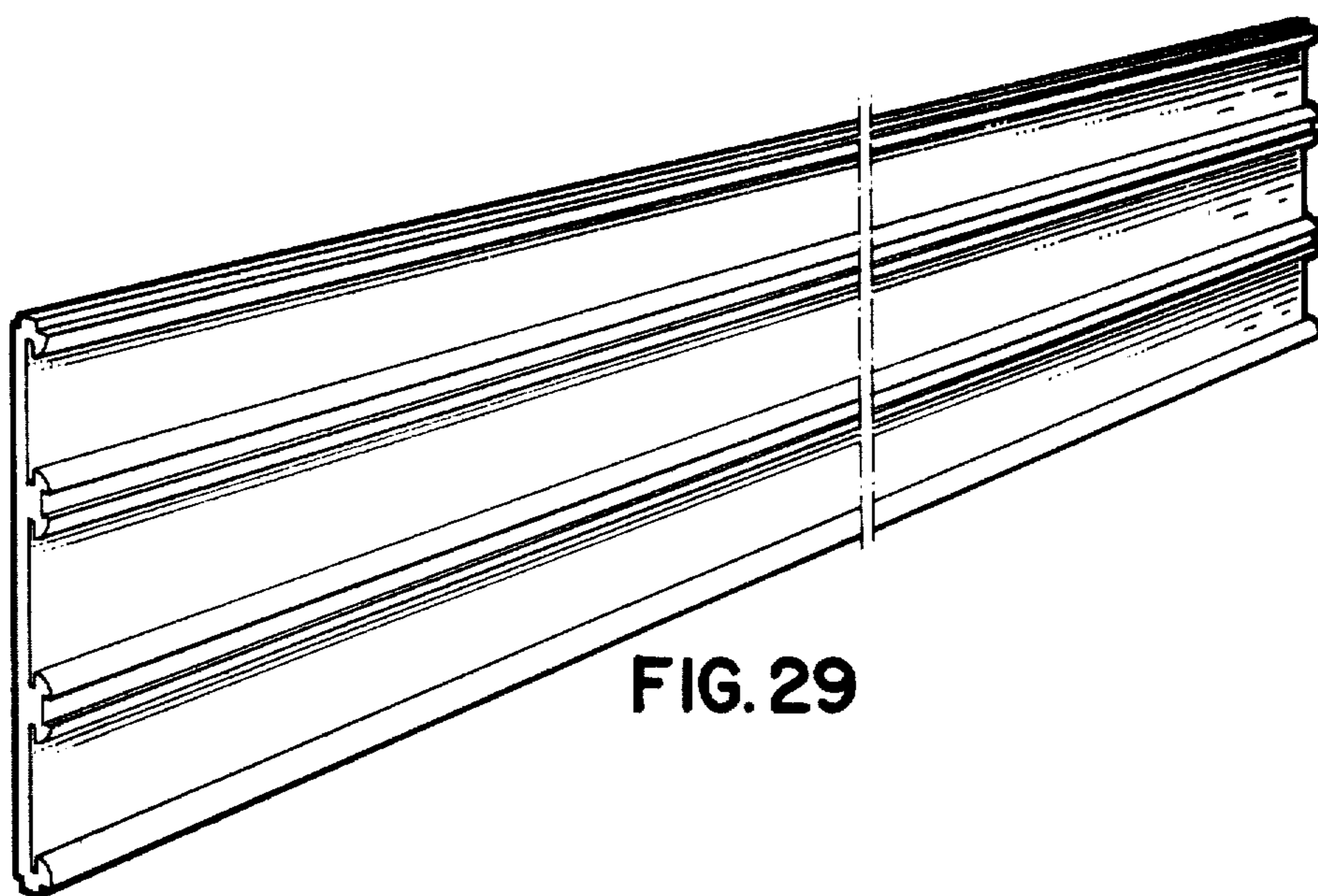


FIG. 29

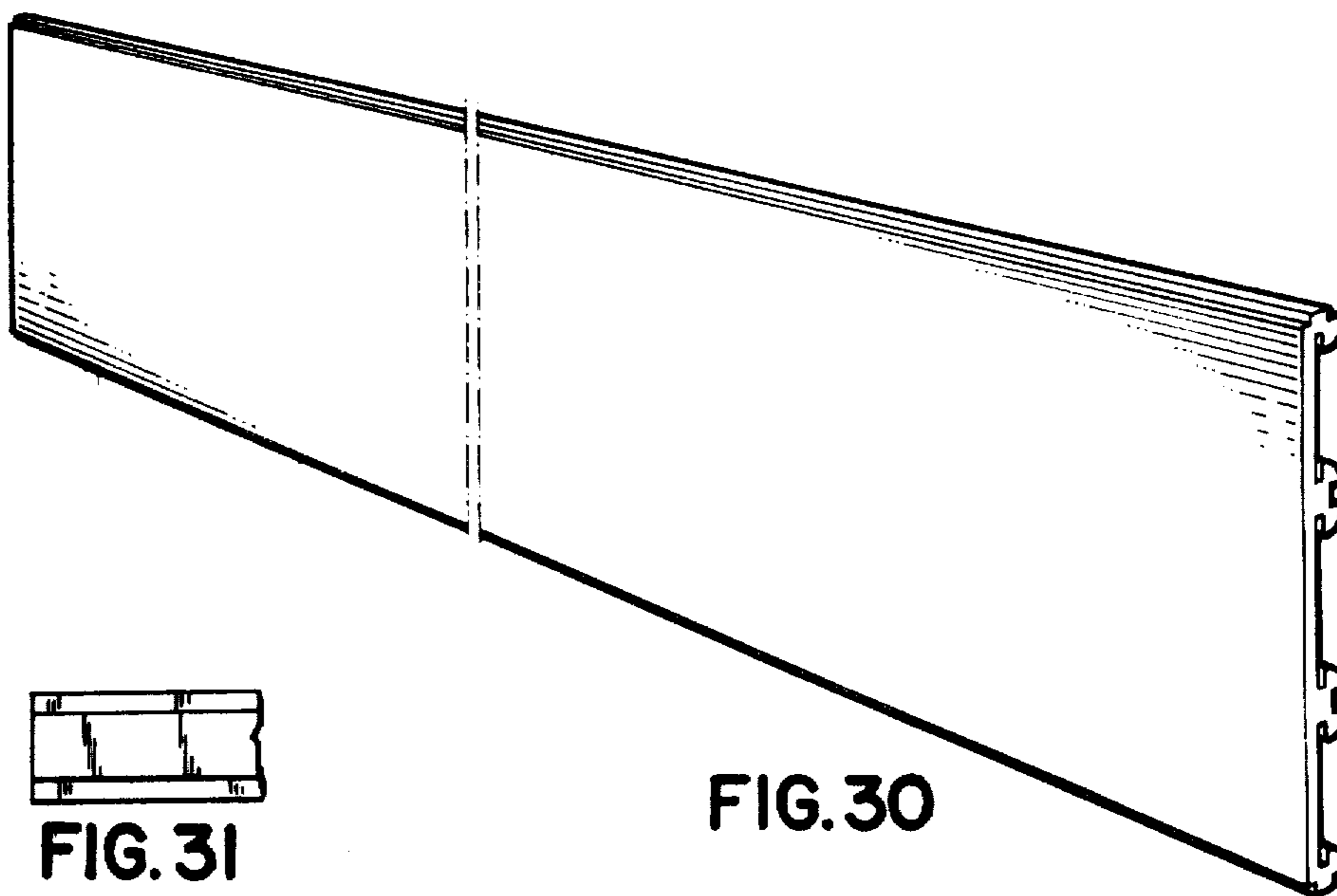


FIG. 30



FIG. 31



FIG. 32

UNITED STATES PATENT AND TRADEMARK OFFICE  
**CERTIFICATE OF CORRECTION**

PATENT NO. : Des. 273,596  
DATED : April 24, 1984  
INVENTOR(S) : Waldecrantz

It is certified that error appears in the above-identified patent and that said Letters Patent are hereby corrected as shown below:

On the title page:

Before the paragraph headed CLAIMS, insert the following paragraph:

-- The broken lines included in the perspective views of each embodiment are intended to indicate indeterminate length. The top view of each embodiment is shown fragmentarily for ease of illustration. --

**Signed and Sealed this**

*Eighteenth Day of September 1984*

[SEAL]

*Attest:*

*Attesting Officer*

**GERALD J. MOSSINGHOFF**

*Commissioner of Patents and Trademarks*