

[54] **MICROSCOPE**

4,299,440 11/1981 Hodgson ..... 350/530

[75] **Inventor:** John T. Armbruster, Niagara Falls, N.Y.

**OTHER PUBLICATIONS**

[73] **Assignee:** Warner Lambert Technologies, Inc., Southbridge, Mass.

"Bausch & Lomb Academic Microscopes", p. 22, brochure, print date Mar. 1980, p. 9, Acad. HSM, Microscope.

[\*\*] **Term:** 14 Years

"Camera System for Automatic Photomicrography", by Leitz Wetzler; printed Nov. 1979: 15 page brochure, Microscope on back cover.

[21] **Appl. No.:** 296,404

*Primary Examiner*—Wallace R. Burke

[22] **Filed:** Aug. 26, 1981

*Assistant Examiner*—Horace B. Fay

[52] **U.S. Cl.** ..... **D16/131**

*Attorney, Agent, or Firm*—Alan H. Spencer

[58] **Field of Search** ..... D16/130, 131; 350/507, 350/511, 513, 530, 531; 354/79

[57] **CLAIM**

[56] **References Cited**

The ornamental design of a microscope, as shown and described.

**U.S. PATENT DOCUMENTS**

**DESCRIPTION**

D. 182,098	2/1958	Armbruster	.....	D16/131
D. 195,998	8/1963	Auböck	.....	D16/131
D. 263,057	2/1982	Janke	.....	D16/131
3,260,157	7/1966	Boughton	.....	D16/131
3,721,827	3/1973	Reinheimer	.....	350/530
3,889,279	6/1975	Klemann et al.	.....	354/79
4,168,881	9/1979	Rosenberger	.....	350/530

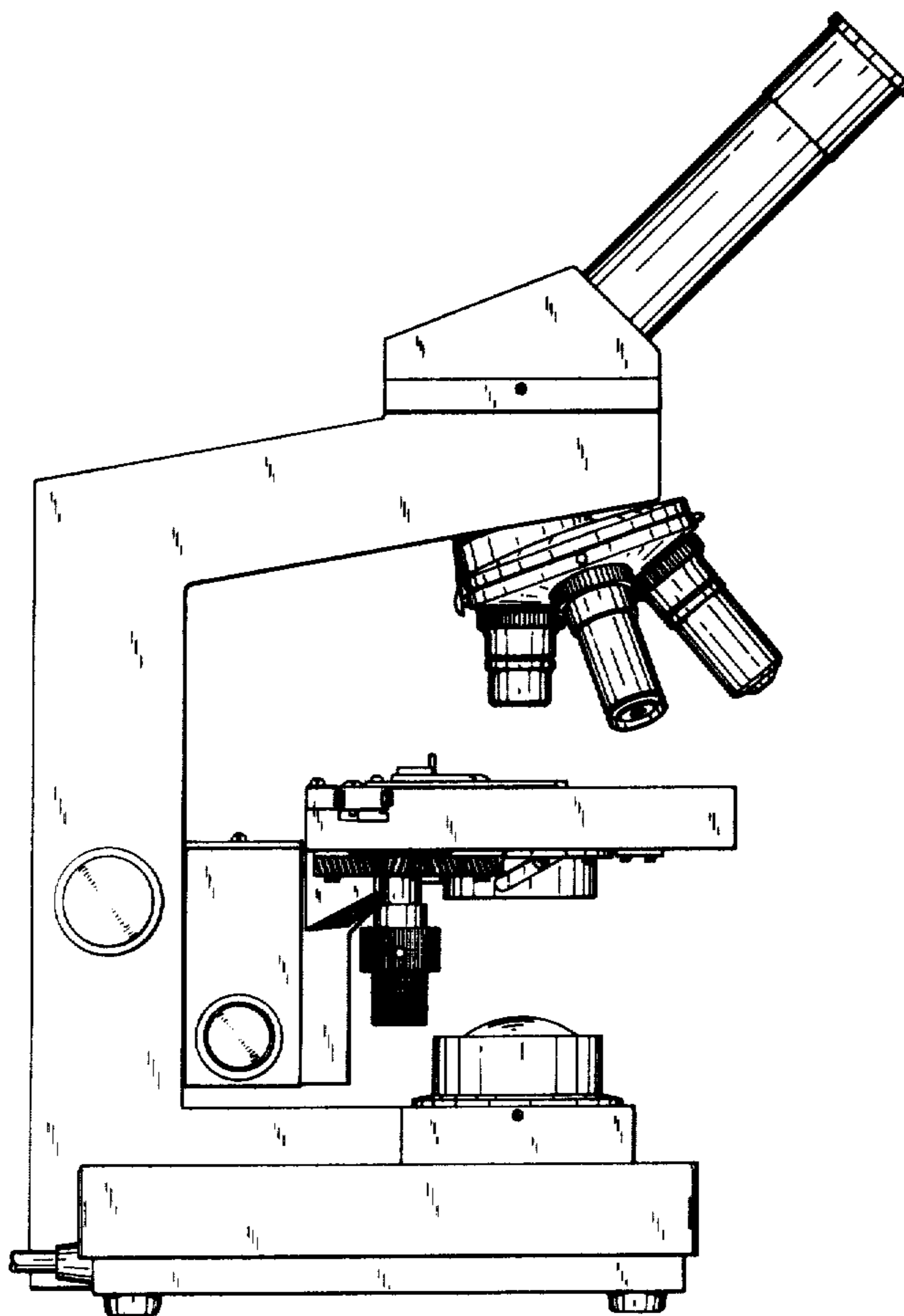
FIG. 1 is a front elevational view of a microscope showing my new design;

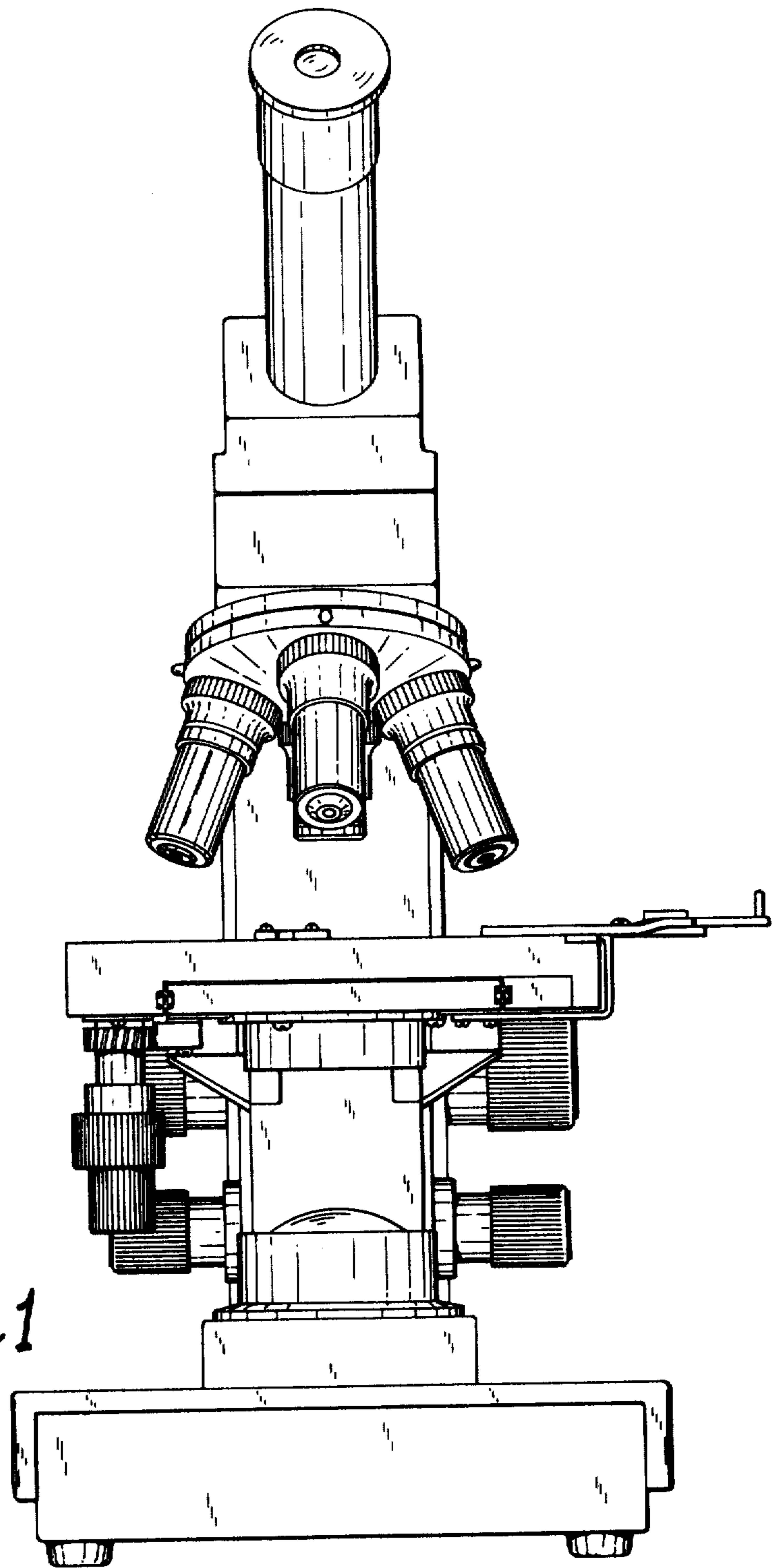
FIG. 2 is a left side elevational view thereof;

FIG. 3 is a right side elevational view thereof;

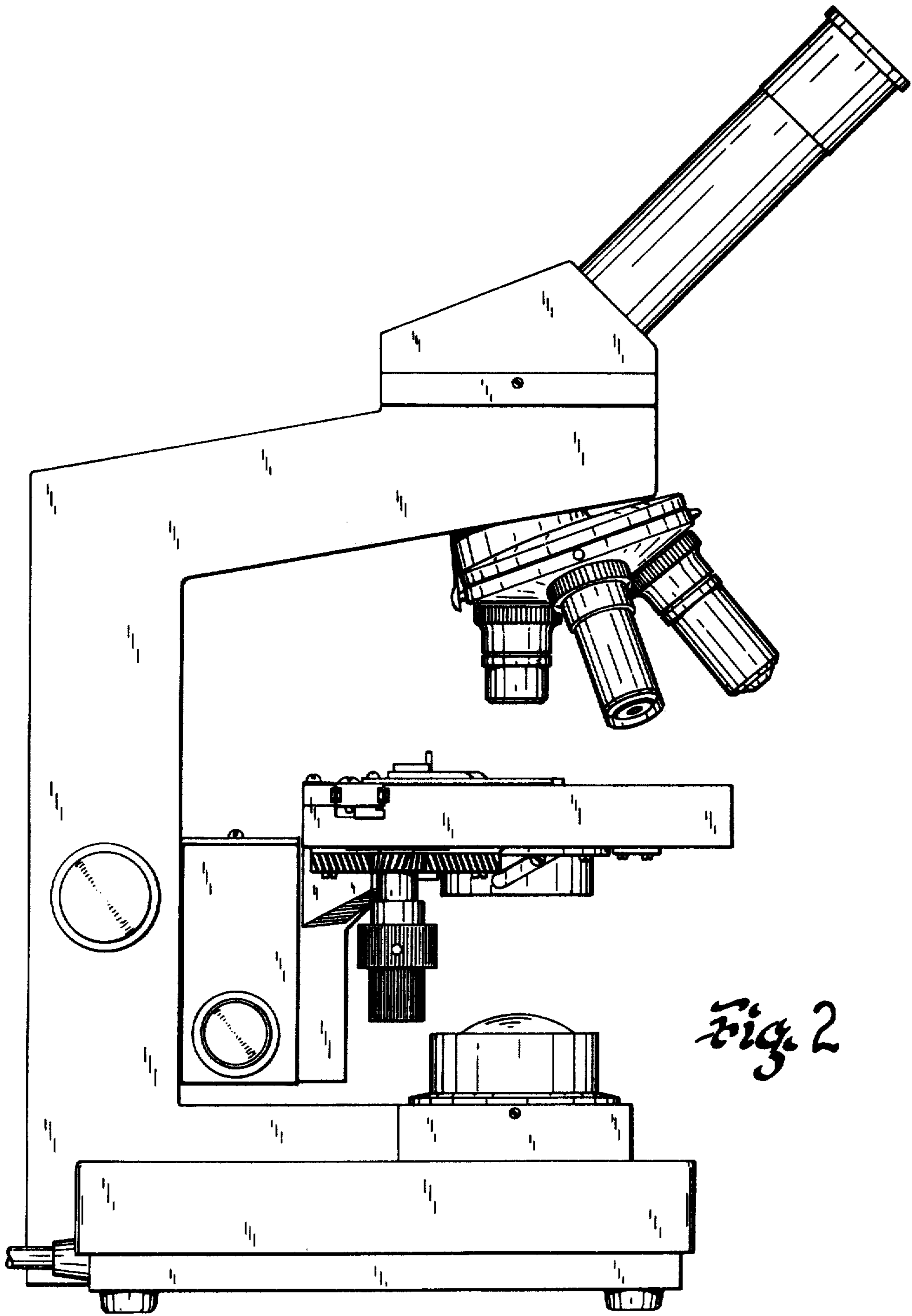
FIG. 4 is a rear elevational view thereof; and

FIG. 5 is a top plan view thereof.

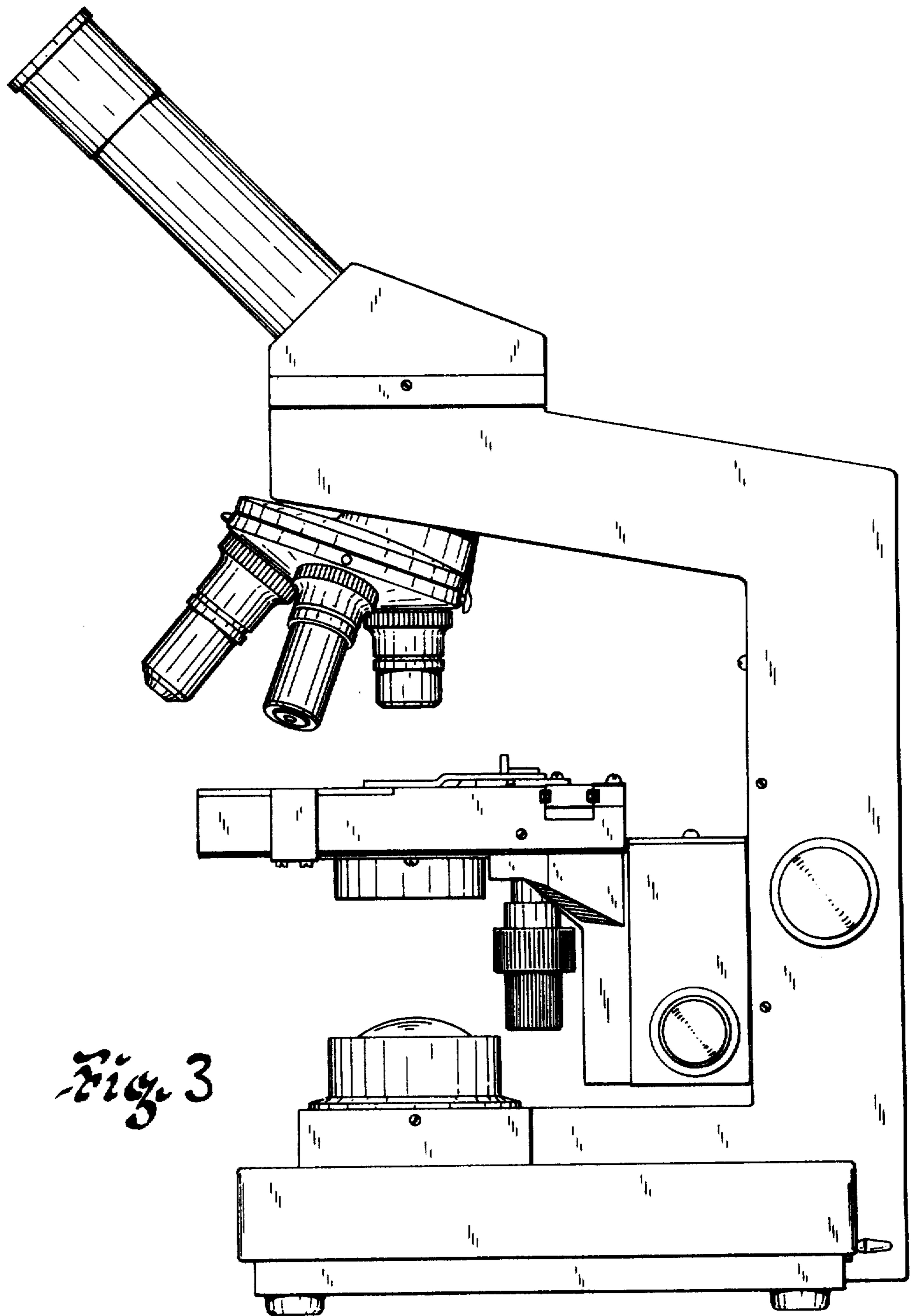




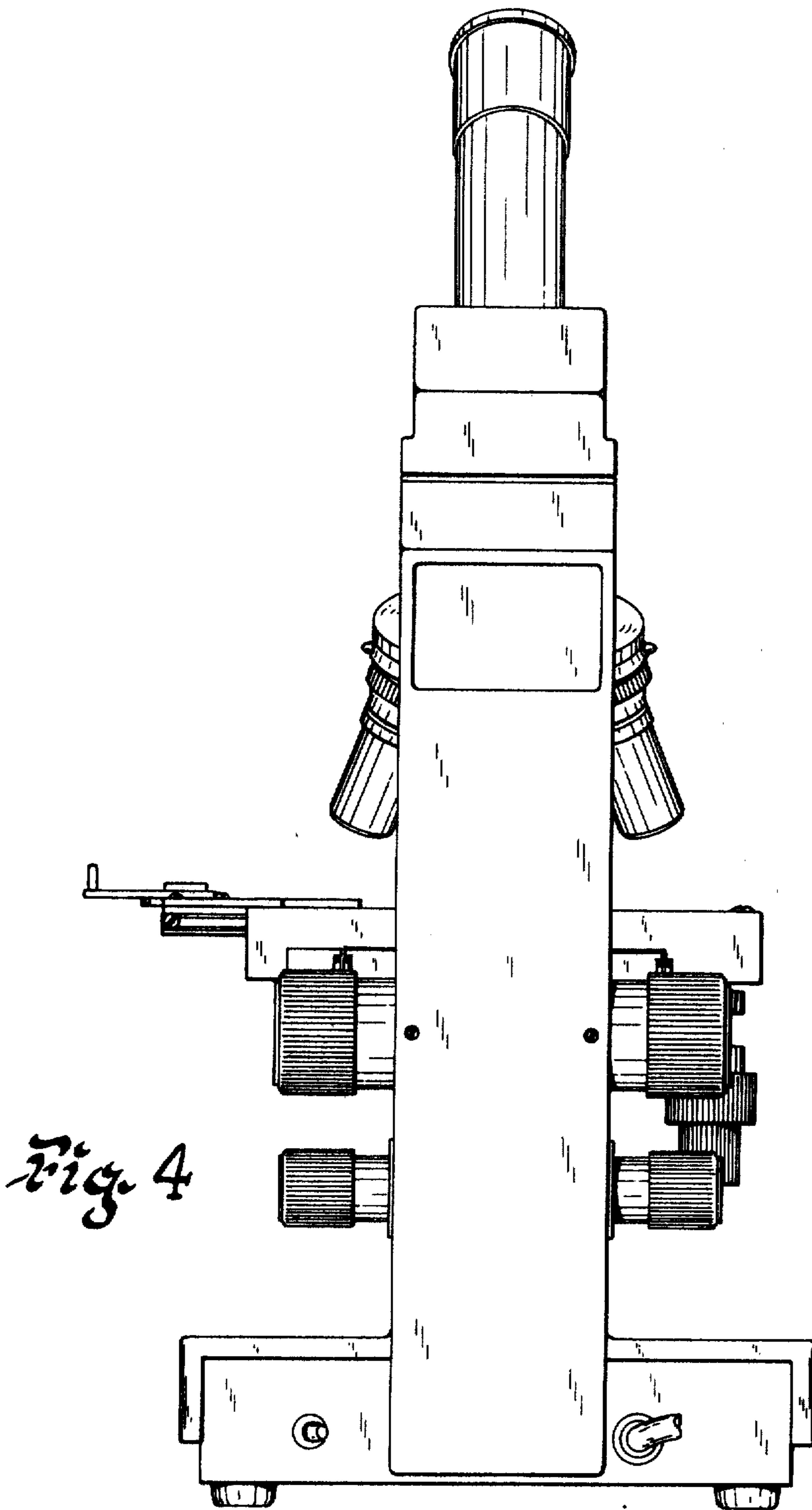
*Fig. 1*

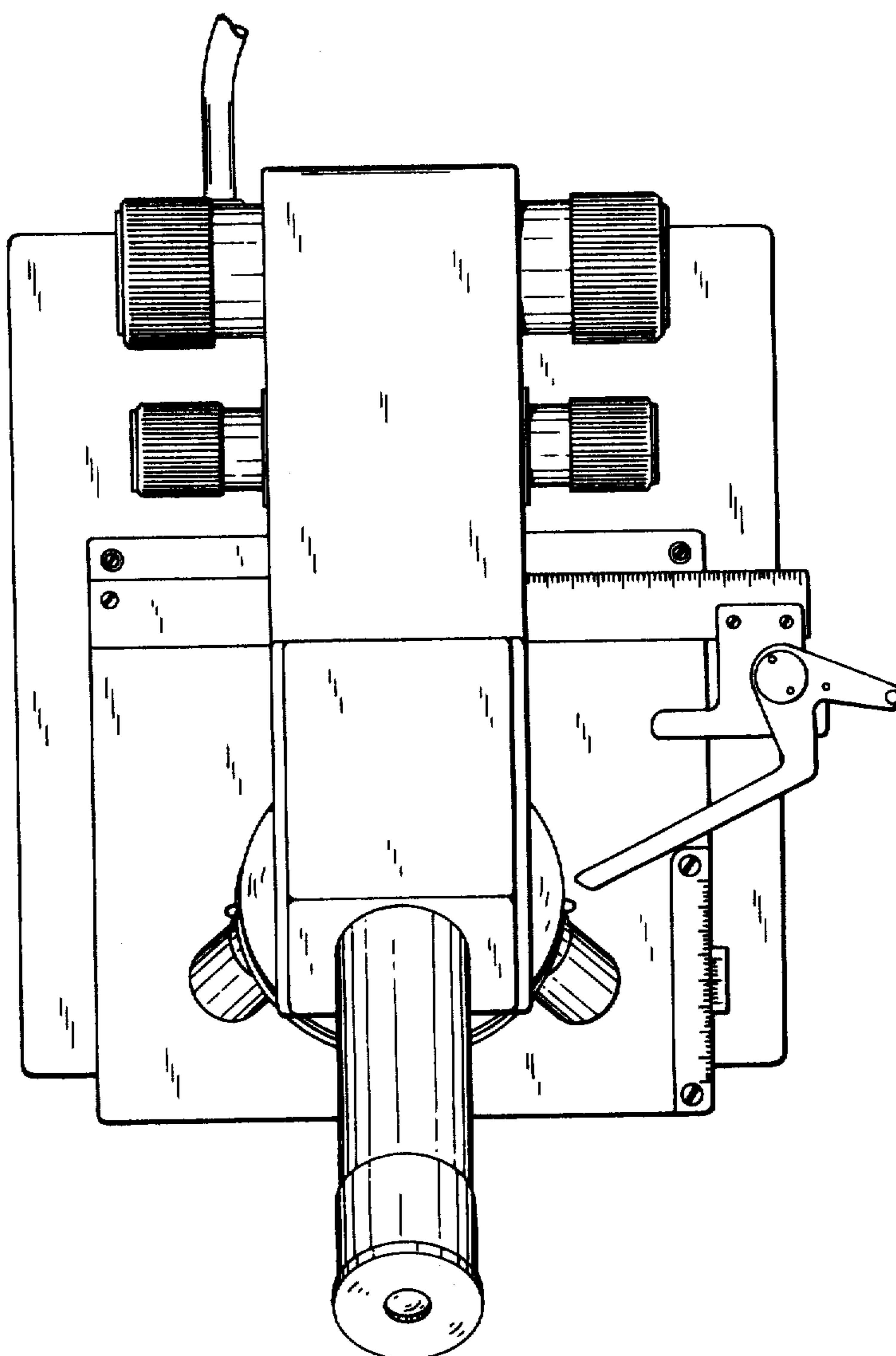


*Fig. 2*



*Fig. 3*





*Fig. 5*