

[54] CONVERTABLE PUMP AND MOTOR

1,065,025 6/1913 Botts 60/408
2,878,754 3/1959 McMurry 417/60

[75] Inventor: Robert F. Hodgson, Youngstown, Ohio

OTHER PUBLICATIONS

[73] Assignee: Commercial Shearing, Inc., Youngstown, Ohio

Construction Methods, 7-1960, p. 234, "Cotta Split--Shaft Transmission".

[**] Term: 14 Years

Primary Examiner—Charles A. Rademaker
Attorney, Agent, or Firm—Buell, Blenko, Ziesenheim & Beck

[21] Appl. No.: 218,121

[22] Filed: Dec. 19, 1980

[52] U.S. Cl. D15/7; D15/1; D15/5

[57] CLAIM

The ornamental design for a convertable pump and motor, as shown and described.

[58] Field of Search D15/7, 8, 9, 1, 6; 417/92, 91, 60; 60/408, 409

DESCRIPTION

[56] References Cited

U.S. PATENT DOCUMENTS

- D. 51,532 11/1917 Rauber D15/7
- D. 116,253 8/1939 Van Doren et al. D15/7
- D. 123,037 10/1940 Zimmermann D15/7
- D. 140,523 3/1945 Svenson et al. D15/7

FIG. 1 is a top plan view of a convertable pump and motor showing my new design;

FIG. 2 is a bottom plan view thereof;

FIG. 3 is a left end elevational view thereof;

FIG. 4 is a right end elevational view thereof;

FIG. 5 is a right side elevational view thereof; and

FIG. 6 is a left side elevational view thereof.

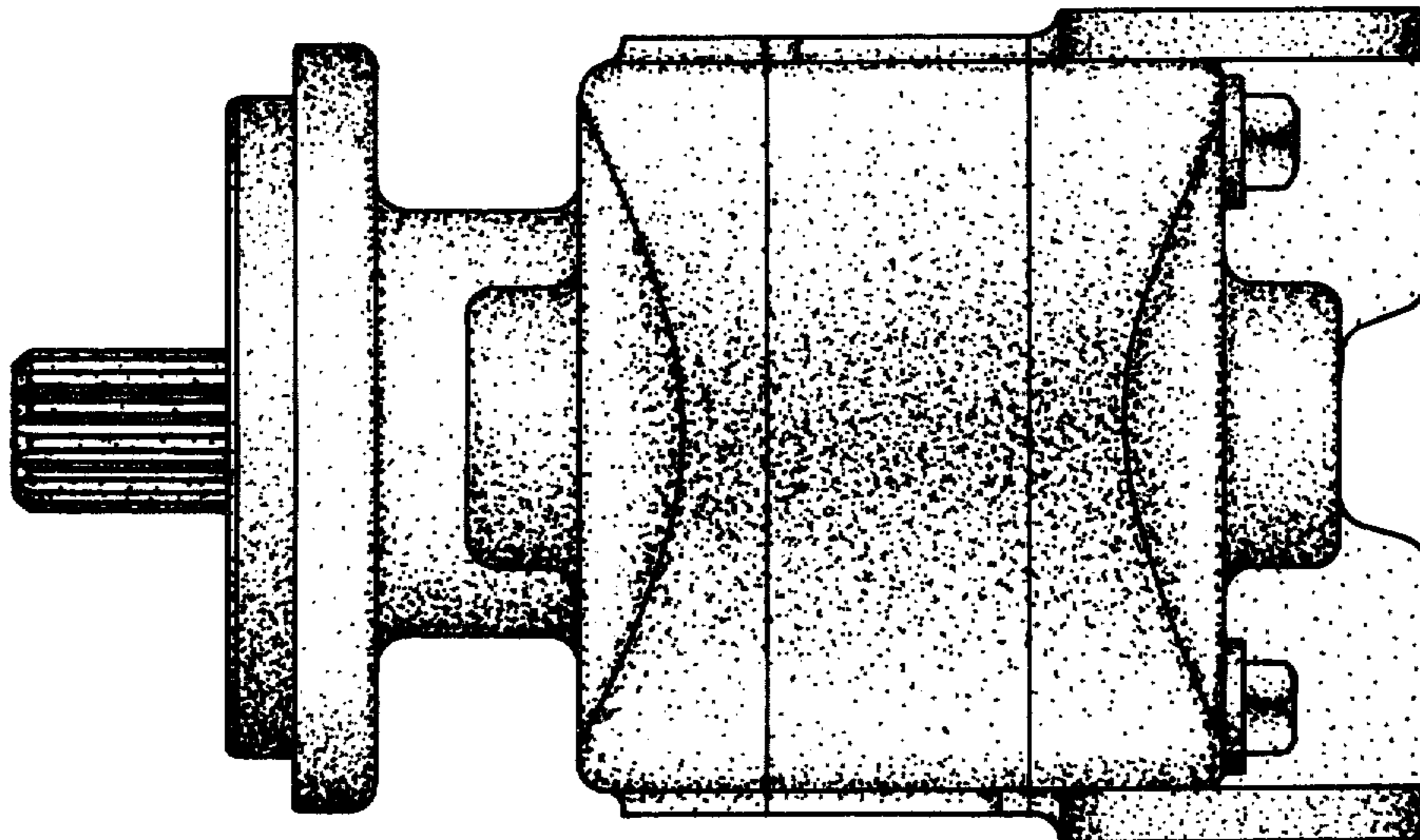


FIG. 1

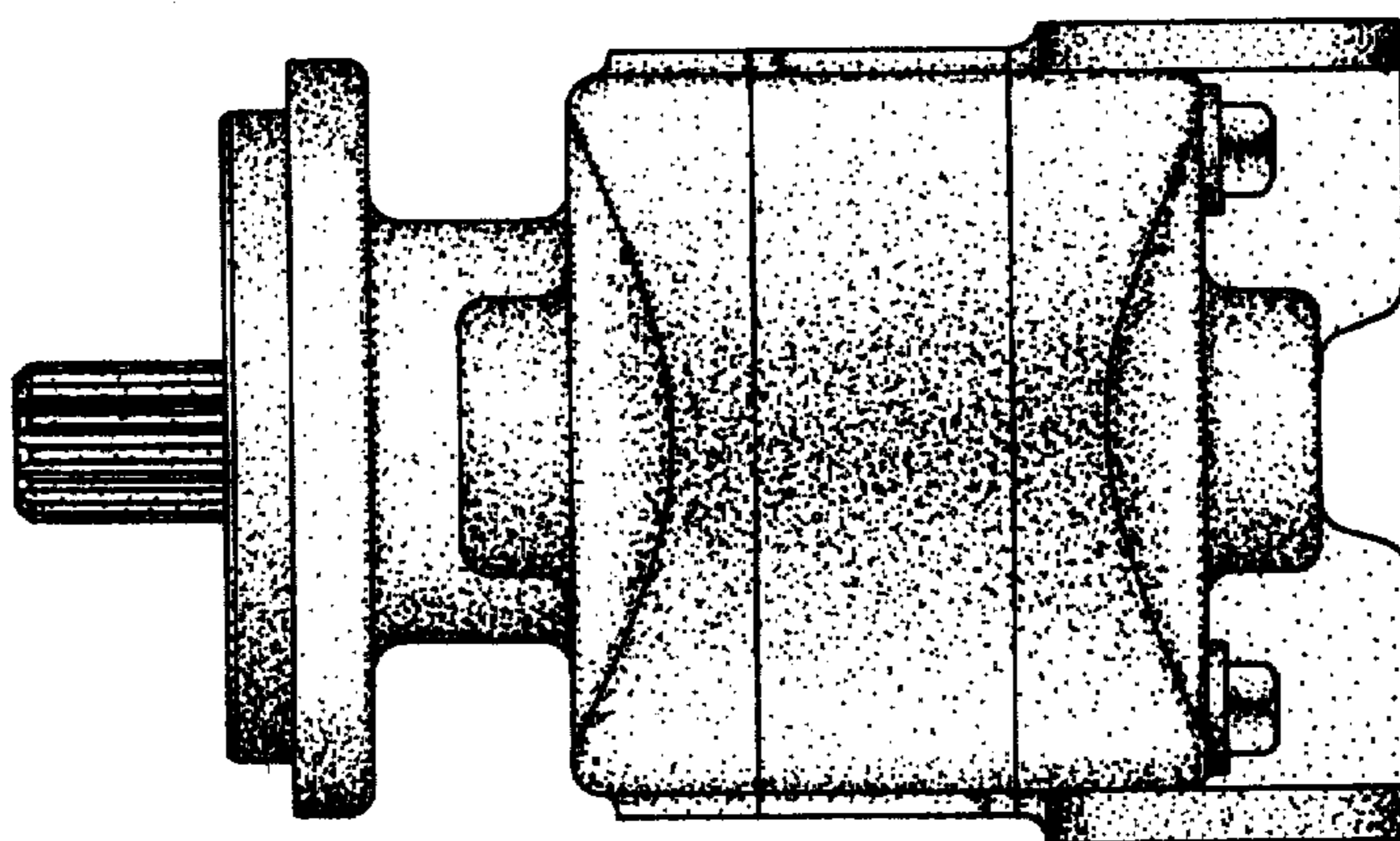


FIG. 2

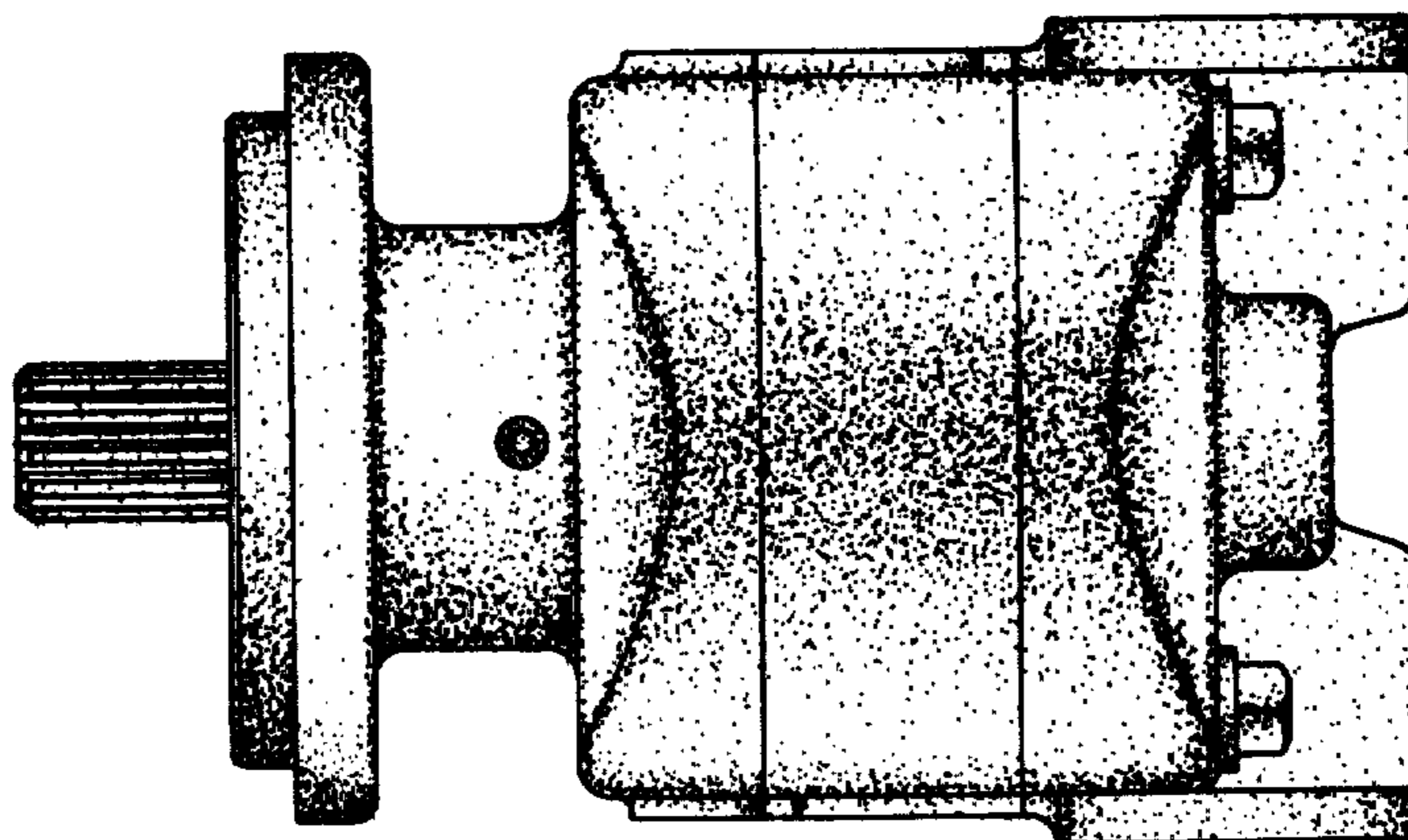


FIG. 3

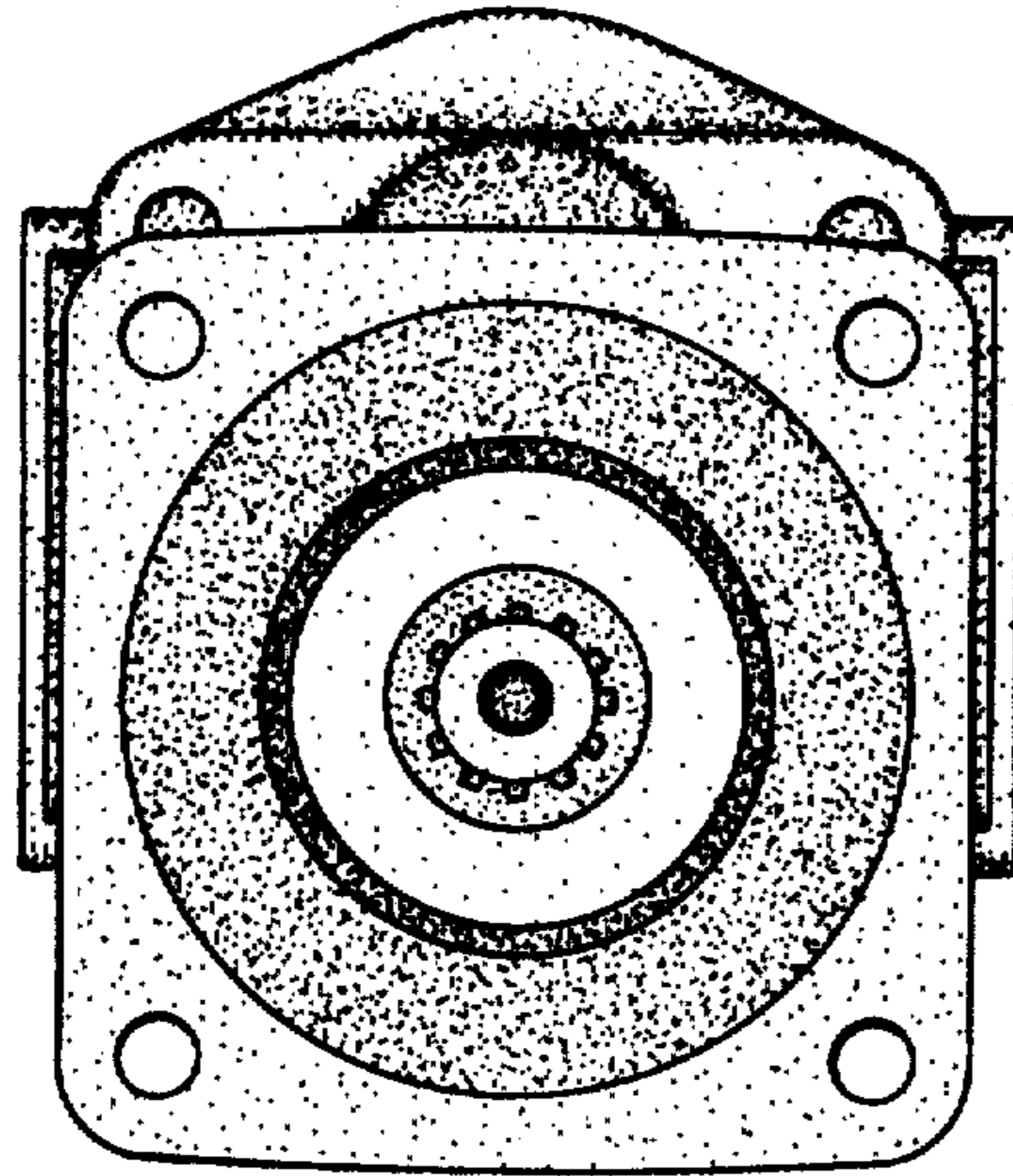


FIG. 4

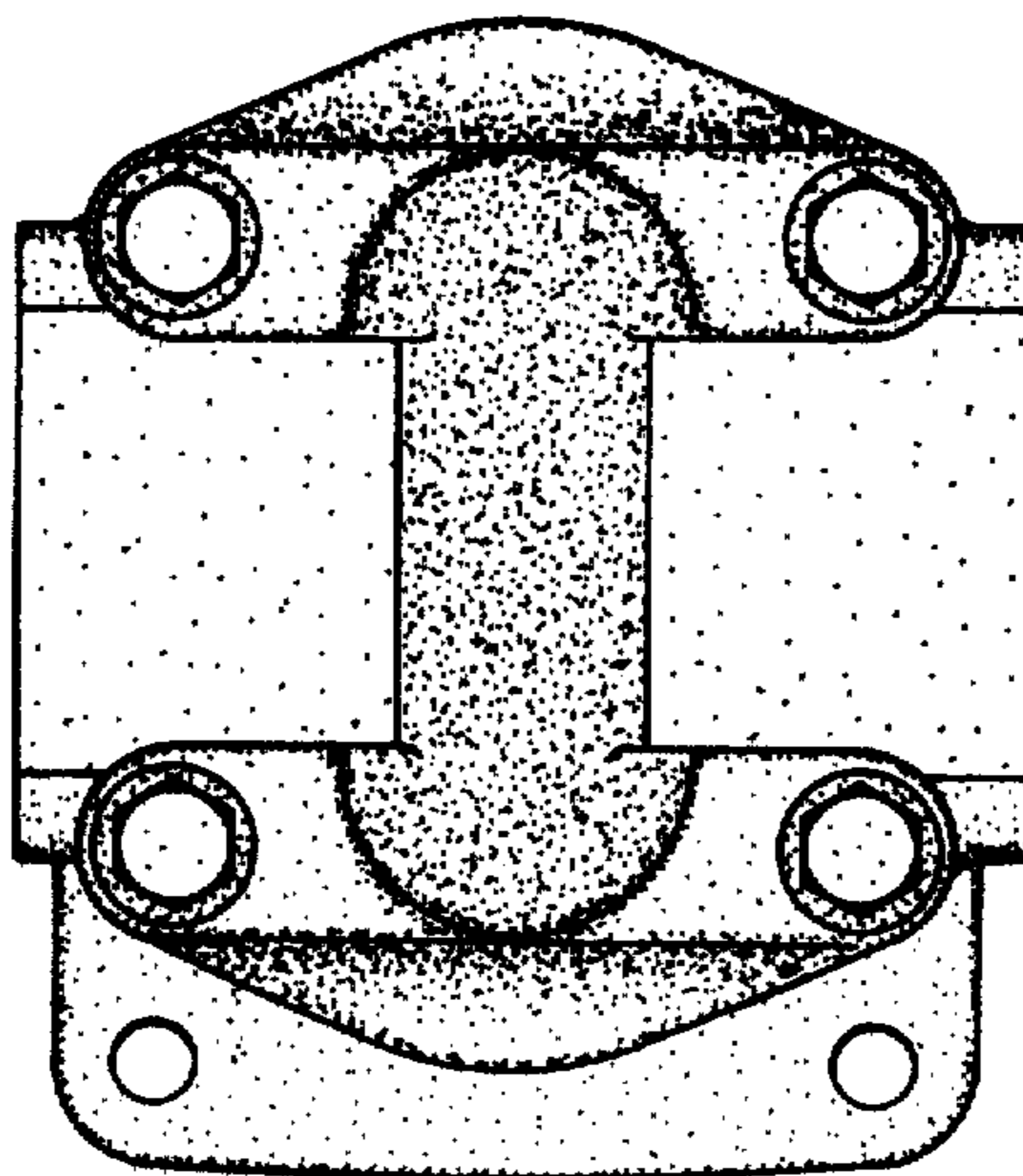


FIG. 5

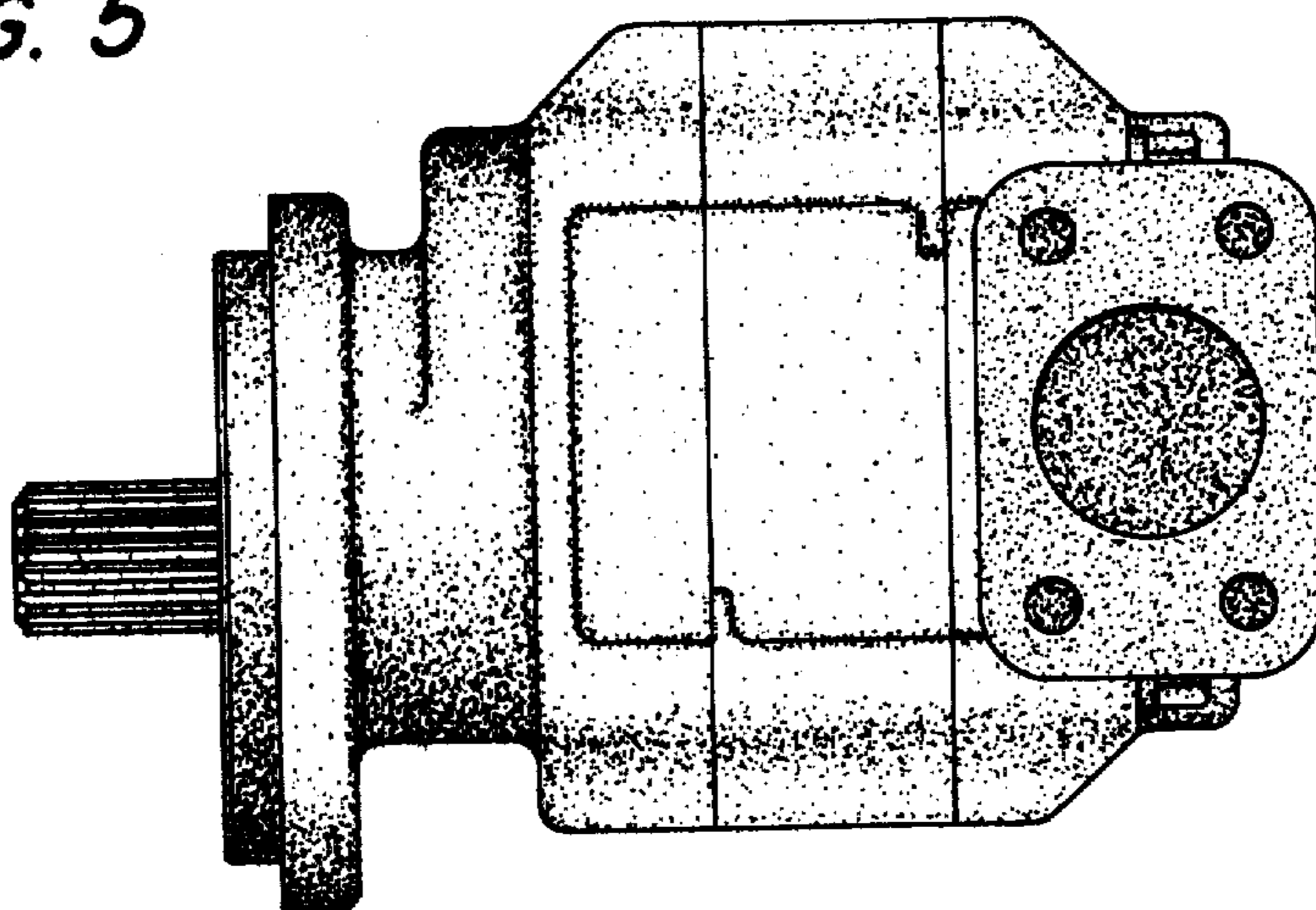


FIG. 6

