

- [54] CONVERTABLE PUMP AND MOTOR
- [75] Inventor: Robert F. Hodgson, Youngstown, Ohio
- [73] Assignee: Commercial Shearing, Inc., Youngstown, Ohio
- [\*\*] Term: 14 Years
- [21] Appl. No.: 218,110
- [22] Filed: Dec. 19, 1980
- [52] U.S. Cl. .... D15/7; D15/1; D15/5
- [58] Field of Search ..... D15/7, 8, 9; 60/408, 60/409; D15/1, 5; 417/92, 91, 60

1,065,025 6/1913 Botts ..... 60/408  
 2,878,754 3/1959 McMurry ..... 417/60

OTHER PUBLICATIONS

Construction Methods, 7-1960, p. 234 "Cotta Split-Shaft Transmission".

Primary Examiner—Charles Rademaker  
 Attorney, Agent, or Firm—Buell, Blenko, Ziesenheim & Beck

[57] CLAIM

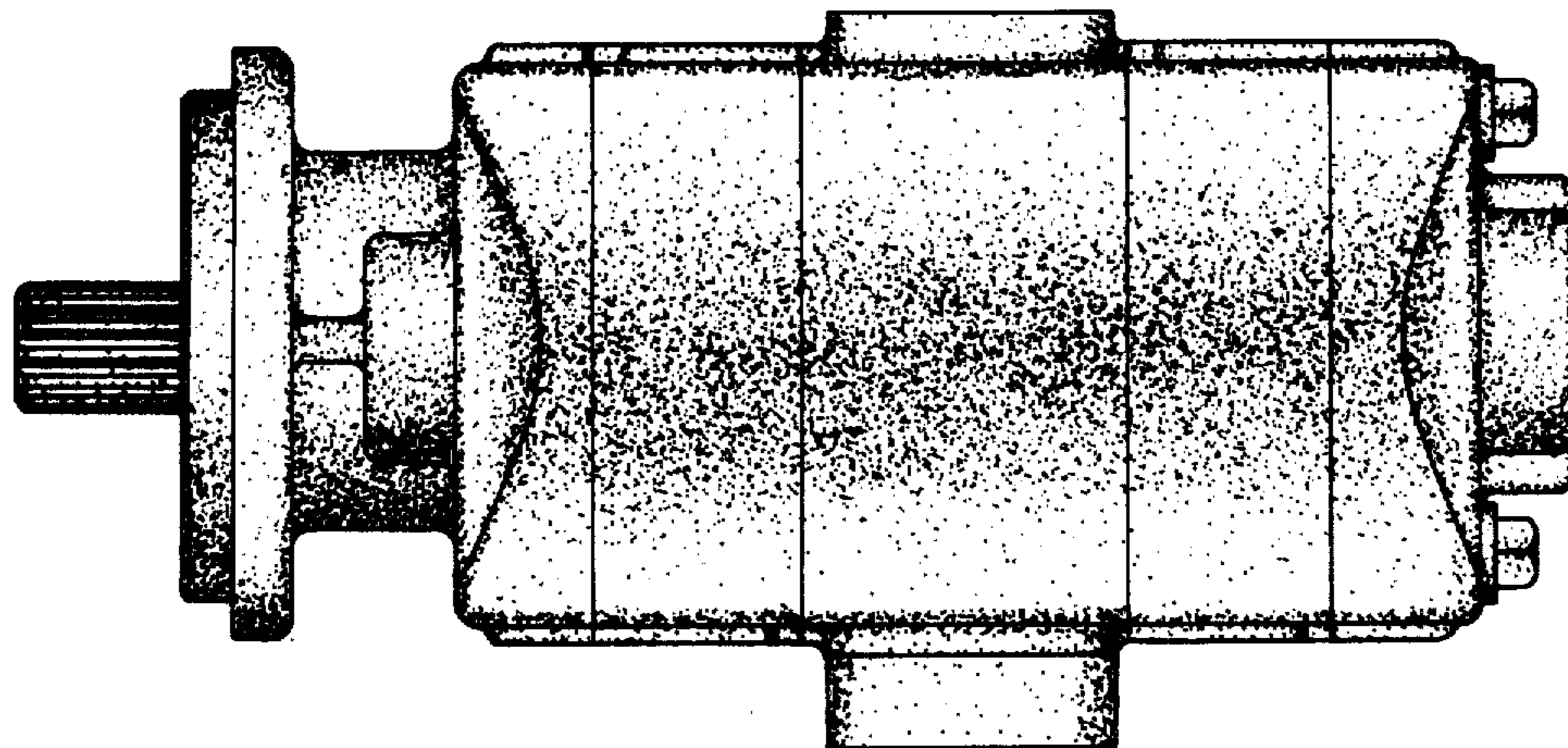
The ornamental design for a convertable pump and motor, as shown and described.

DESCRIPTION

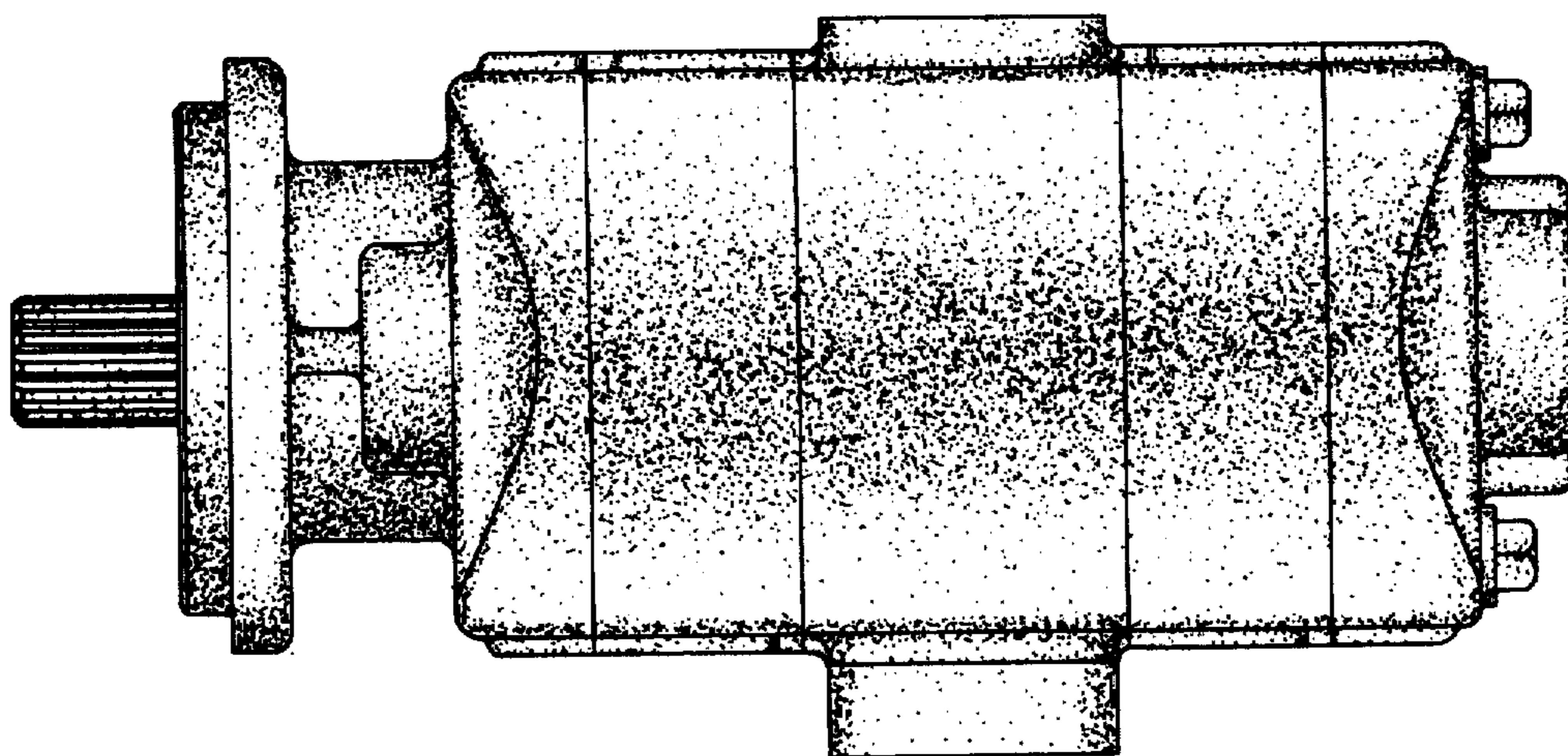
FIG. 1 is a top plan view of a convertable pump and motor showing my new design;  
 FIG. 2 is a bottom plan view thereof;  
 FIG. 3 is a left end elevational view thereof;  
 FIG. 4 is a right end elevational view thereof;  
 FIG. 5 is a right side elevational view thereof; and  
 FIG. 6 is a left side elevational view thereof.

[56] References Cited  
 U.S. PATENT DOCUMENTS

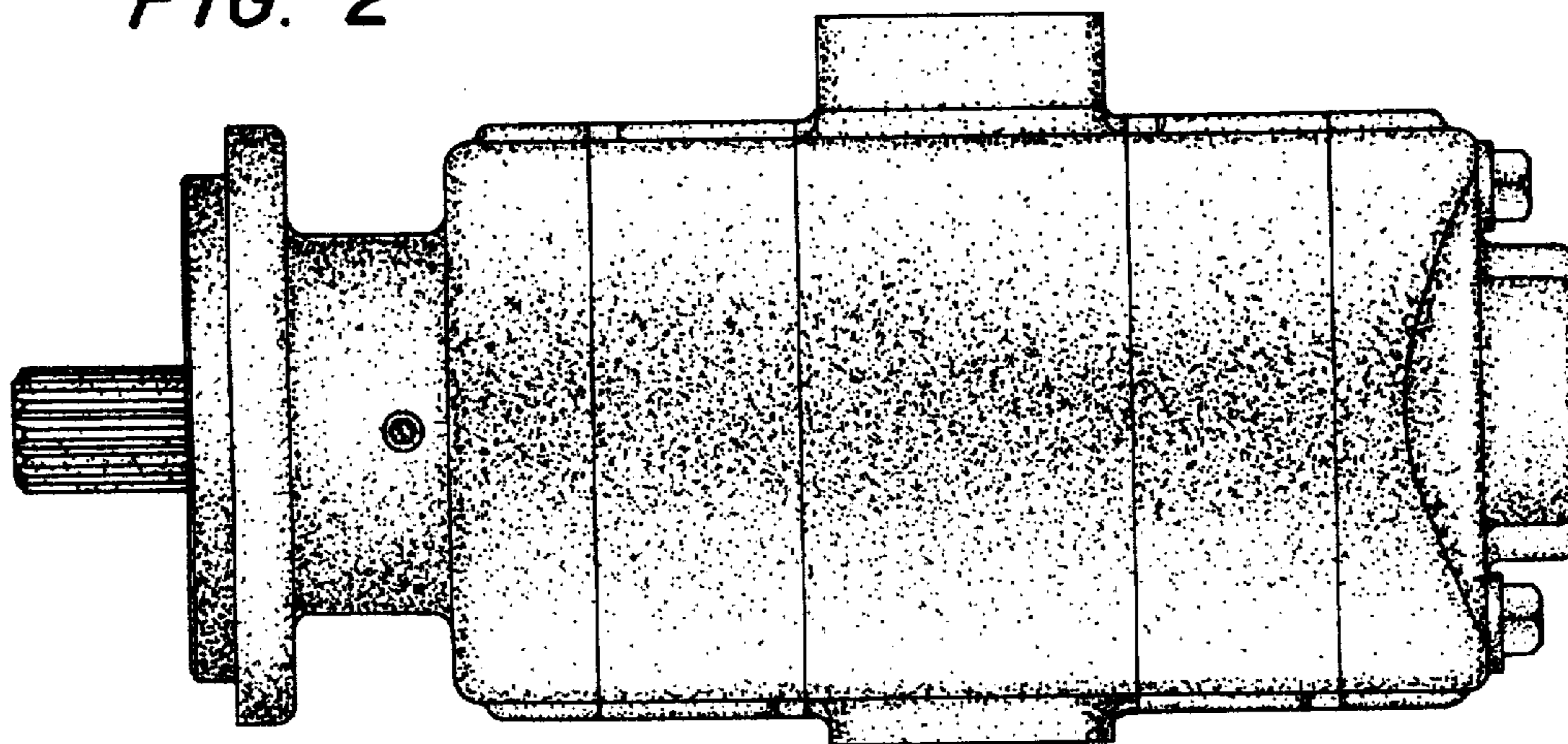
D. 32,502	4/1900	Park et al. ....	D15/7
D. 116,253	8/1939	Van Doren et al. ....	D15/7
D. 137,172	2/1944	Bluemink ....	D15/7
D. 140,523	3/1945	Svenson et al. ....	D15/7



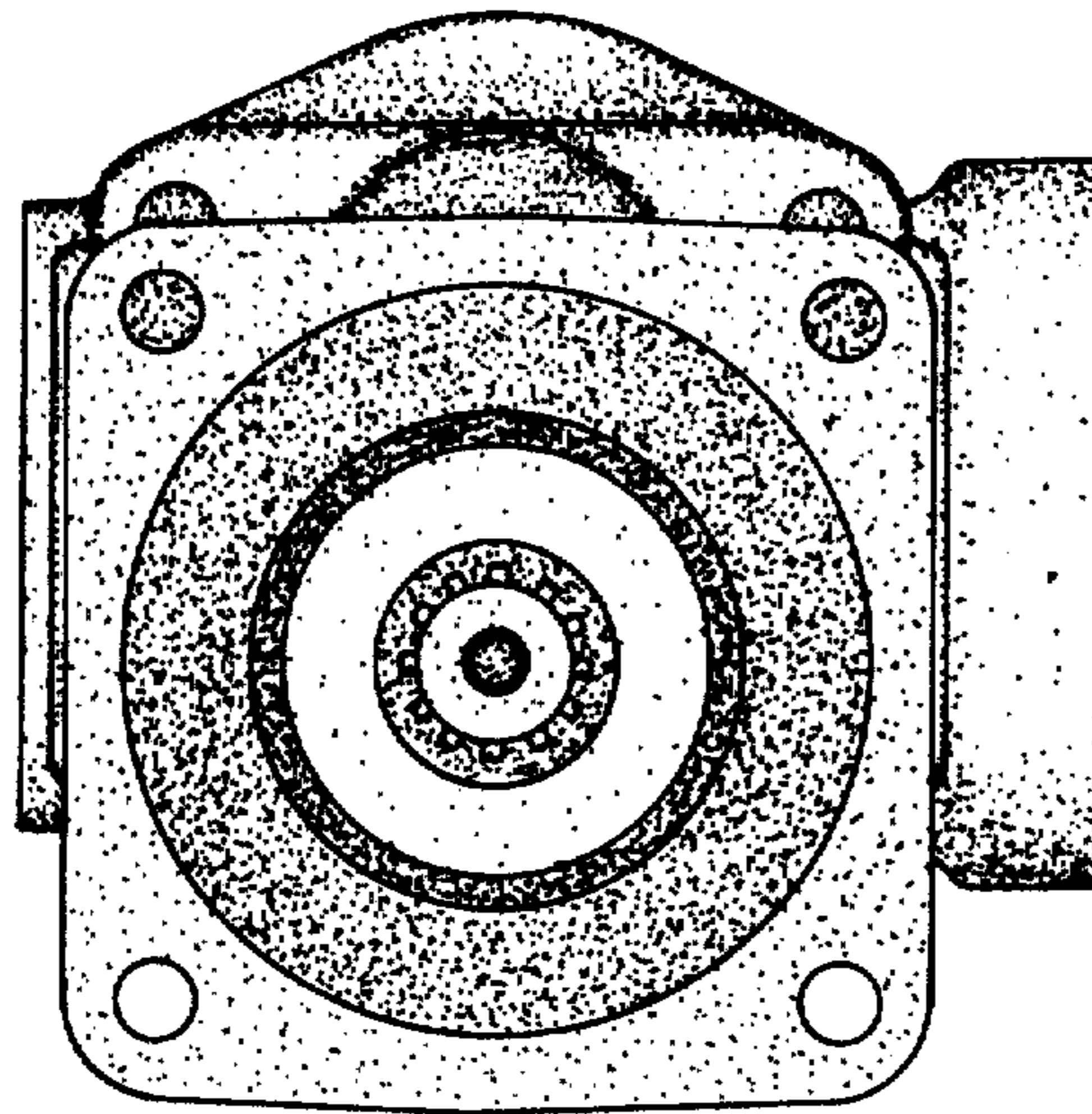
*FIG. 1*



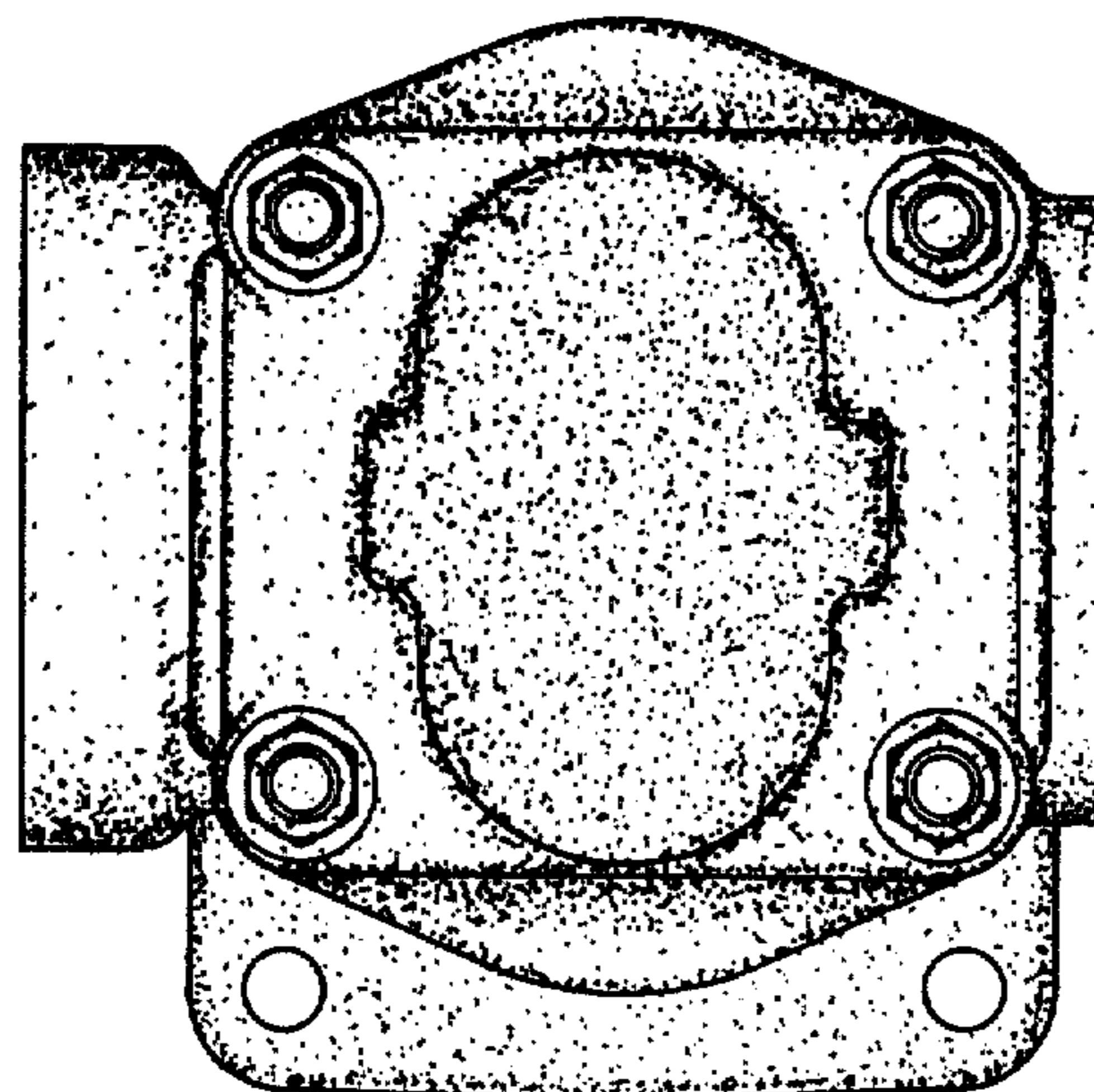
*FIG. 2*



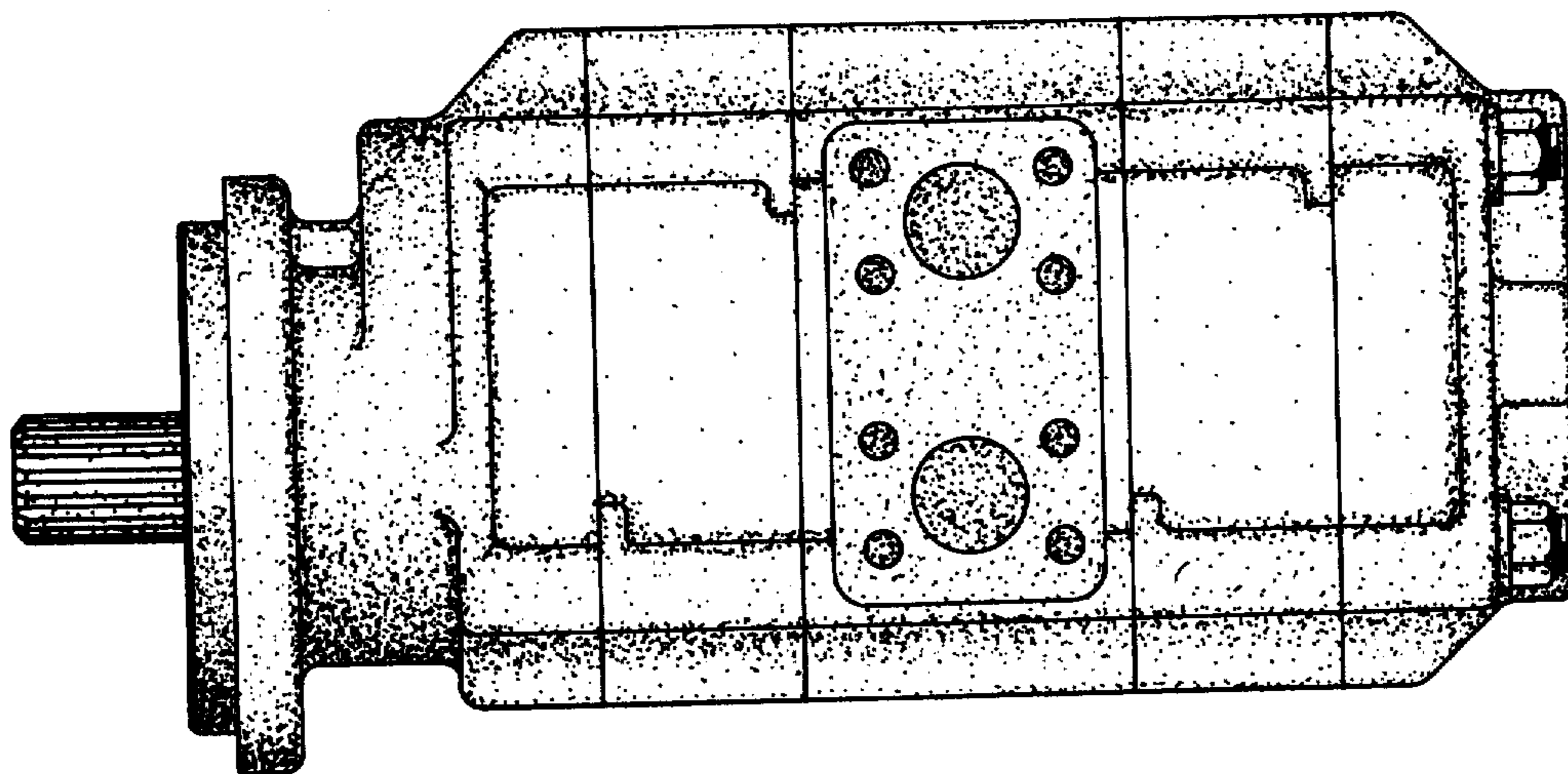
*FIG. 3*



*FIG. 4*



*FIG. 5*



*FIG. 6*

