

[54] **INDICATOR AND DIAL FACE FOR MARINE KNOTMETER, LOG AND DEPTH SOUNDER**

[76] **Inventor: Ronald R. Overs, 96 Fox Hunt La., East Amherst, N.Y. 14051**

[**] **Term: 14 Years**

[21] **Appl. No.: 343,009**

[22] **Filed: Jan. 26, 1982**

[52] **U.S. Cl. D10/126**

[58] **Field of Search D10/46, 52-53, D10/70, 75, 78, 96-98, 102-103, 122-126; D12/192; 73/181-187, 301, 431, 432 AD; 116/62.4, DIG. 37, DIG. 43**

[56] **References Cited**

U.S. PATENT DOCUMENTS

| | | | | |
|------------|---------|---------|-------|------------|
| D. 232,221 | 7/1974 | Fujiani | | D10/124 |
| 2,211,118 | 8/1940 | Hills | | 116/62.4 X |
| 2,287,554 | 6/1942 | Hanson | | 116/62.4 X |
| 3,126,738 | 3/1964 | Taylor | | 73/182 |
| 3,321,969 | 5/1967 | Spencer | | 73/187 |
| 3,364,739 | 1/1968 | Foster | | 73/183 |
| 3,908,456 | 9/1975 | Riggs | | 73/183 |
| 4,176,546 | 12/1979 | Gibson | | 73/182 |

FOREIGN PATENT DOCUMENTS

| | | | | |
|--------|---------|----------------|-------|----------|
| 588310 | 12/1959 | Canada | | 116/62.4 |
| 256575 | 8/1948 | Switzerland | | 73/181 |
| 403972 | 1/1934 | United Kingdom | | 116/62.4 |

OTHER PUBLICATIONS

Goldbergs' Marine Discount Accessory Cat.-1978-p. 136-Knotmeters at top-left and bottom-right.

Sailboat & Equipment Directory-p. 87-Knotmeters at top-right.

Primary Examiner-Nelson C. Holtje

Attorney, Agent, or Firm-Allen J. Jaffe

[57] **CLAIM**

The ornamental design for an indicator and dial face for marine knotmeter, log and depth sounder, as shown and described.

DESCRIPTION

FIG. 1 is a front elevational view of an indicator and dial face for marine knotmeter, log and depth sounder showing my new design;

FIG. 2 is a rear elevational view thereof;

FIG. 3 is a side elevational view thereof.

The broken line showings of FIG. 1 are environmental only and form no part of the claimed design.

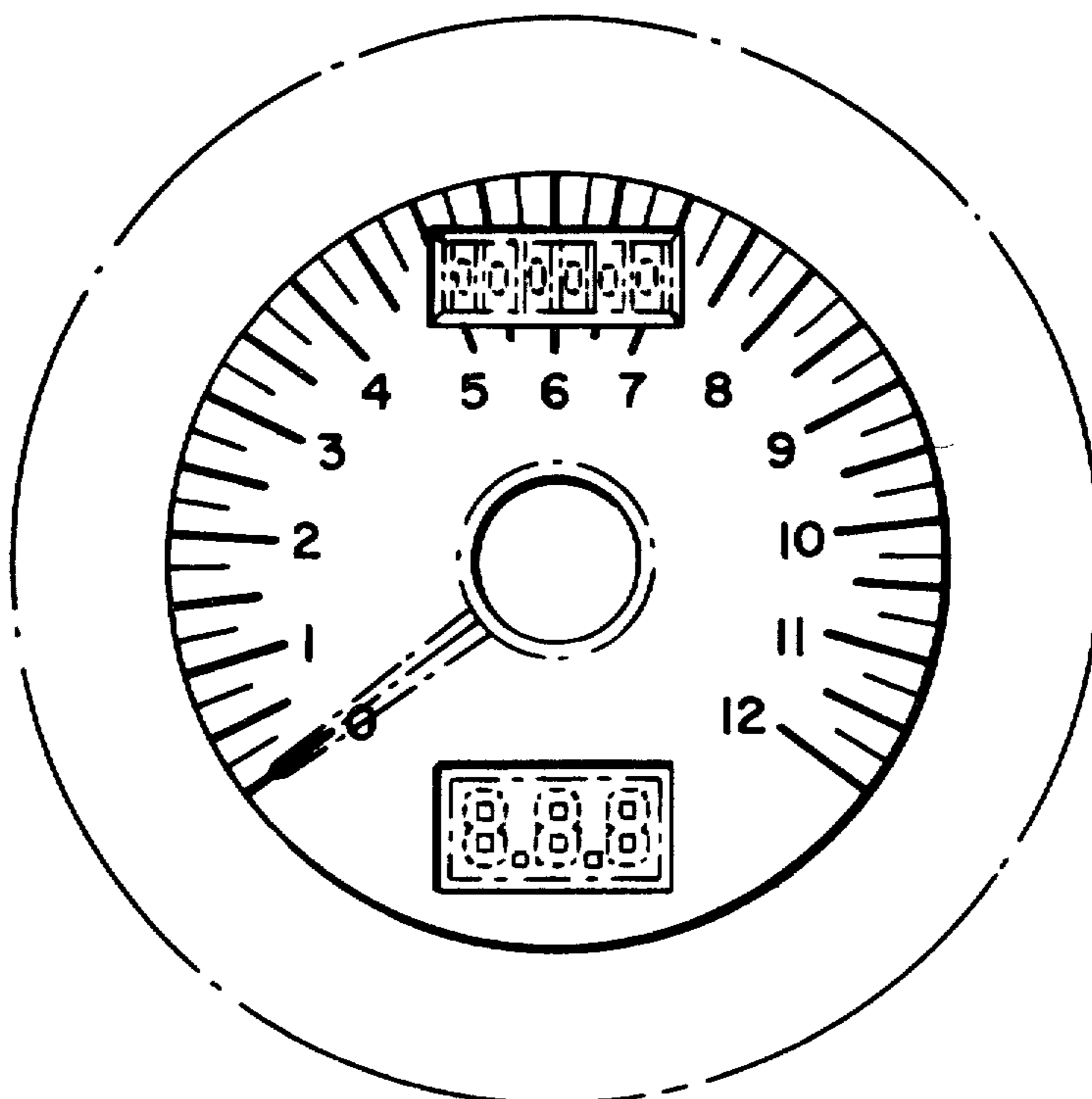


Fig. 1.

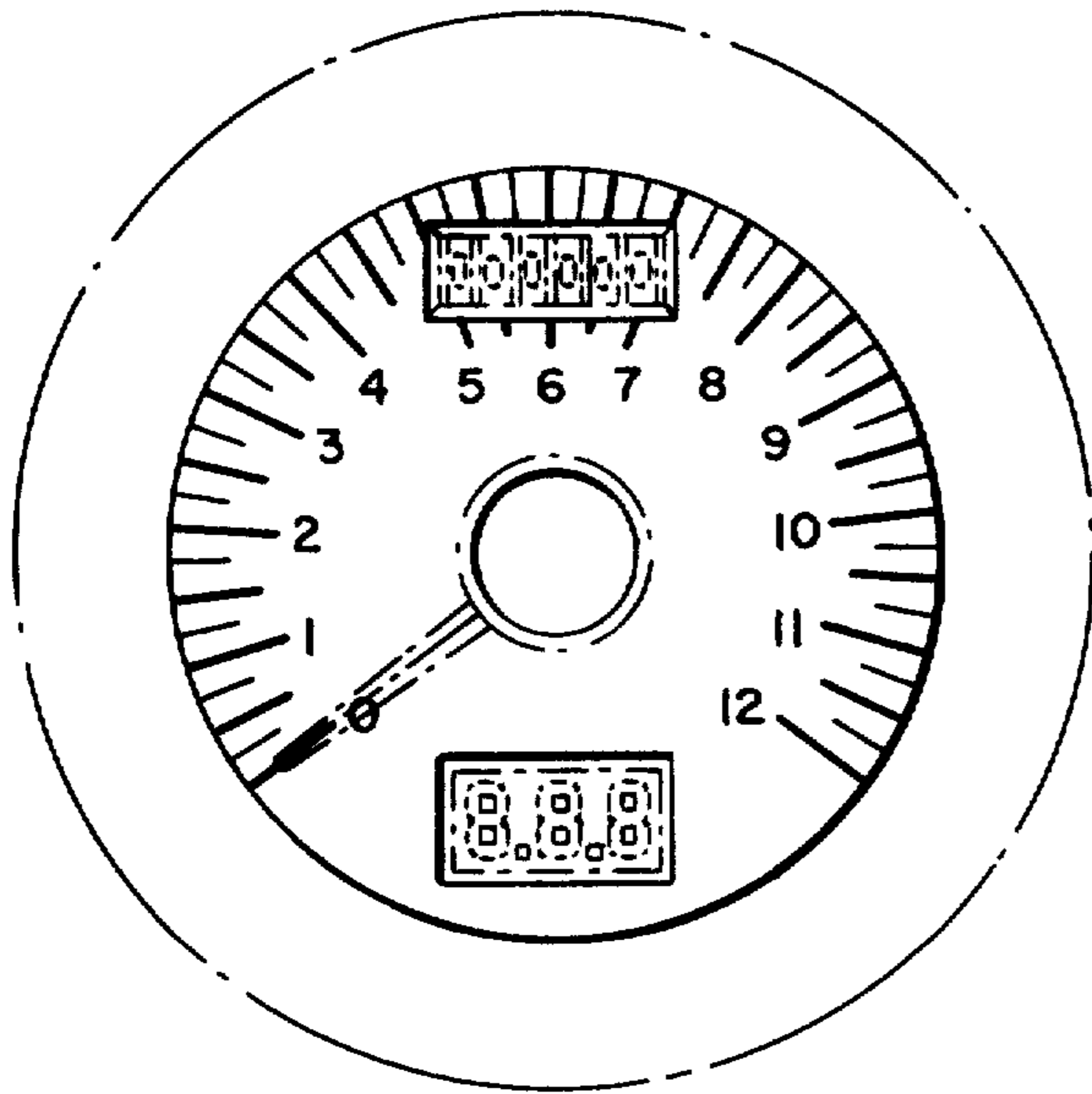


Fig. 2.

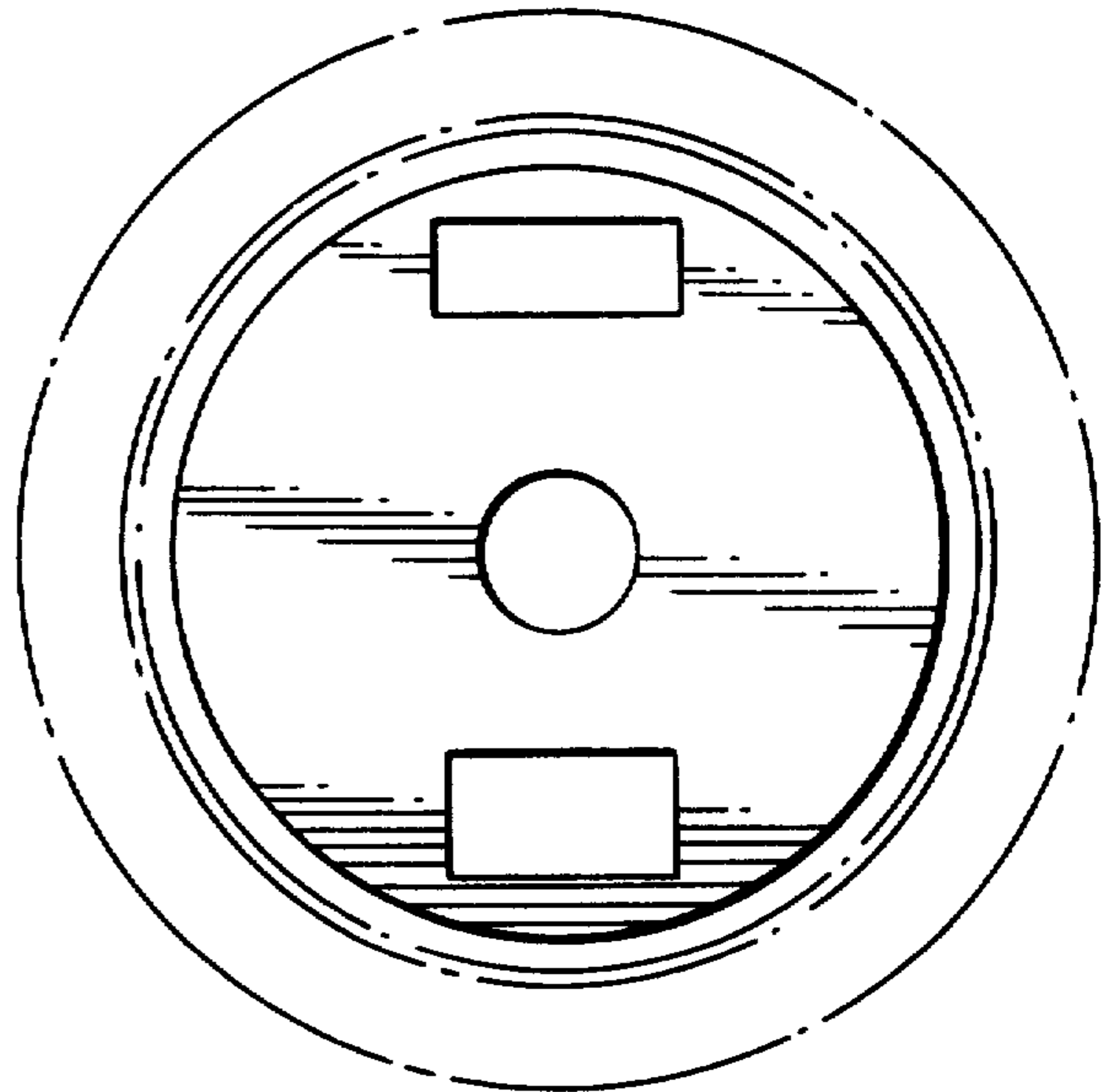


Fig. 3.

