

[54] LEVEL INDICATOR OR THE LIKE

[76] Inventors: Patrick N. Byrd, Rte. 2, Box 160A, Laurel Hill, N.C. 28351; Sam C. Reep, 101 McDonald Dr., Rockingham, N.C. 28379

[\*\*] Term: 14 Years

[21] Appl. No.: 323,089

[22] Filed: Nov. 19, 1981

[52] U.S. Cl. .... D10/69

[58] Field of Search ..... D10/69; 33/367

[56] References Cited

U.S. PATENT DOCUMENTS

D. 238,415 1/1976 Midgley ..... D10/69 X

D. 252,500 7/1979 Mason ..... D10/69  
2,308,088 1/1943 Liverman ..... D10/69 X  
3,577,645 5/1971 Zurawski ..... 33/367  
4,297,791 11/1981 Mende ..... 33/367

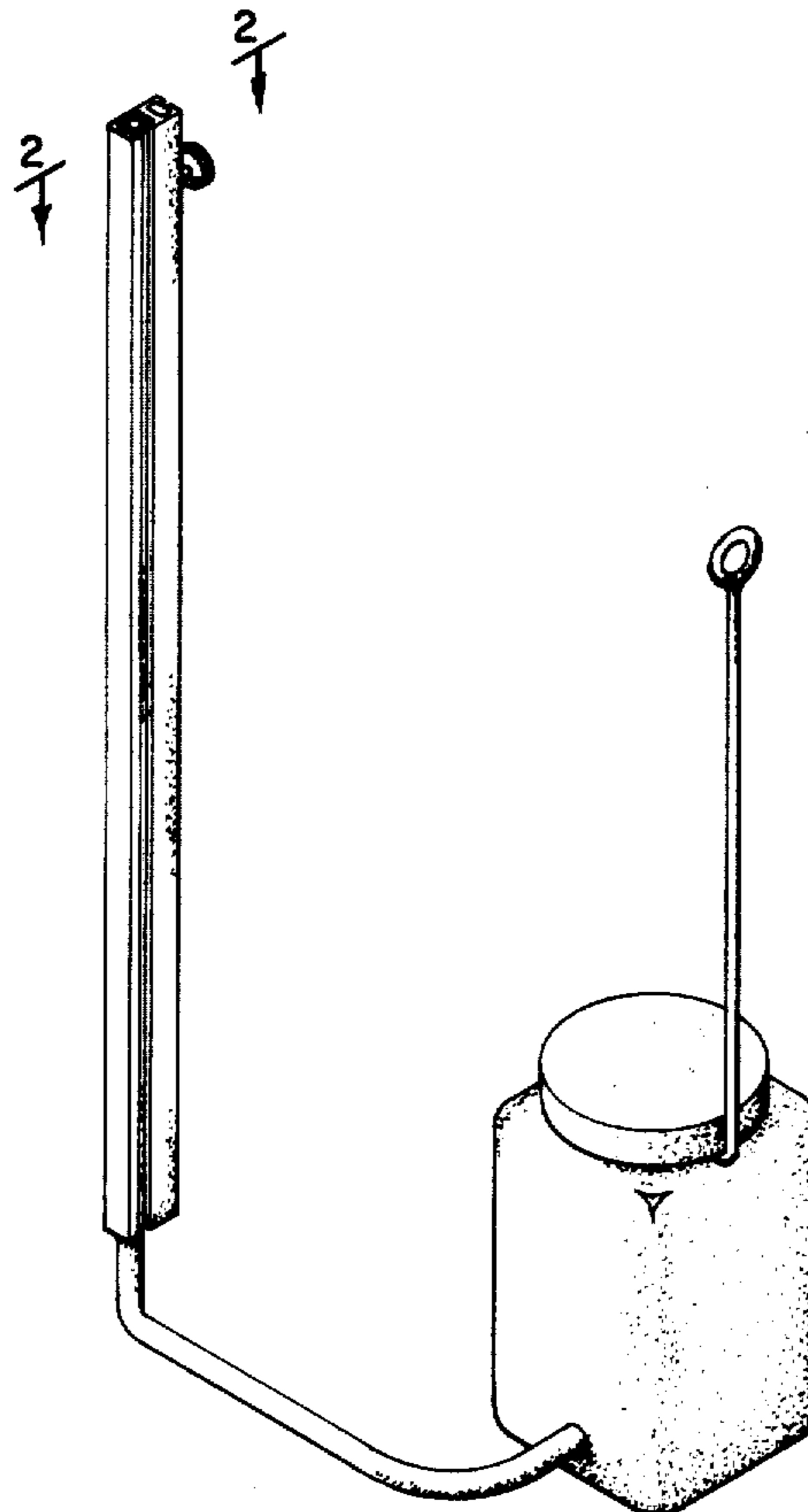
Primary Examiner—Nelson C. Holtje  
Attorney, Agent, or Firm—Mills and Coats

[57] CLAIM

The ornamental design for a level indicator or the like, as shown and described.

DESCRIPTION

FIG. 1 is a perspective view of a level indicator or the like showing my new design;  
FIG. 2 is a top plan view of the indicator portion of the design as taken from line 2—2 of FIG. 1;  
FIG. 3 is a side elevational view thereof, the opposite side being substantially a mirror image of that shown.



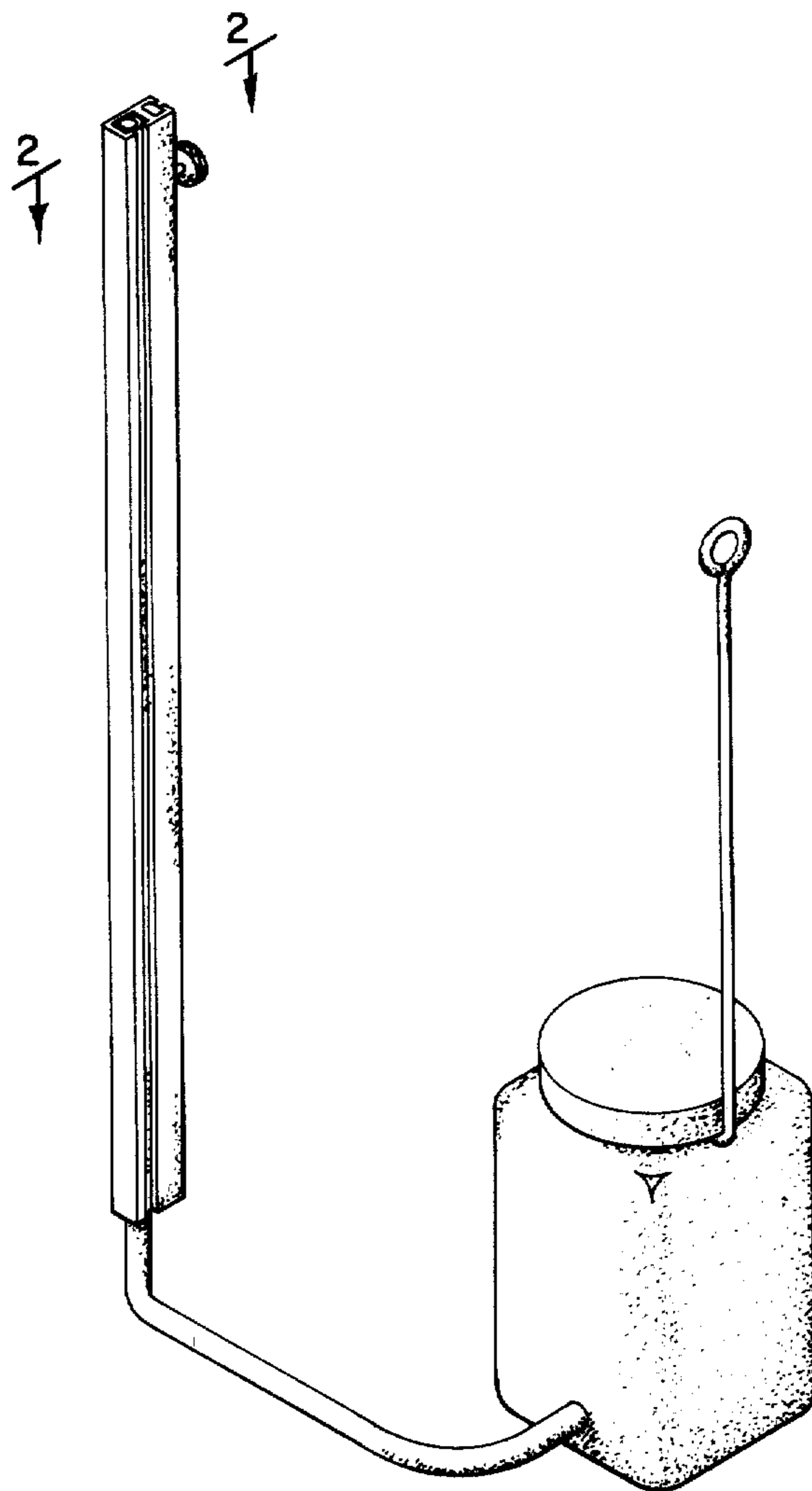


FIG. 1

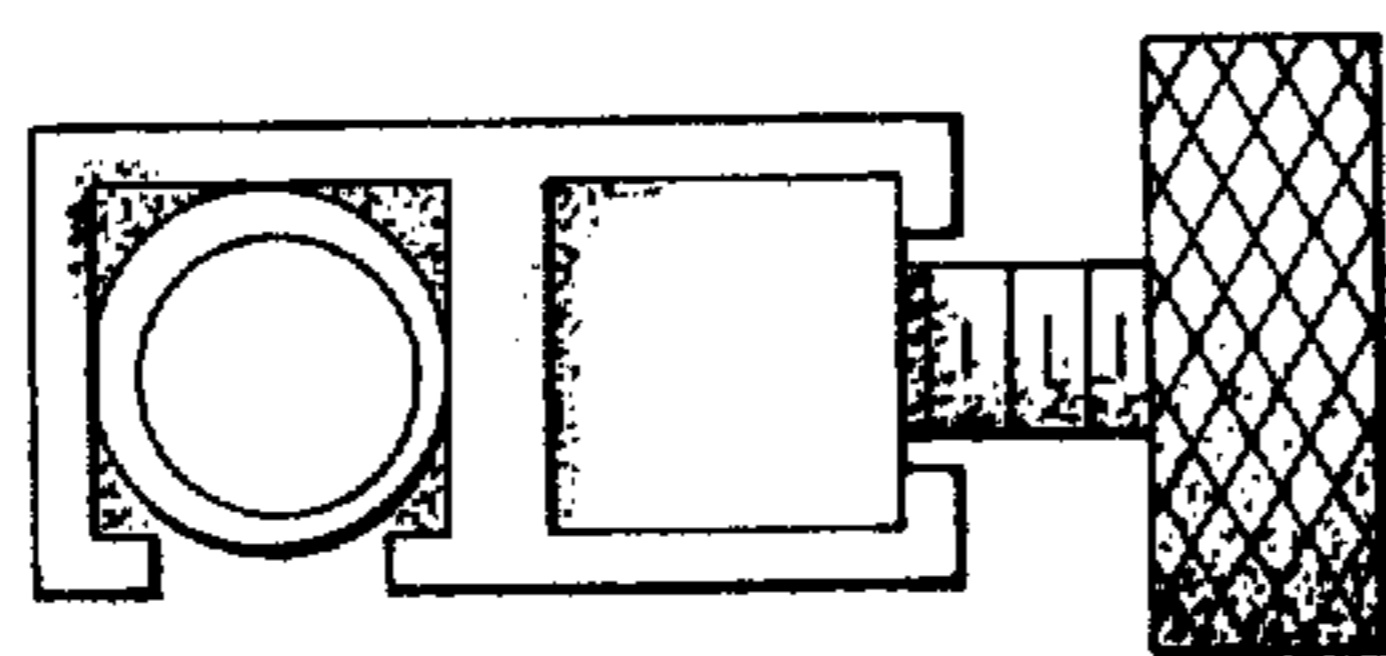


FIG. 2

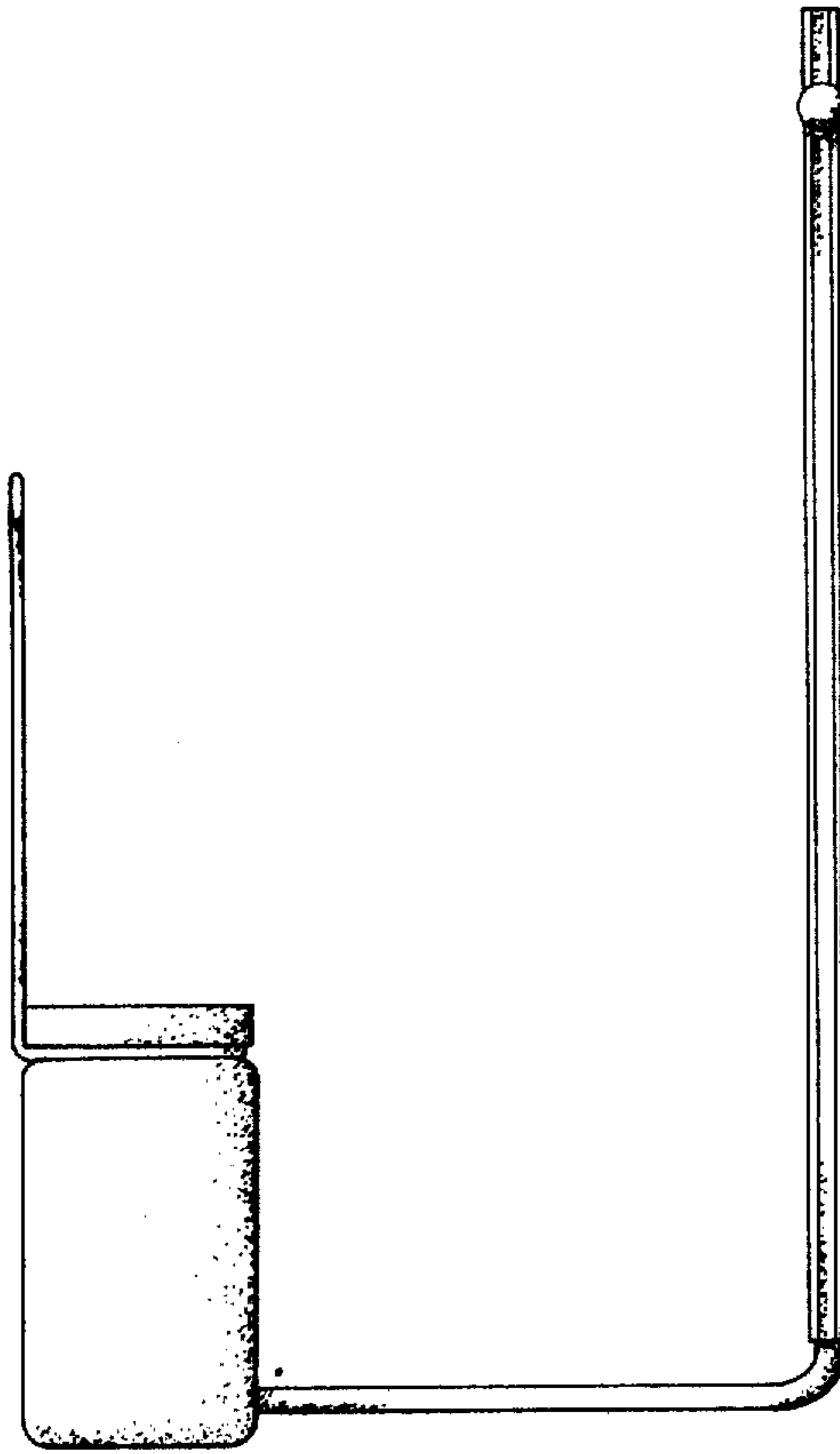


FIG. 3