

[54] STERILE CONTAINER
[76] Inventors: Thomas D. Driskell, 6142 Northgate Rd.; D. Scott Metsger, 6193 Central Park Dr., both of Columbus, Ohio 43229

3,338,400 8/1967 Edgworth et al. D9/415 X
3,356,279 12/1967 Root 229/17 B
3,881,257 5/1975 Chasen 206/461 X
4,169,531 10/1979 Wood 206/531
4,170,325 10/1979 Pawlowski 229/17 B
4,249,658 2/1981 Ogura 206/461 X
4,278,693 7/1981 Dingethal 206/461 X

[**] Term: 14 Years

Primary Examiner—Bernard Ansher
Attorney, Agent, or Firm—Woodard, Weikart, Emhardt & Naughton

[21] Appl. No.: 332,678

[22] Filed: Dec. 21, 1981

[52] U.S. Cl. D9/415; D24/99;
206/461; 206/368; 206/63.5

[58] Field of Search 53/492; D9/415;
206/531, 42, 461, 368, 63.5, 369; 229/17 B;
221/63, 260; D24/29, 99

[57] CLAIM

The ornamental design for a sterile container, as shown and described.

DESCRIPTION

FIG. 1 is a perspective view of an apparatus constructed in accordance with the present invention, and particularly showing the first and second containers.

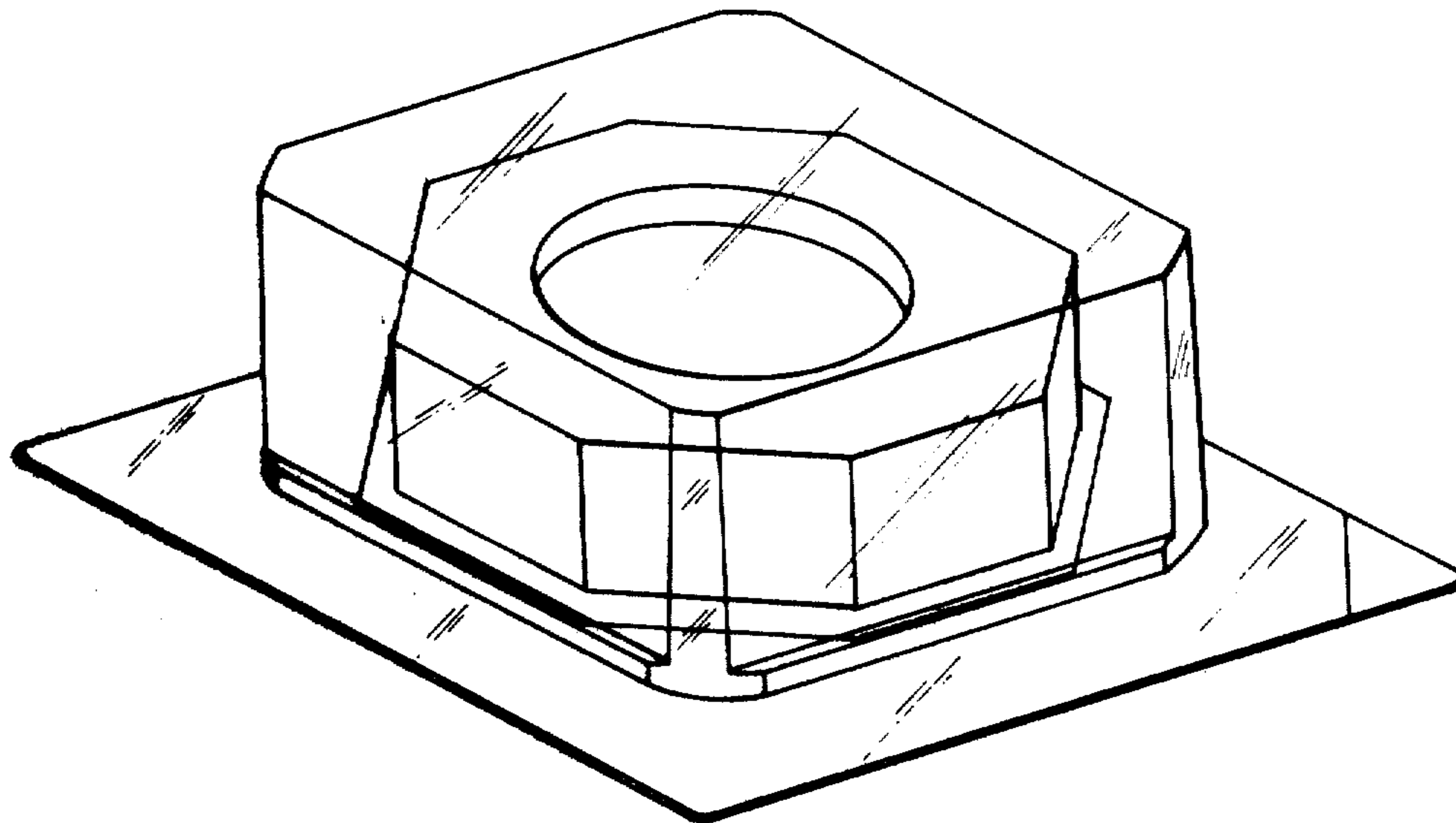
FIG. 2 is a front, cross-sectional view of the apparatus of FIG. 1.

FIG. 3 is a top, plan view of the apparatus of FIG. 1.

[56] References Cited

U.S. PATENT DOCUMENTS

D. 266,829 11/1982 Yoshizawa D9/415
3,255,880 6/1966 Grossman D9/415 X



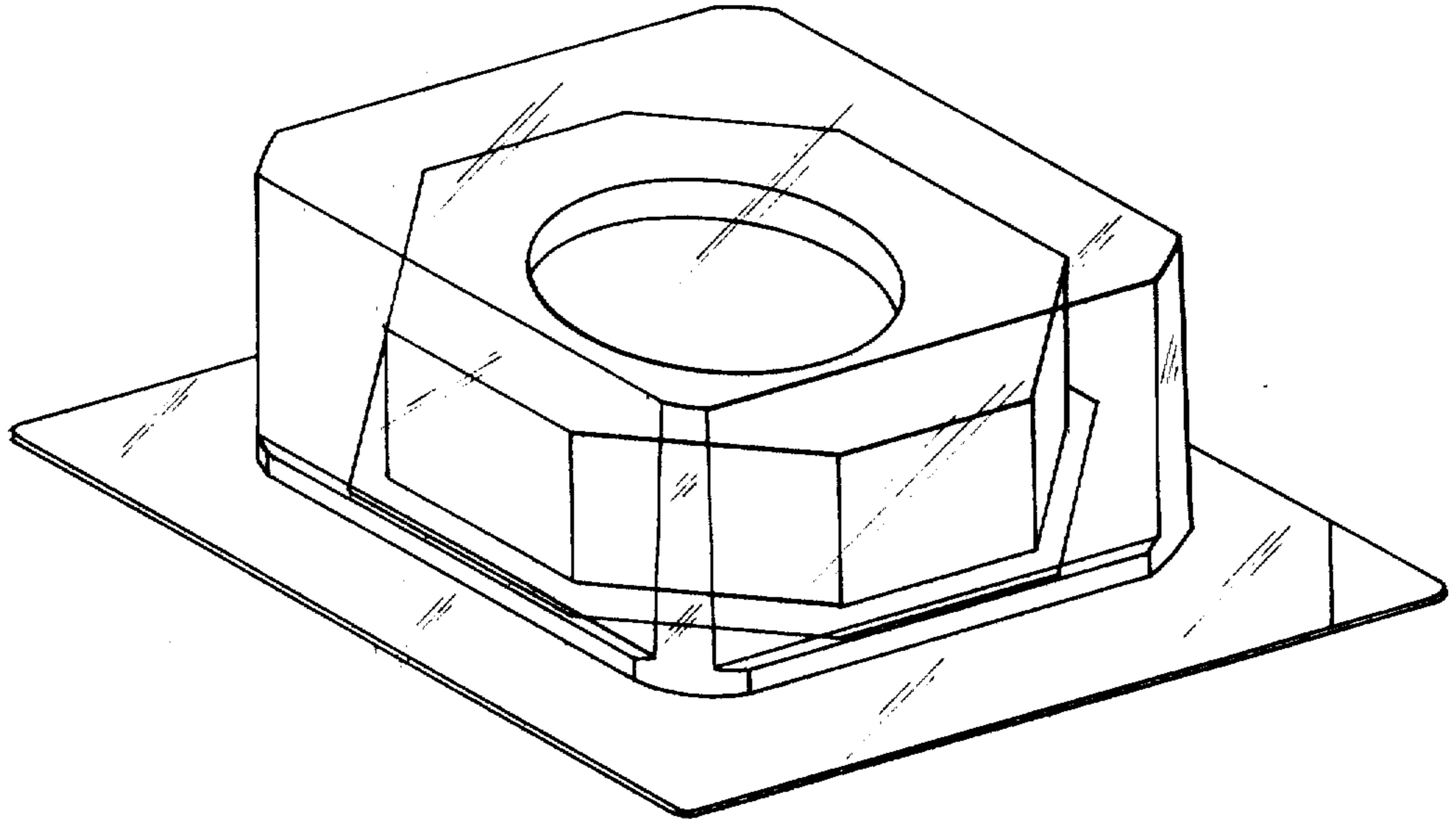


Fig. 1

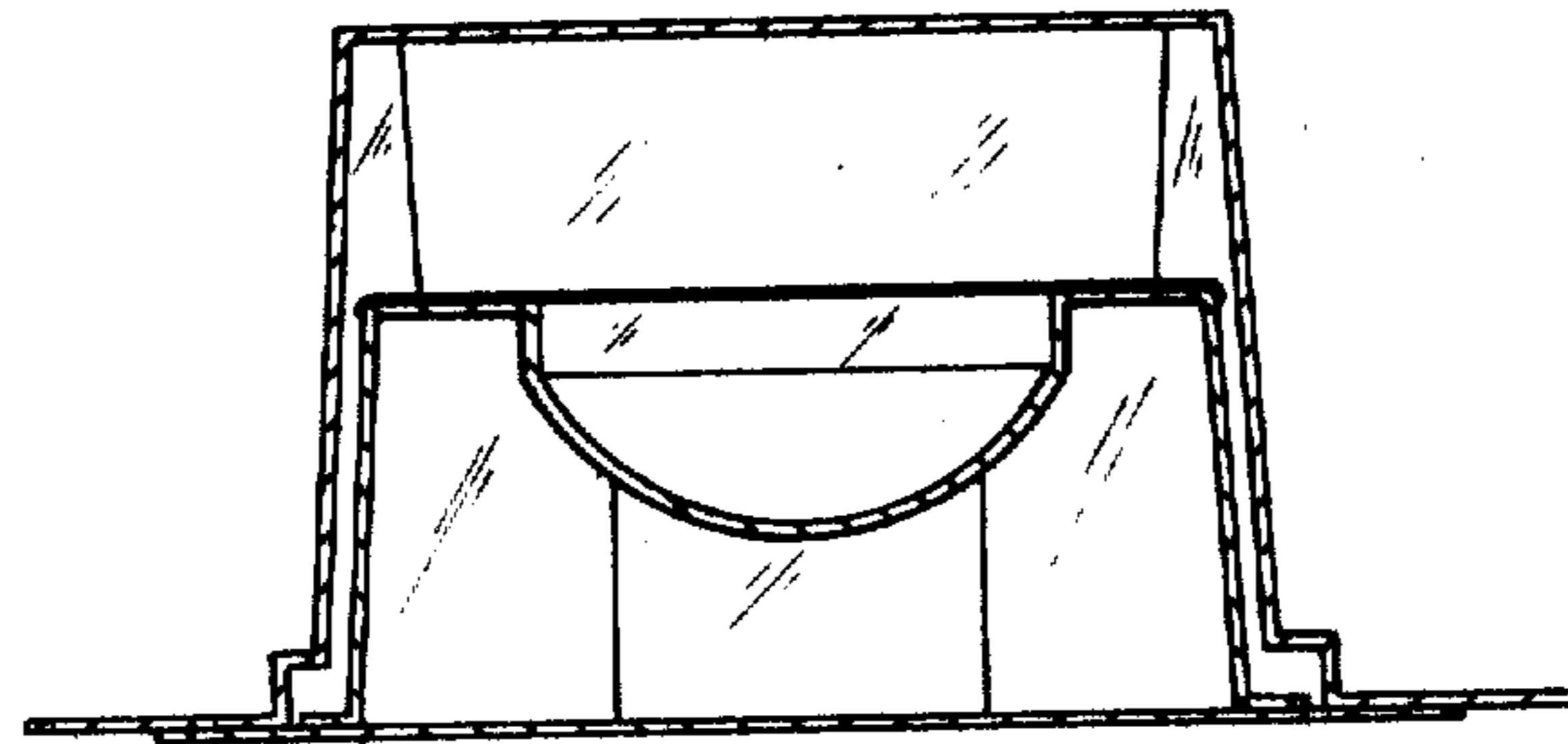


Fig. 2

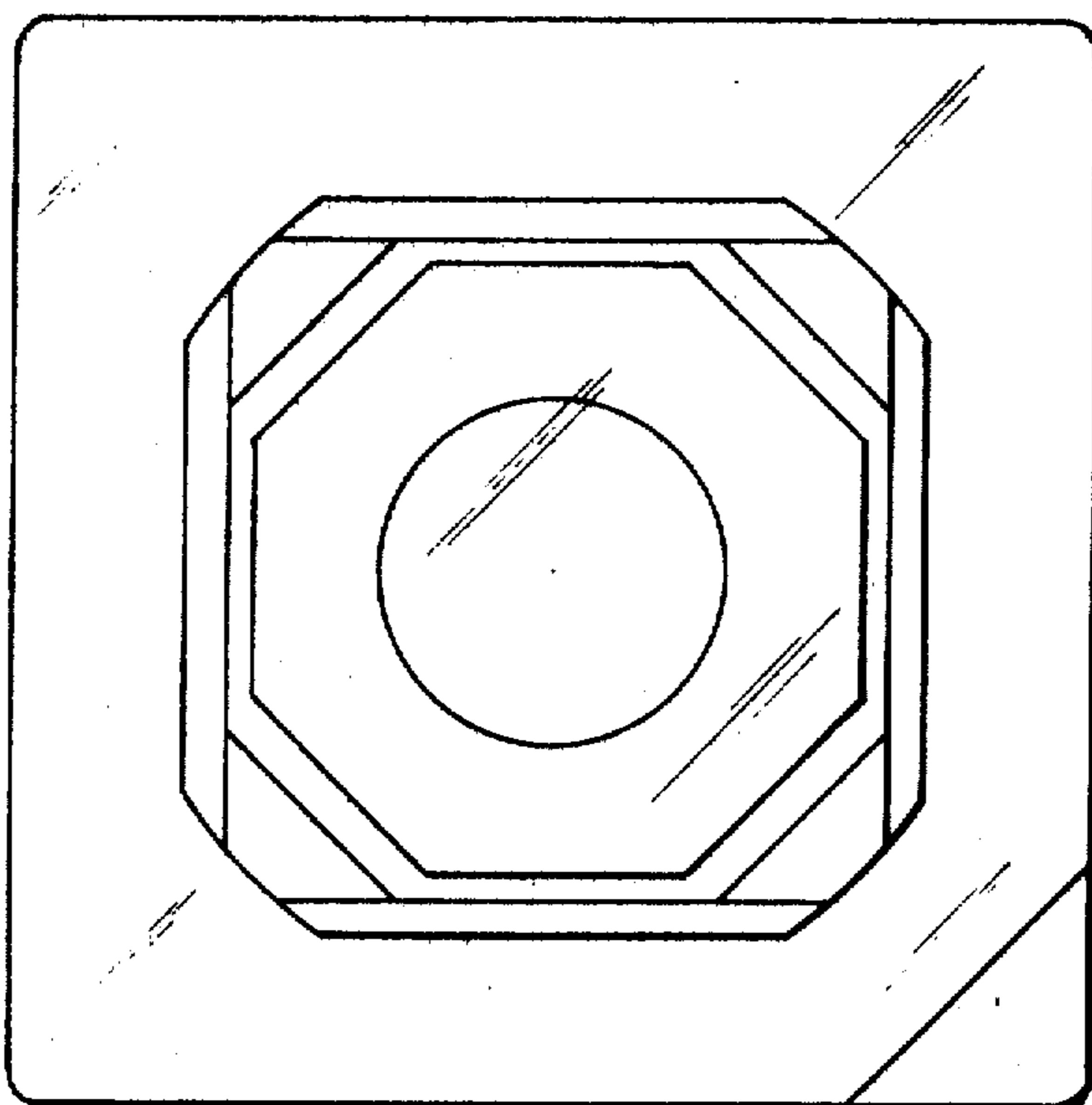


Fig. 3