

[54] REEL FOR AN EXTENSION CORD
 [76] Inventor: Bobby D. Butler, Rte. 8, Hendron Rd., Paducah, Ky. 42001
 [**] Term: 14 Years
 [21] Appl. No.: 320,921
 [22] Filed: Nov. 13, 1981
 [52] U.S. Cl. D8/359
 [58] Field of Search D8/359, 358; 242/96, 242/104, 106, 84.1 R

4,151,966 5/1979 Lindsay 242/106
 4,251,038 2/1981 Gename D8/359
 4,282,954 8/1981 Hill D8/359
 4,284,180 8/1981 Masters 242/96

Primary Examiner—Wallace R. Burke
 Assistant Examiner—Horace B. Fay
 Attorney, Agent, or Firm—King and Liles

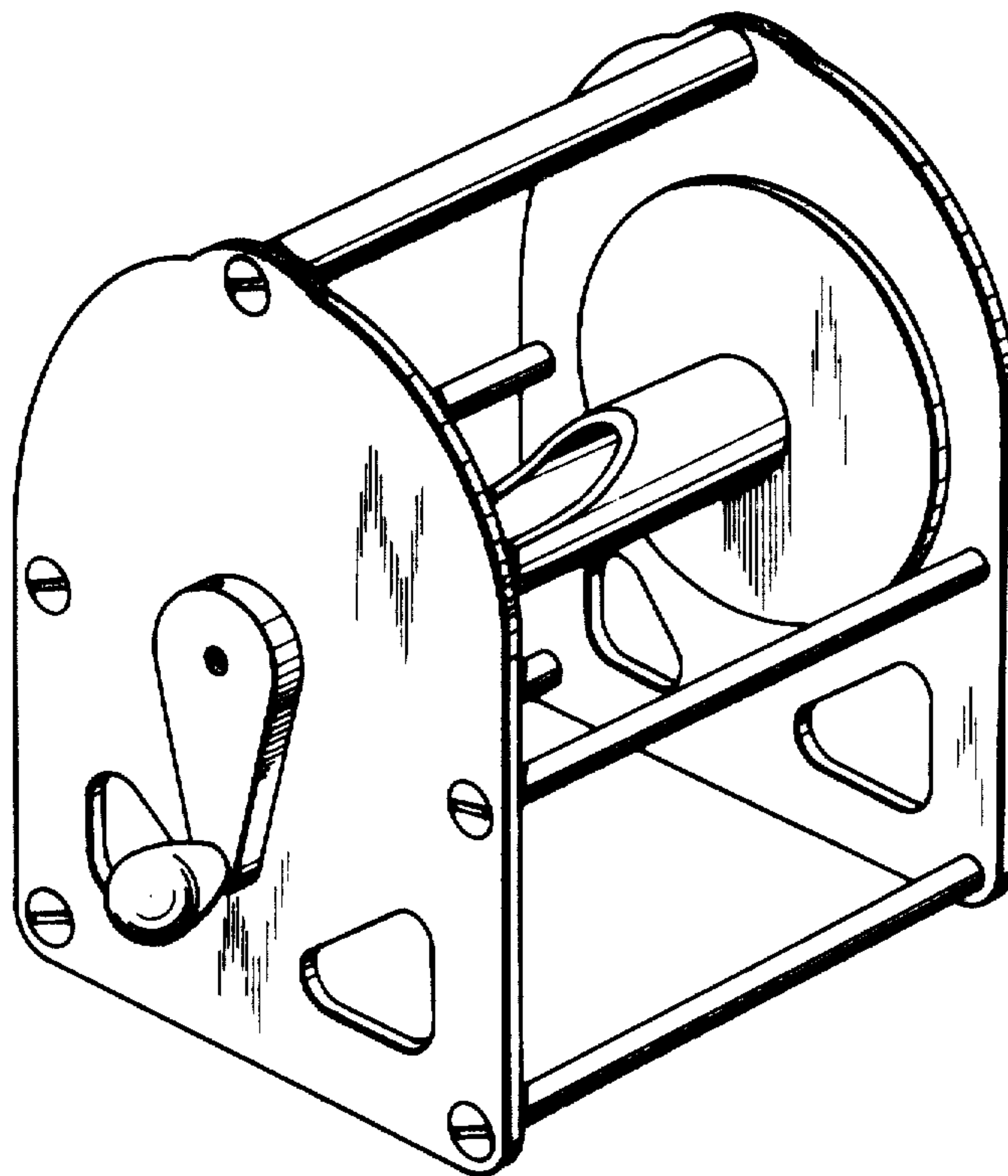
[57] CLAIM

The ornamental design for a reel for an extension cord, as shown and described.

DESCRIPTION

FIG. 1 is a perspective view taken from the front and left side of a reel for an extension cord showing my new design;
 FIG. 2 is a front elevational view thereof;
 FIG. 3 is a top plan view thereof;
 FIG. 4 is a left side elevational view thereof;
 FIG. 5 is a right side elevational view thereof; and
 FIG. 6 is a bottom plan view thereof.

[56] References Cited
 U.S. PATENT DOCUMENTS
 D. 147,372 8/1947 Marsh D8/359
 D. 200,791 4/1965 Smith D8/358
 D. 226,165 1/1973 Miller D8/358
 2,709,867 6/1955 Routh 242/106
 3,835,267 9/1974 Sharpe .
 3,876,045 4/1975 Knarreborg .
 4,072,278 2/1978 Petersen 242/96



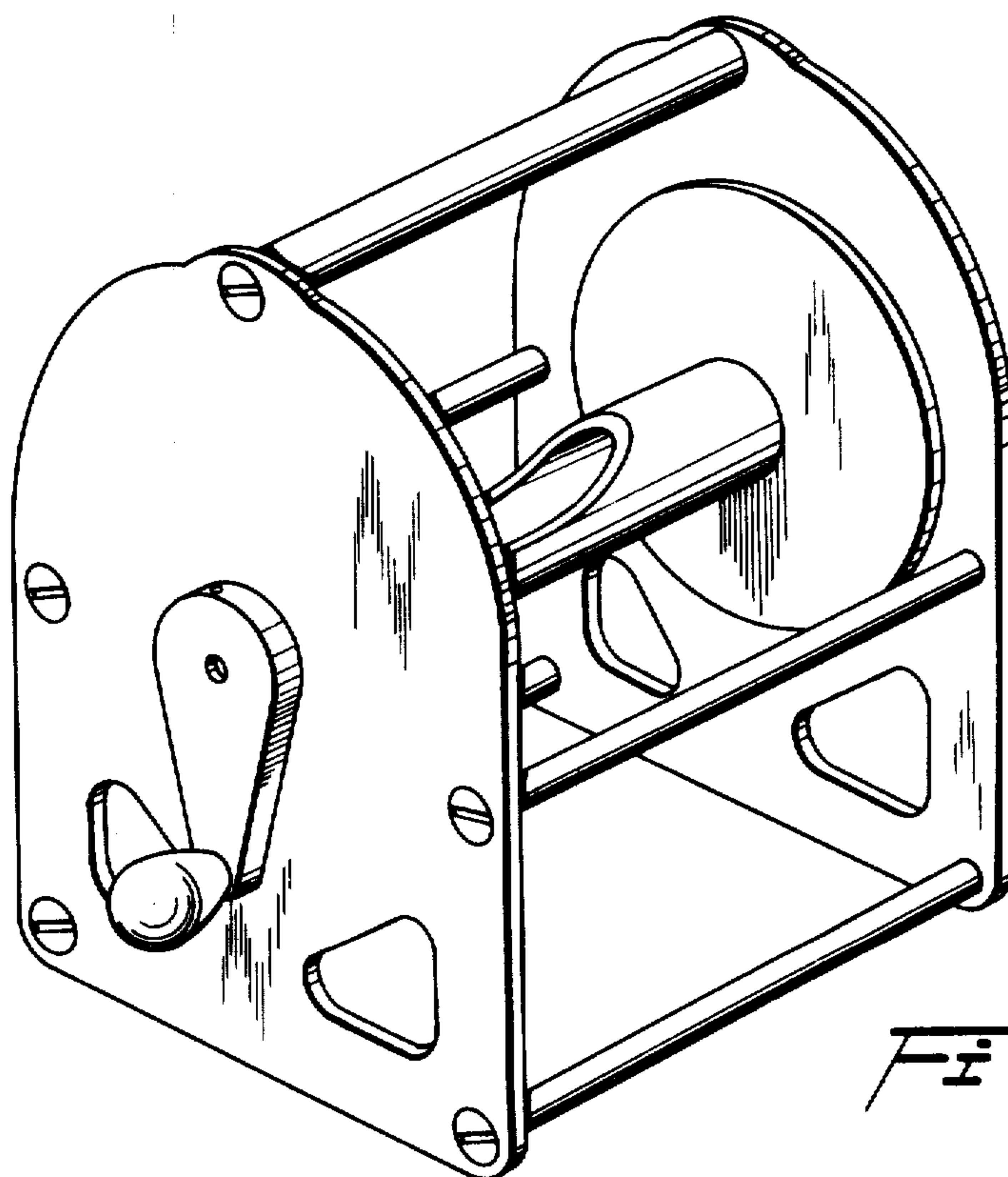


Fig. 1

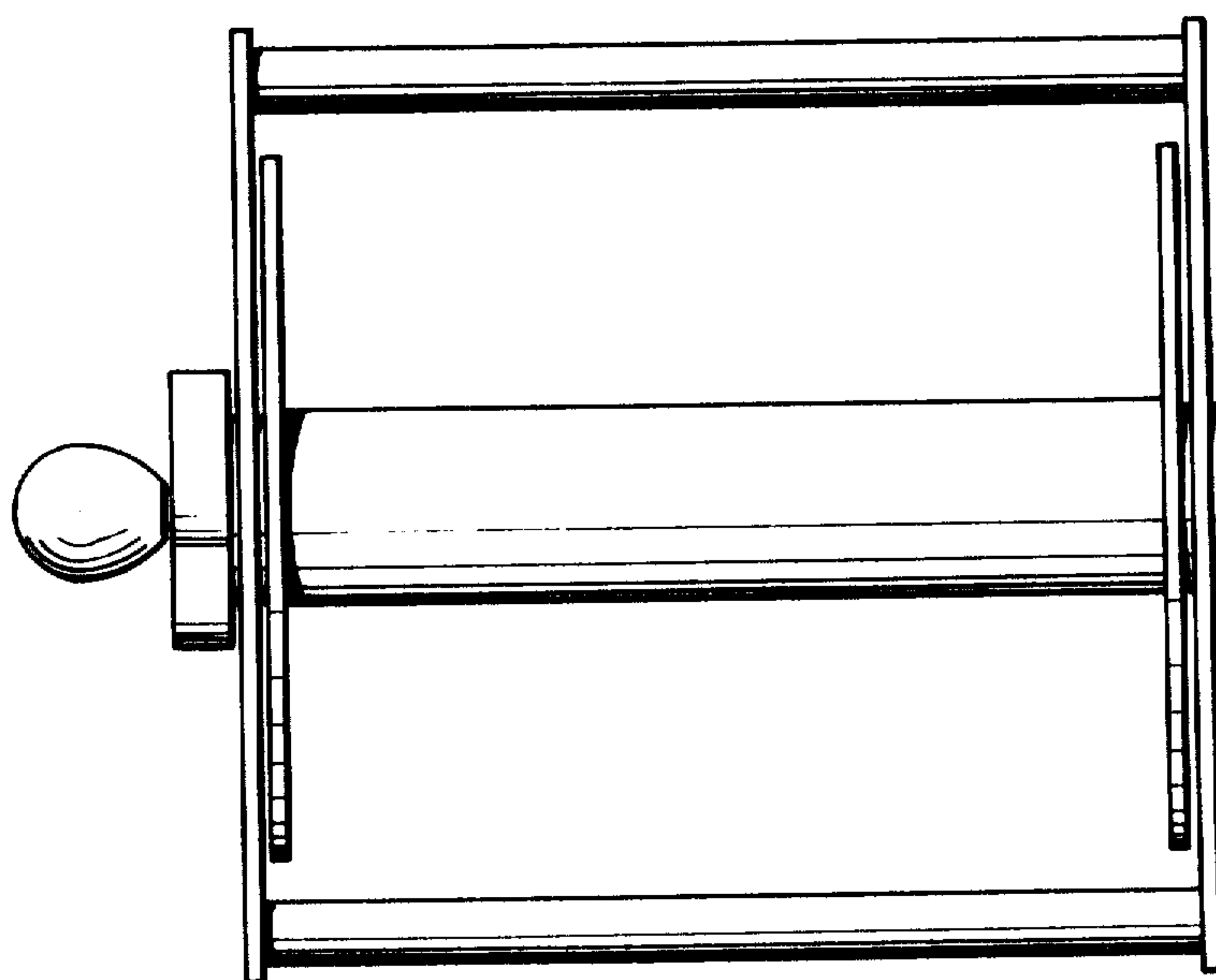


Fig. 6

Fig. 2

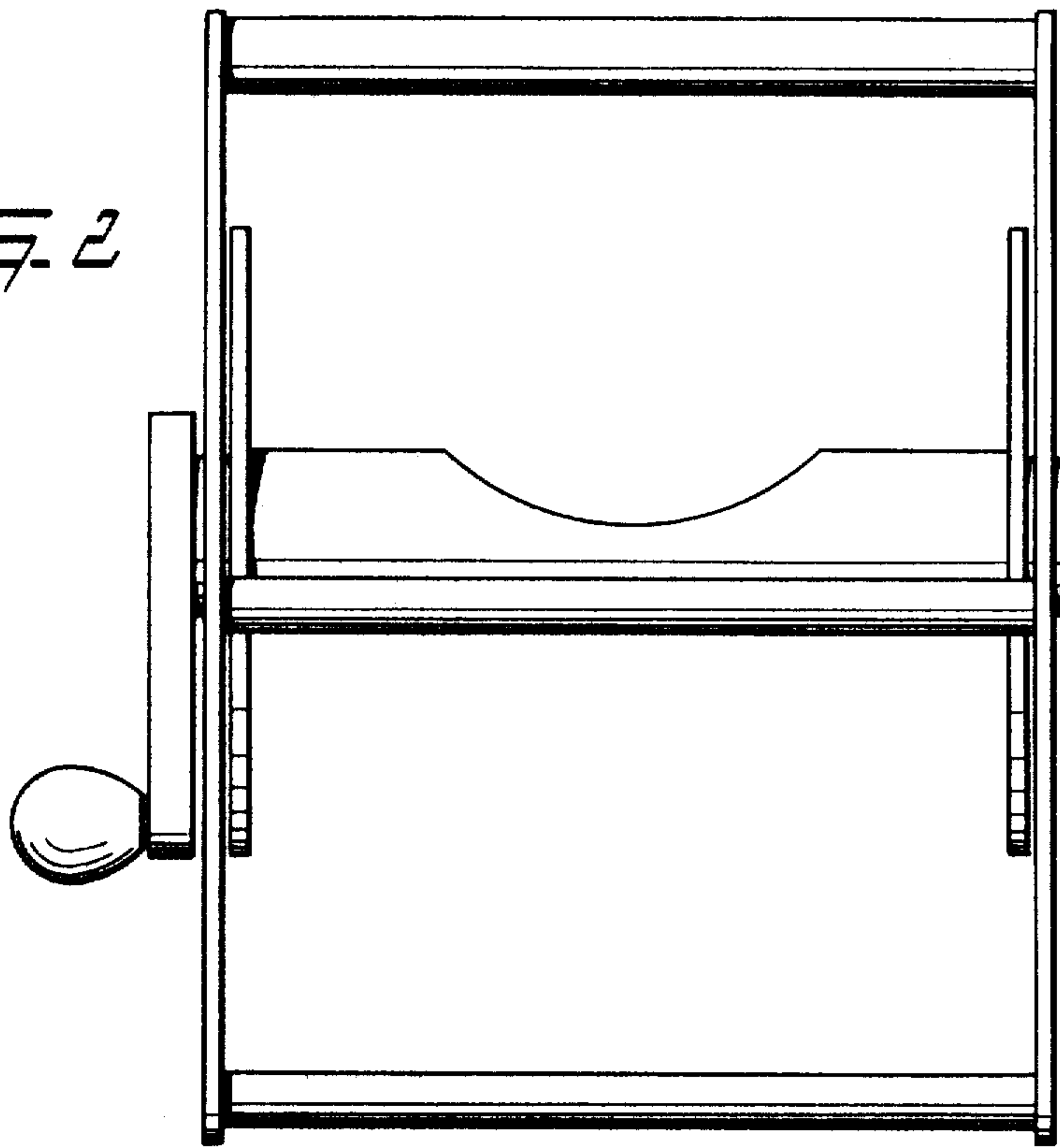


Fig. 3

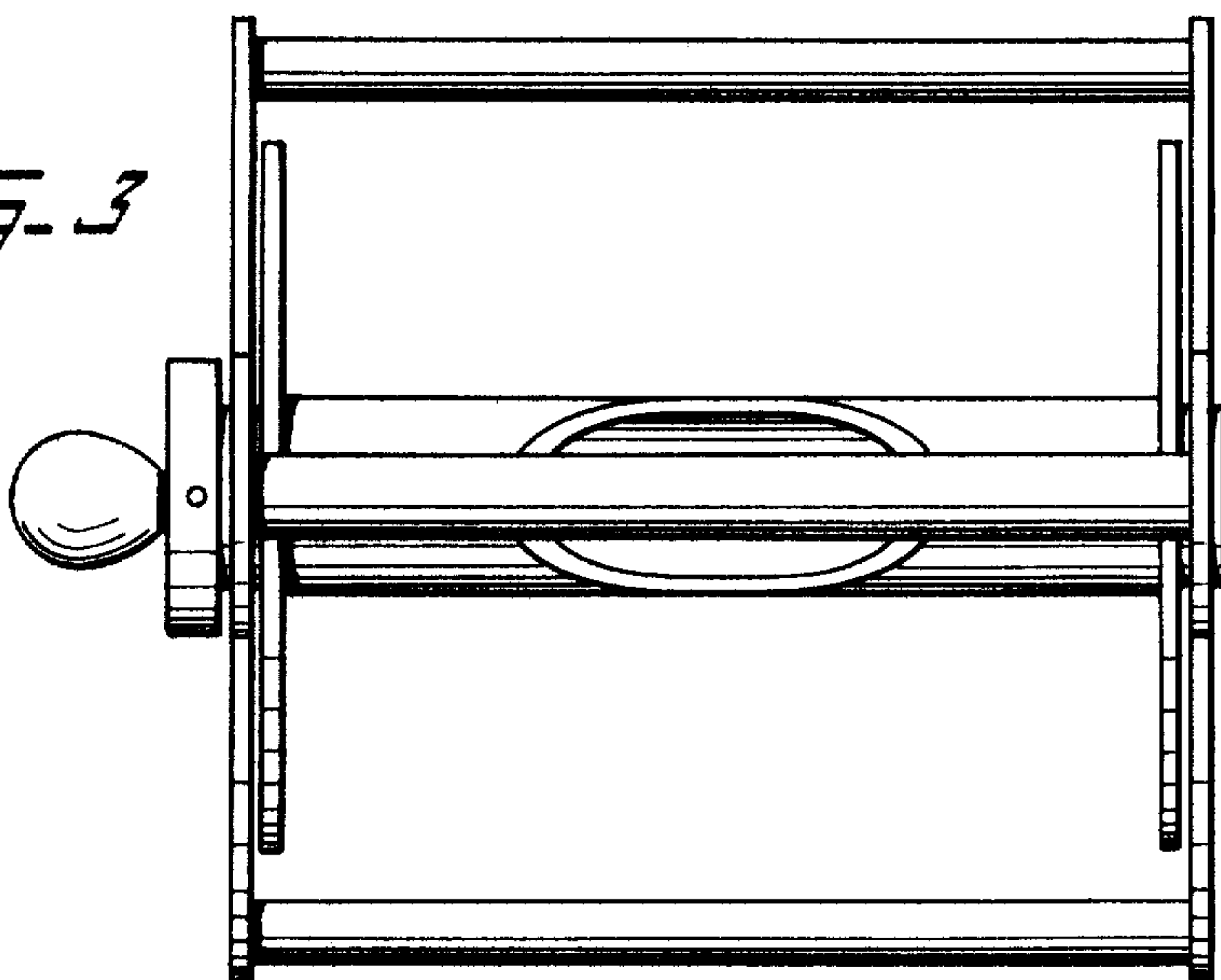


Fig. 4

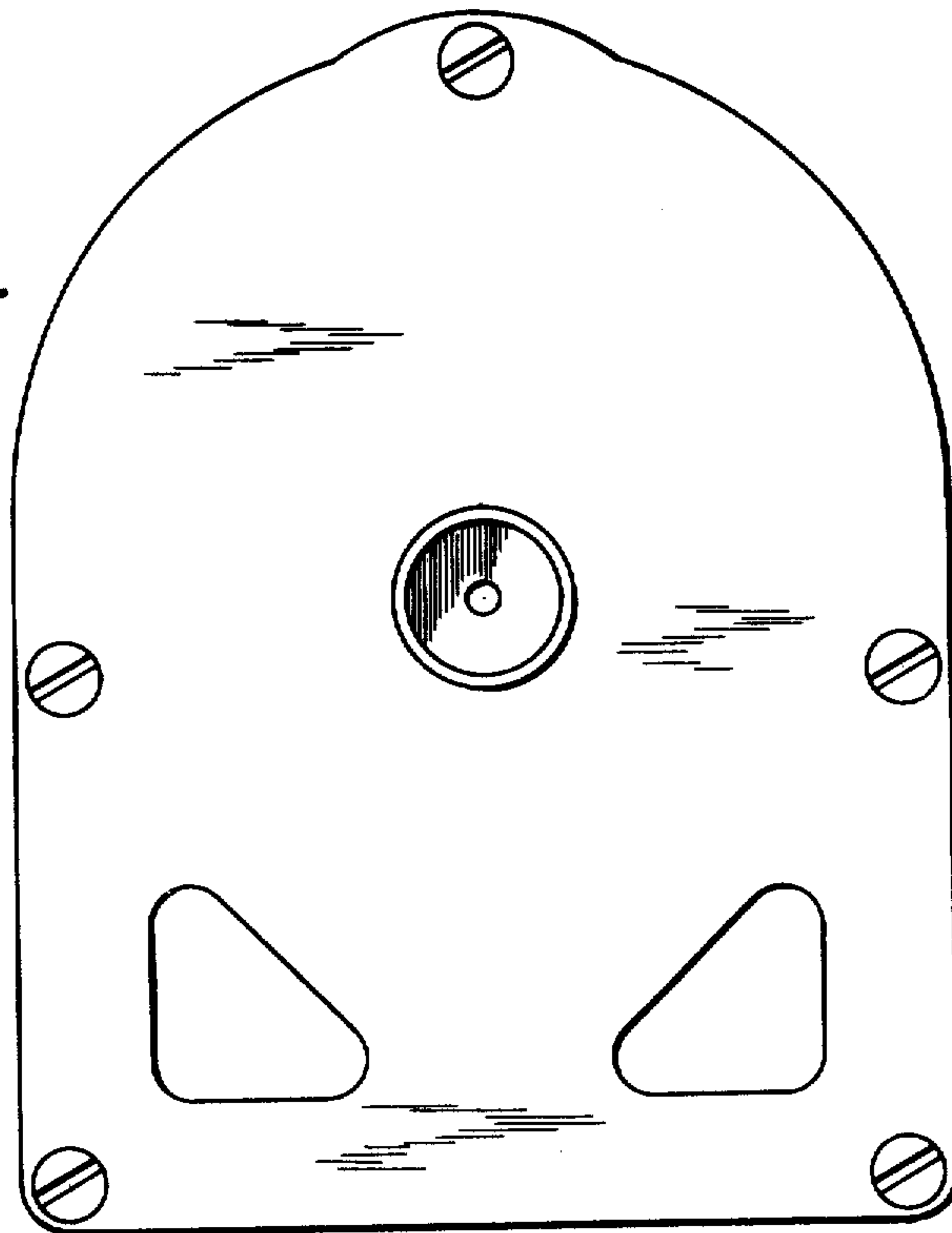


Fig. 5

