

[54] FURNITURE PEDESTAL

[75] Inventor: Donald C. Petitt, New York, N.Y.

[73] Assignee: Hauserman, Inc., Int. Furniture & Textile Division, Norwalk, Conn.

[**] Term: 14 Years

[21] Appl. No.: 254,419

[22] Filed: Apr. 15, 1981

[52] U.S. Cl. D6/196

[58] Field of Search D6/30, 31, 196

[56] References Cited

U.S. PATENT DOCUMENTS

D. 159,003 6/1950 Rothschild D6/196

OTHER PUBLICATIONS

Interiors, Dec. 1961, p. 128, chair pedestal left center. Harter Corp. Catalog, Section 3, chair No. 604.

Primary Examiner—Bruce W. Dunkins
Attorney, Agent, or Firm—Maky, Renner, Otto & Boisselle

[57] CLAIM

The ornamental design for a furniture pedestal, substantially as shown and described.

DESCRIPTION

FIG. 1 is a perspective view of a furniture pedestal in accordance with the present invention;

FIG. 2 is a view opposite that of FIG. 1;

FIG. 3 is an enlarged side elevation of the pedestal, the opposite side, and right and left hand elevations being the same;

FIG. 4 is a top plan view of the pedestal on a slightly reduced scale;

FIG. 5 is a bottom plan view;

FIG. 6 is a view similar to FIG. 2, but shown as five-legged pedestal; and

FIG. 7 is an enlarged top plan view of the five-legged pedestal of FIG. 6.

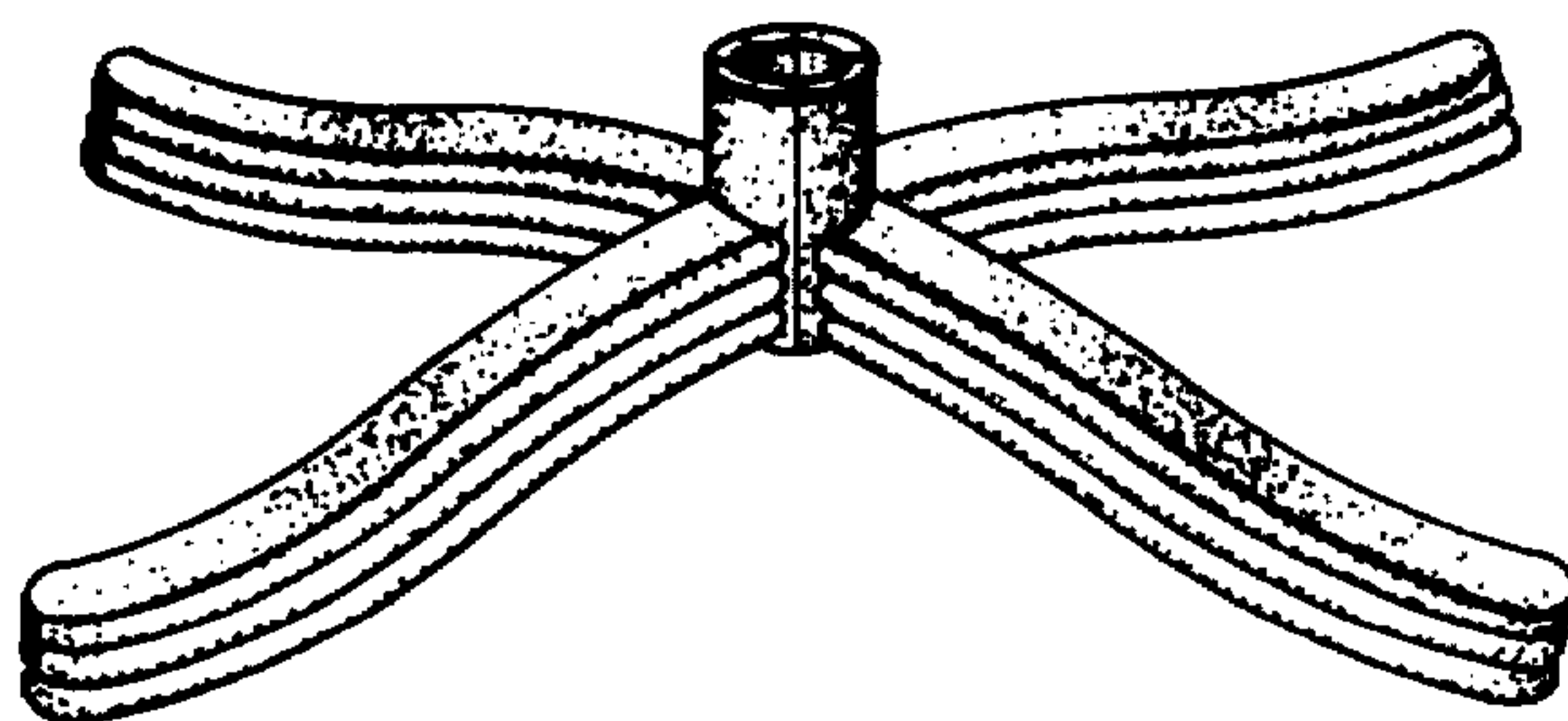


FIG. 1

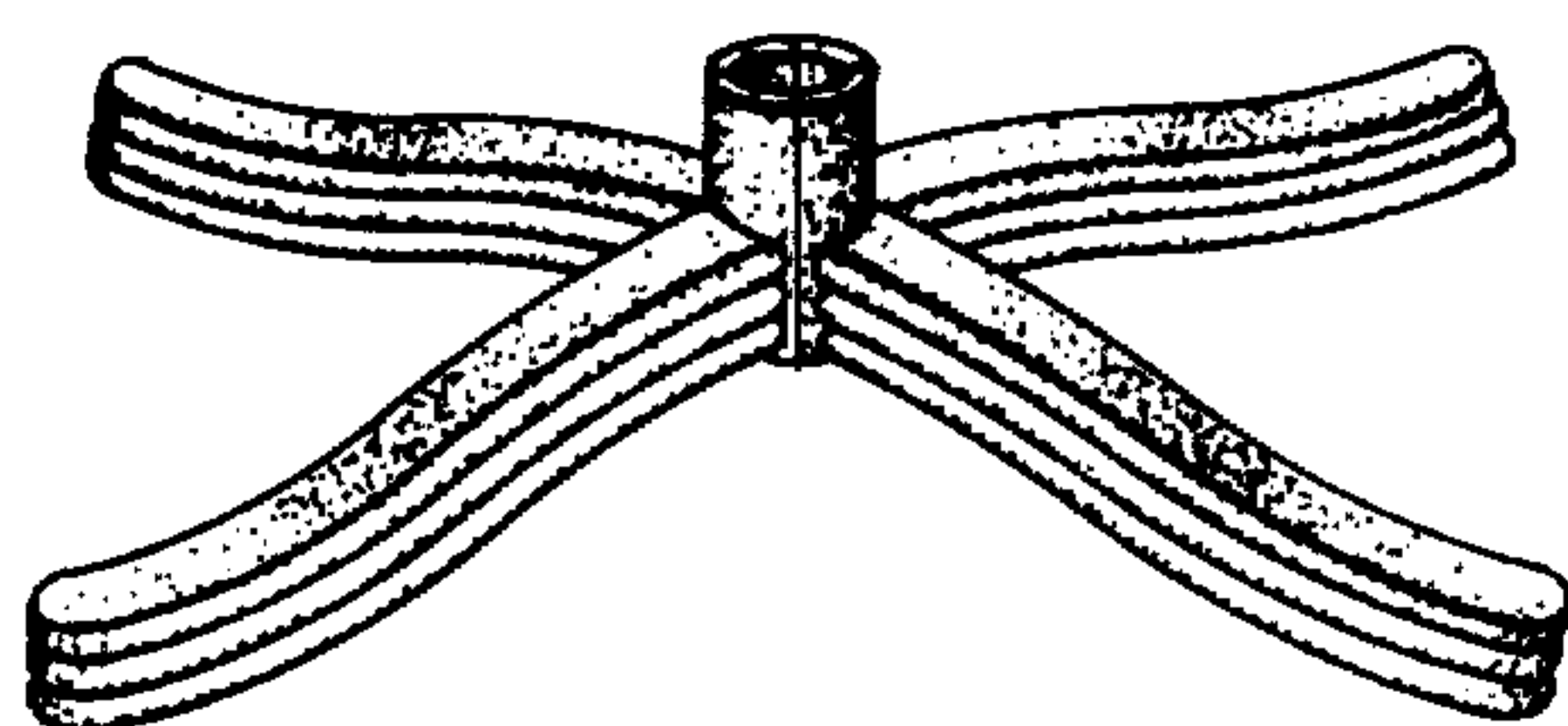


FIG. 2

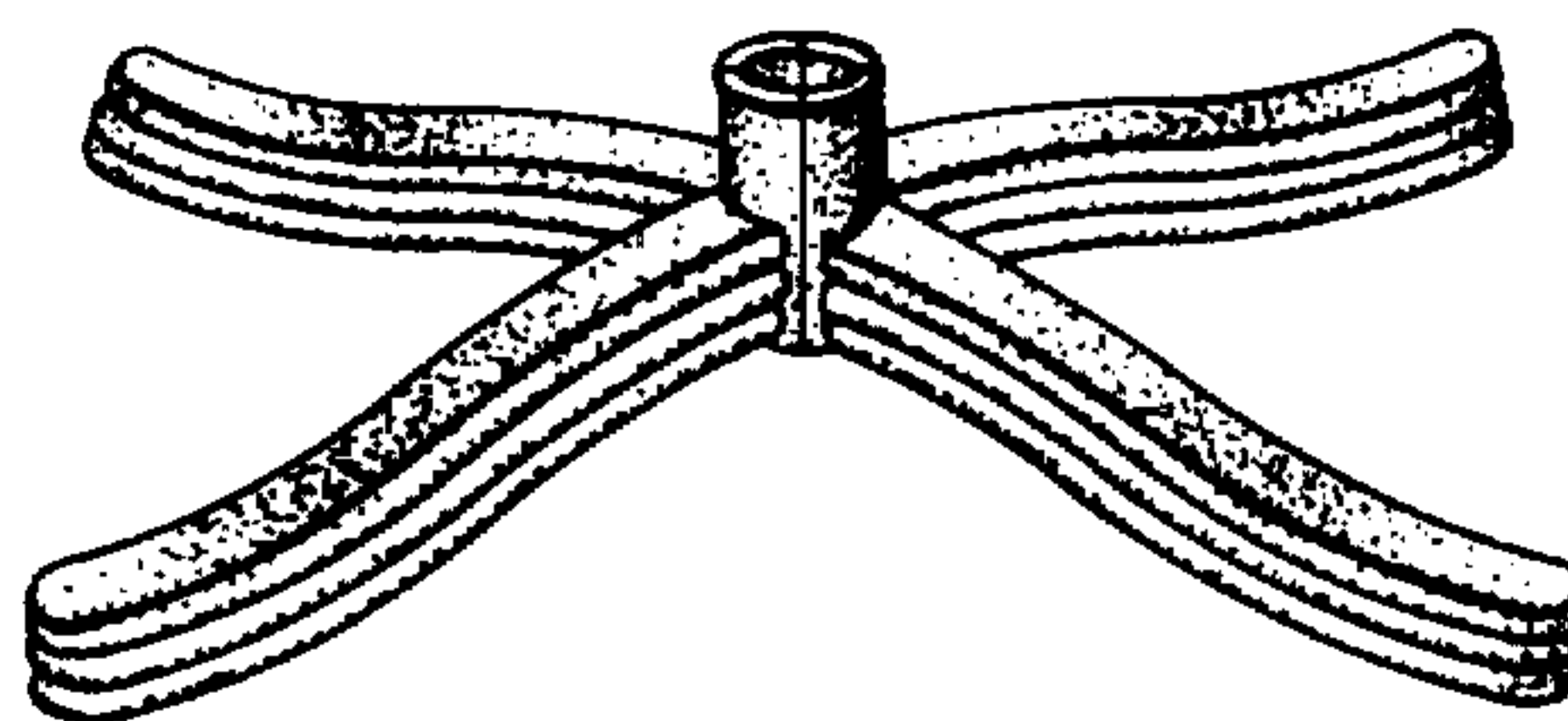


FIG. 4

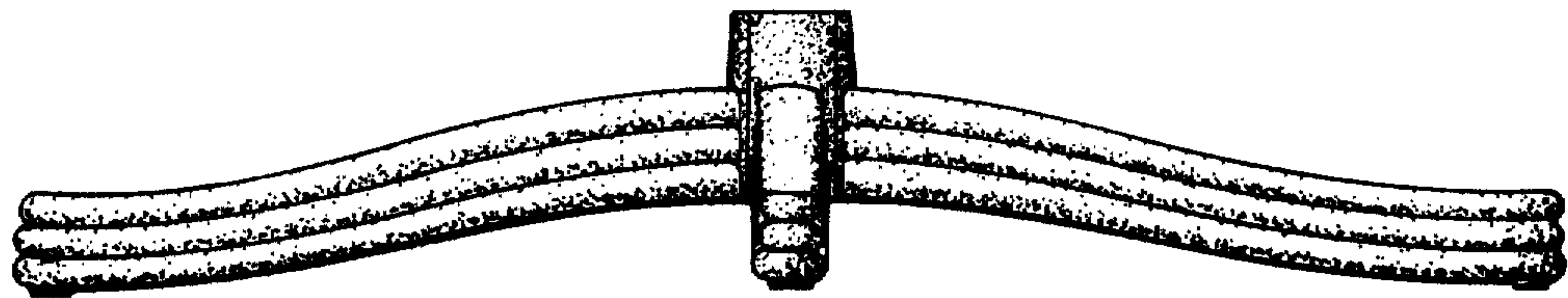
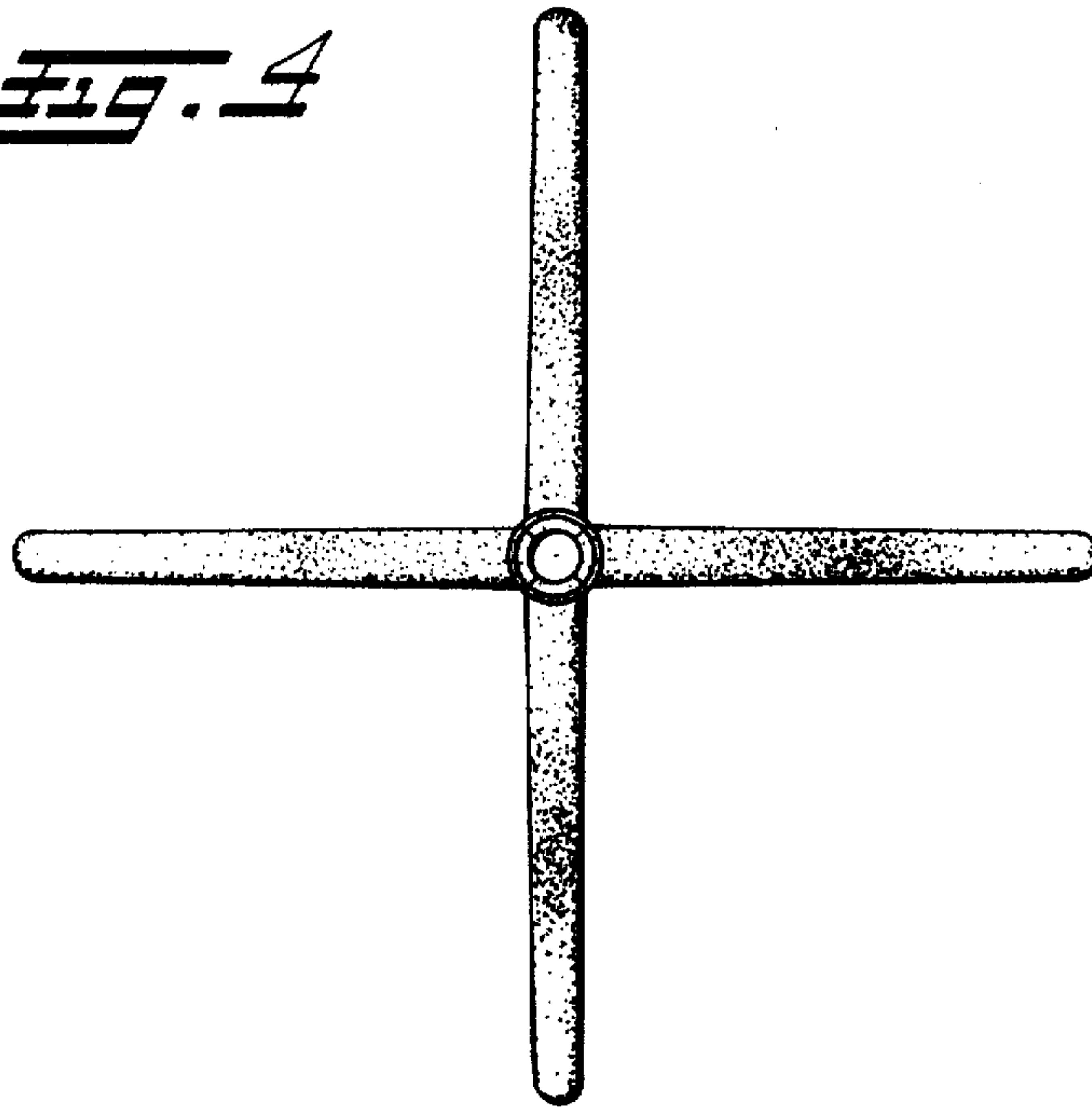


FIG. 3

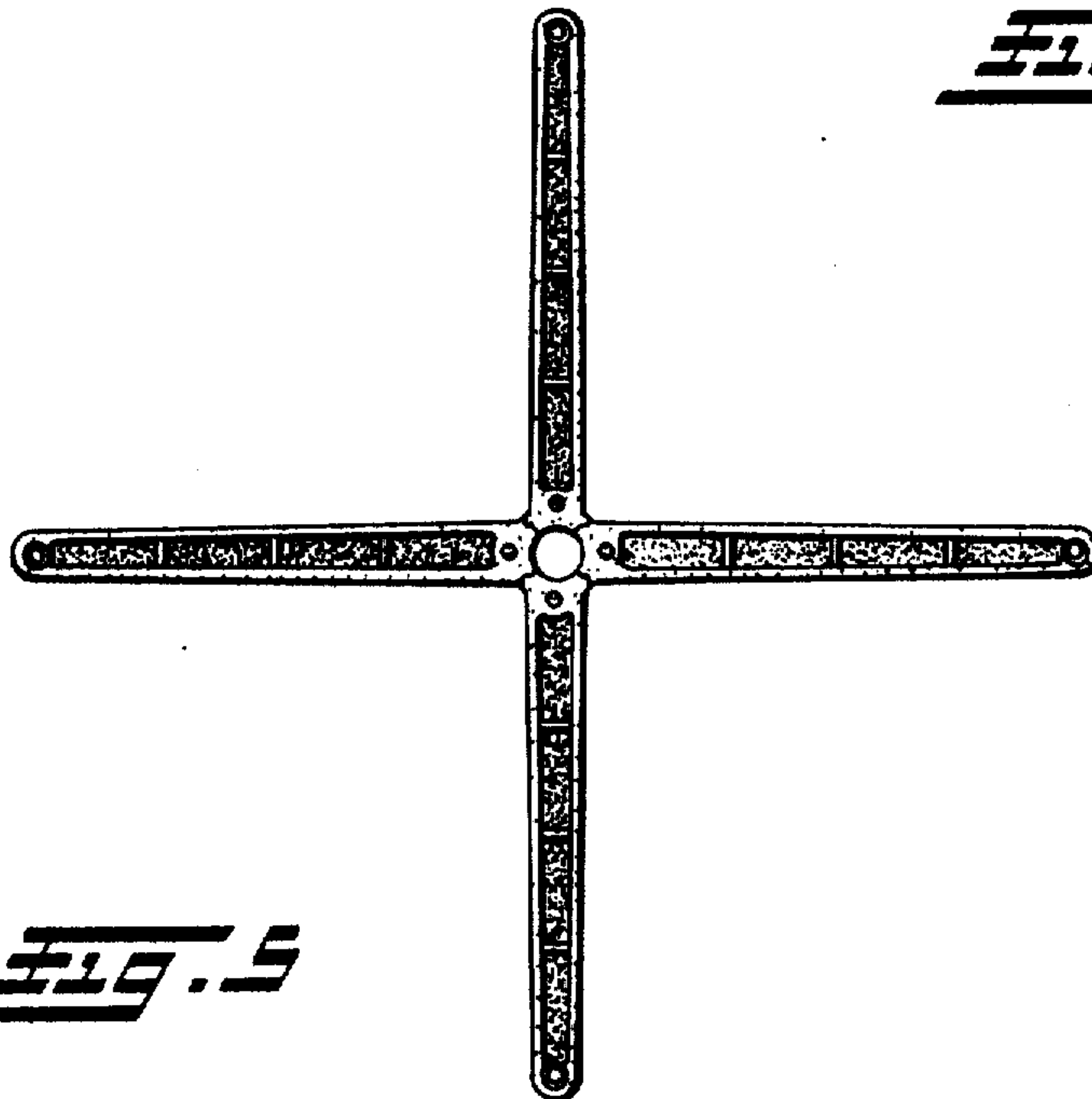


FIG. 5

FIG. 6

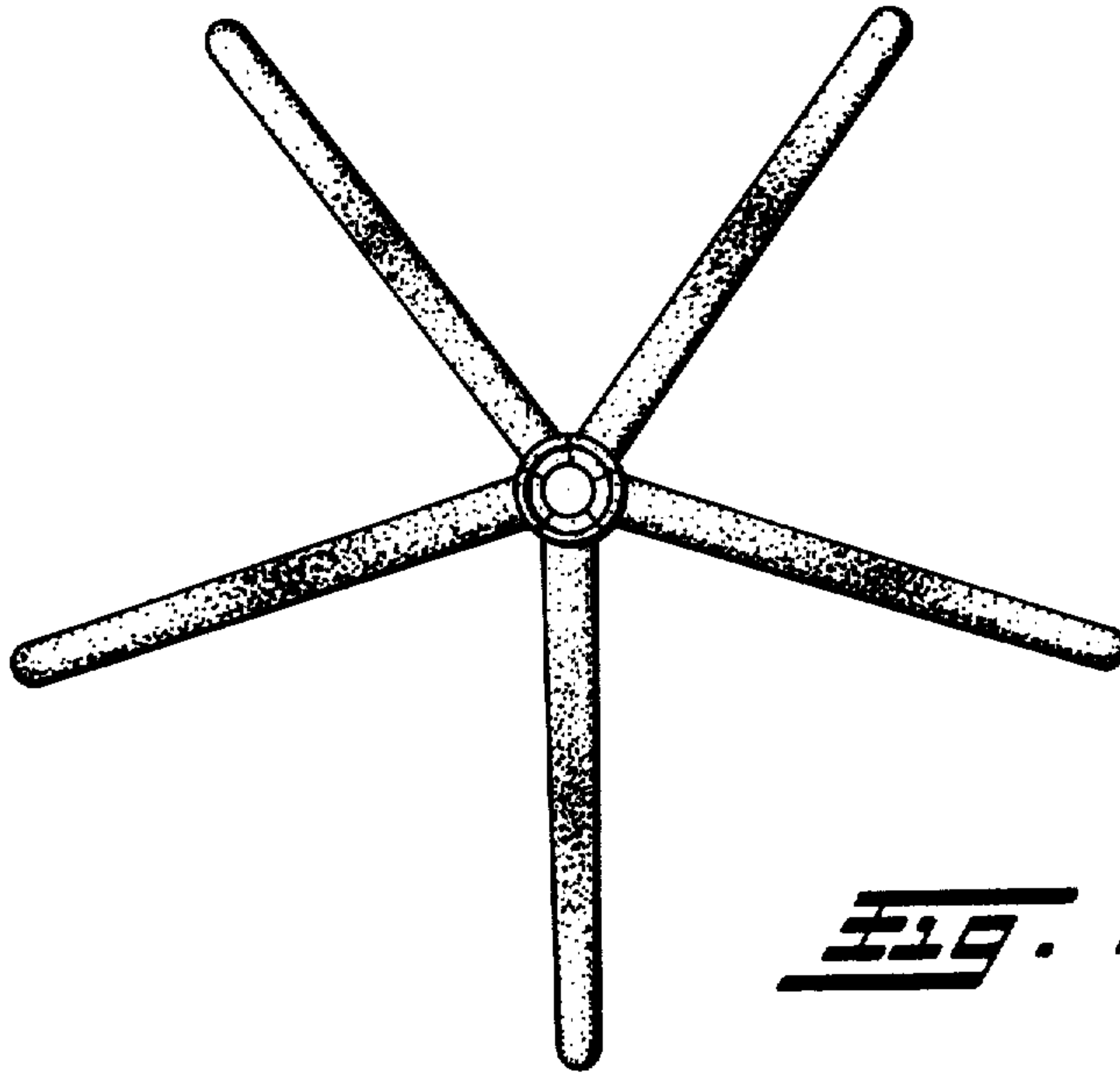
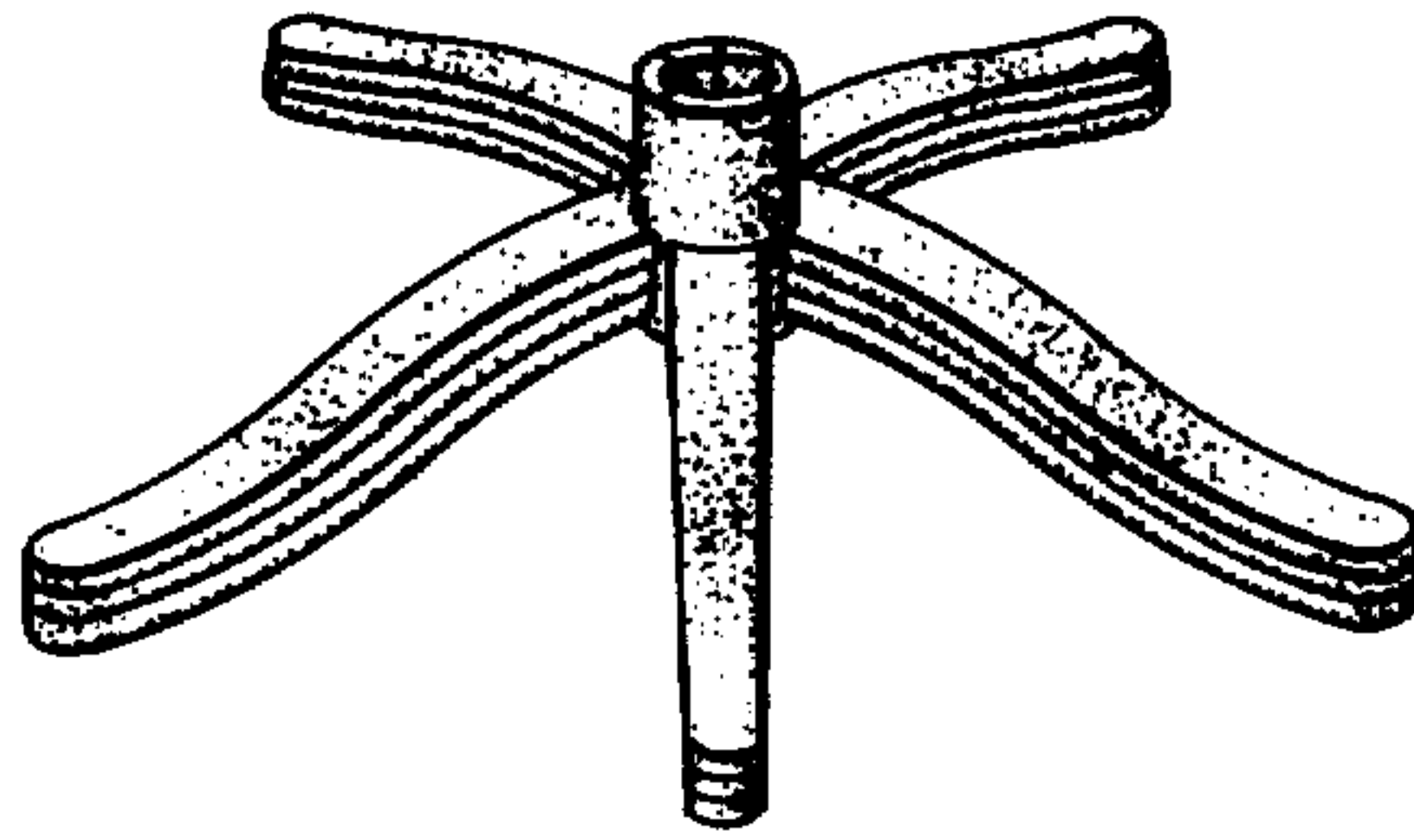


FIG. 7