

[54] CANOPY FOR MERCHANDISE DISPLAY ASSEMBLY

[75] Inventor: Ronald H. Taub, Highland Park, Ill.

[73] Assignee: Mars, Incorporated, McLean, Va.

[**] Term: 14 Years

[21] Appl. No.: 317,281

[22] Filed: Nov. 2, 1981

[52] U.S. Cl. D6/191

[58] Field of Search D6/157, 186, 190, 191; 211/197

[56] References Cited

U.S. PATENT DOCUMENTS

- D. 243,577 3/1977 Schouter D6/157 X
- D. 255,631 7/1980 Sniderman D6/190
- D. 259,528 6/1981 Crane et al. D6/186 X
- D. 260,708 9/1981 Schindler et al. D6/186 X

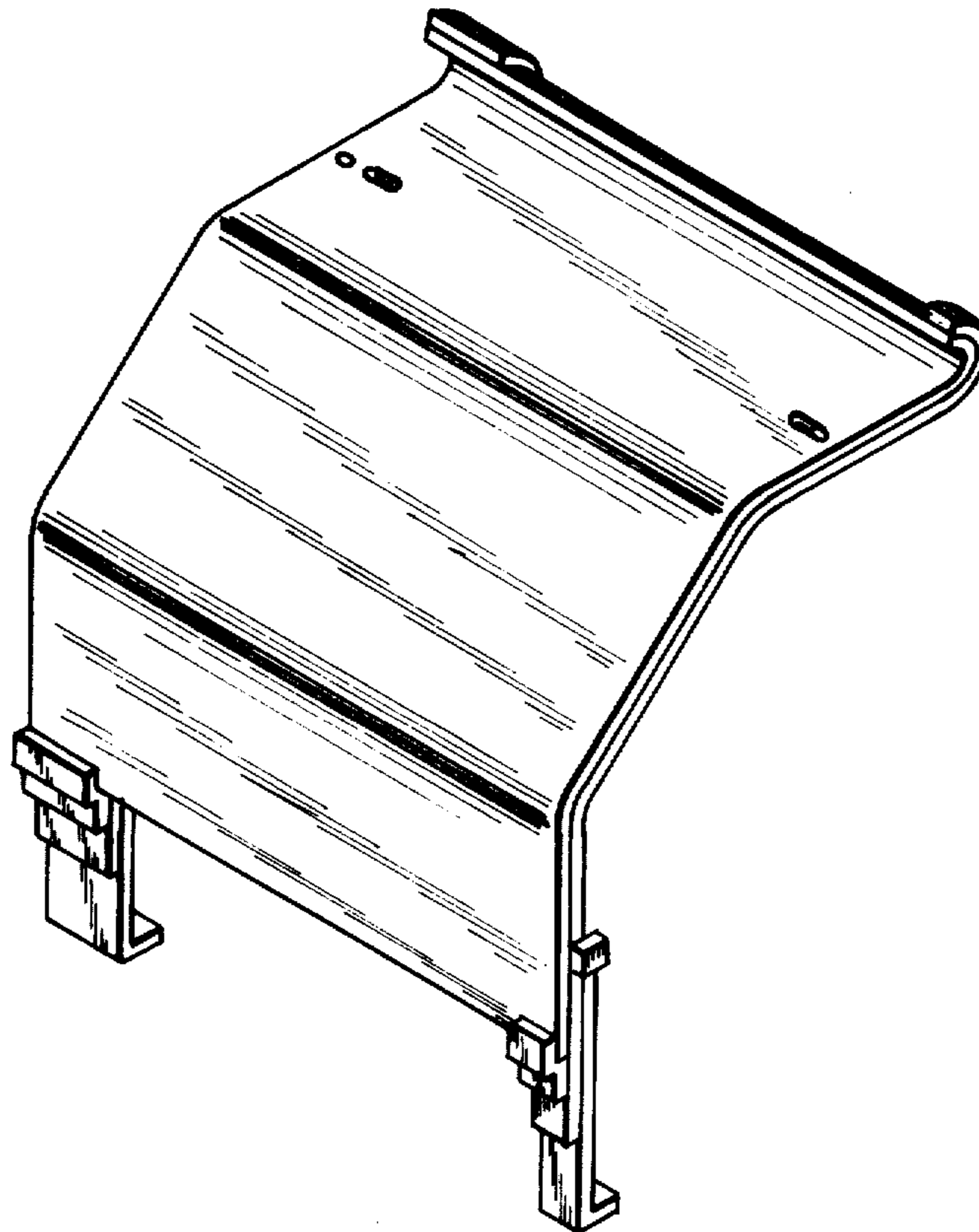
Primary Examiner—Bruce W. Dunkins
Attorney, Agent, or Firm—Curtis, Morris & Safford

[57] CLAIM

The ornamental design for merchandise display stand, shown and described.

DESCRIPTION

FIG. 1 is a front elevational view of a merchandise display stand showing my new design;
 FIG. 2 is a left side elevational view of the merchandise display stand shown in FIG. 1, the right side being substantially a mirror image thereof;
 FIG. 3 is a top plan view of the merchandise display stand;
 FIG. 4 is a back elevational view of the merchandise display stand;
 FIG. 5 is a bottom plan view; and
 FIG. 6 is a rear perspective view of the merchandise display stand.



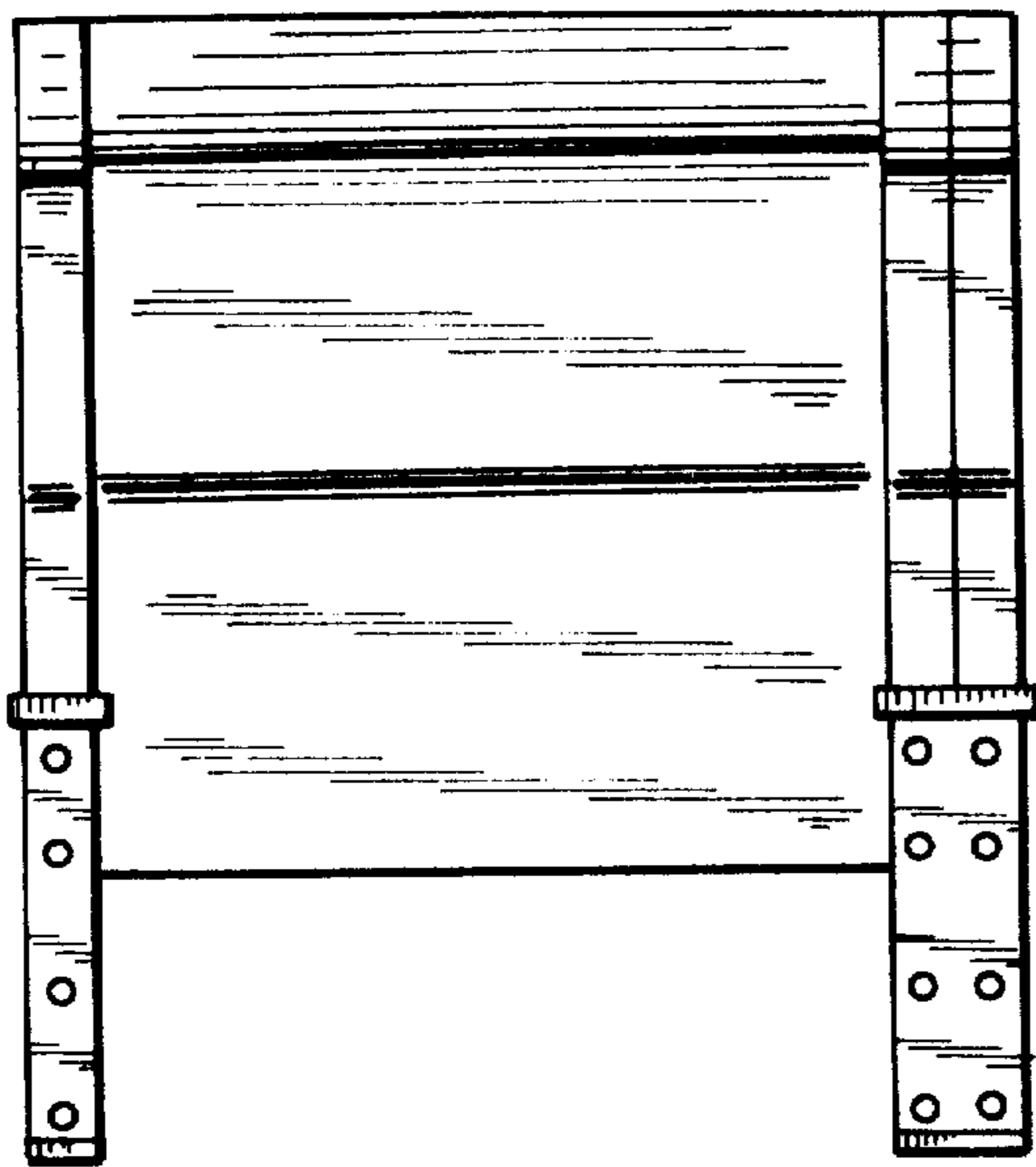


FIG. 1

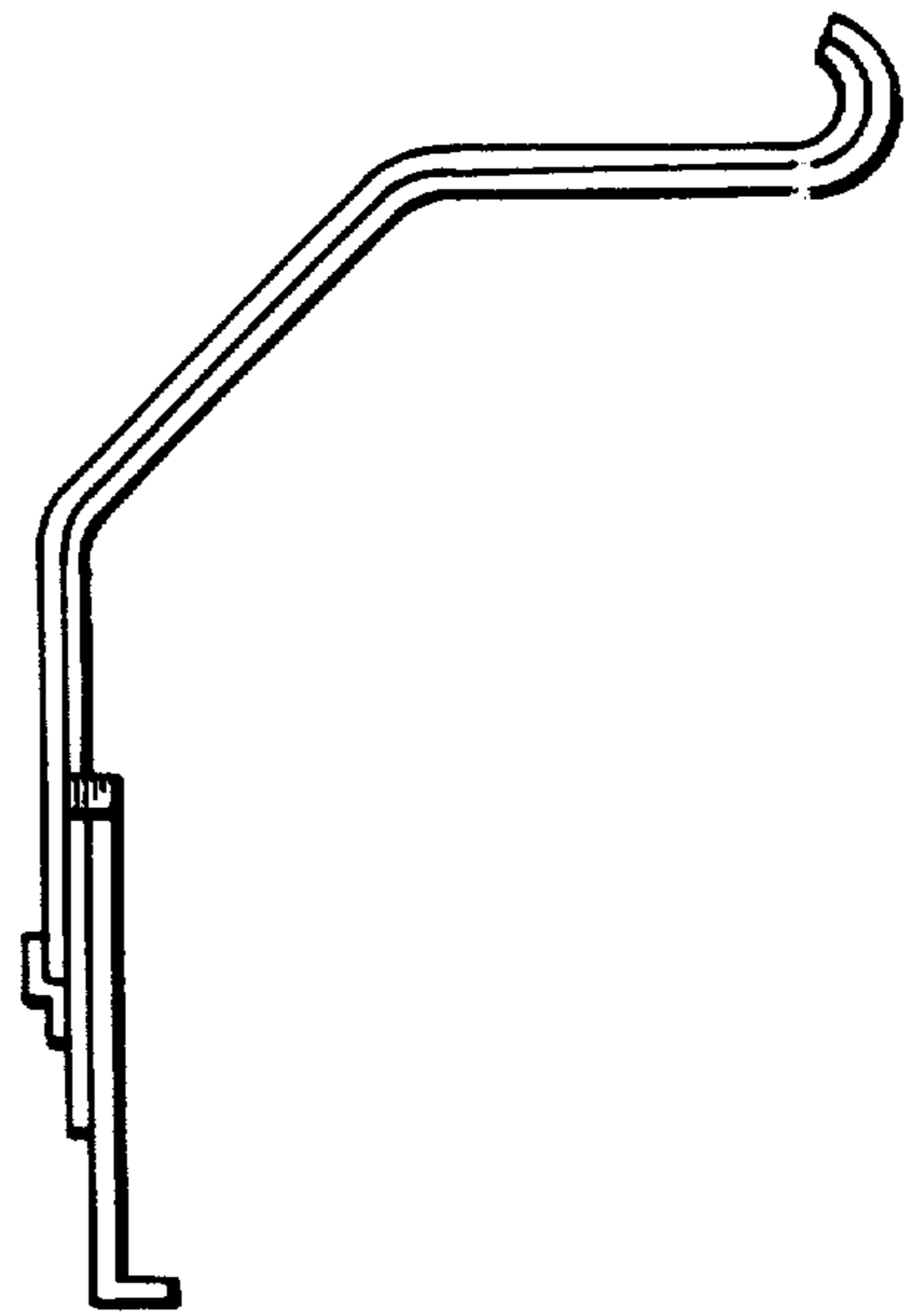


FIG. 2

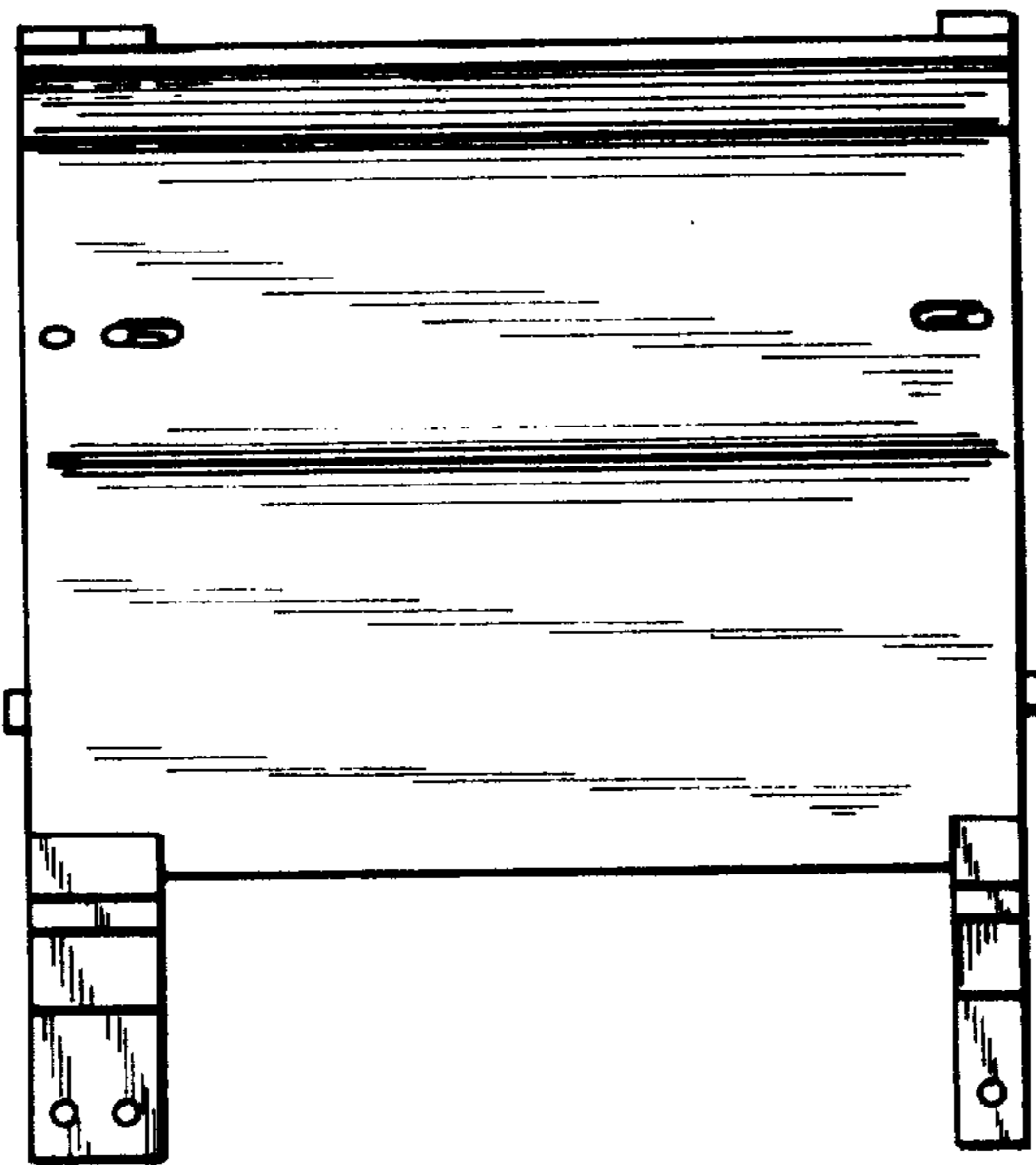


FIG. 4

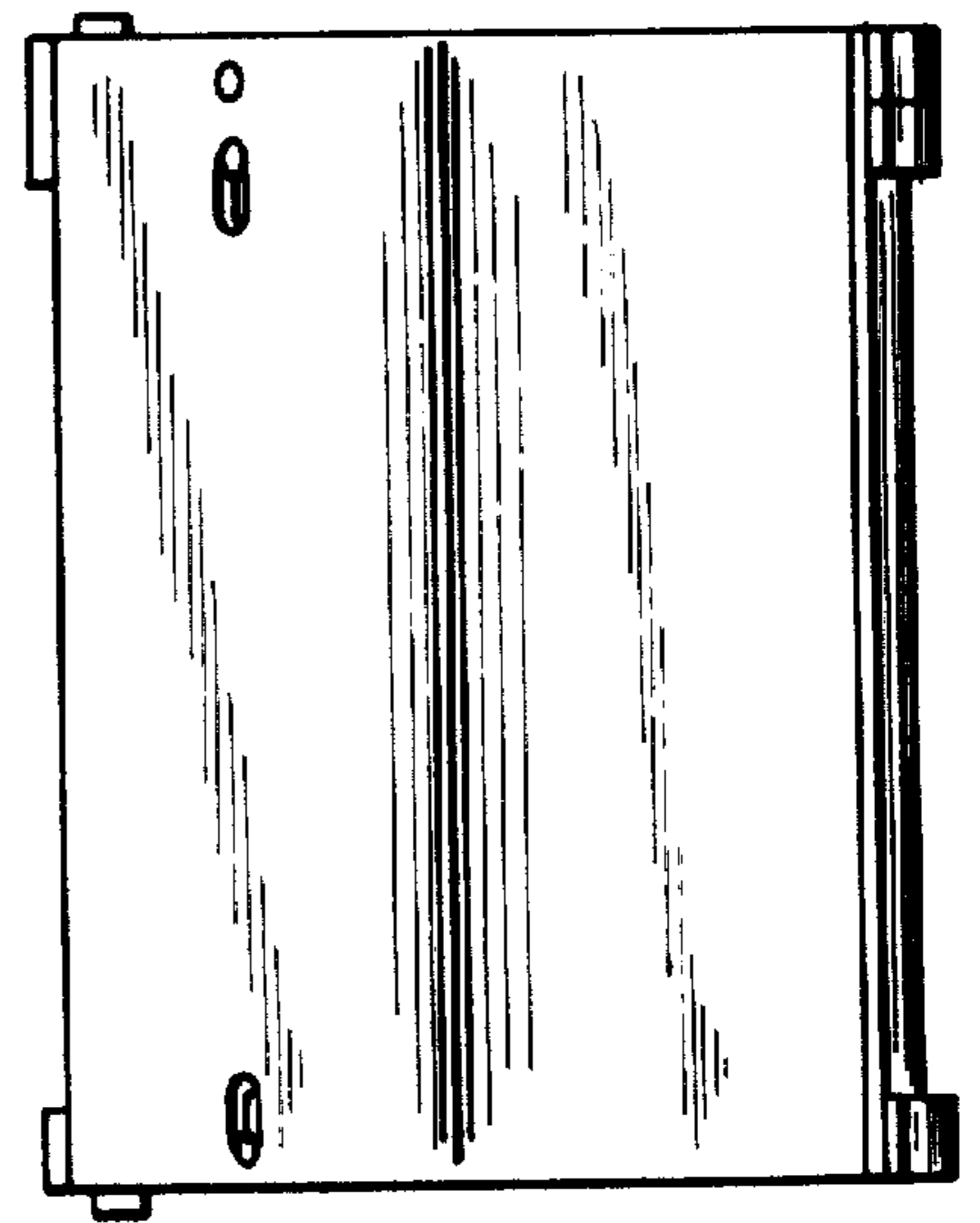


FIG. 3

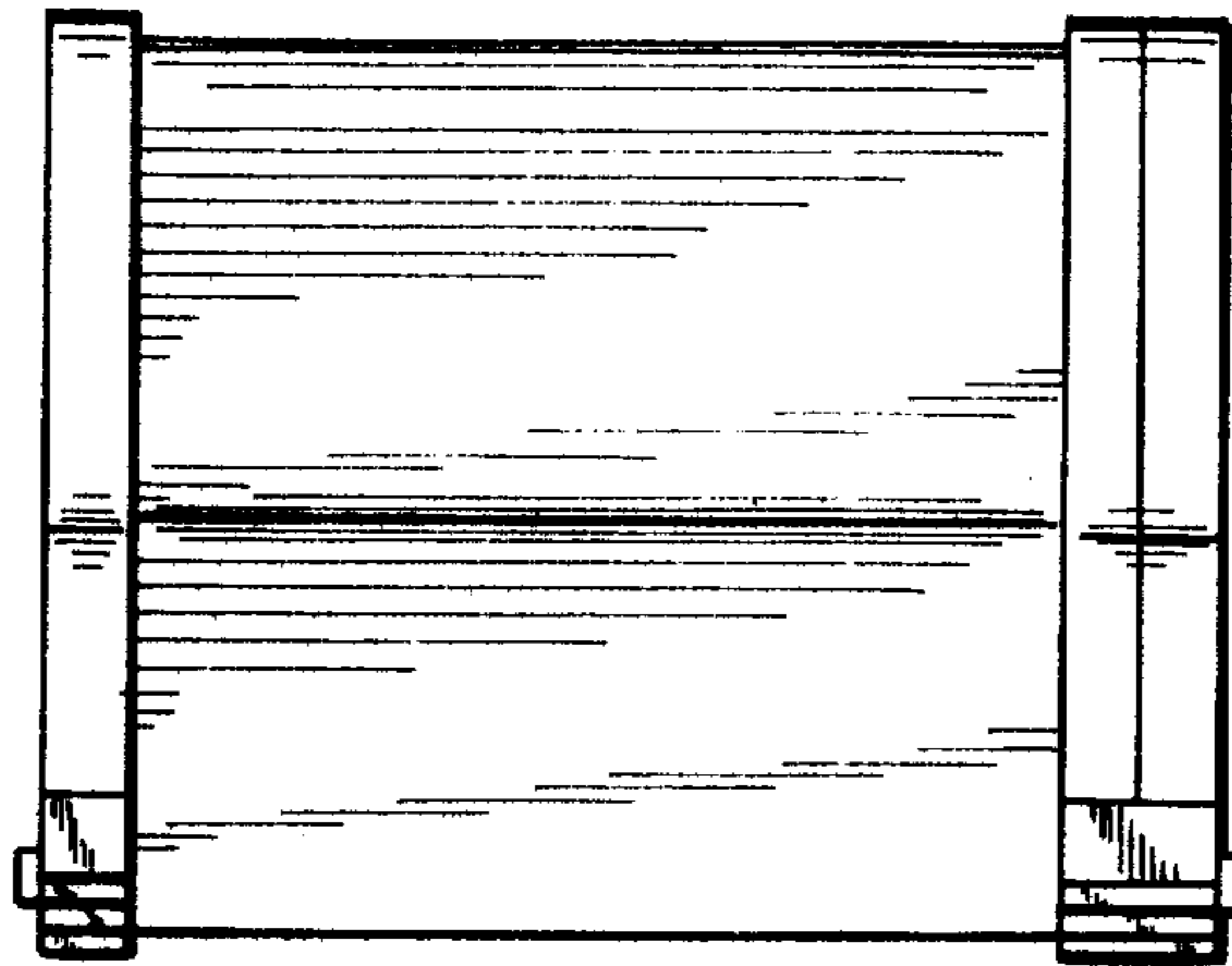


FIG. 5

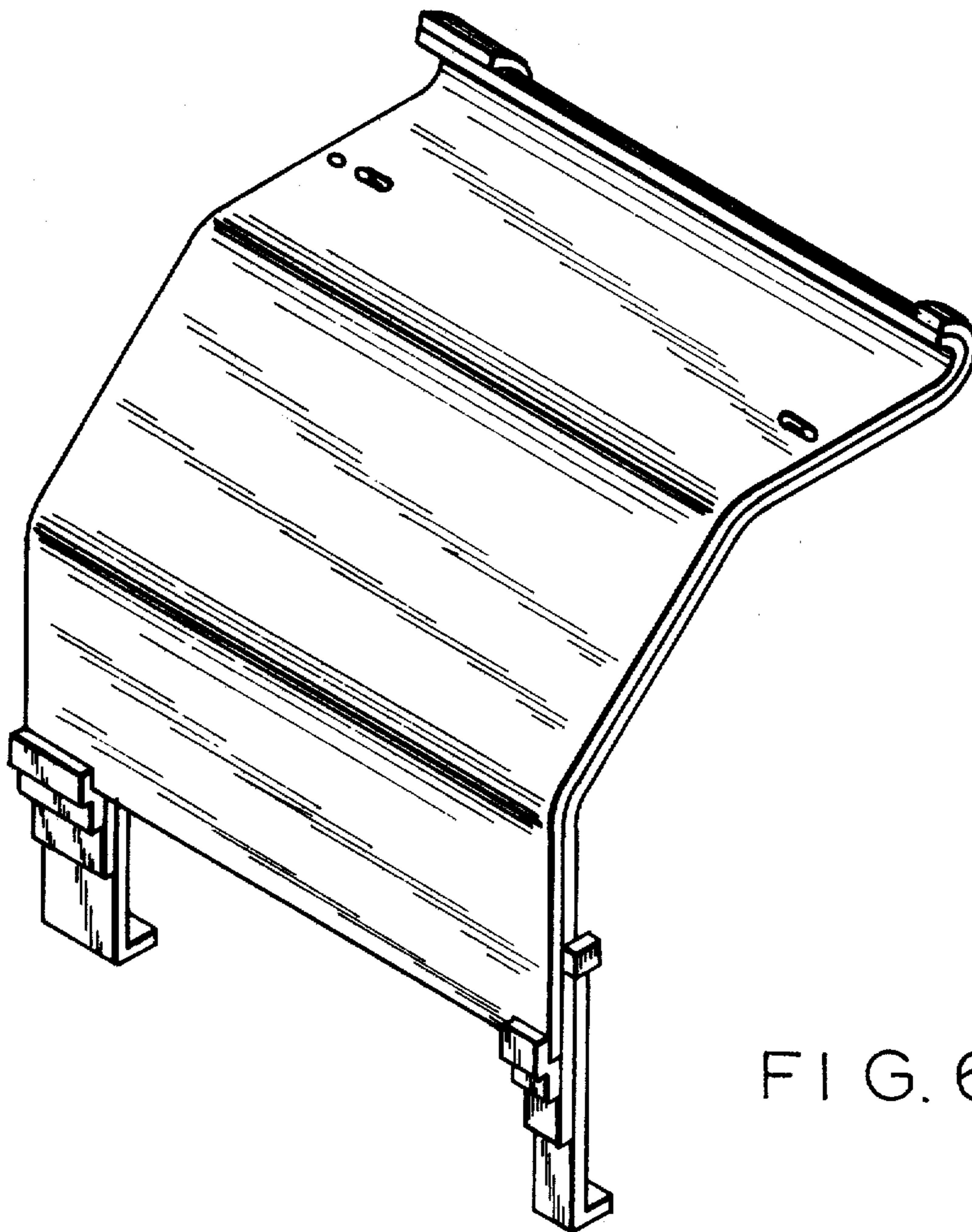


FIG. 6