

[54] RACK FOR SUPPORTING CHECK TRANSFER TRAYS

[75] Inventors: Elmer E. Ogg, Jr., Dayton; William E. Wells, West Alexandria, both of Ohio

[73] Assignee: Systems Unlimited Inc., Dayton, Ohio

[\*\*] Term: 14 Years

[21] Appl. No.: 294,754

[22] Filed: Aug. 20, 1981

[52] U.S. Cl. .... D6/188

[58] Field of Search ..... D6/181, 186, 188, 189, D6/85; 211/10, 490, 128; D34/21, 22

[56] References Cited

U.S. PATENT DOCUMENTS

D. 119,956	4/1940	Gomez	.....	D6/189
D. 176,629	1/1956	Palm, Jr.	.....	D6/186
D. 181,322	10/1957	Streich	.....	D6/188
D. 212,598	11/1968	Stakee	.....	D34/22
1,823,396	9/1931	Goulet	.....	211/128
2,108,122	2/1938	Hall	.....	211/128
4,118,084	10/1978	Sussman	.....	D6/188 X

Primary Examiner—Charles A. Rademaker  
Assistant Examiner—Carmen H. Vales  
Attorney, Agent, or Firm—Jacox & Meckstroth

[57] CLAIM

The ornamental design for a rack for supporting check transfer trays, substantially as shown and described.

DESCRIPTION

FIG. 1 is a front perspective view of a rack for supporting check transfer trays showing our new design.  
FIG. 2 is a rear perspective view thereof;  
FIG. 3 is a front perspective view of a modified form of the rack for supporting check transfer shown in FIG. 1.

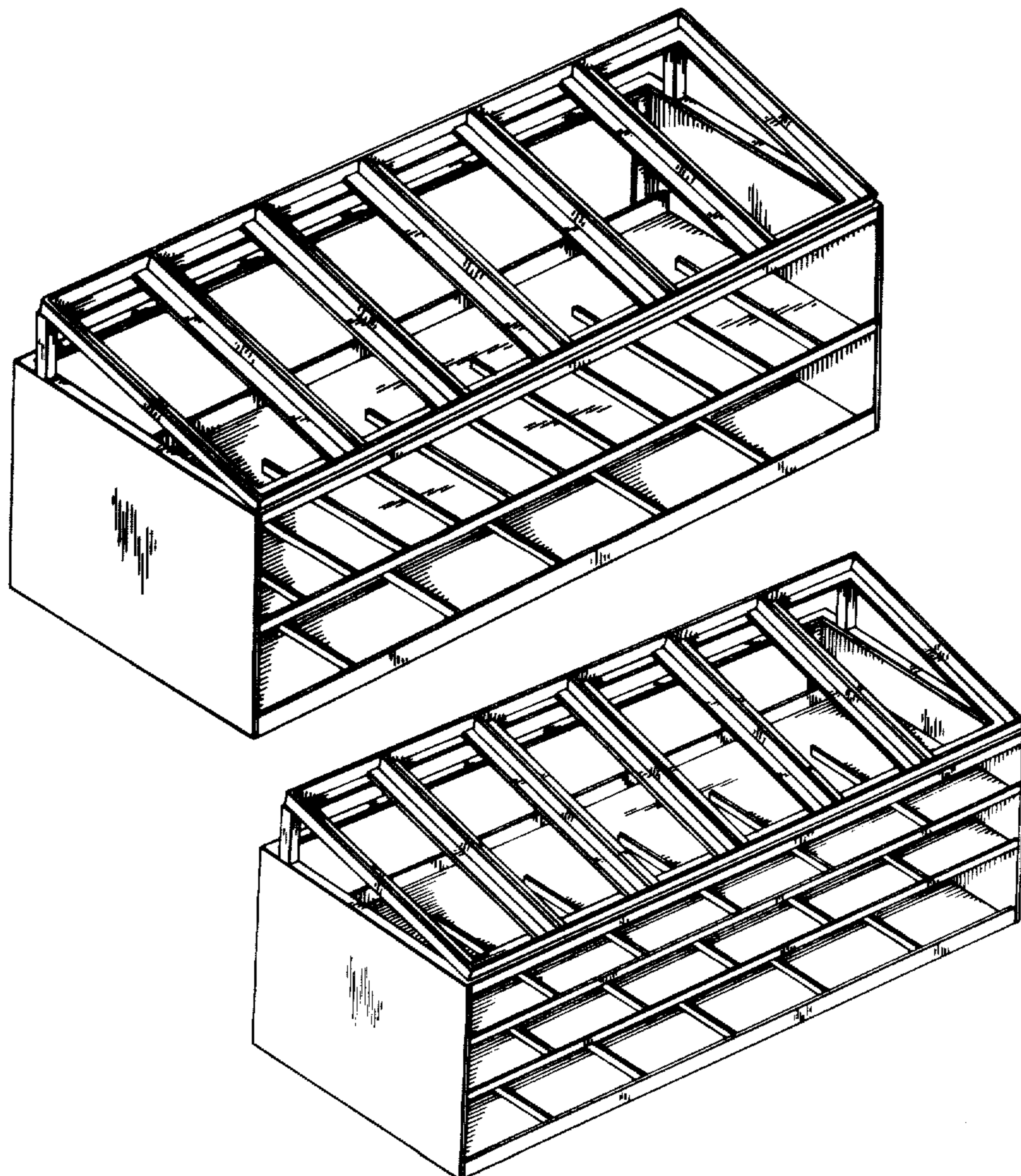


FIG-1

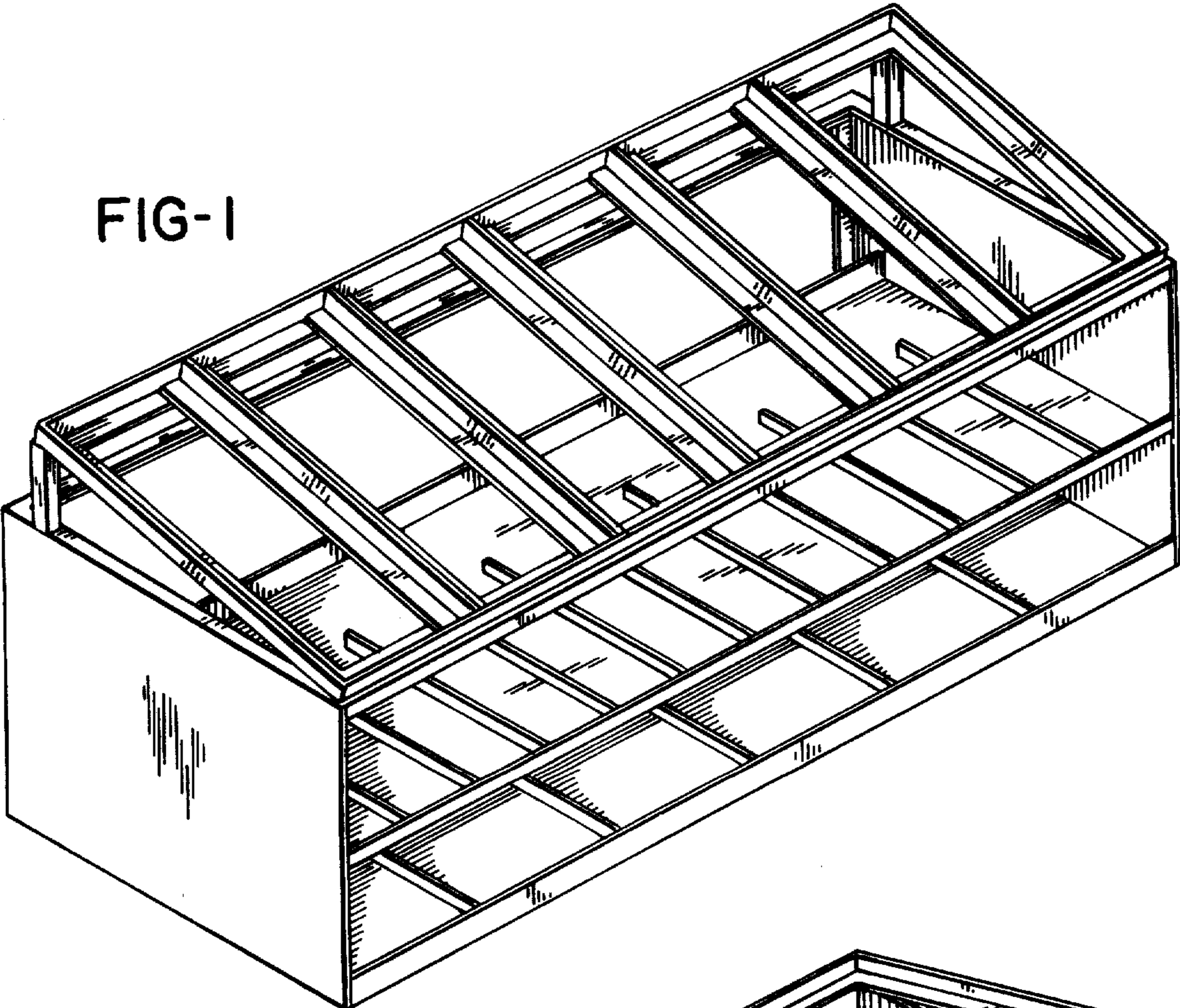


FIG-2

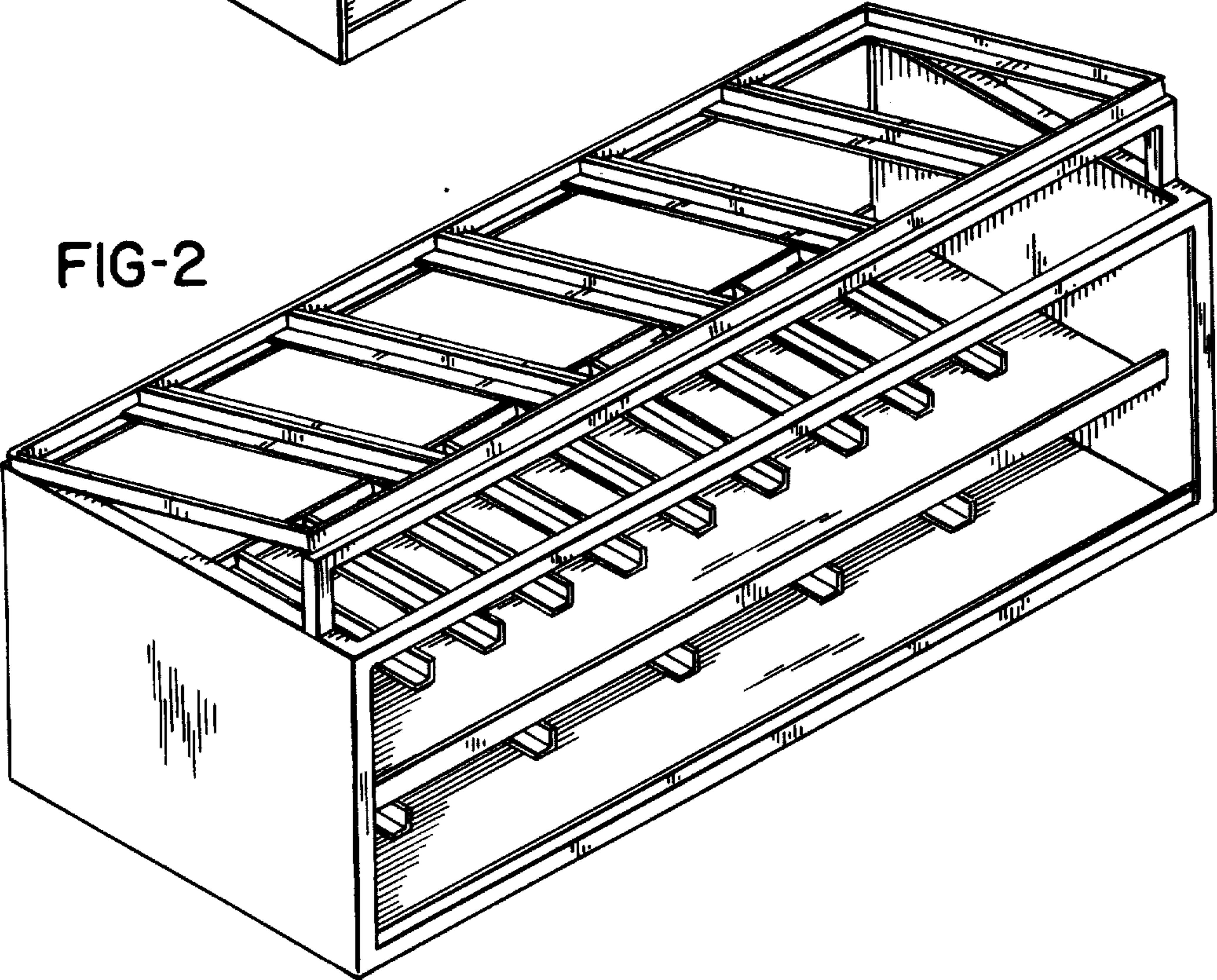


FIG-3

