

[54] COLLAPSIBLE TABLE FOR USE
PRIMARILY ON A BOAT

[76] Inventors: **Jack T. Bowman; Angelina Bowman,**
both of 612 Kean Ave., Antioch,
Calif. 94509

[**] Term: **14 Years**

[21] Appl. No.: **334,086**

[22] Filed: **Dec. 24, 1981**

[52] U.S. Cl. **D6/128; D6/157;**
D6/178; D6/188

[58] Field of Search **D6/175-179,**
D6/125-130; D7/38, 37, 39, 70, 71; 108/115,
12, 18, 128, 152

[56] **References Cited**

U.S. PATENT DOCUMENTS

D. 105,952	9/1937	Greene	D6/128
D. 174,785	5/1955	Tompkins	D6/128
D. 199,569	11/1964	Bodenbach	D6/128
D. 241,287	9/1976	Earle et al.	D6/5
3,606,846	9/1971	Andrews et al.	108/152 X

OTHER PUBLICATIONS

Schoner Wohmer, Oct. 10, 1979, p. 109, Foldable Table.

Primary Examiner—Bruce W. Dunkins
Attorney, Agent, or Firm—Ernest M. Anderson

[57] **CLAIM**

The ornamental design for a collapsible table for use primarily on a boat, as shown and described.

DESCRIPTION

FIG. 1 is a perspective view of a collapsible table for use primarily on a boat showing our design in position for use;

FIG. 2 is a top plan view of the boat table;

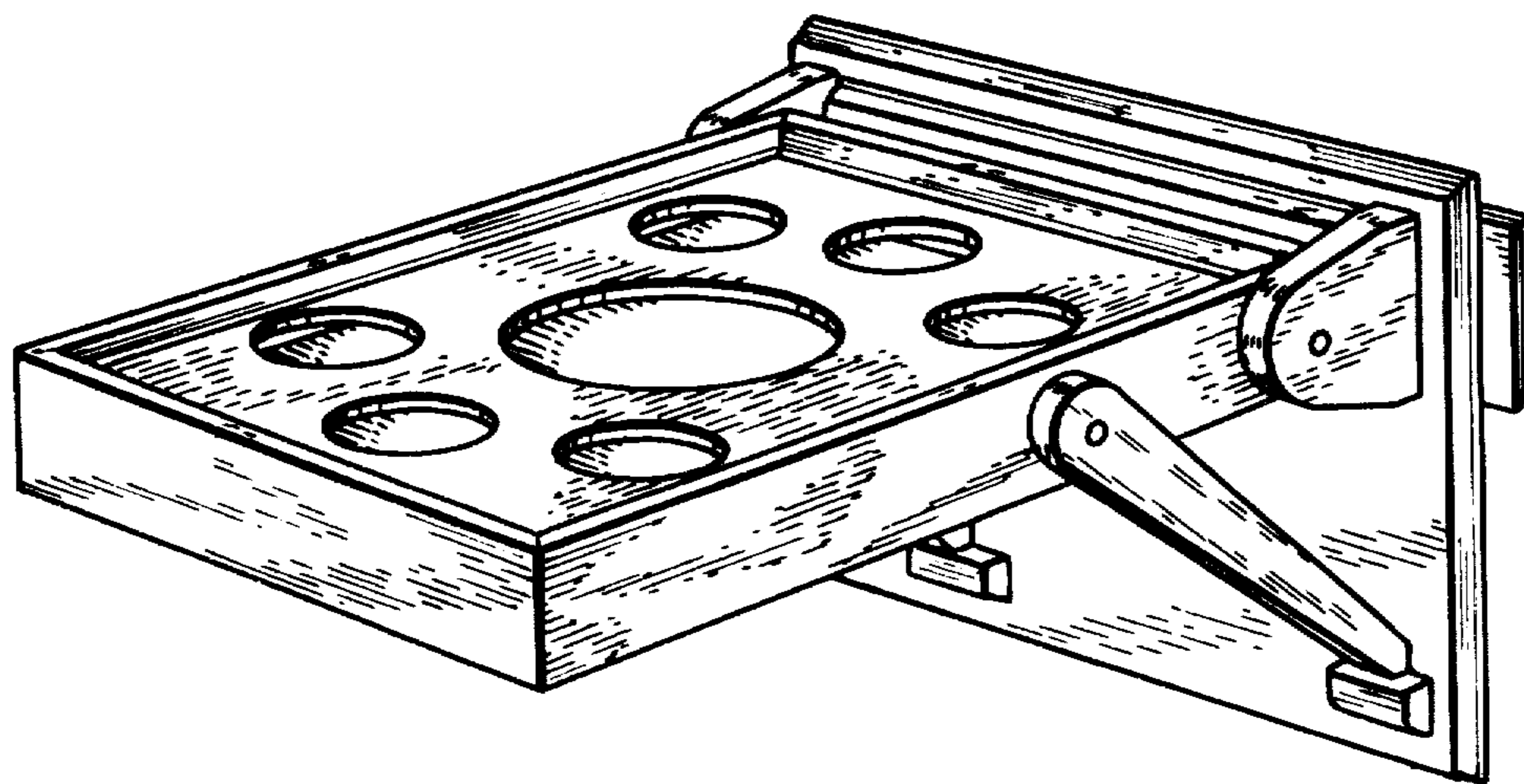
FIG. 3 is a front elevation of the boat table;

FIG. 4 is a side elevation of the boat table;

FIG. 5 is a perspective view of the boat table with the table top inverted relative to its mounting stand; and

FIG. 6 is a perspective view of the table as illustrated in FIG. 5 but shown in its collapsed position for storage.

The dotted lines shown in FIG. 1 are for illustrative purposes only.



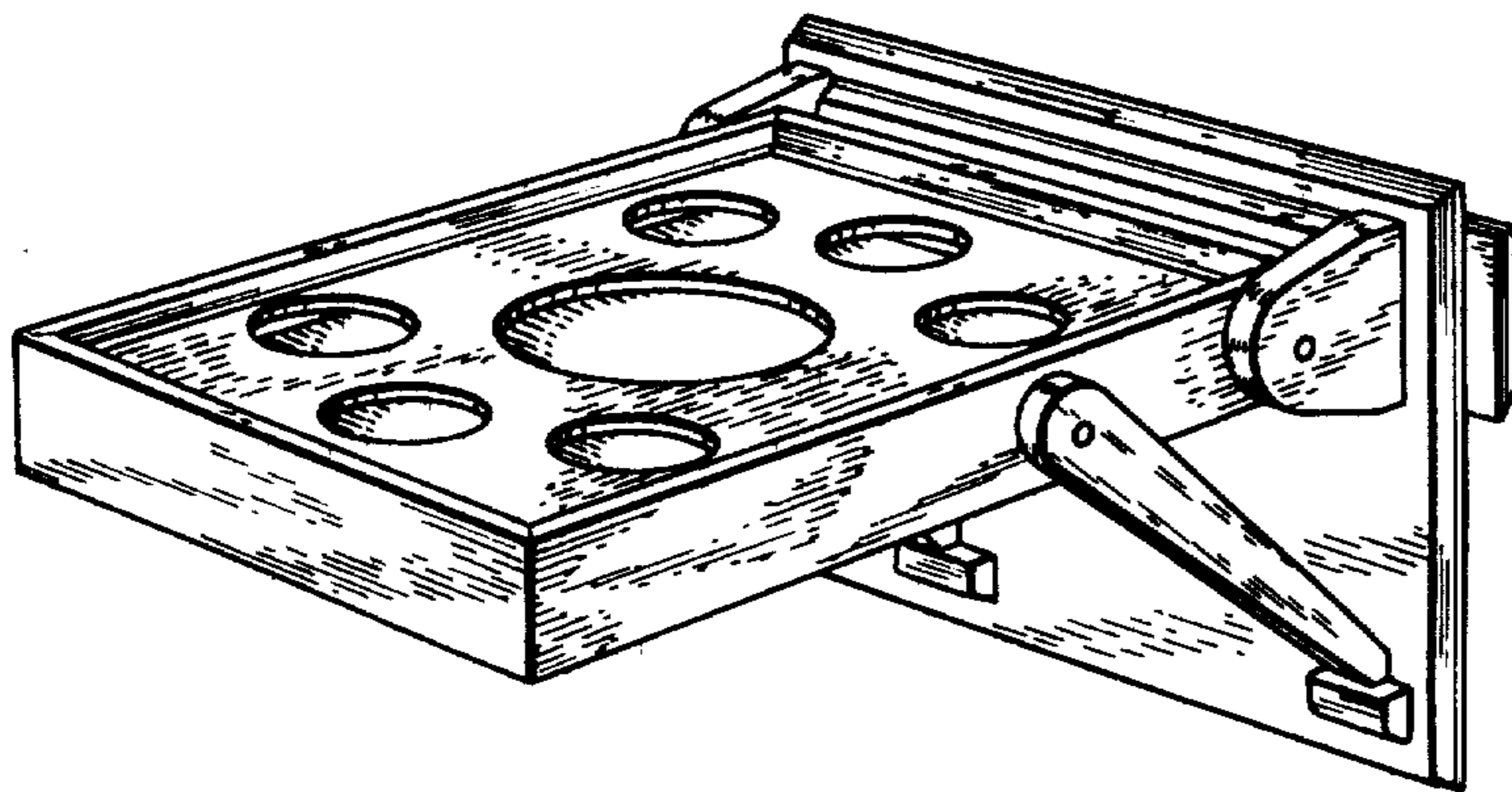


FIG. 1.

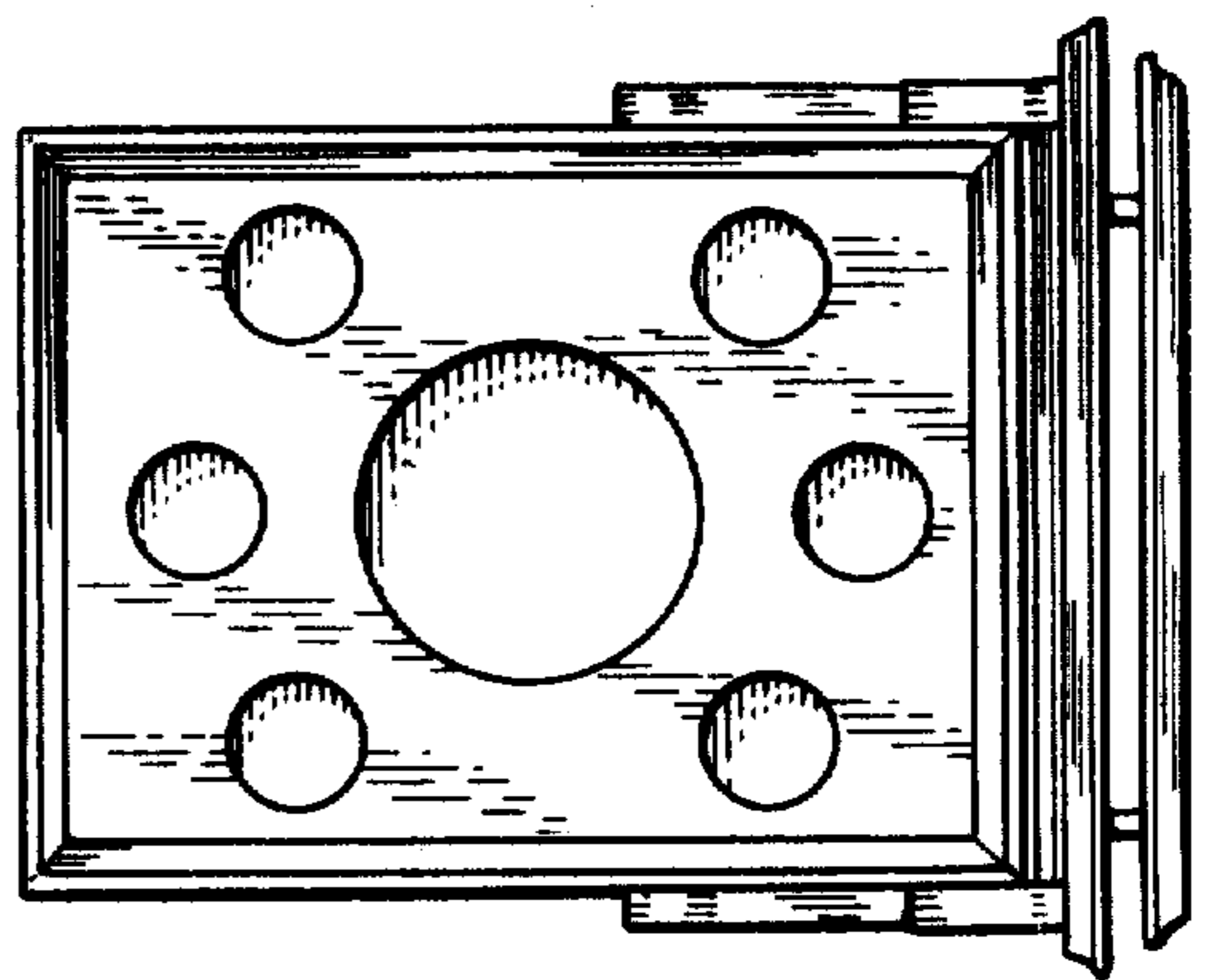


FIG. 2.

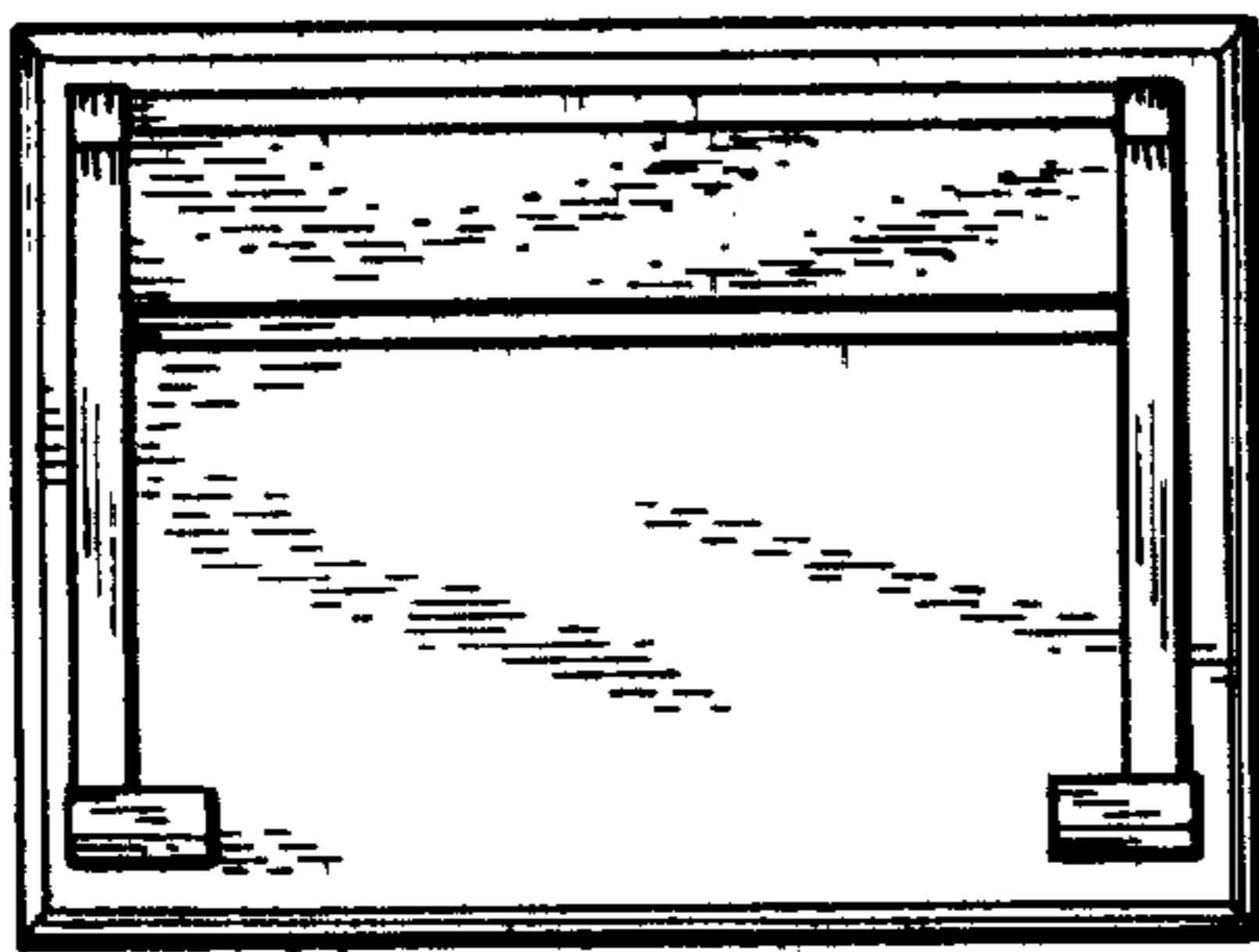


FIG. 3.

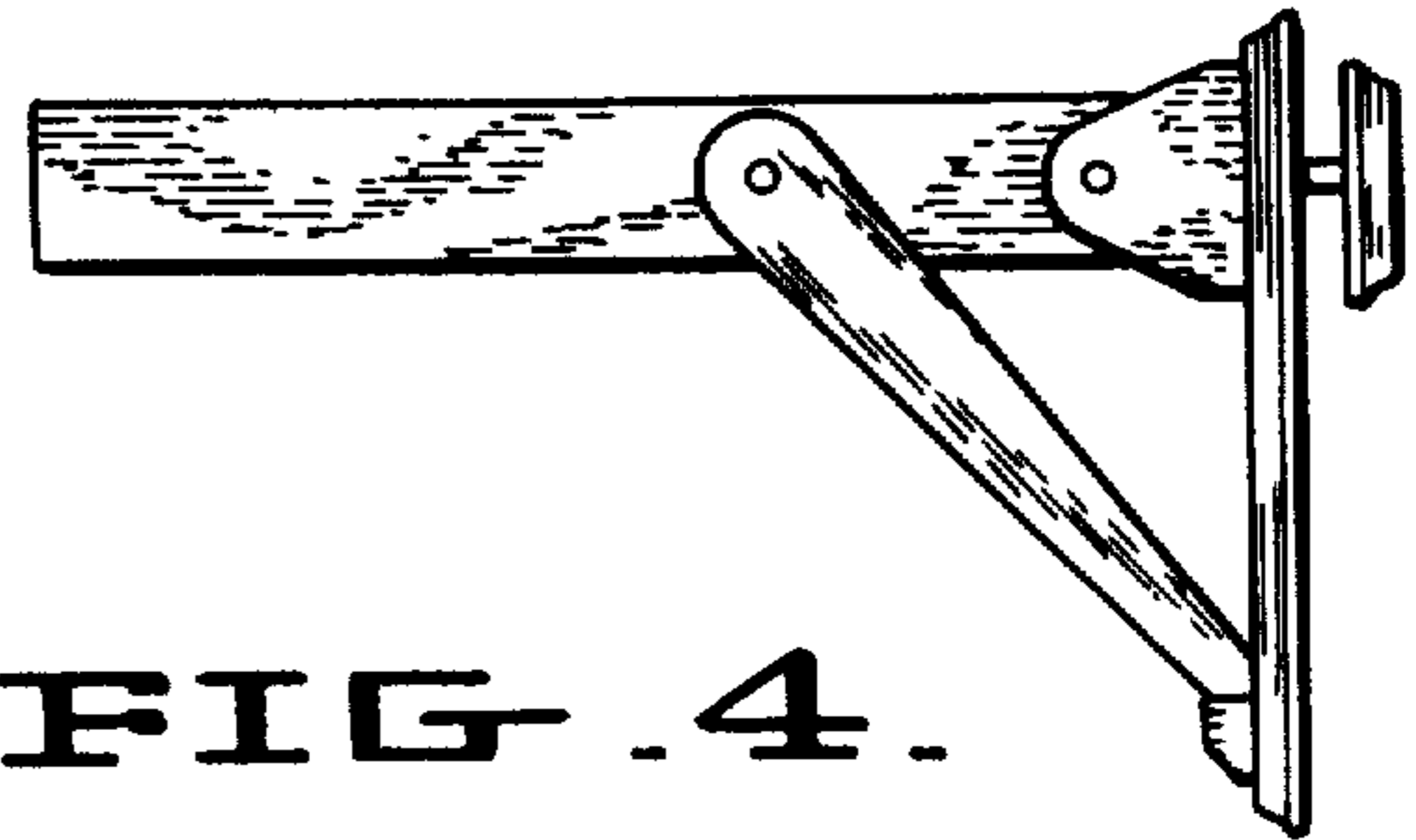


FIG. 4.

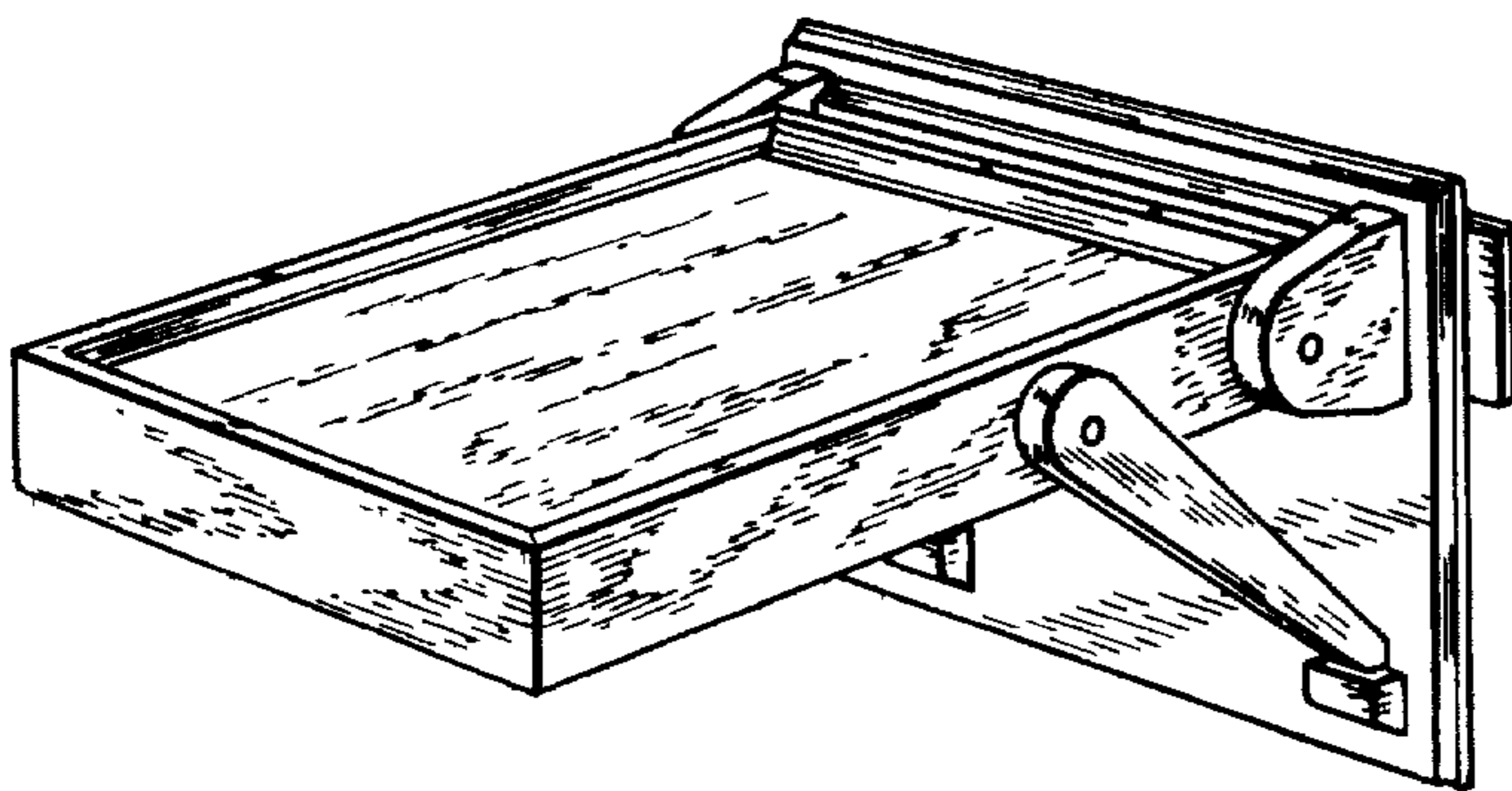


FIG. 5.

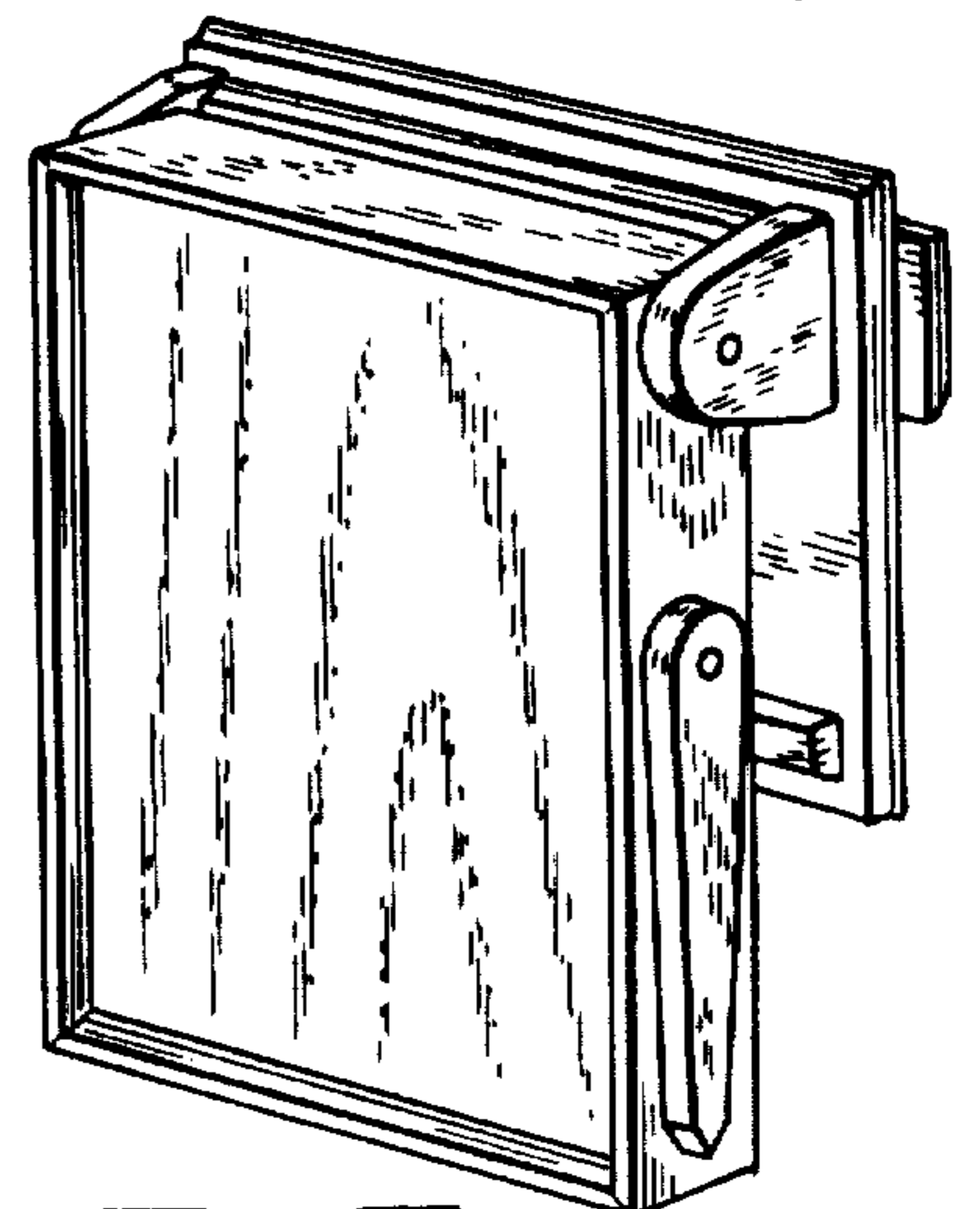


FIG. 6.