

[54] VIDEO RECORDER BAG

[76] Inventor: Robert Weinreb, 510 Broadway, New York, N.Y. 10012

[**] Term: 14 Years

[21] Appl. No.: 366,183

[22] Filed: Apr. 7, 1982

[52] U.S. Cl. D3/33; D3/71

[58] Field of Search D3/30.1, 33-36, D3/42, 48, 71, 76-79; 150/52 R, 52 J

[56] References Cited

U.S. PATENT DOCUMENTS

D. 194,139	11/1962	Parsell	D3/33
D. 217,414	4/1970	Lang	D3/33
D. 247,460	3/1978	Sykes	D3/33
D. 257,906	1/1981	Weinreb	D3/33
D. 268,545	4/1982	Weinreb	D3/71
2,665,801	1/1954	Berkman	150/52 J
2,691,401	10/1954	Kontoff et al.	150/52 J
2,707,506	5/1955	Kontoff et al.	150/52 J
2,827,096	3/1958	Hinson	150/52 J
2,893,523	7/1959	Mitchell	190/41 Z
2,960,137	11/1960	Lipsitz	150/52 J
2,988,125	6/1961	Reynolds	150/52 J
3,001,566	9/1961	Lipsitz	D3/33
3,793,528	2/1974	Takeda	150/52 J
4,210,186	6/1976	Relenson	150/52 J
4,260,004	4/1981	Domke	150/52 J

OTHER PUBLICATIONS

Best Products Cat., 1979, p. 311 Item "M".

Primary Examiner—George P. Word
Attorney, Agent, or Firm—Jacobs & Jacobs

[57] CLAIM

The ornamental design for a video recorder bag, as shown and described.

DESCRIPTION

FIG. 1 is a perspective view of a video recorder bag, showing my new design, with a portion of the top turned back to reveal the zipper closure;

FIG. 2 is a right side elevational view;

FIG. 3 is a left side elevational view;

FIG. 4 is a top plan view;

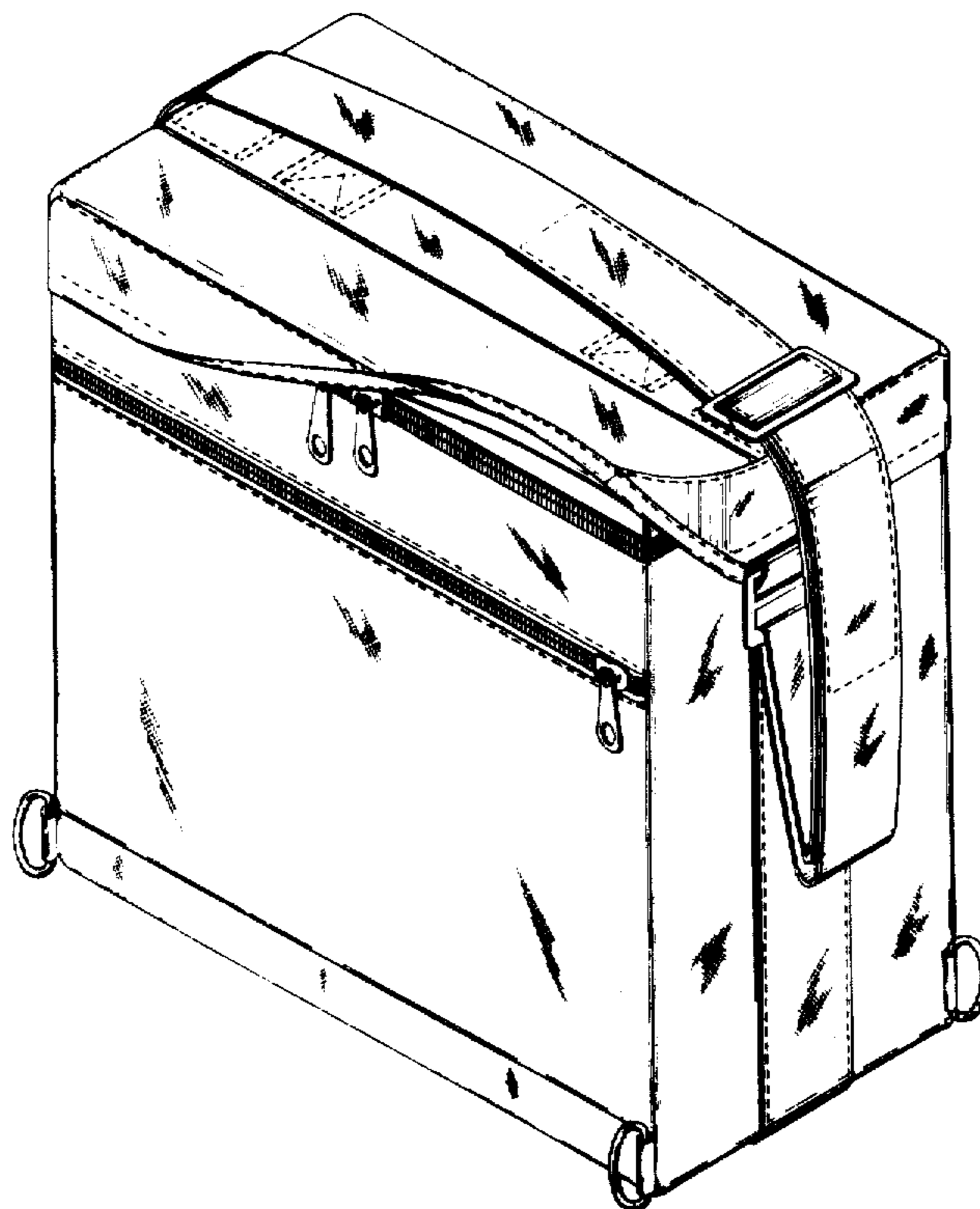
FIG. 5 is a bottom plan view;

FIG. 6 is a front elevational view;

FIG. 7 is a rear elevational view with a portion of the top cut away to reveal the zipper closure; and

FIG. 8 is a perspective view thereof, with the top opened and a portion of the front broken away and omitted for convenience of illustration to show the inside of the bag.

Partial showing of surface shading indicating a fabric texture is understood to be continuous on those surfaces where shown.



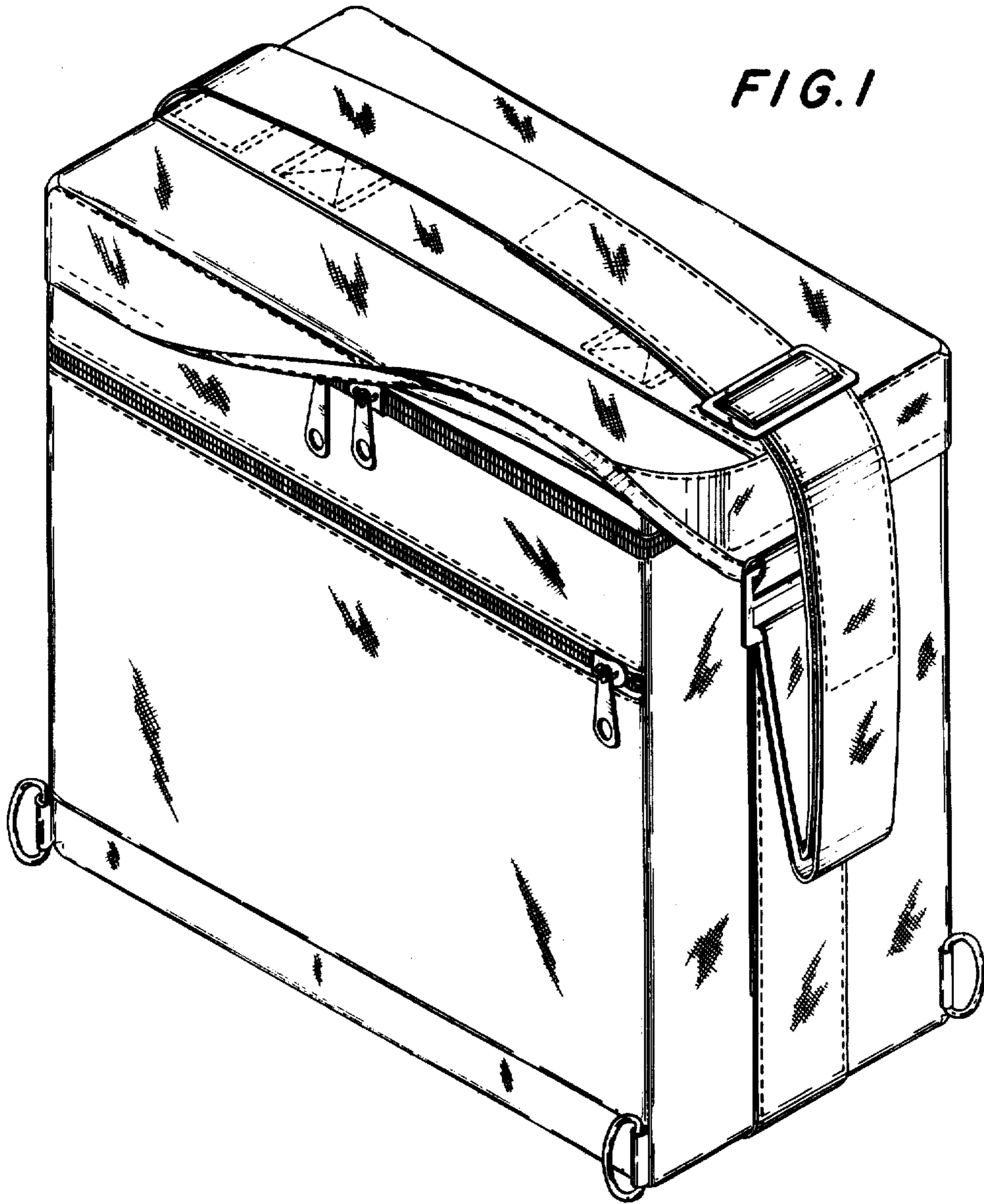


FIG. 4

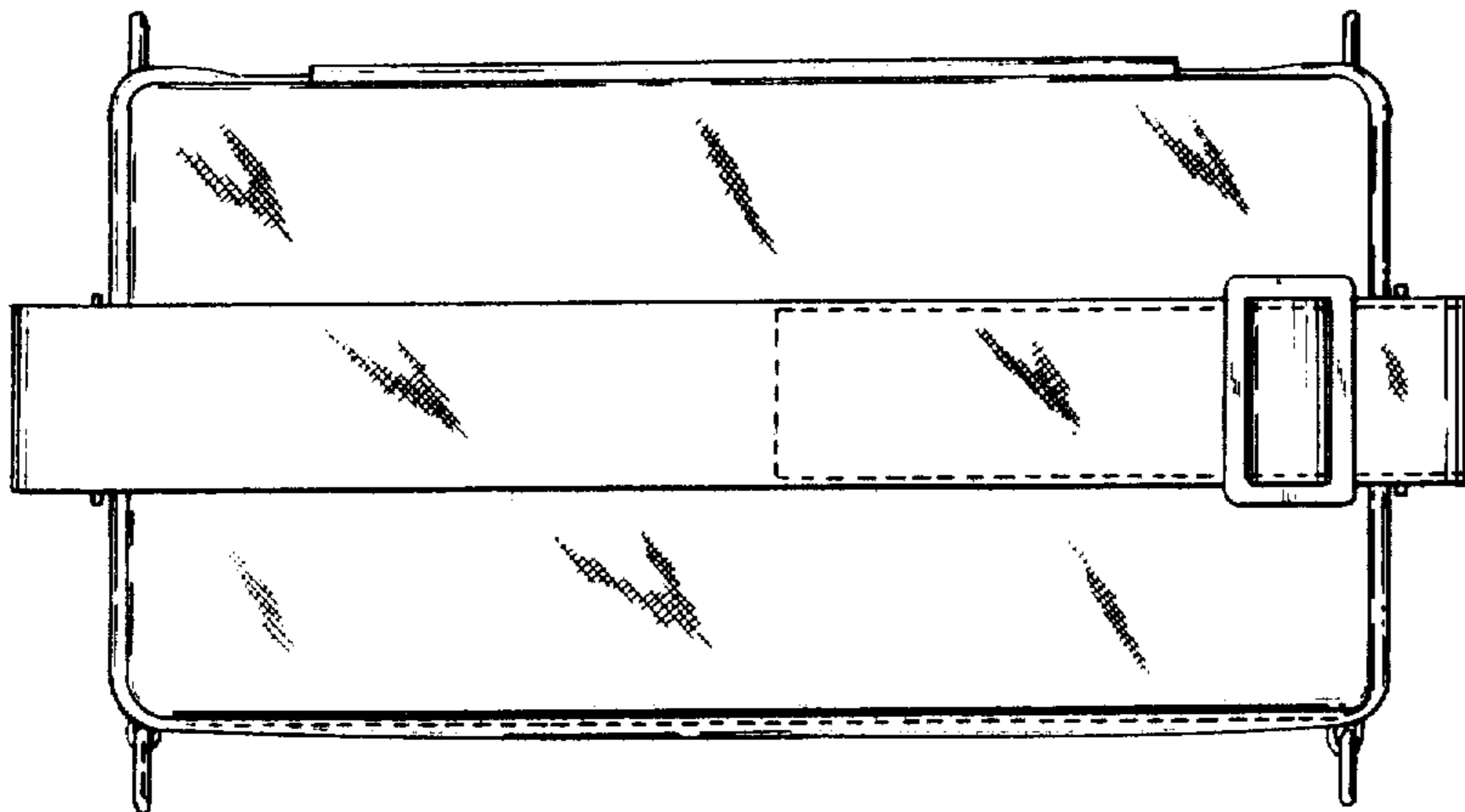


FIG. 5

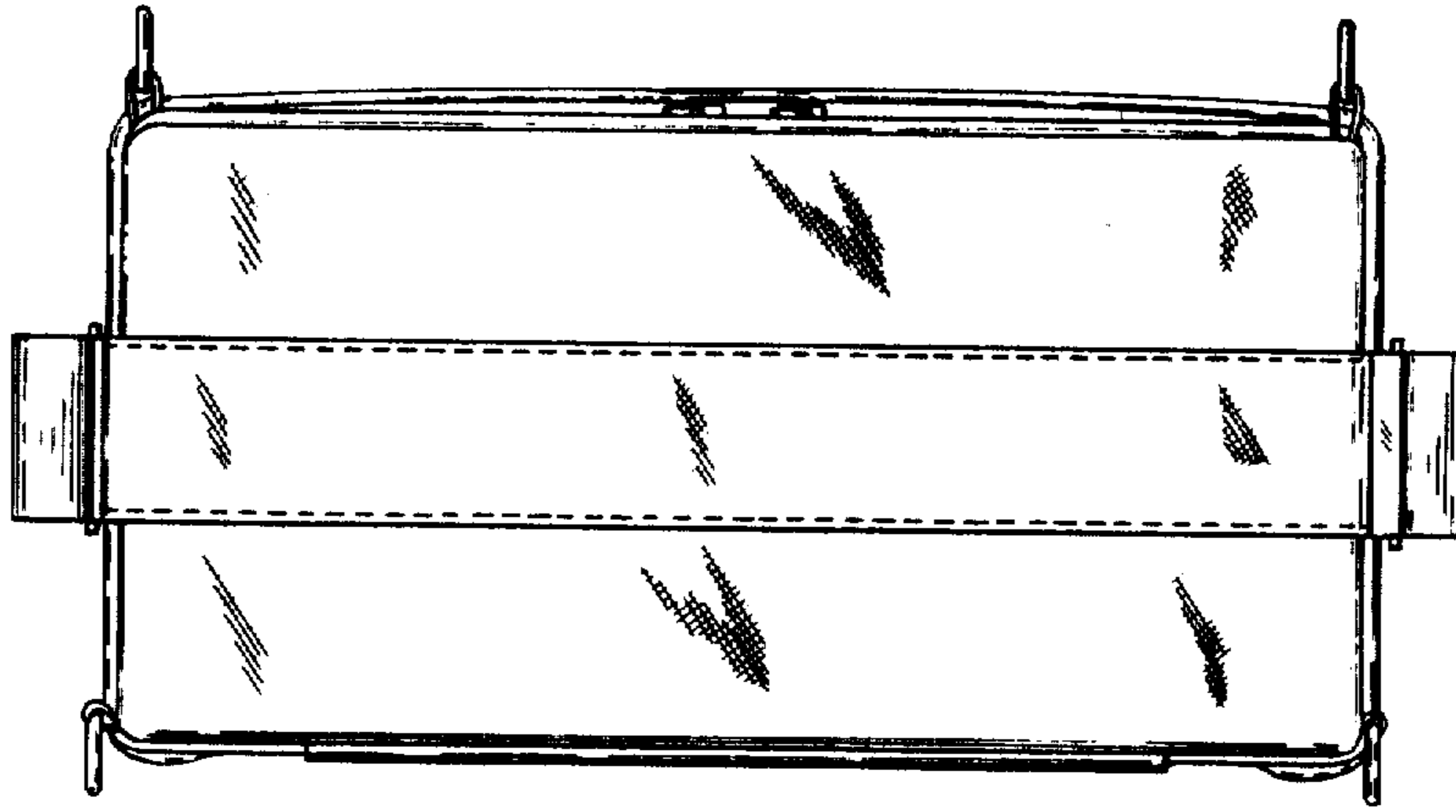


FIG. 2

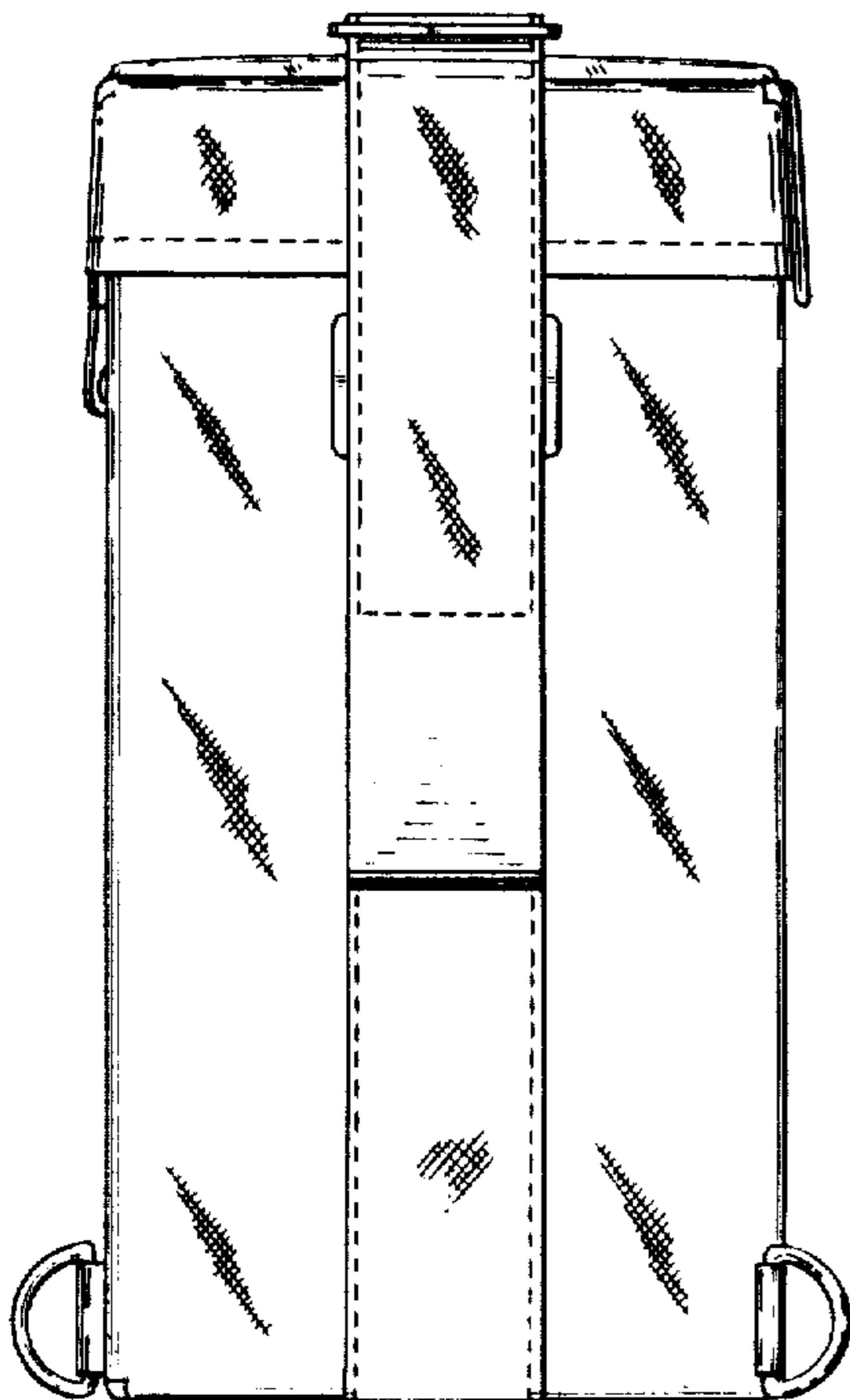


FIG. 3

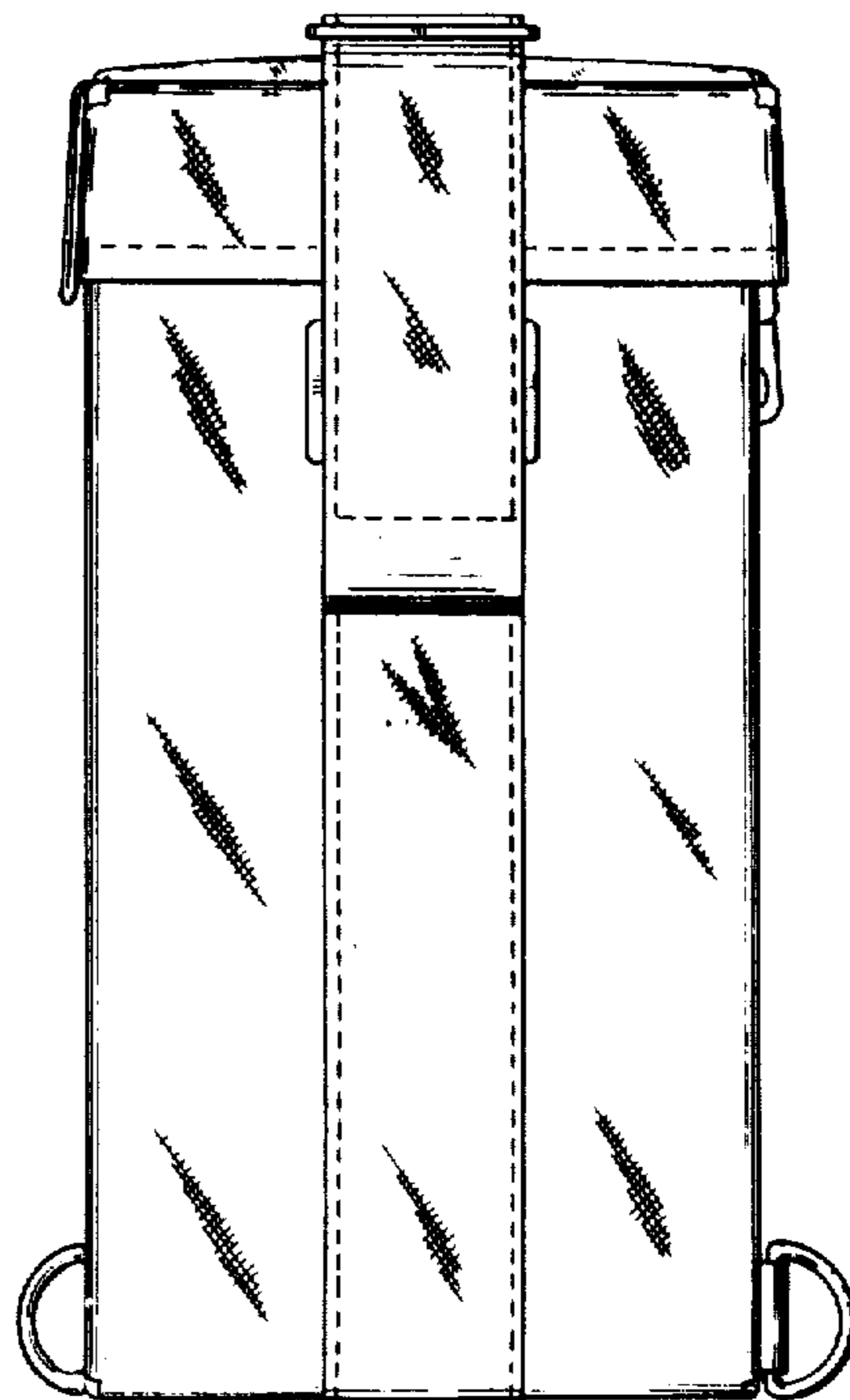


FIG. 6

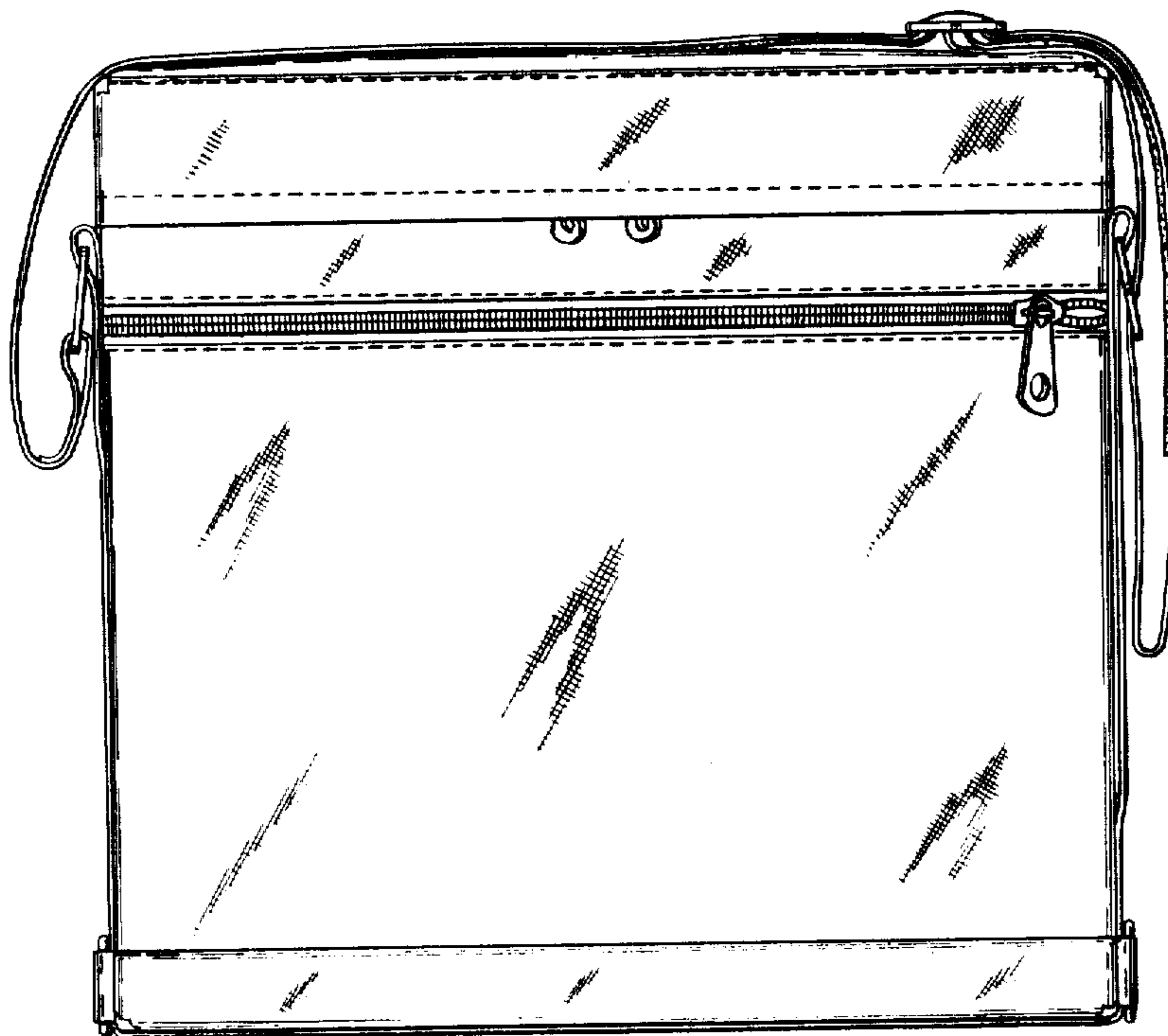


FIG. 7

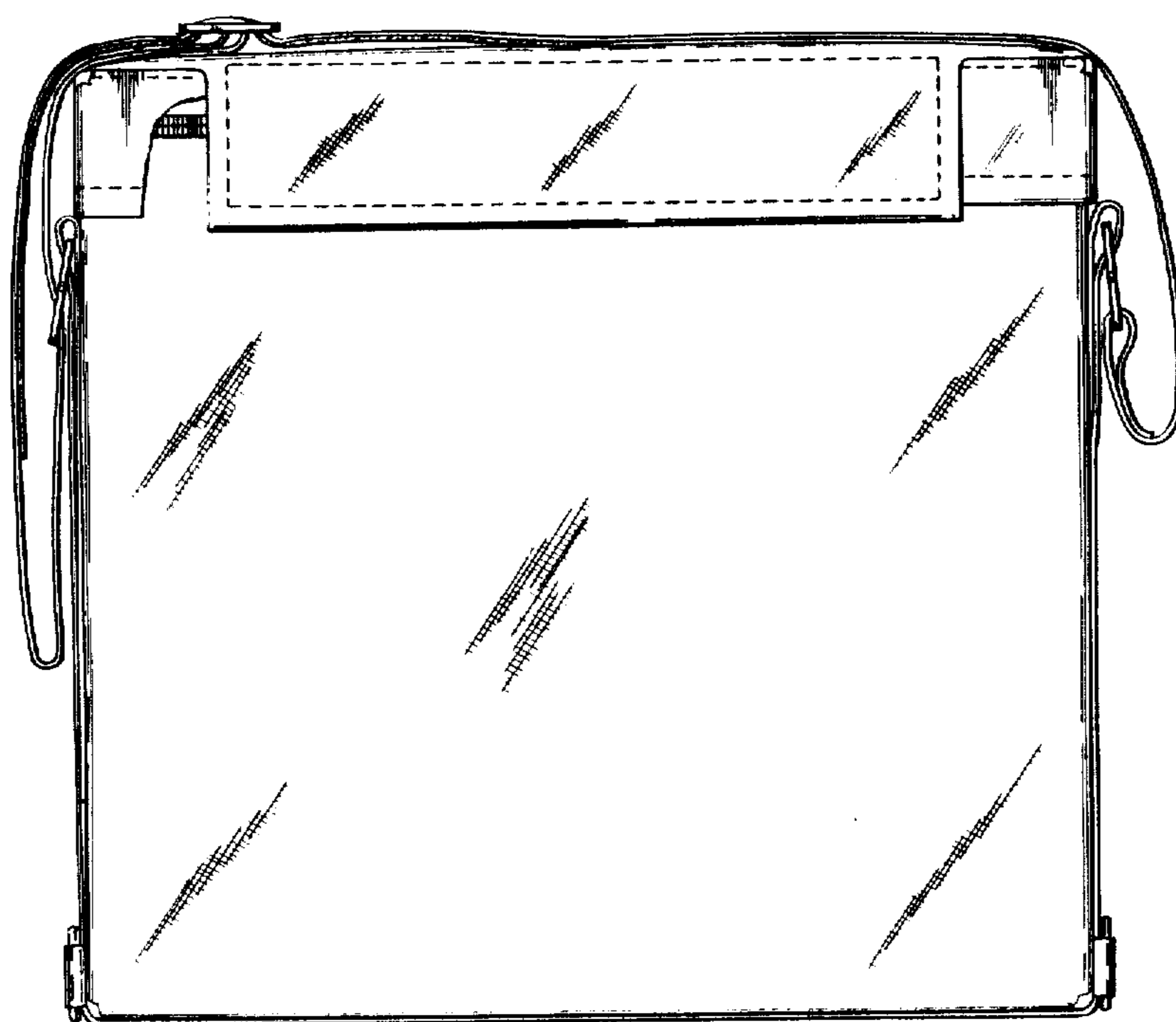


FIG. 8

