

[54] VIDEO CAMERA BAG

[76] Inventor: Robert Weinreb, 510 Broadway,
New York, N.Y. 10012

[**] Term: 14 Years

[21] Appl. No.: 366,182

[22] Filed: Apr. 7, 1982

[52] U.S. Cl. D3/33; D3/71

[58] Field of Search D3/30.1, 33, 35, 36,
D3/42, 48, 71, 76, 77, 78, 79; 150/52 R, 52 J

3,001,566 9/1961 Lipsitz D3/33
3,793,528 2/1974 Takeda 150/52 J
4,210,186 7/1980 Belenson 150/52 J
4,260,004 4/1981 Domke 150/52 J

OTHER PUBLICATIONS

Best Products Cat. 1979, p. 311 Item "M".

Primary Examiner—George P. Word
Attorney, Agent, or Firm—Jacobs & Jacobs

[57] CLAIM

The ornamental design for a video camera bag, as shown and described.

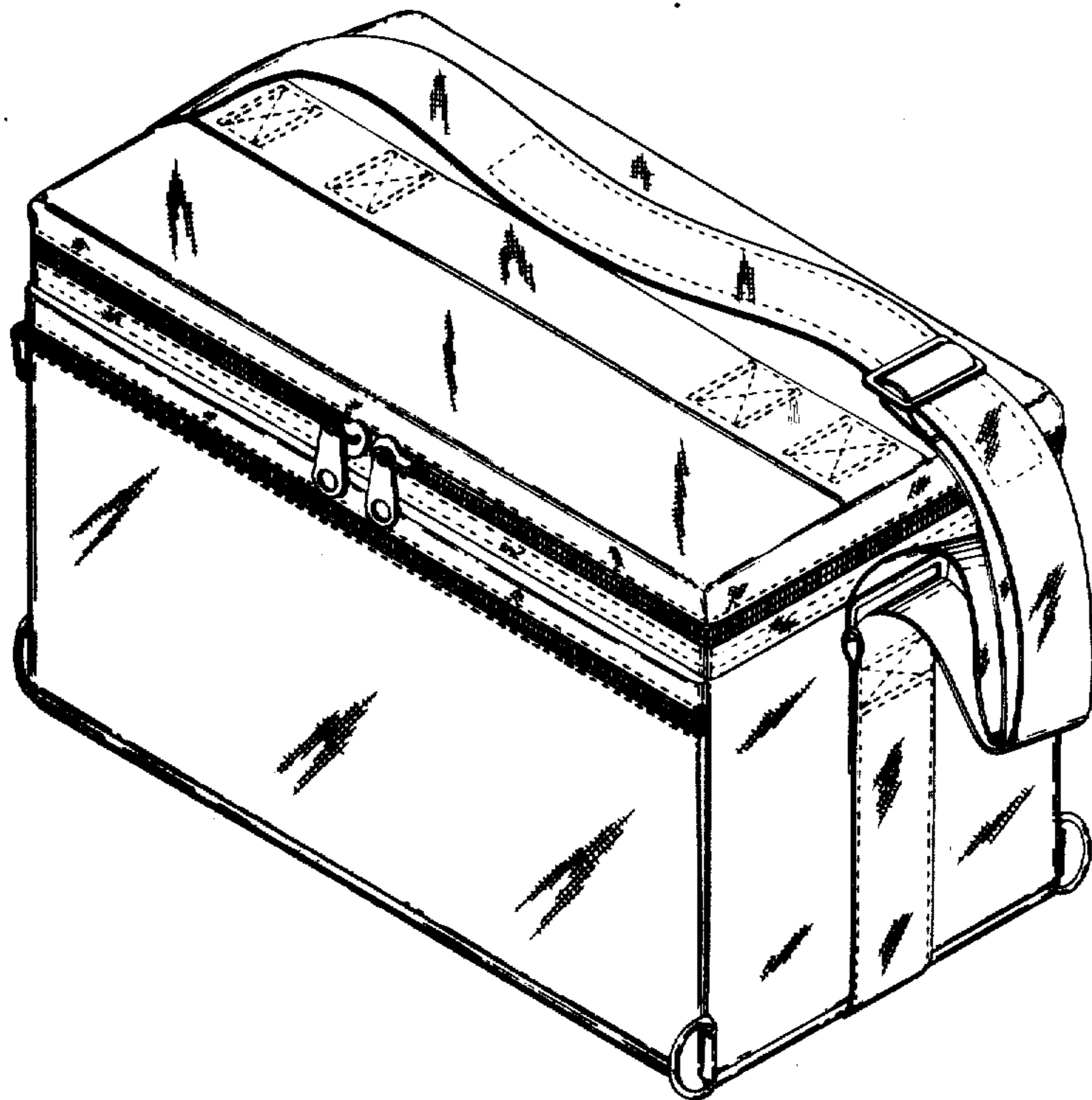
DESCRIPTION

FIG. 1 is a perspective view of a video camera bag, showing my new design;
FIG. 2 is a front elevational view;
FIG. 3 is a rear elevational view;
FIG. 4 is a left side elevational view;
FIG. 5 is a right side elevational view;
FIG. 6 is a top plan view;
FIG. 7 is a bottom plan view thereof;
FIG. 8 is a front perspective view of a second embodiment of a video camera bag;
FIG. 9 is a rear perspective view; and
FIG. 10 is a front perspective view with the cover open.

[56] References Cited

U.S. PATENT DOCUMENTS

D. 194,139	11/1962	Parsell	D3/33
D. 217,414	4/1970	Lang et al.	D3/33
D. 247,460	3/1978	Sykes	D3/33
D. 257,906	1/1981	Weinreb	D3/33
D. 268,545	4/1983	Weinreb	D3/71
2,665,801	1/1954	Berkman	150/52 J
2,691,401	10/1954	Kontoff et al.	150/52 J
2,707,506	5/1955	Kontoff et al.	150/52 J
2,827,096	3/1958	Hinson	150/52 J
2,893,523	7/1959	Mitchell	190/41 Z
2,960,137	11/1960	Lipsitz	150/52 J
2,988,125	6/1961	Reynolds	150/52 J



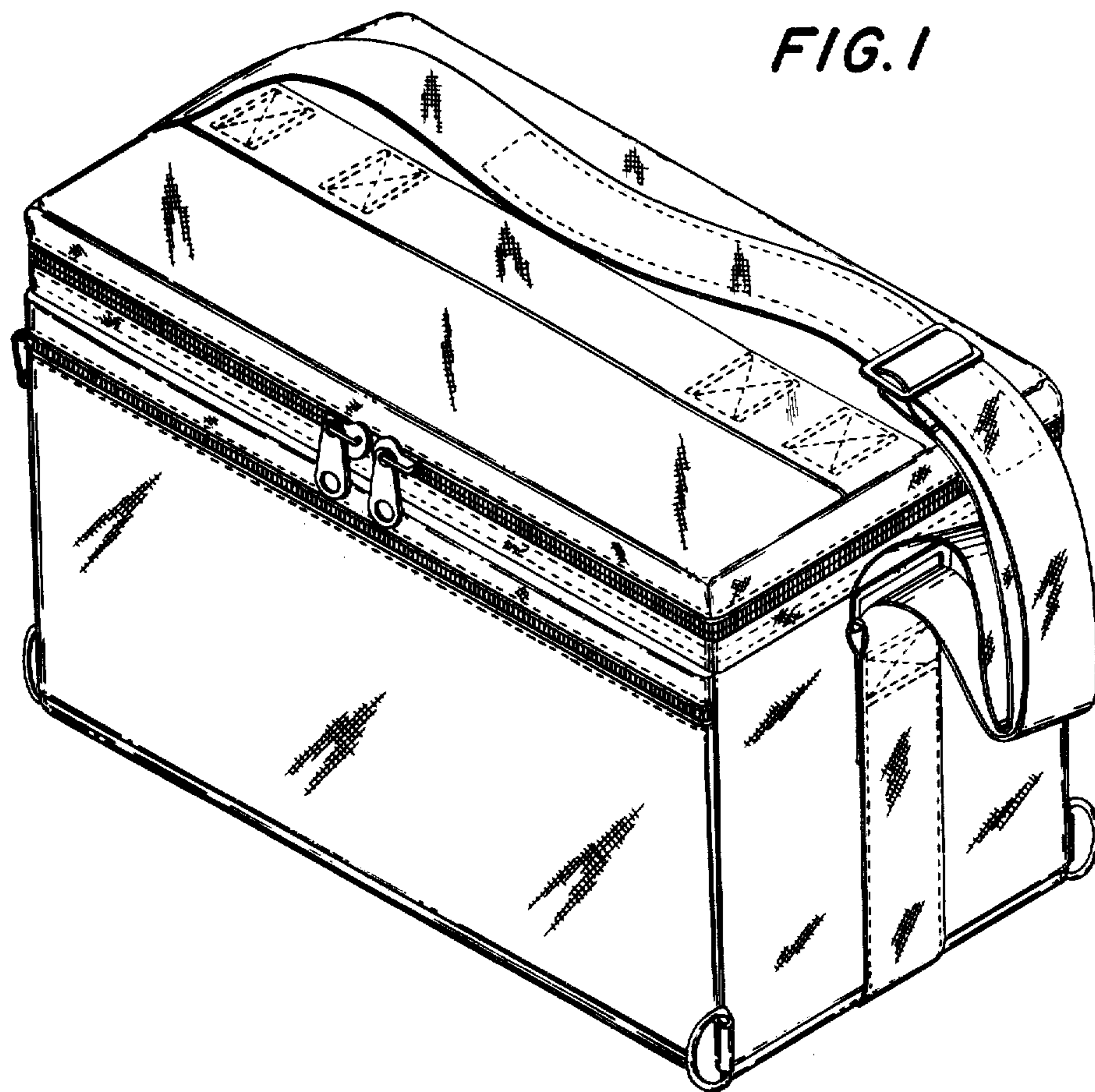


FIG. 1

FIG. 4

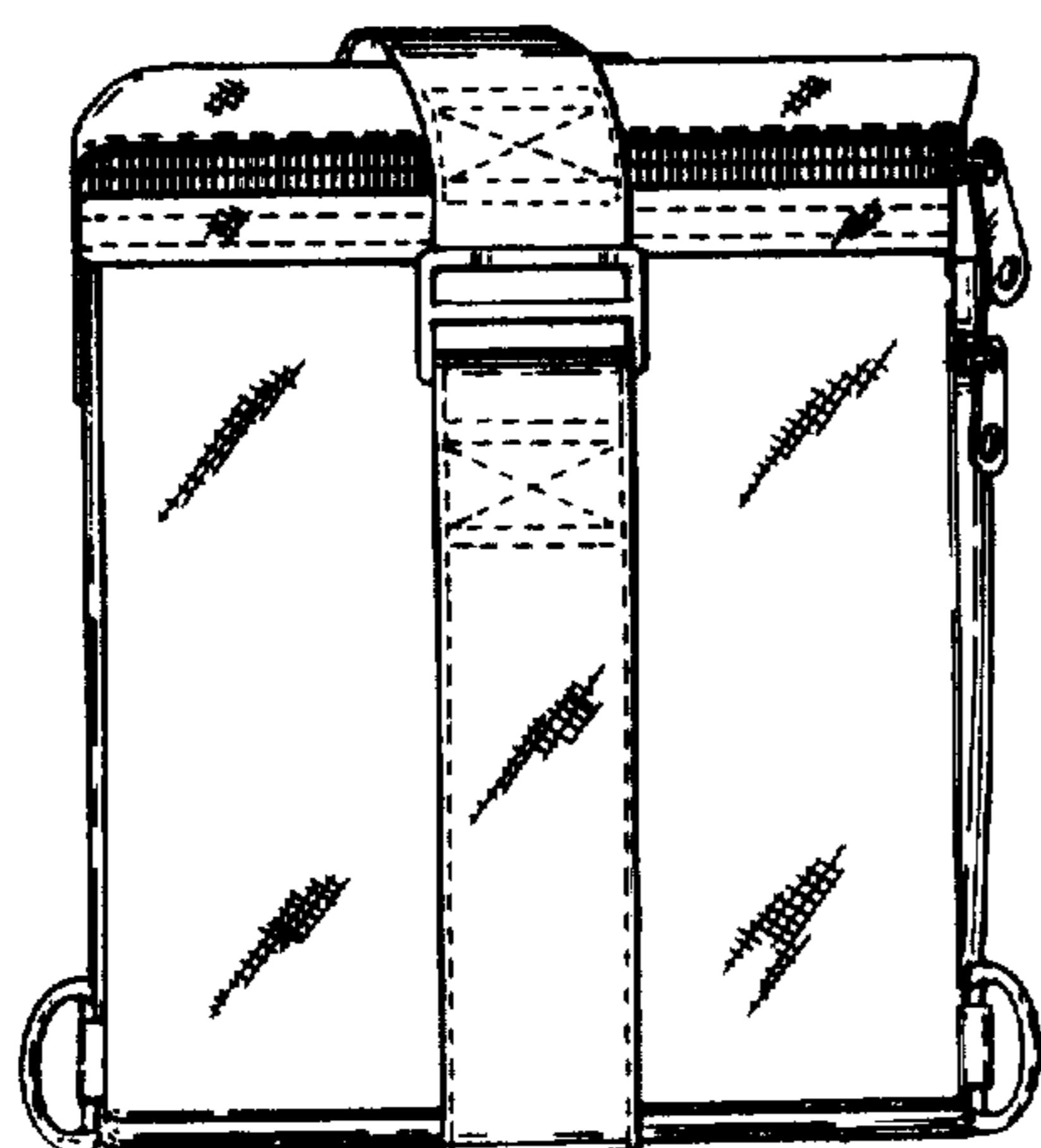


FIG. 5

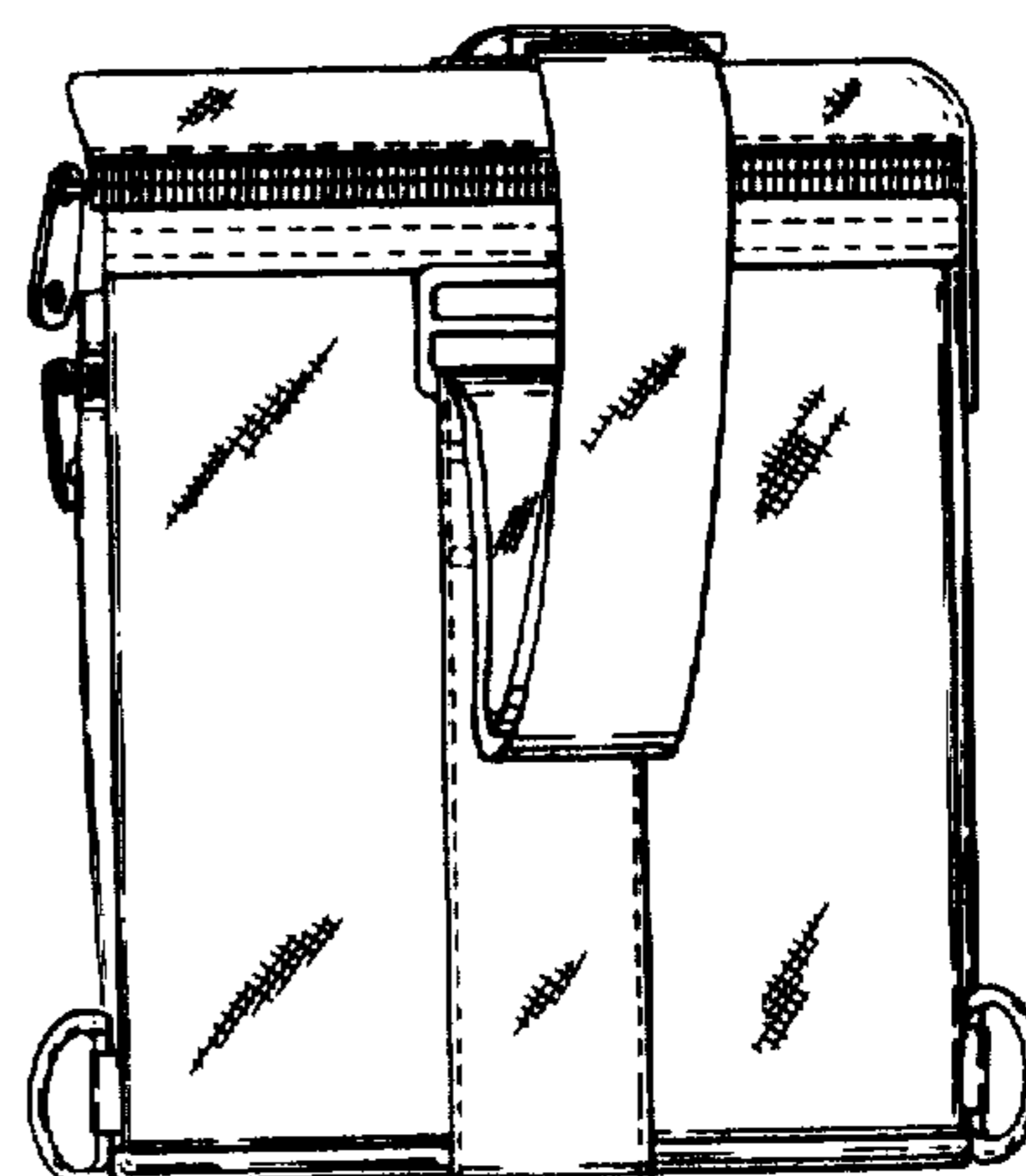


FIG. 2

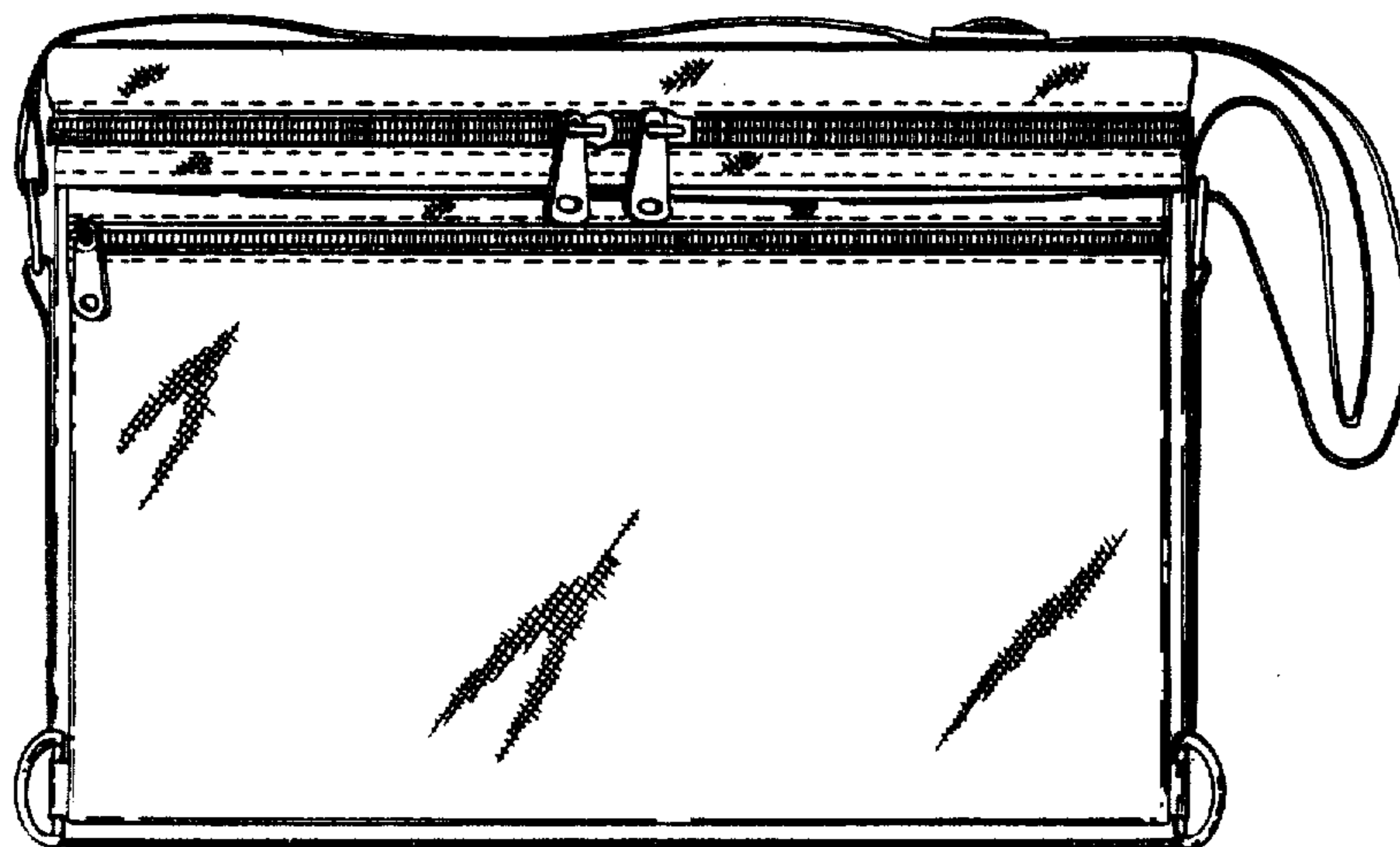


FIG. 3

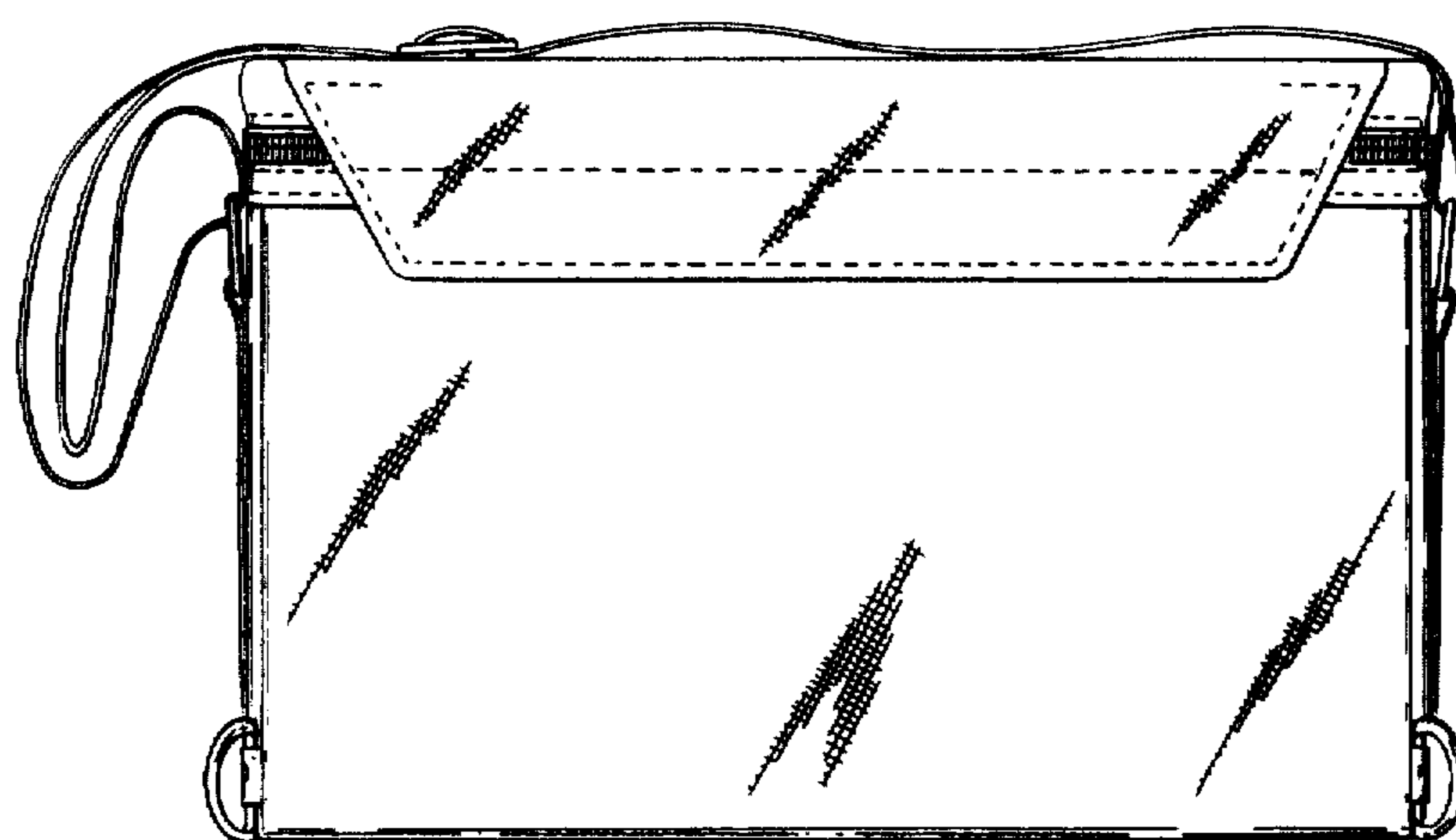


FIG. 6

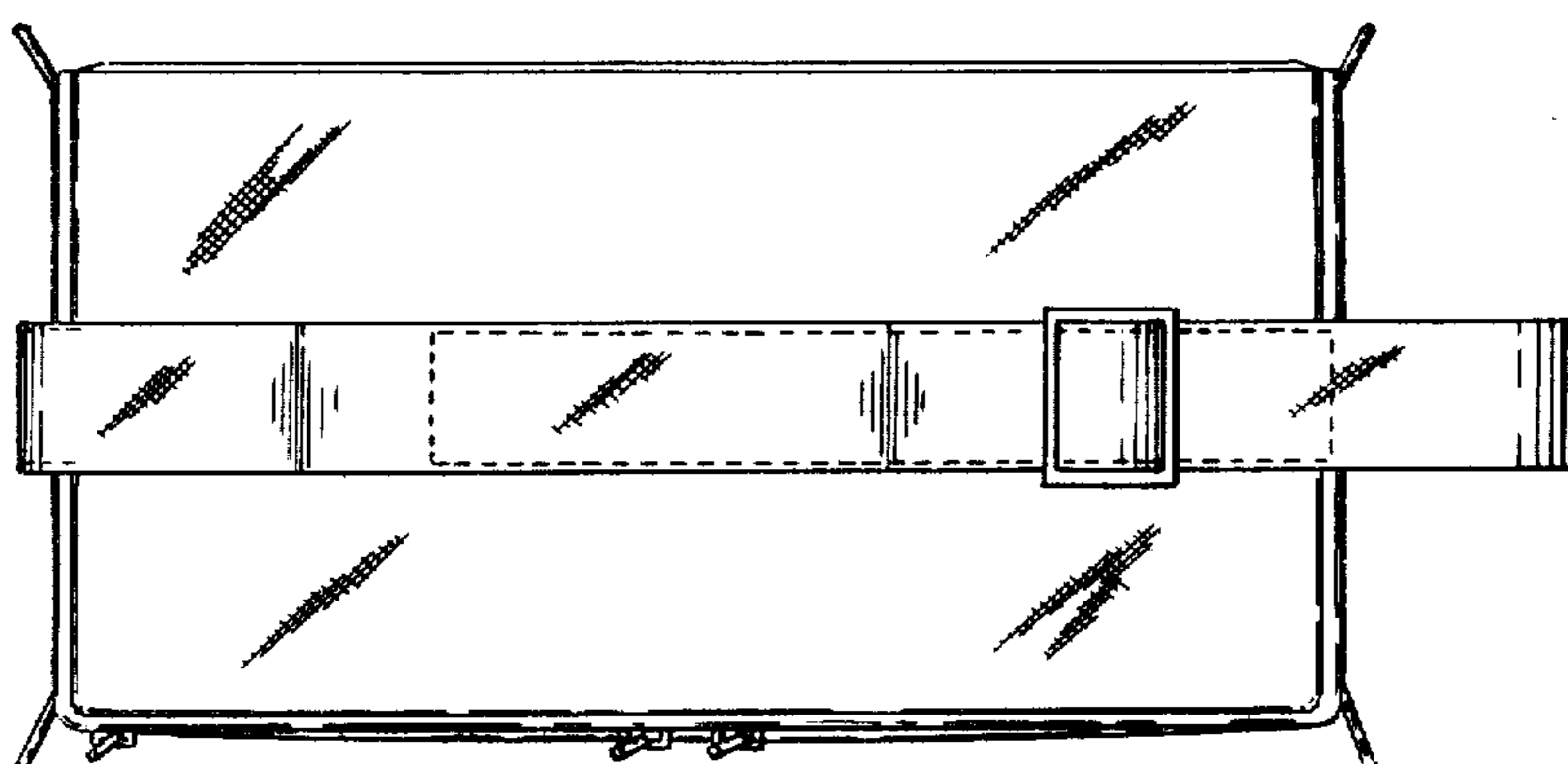
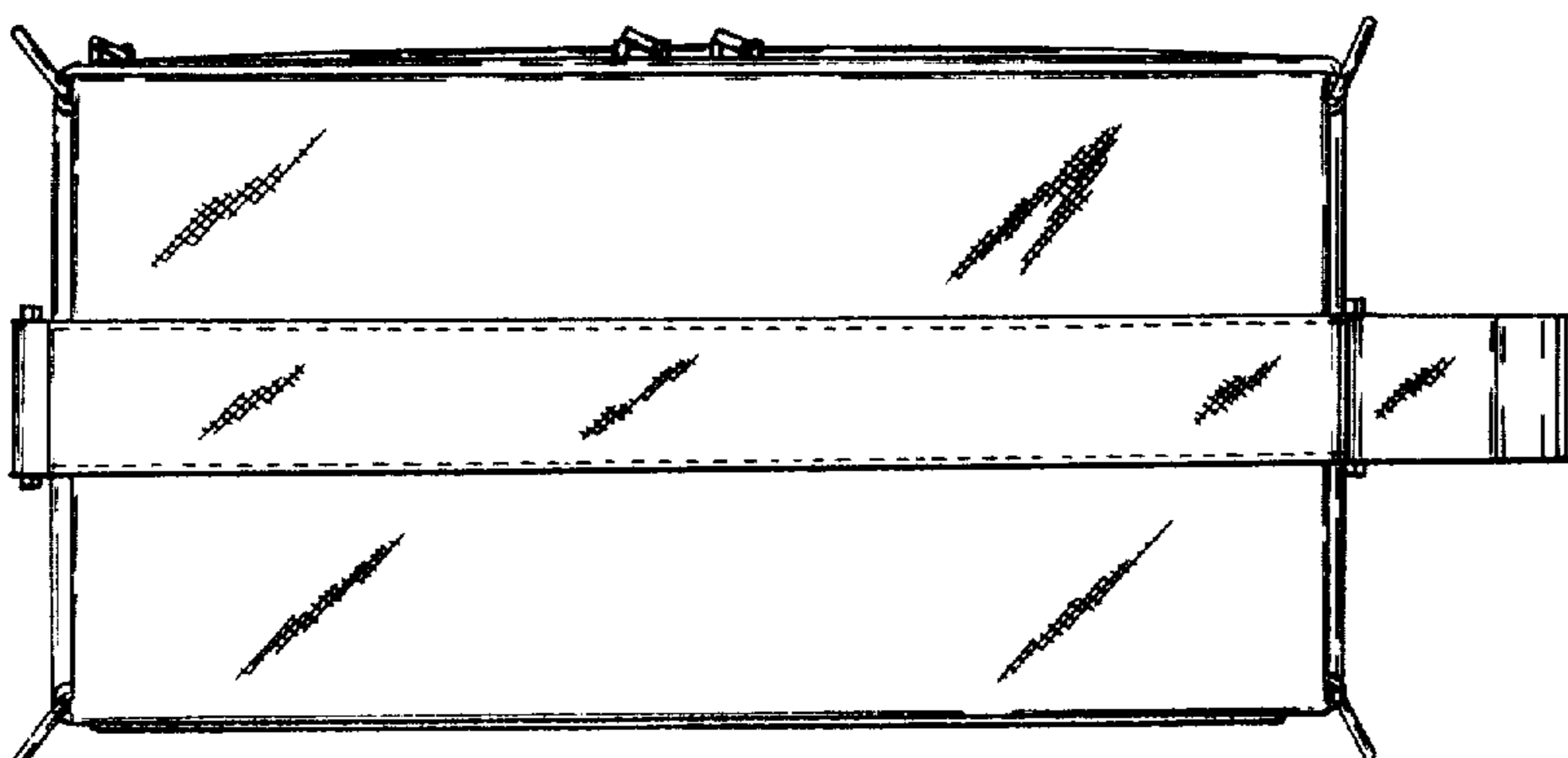


FIG. 7



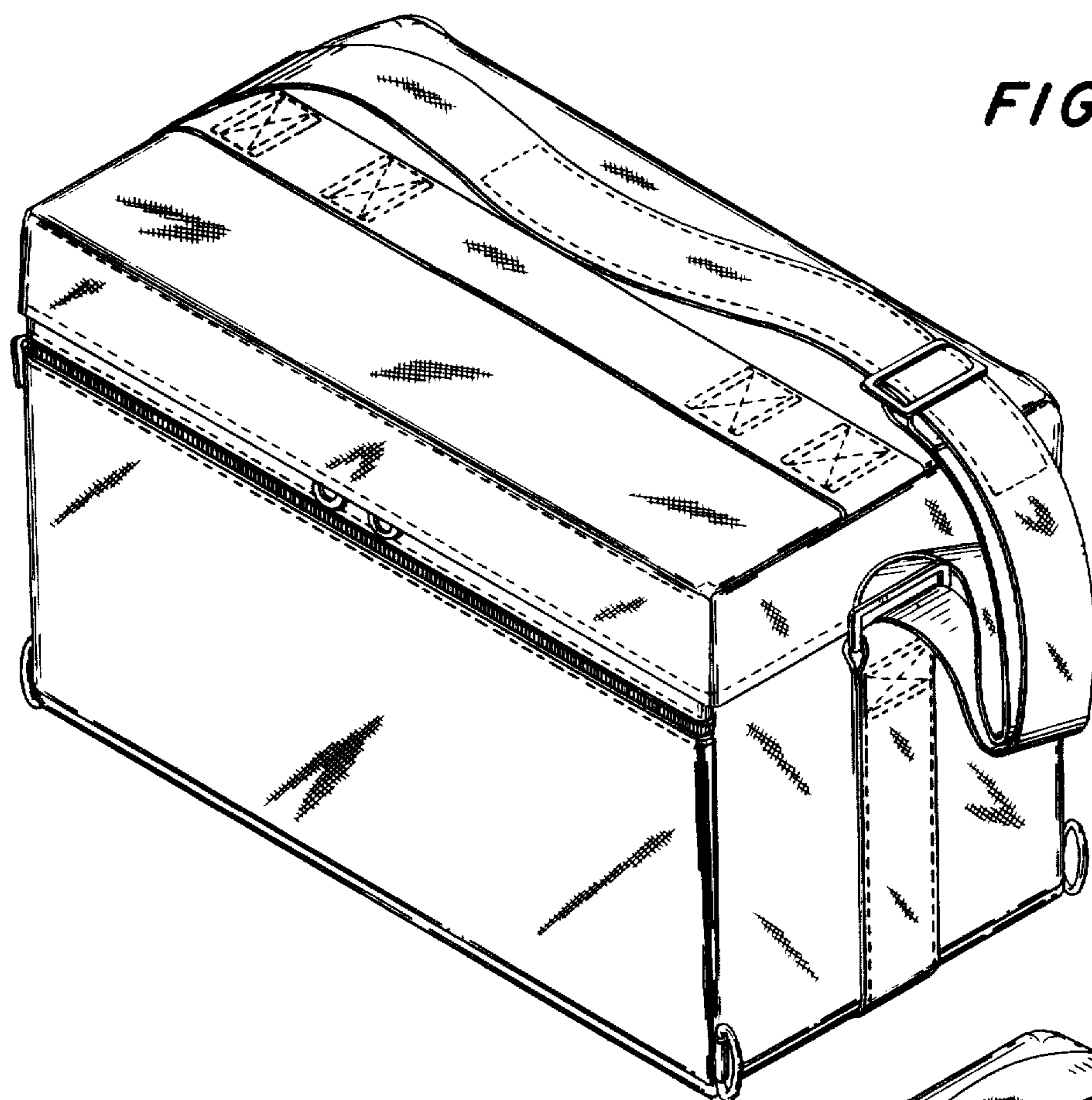


FIG. 8

FIG. 9

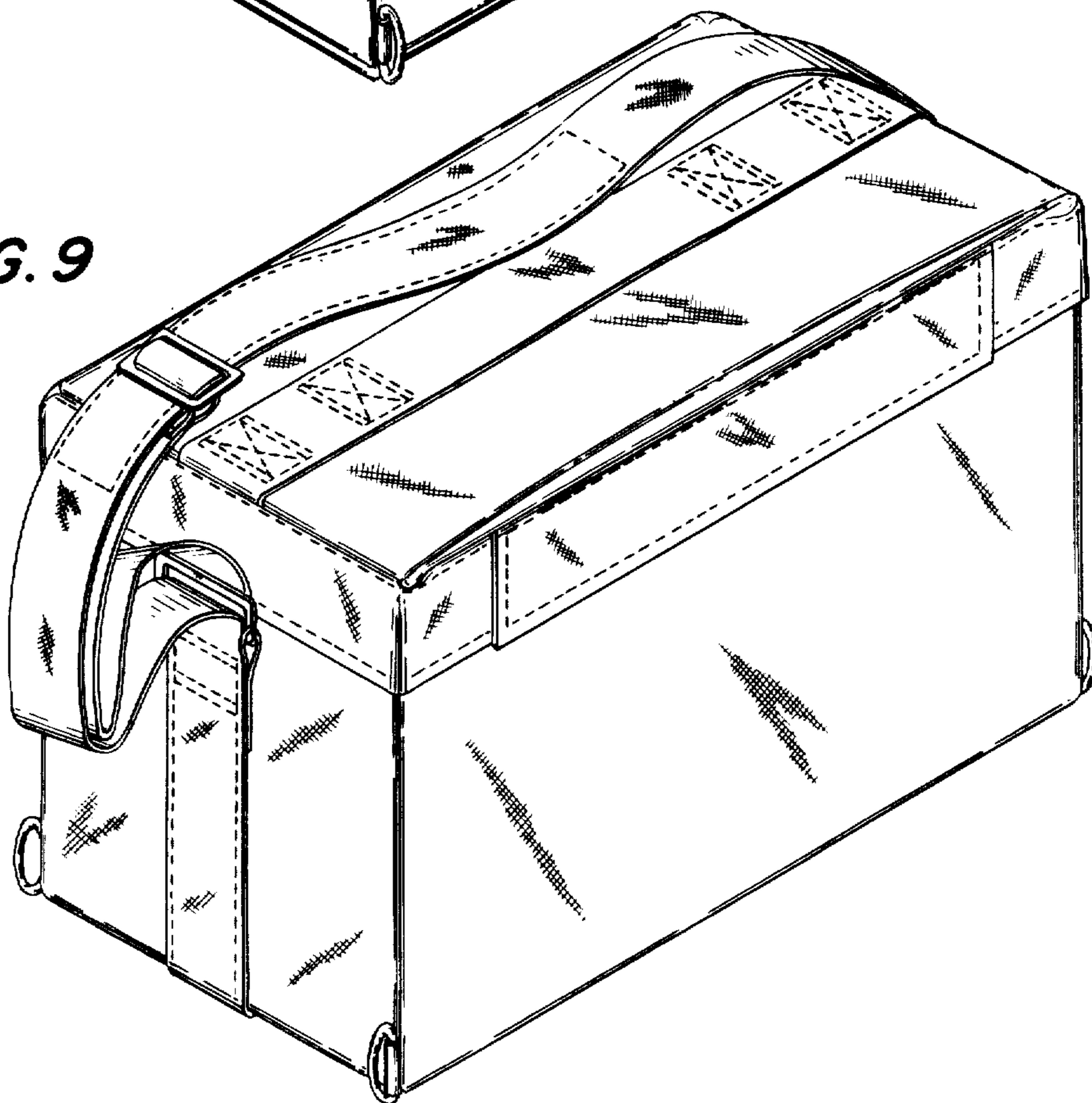


FIG. 10

