

[54] UNIVERSAL COMB ATTACHMENT

4,308,670 1/1982 Bonnema 34/97

[76] Inventor: Sterling A. Frey, 4238 Bordeaux, St. Louis, Mo. 63129

Primary Examiner—Louis S. Zarfes
Attorney, Agent, or Firm—Neal Kalishman

[**] Term: 14 Years

[57] CLAIM

[21] Appl. No.: 233,909

The ornamental design for a universal comb attachment, as shown and described.

[22] Filed: Feb. 12, 1981

DESCRIPTION

[52] U.S. Cl. D28/18; D28/25

[58] Field of Search D28/9, 10, 12, 13, 15, D28/18, 21-25, 28-31; 132/9, 11 R, 148; 34/96-100

FIG. 1 is a top perspective view of a universal comb attachment showing my new design, the broken line disclosure of a hair dryer being illustrative of the environment only;

FIG. 2 is a bottom perspective view thereof;

FIG. 3 is a top plan view thereof;

FIG. 4 is a side plan view thereof;

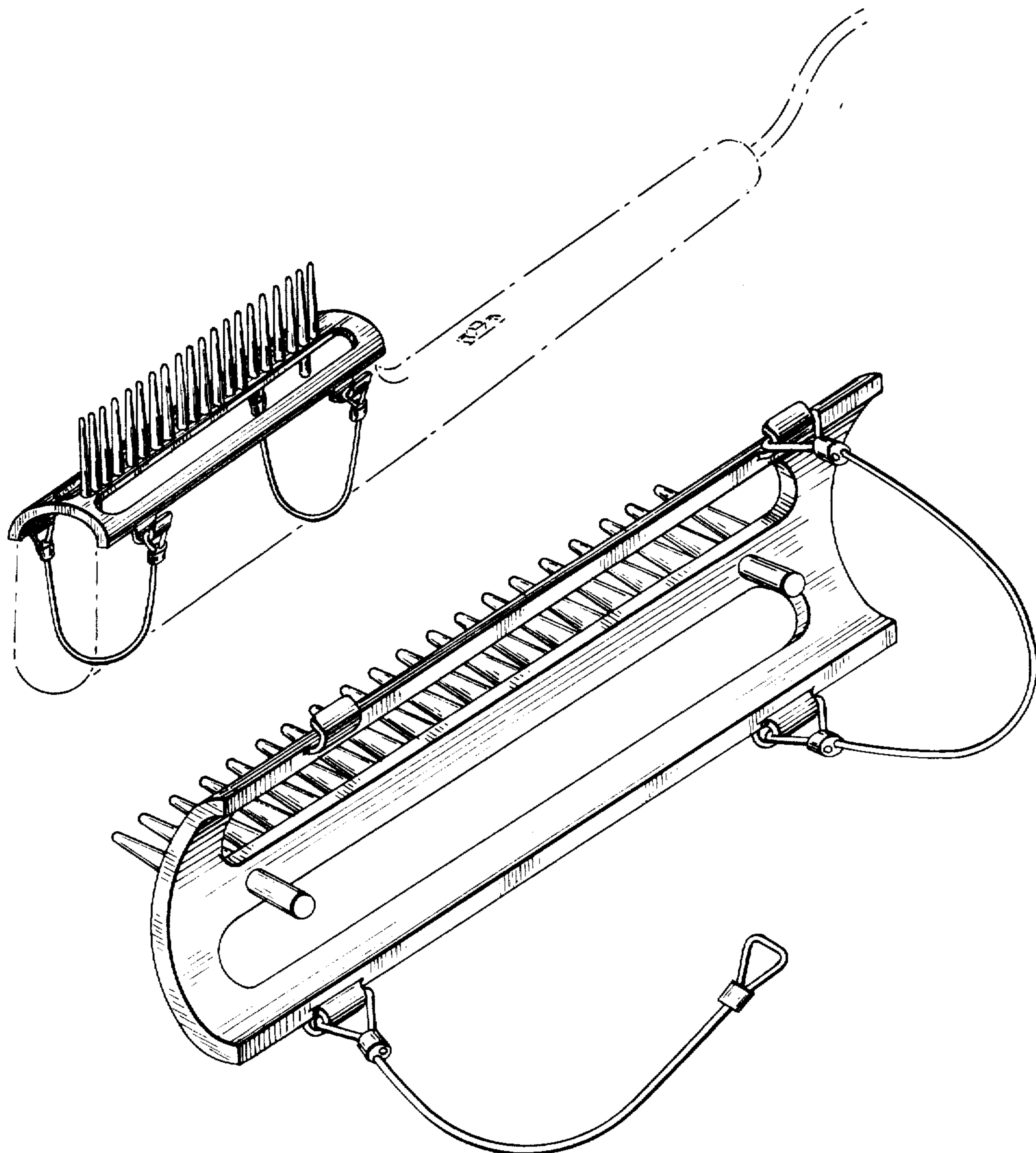
FIG. 5 is a left end elevational view thereof; and

FIG. 6 is a right end elevational view thereof.

[56] References Cited

U.S. PATENT DOCUMENTS

- D. 225,587 12/1972 Tucker et al. D28/13
- D. 245,453 8/1977 Cousins et al. D28/18



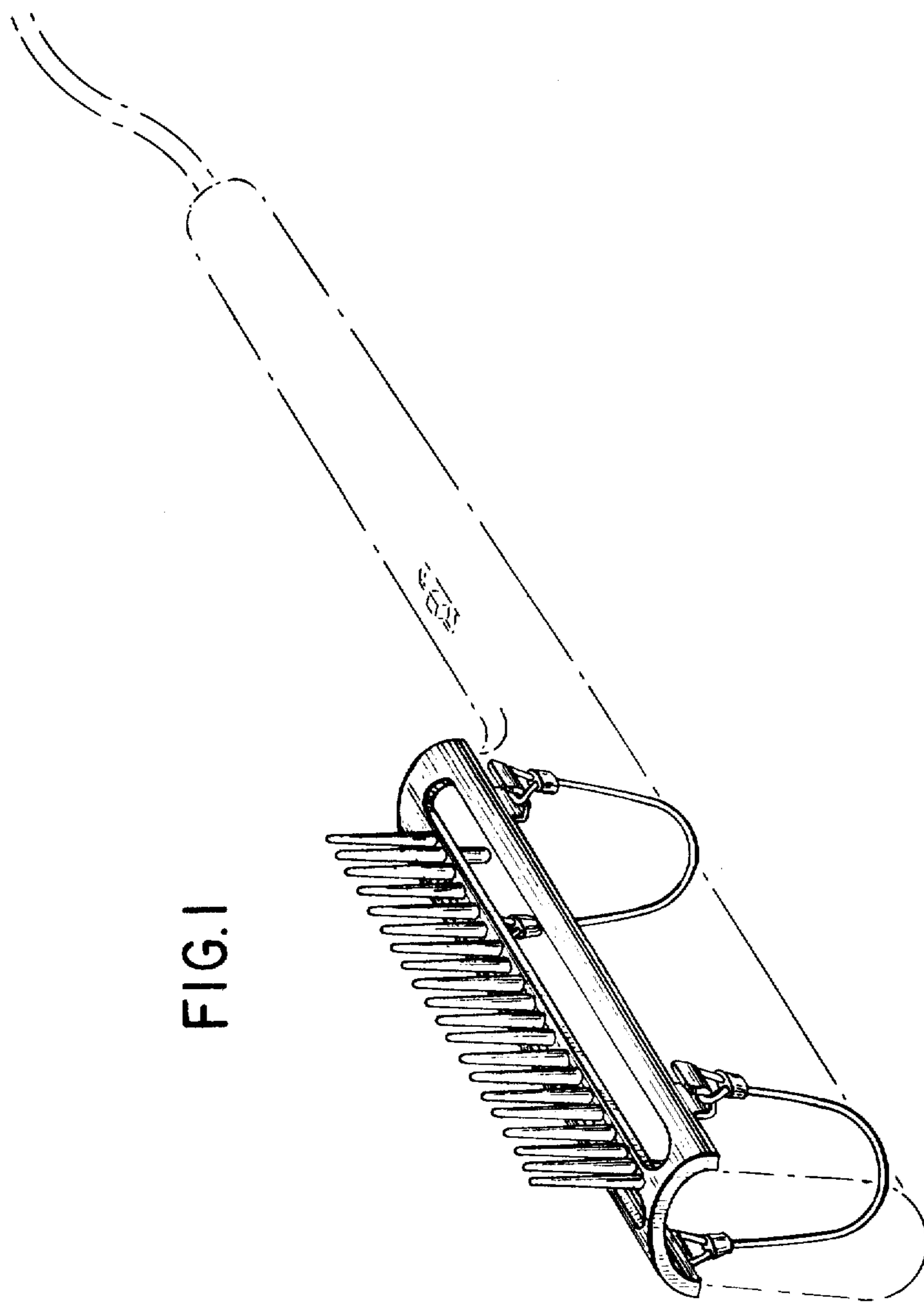


FIG.1

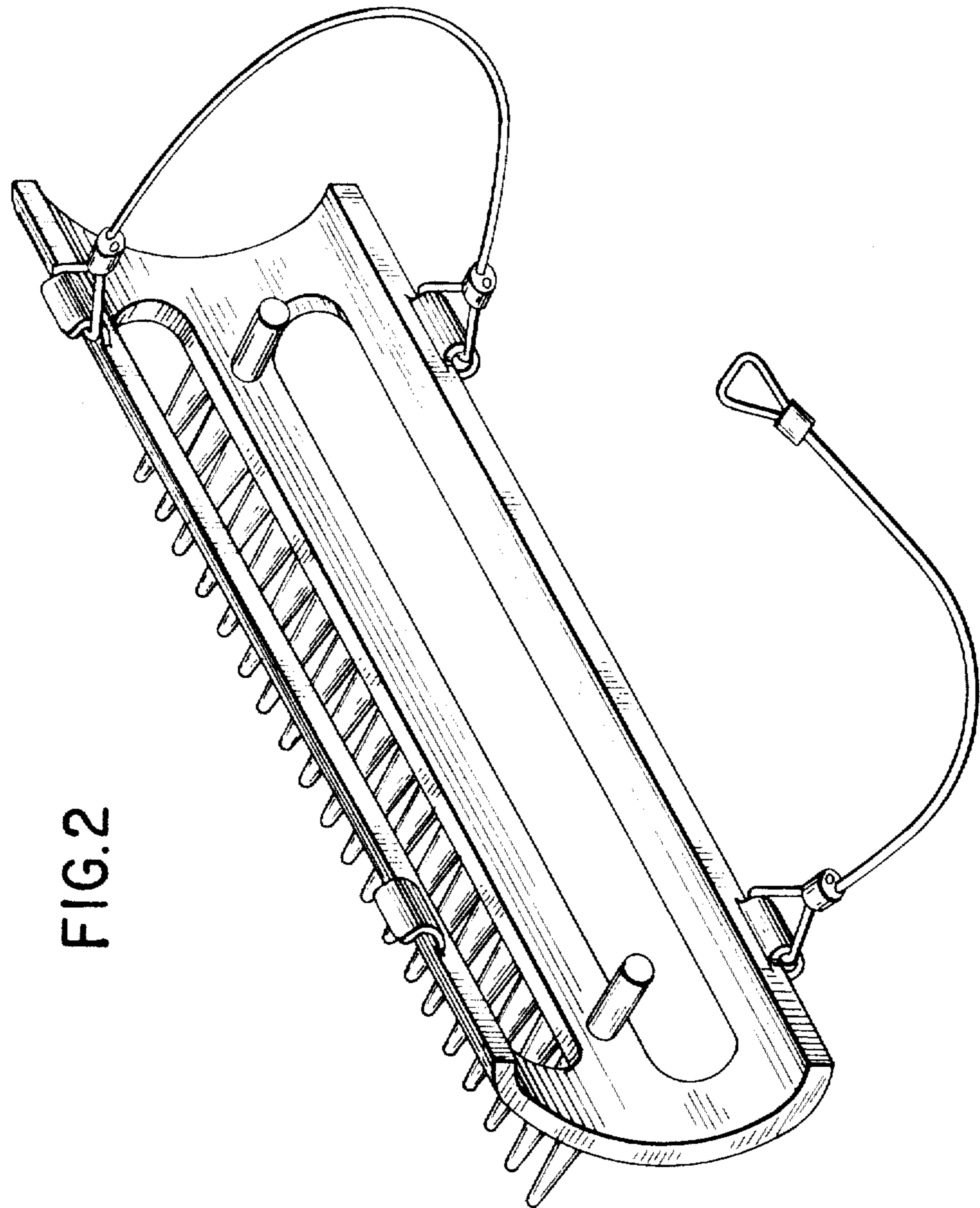


FIG. 2

FIG. 3

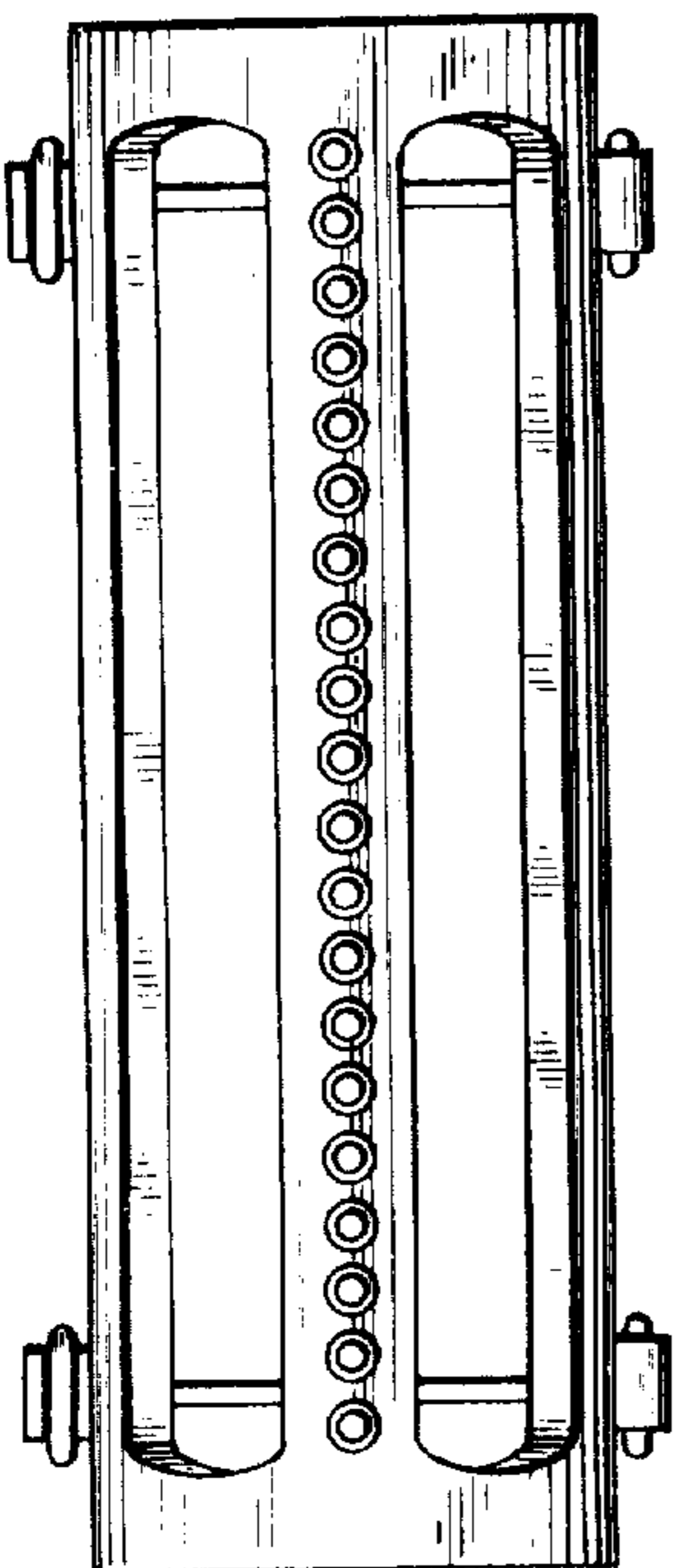


FIG. 6

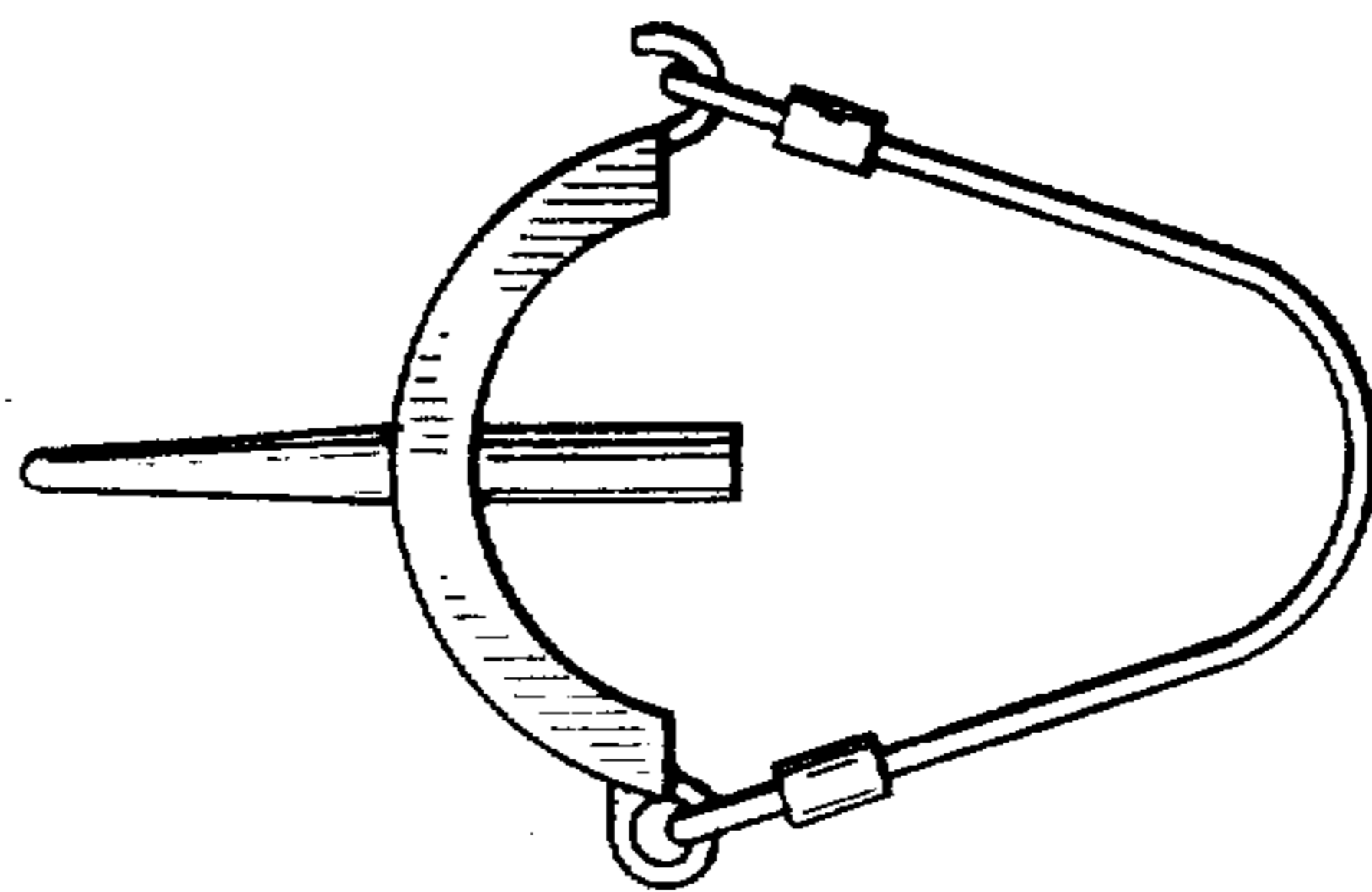


FIG. 4

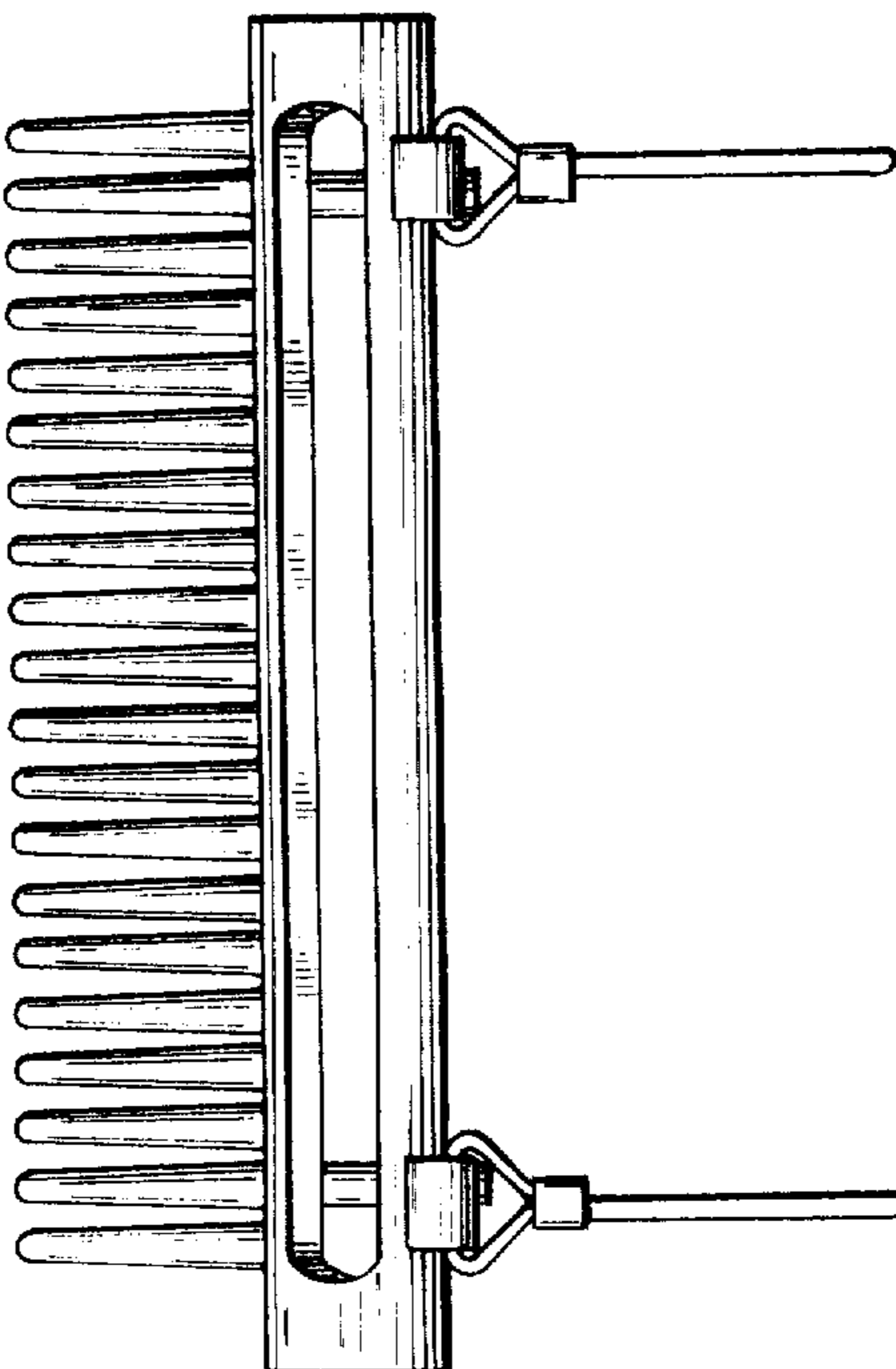


FIG. 5

