

[54] LINEAR SURGICAL STAPLING INSTRUMENT

[75] Inventor: Lawrence E. Spreckelmeier, Cincinnati, Ohio

[73] Assignee: Senco Products, Inc., Cincinnati, Ohio

[\*\*] Term: 14 Years

[21] Appl. No.: 503,230

[22] Filed: Jun. 10, 1983

[52] U.S. Cl. .... D24/26; D24/27; 128/334 R; 227/19

[58] Field of Search ..... D24/26, 27; 128/334 R; 227/19, DIG. 1, 135, 155

[56] References Cited

U.S. PATENT DOCUMENTS

D. 253,611 12/1979 Jarvik et al. .... D24/26

D. 253,613 12/1979 Jarvik et al. .... D24/27  
D. 265,683 8/1982 Drummond .... D24/27  
D. 269,459 6/1983 Butter et al. .... D24/27  
4,296,881 10/1981 Lee ..... 128/334 R X  
4,354,628 10/1982 Green ..... 128/334 R X  
4,383,634 5/1983 Green ..... 227/19

Primary Examiner—Bernard Ansher  
Attorney, Agent, or Firm—Frost & Jacobs

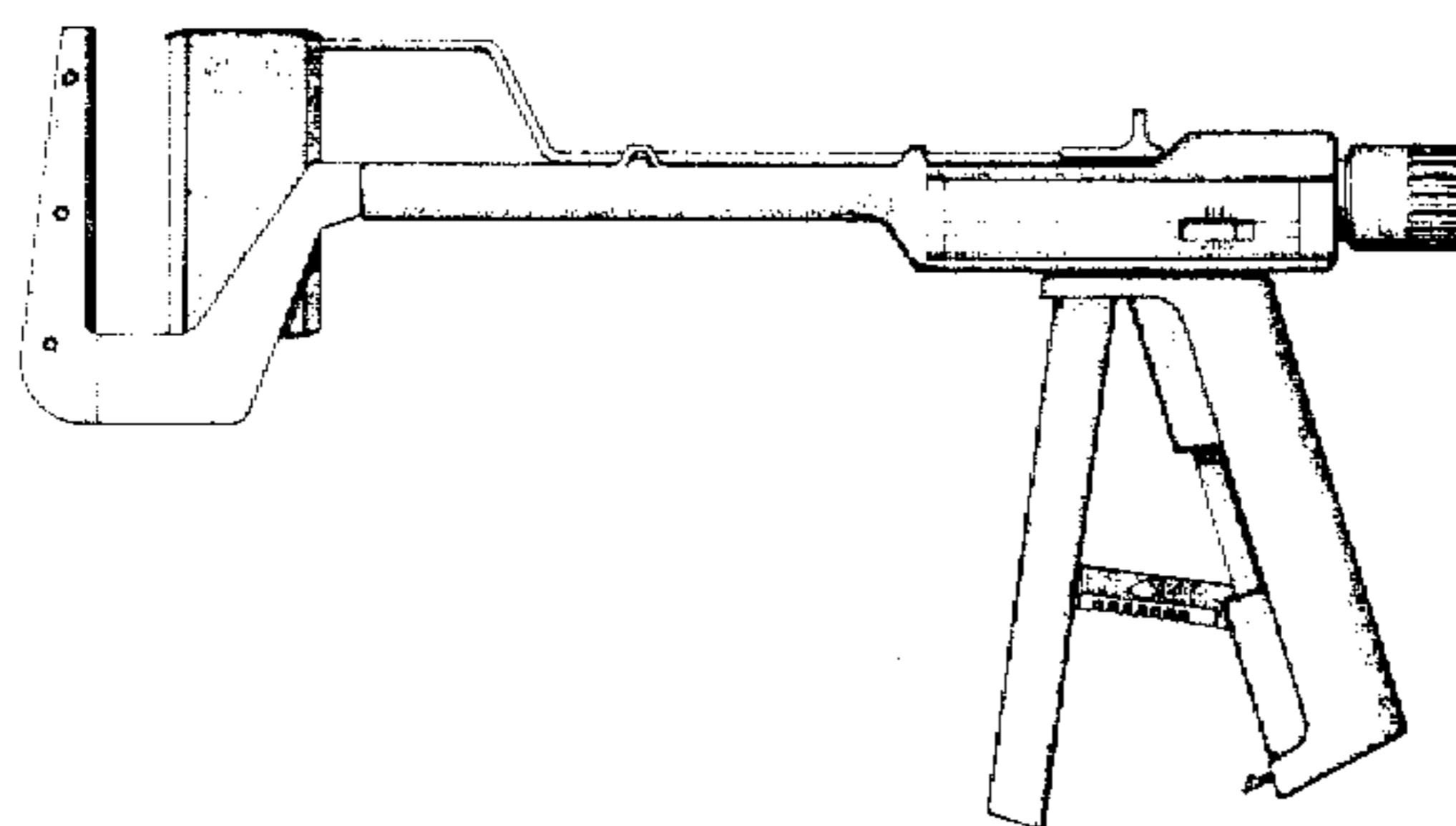
[57] CLAIM

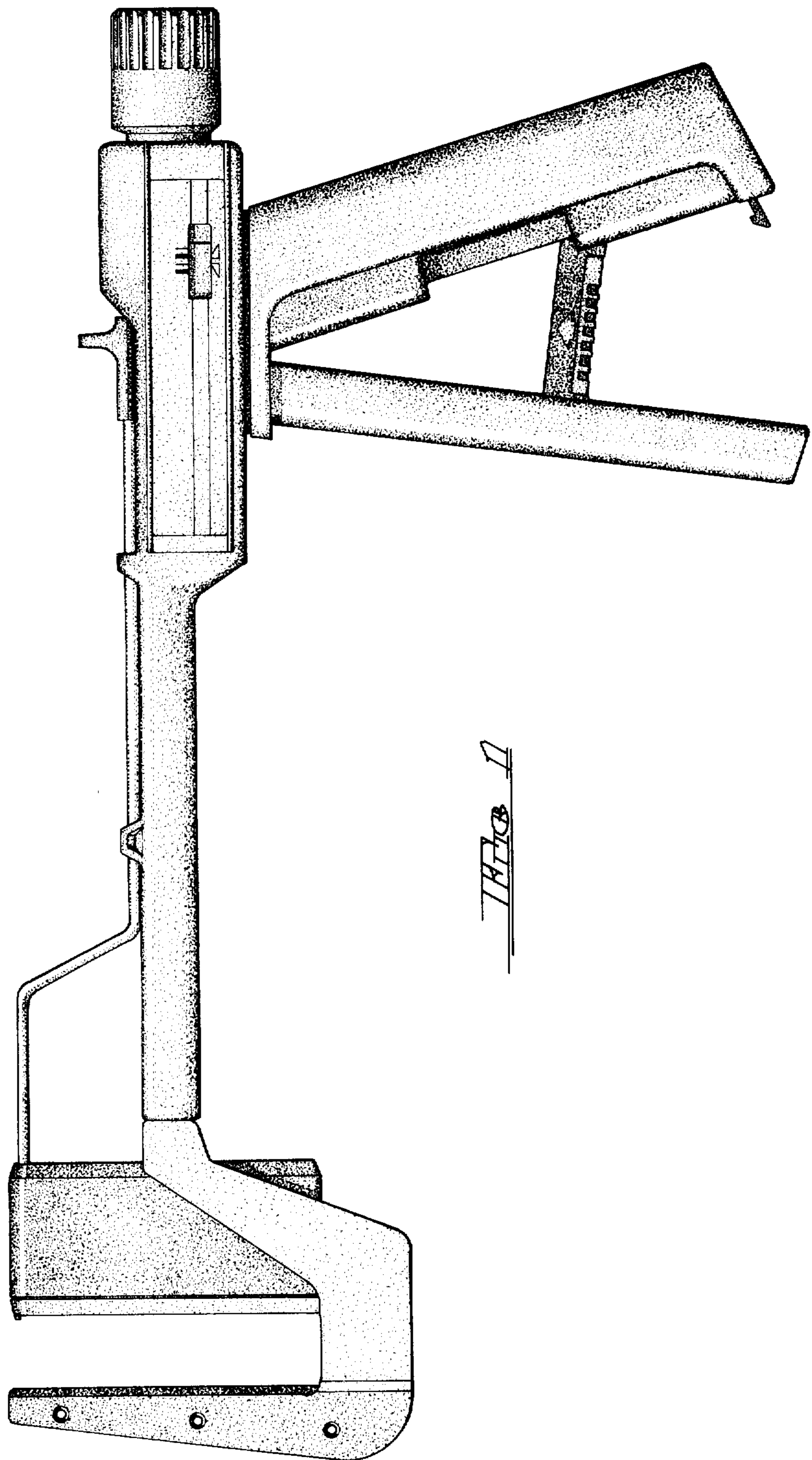
The ornamental design for a linear surgical stapling instrument, as shown and described.

DESCRIPTION

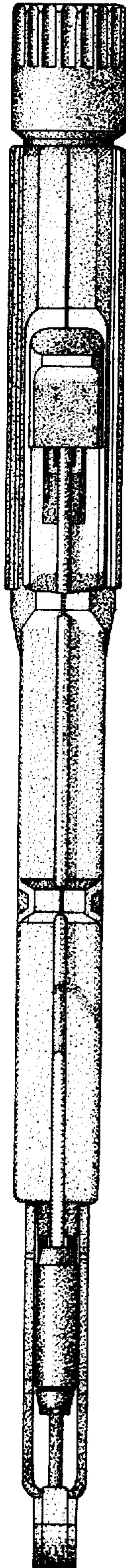
FIG. 1 is a side elevational view of the surgical stapling instrument showing my new design; FIG. 2 is a top plan view thereof; FIG. 3 is a bottom plan view thereof; FIG. 4 is a front view thereof; and FIG. 5 is a rear view.

The side not shown is a mirror image of the side shown.

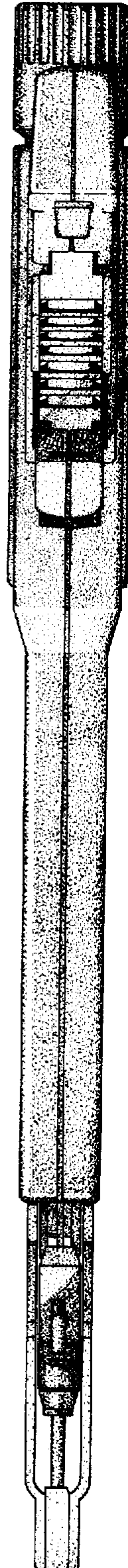




*THE BENT*



*FIG. 2*



*FIG. 3*

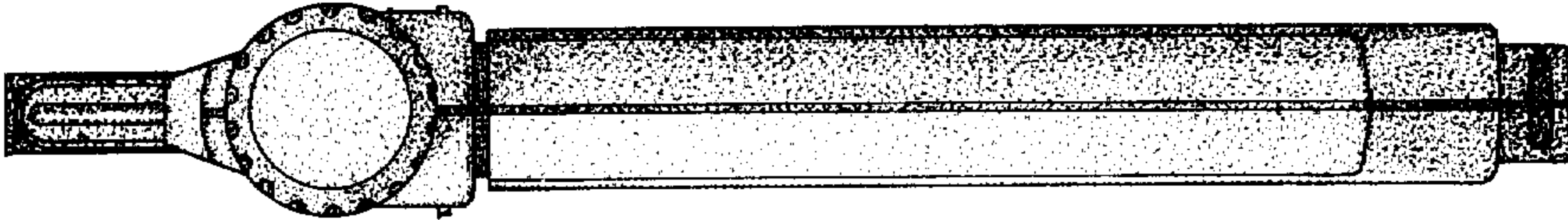


FIG 5

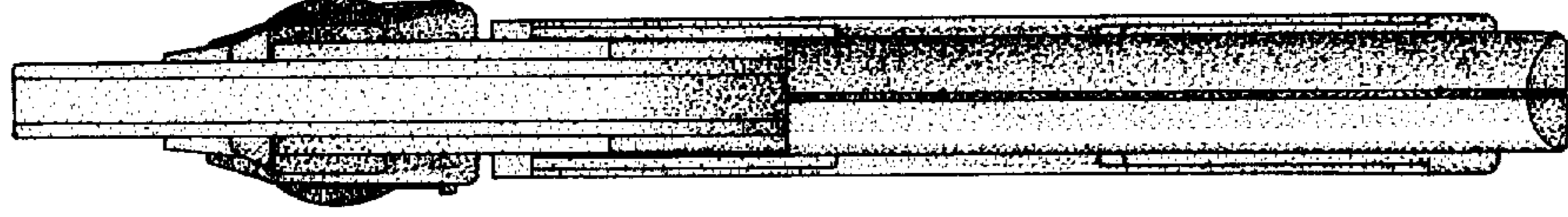


FIG 4A