

[54] **FAUCET SET**

[76] Inventor: **Gerd Arnolds**, Hahnenfurter Str. 19,  
4000 Düsseldorf, Fed. Rep. of  
Germany

[\*\*] Term: **14 Years**

[21] Appl. No.: **272,828**

[22] Filed: **Jun. 11, 1981**

[30] **Foreign Application Priority Data**

Feb. 11, 1981 [DE] Fed. Rep. of Germany .. 89AR39/81

[52] U.S. Cl. .... **D23/25**

[58] Field of Search ..... **D23/23-32;**  
4/191, 192; 137/60, 68, 801

[56] **References Cited**

**U.S. PATENT DOCUMENTS**

D. 197,986	4/1964	Schlago	.....	D23/28 X
D. 227,251	6/1973	Botefur et al.	.....	D23/28
D. 250,272	11/1978	Jones	.....	D23/25
D. 261,223	10/1981	Seholl	.....	D8/310
D. 265,229	6/1982	Paul	.....	D23/25
D. 265,579	7/1982	Paul	.....	D23/25
D. 267,110	11/1982	Arnolds	.....	D23/25
D. 268,358	3/1983	Saporito et al.	.....	D23/25

**OTHER PUBLICATIONS**

Architectural Forum, Nov. 1957, p. 3, top right item.  
Domestic Engineering, Jun. 1961, p. 17, top left item.  
Interiors, Sep. 1958, p. 164, top left item.  
House & Home, May 1957, center left item.

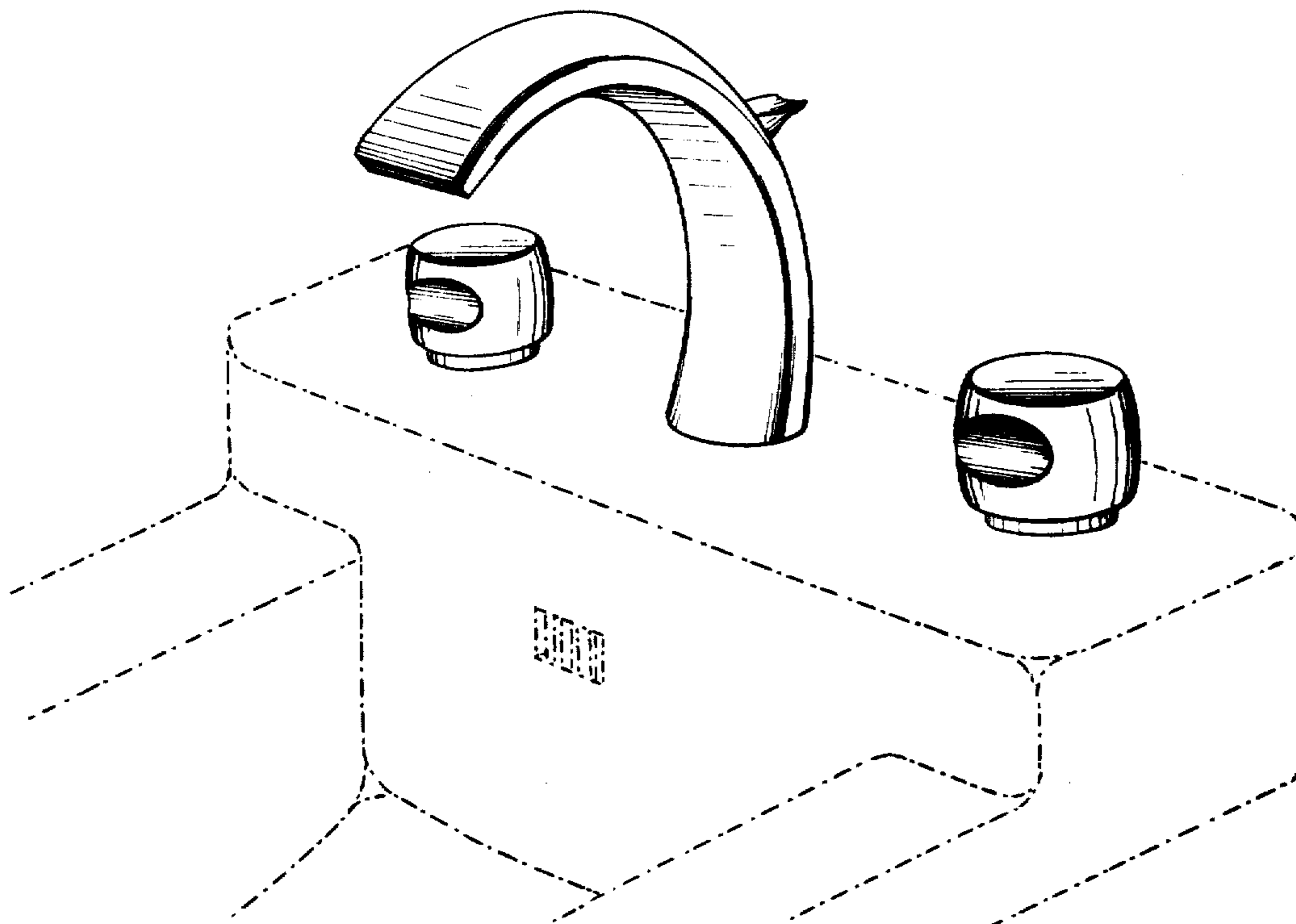
*Primary Examiner*—James R. Largen  
*Attorney, Agent, or Firm*—Martin A. Farber

[57] **CLAIM**

The ornamental design for a faucet set, as shown.

**DESCRIPTION**

FIG. 1 is a perspective view of a faucet set embodying my new design;  
FIG. 2 is a top plan view of the spout thereof;  
FIG. 3 is a bottom plan view of FIG. 2;  
FIG. 4 is a front elevational view of FIG. 2;  
FIG. 5 is a rear elevational view of FIG. 2;  
FIG. 6 is a left side elevational view of FIG. 2, the right side being a mirror image of the left side shown;  
FIG. 7 is a top plan view of one of the faucet handles thereof;  
FIG. 8 is a bottom plan view of FIG. 7;  
FIG. 9 is a front elevational view of FIG. 7;  
FIG. 10 is a left side elevational view of FIG. 7, the right side being a mirror image of the left side shown; and  
FIG. 11 is a rear elevational view of FIG. 7.



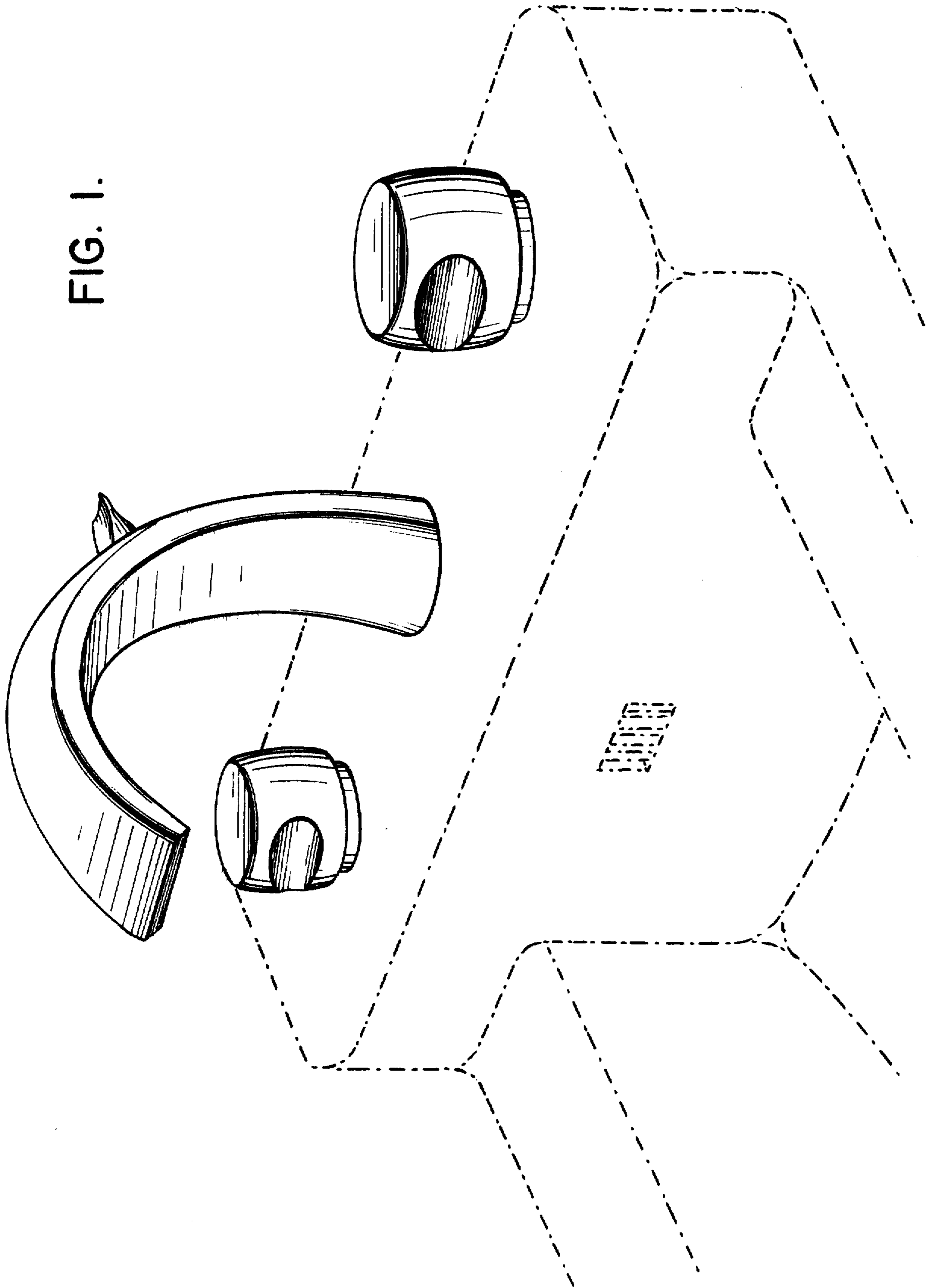


FIG. 1.

FIG. 2.

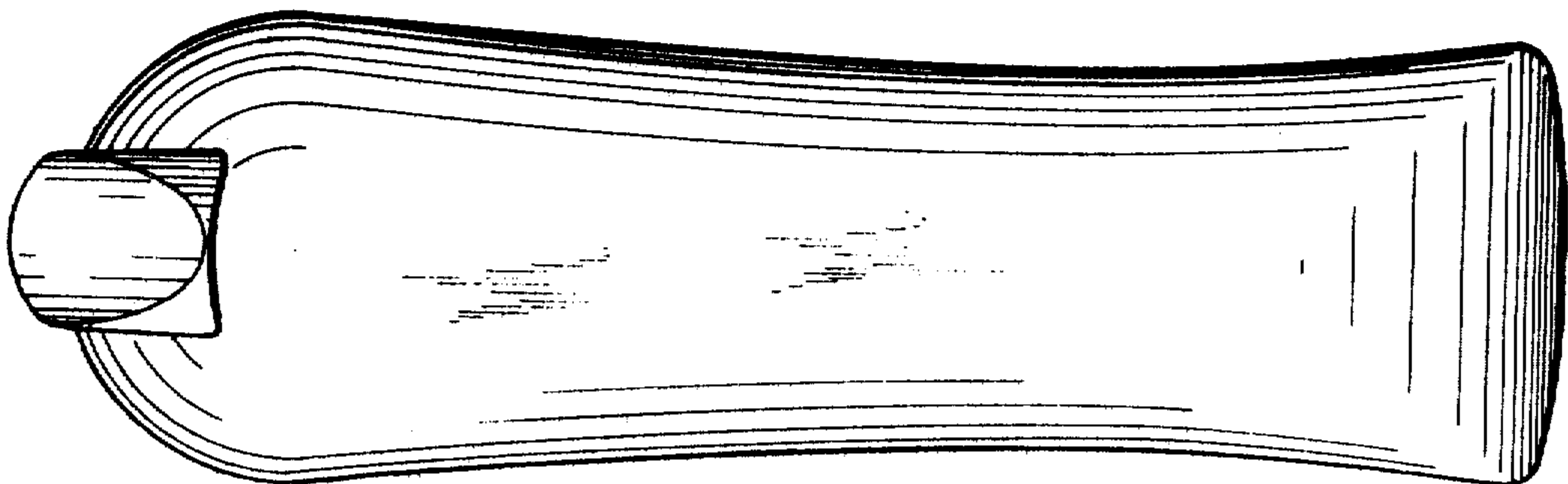


FIG. 3.

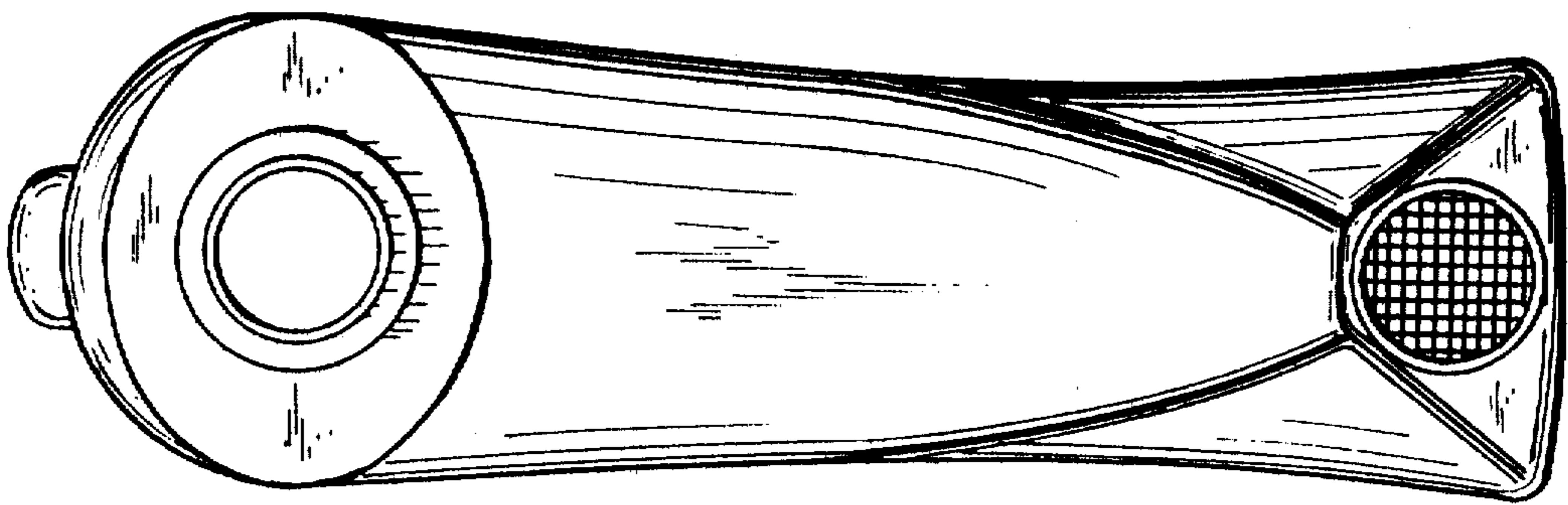


FIG. 4.

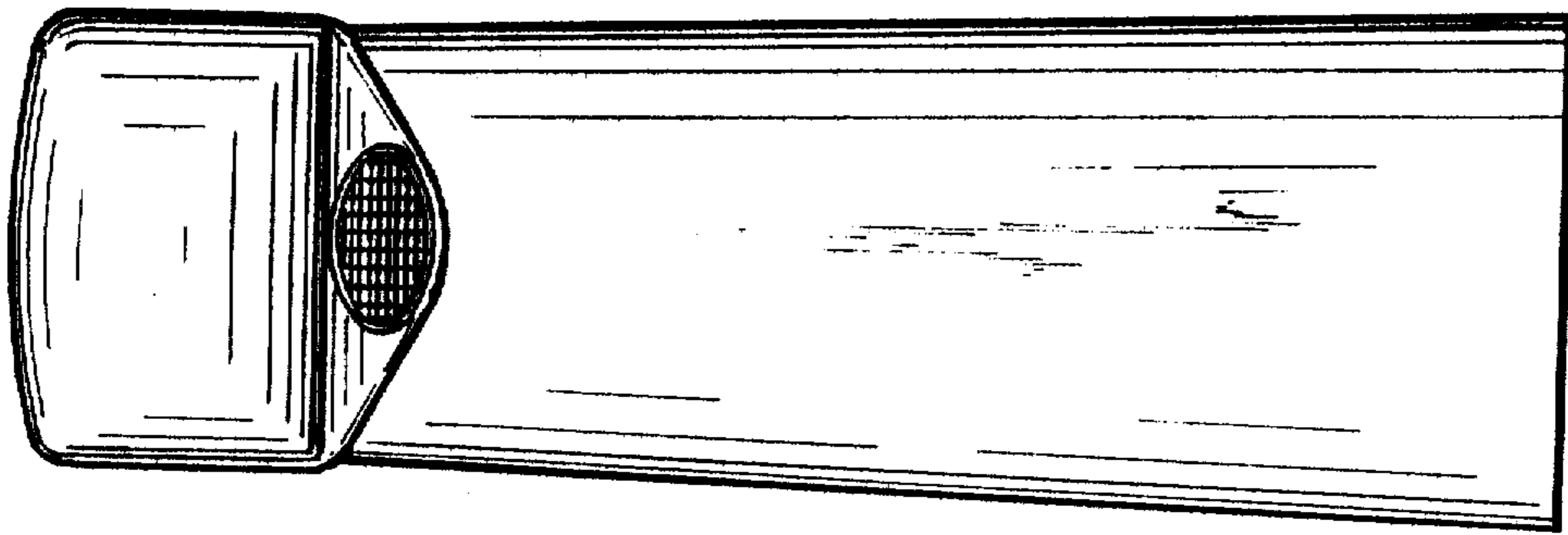


FIG. 5.

