

[54] **DRILL PRESS OR SIMILAR ARTICLE**

- [75] Inventor: **Lawrence E. House, II**, Baltimore, Md.
- [73] Assignee: **Black & Decker Inc.**, Newark, Del.
- [\*\*] Term: **14 Years**
- [21] Appl. No.: **231,427**
- [22] Filed: **Feb. 4, 1981**
- [52] U.S. Cl. .... **D15/132**
- [58] Field of Search ..... **D15/122, 132; 408/87, 408/90, 135**

[56] **References Cited**

**U.S. PATENT DOCUMENTS**

D. 195,735	7/1963	Snyder .....	D15/132
D. 222,108	9/1971	Freer .....	D15/132
D. 264,849	6/1982	Irelan .....	D15/132
3,069,936	12/1962	Gideon .....	408/90
3,118,325	1/1964	Pettigrew .	
3,251,250	5/1966	Mitchell .....	408/135
3,822,961	7/1974	Lay .....	408/135
3,837,757	9/1974	Levine .....	408/135
3,940,970	3/1976	Terral et al. ....	408/90
4,072,439	2/1978	Diggs .....	408/90
4,118,141	10/1978	Spohn .....	408/90
4,317,176	2/1982	Saar et al. ....	364/174

*Primary Examiner*—B. J. Bullock  
*Attorney, Agent, or Firm*—Finnegan, Henderson, Farabow, Garrett & Dunner

[57] **CLAIM**

The ornamental design for a drill press or similar article, as shown and described.

**DESCRIPTION**

FIG. 1 is a front elevational view of a drill press or similar article showing my new design;  
 FIG. 2 is a side elevational view taken from the right of FIG. 1;  
 FIG. 3 is a rear elevational view of FIG. 1;  
 FIG. 4 is a side elevational view taken from the left of FIG. 1;  
 FIG. 5 is a top plan view of FIG. 1;  
 FIG. 6 is a bottom plan view of FIG. 1;  
 FIG. 7 is a front elevational view of a second embodiment of the design of FIG. 1;  
 FIG. 8 is a side elevational view taken from the right of FIG. 7;  
 FIG. 9 is a rear elevational view of FIG. 7;  
 FIG. 10 is a side elevational view taken from the left of FIG. 7;  
 FIG. 11 is a top plan view of FIG. 7;  
 FIG. 12 is a bottom plan view of FIG. 7.  
 In FIGS. 1-4 and 7-10, the broken line showing of the chuck and the handle is for illustrative purposes only.

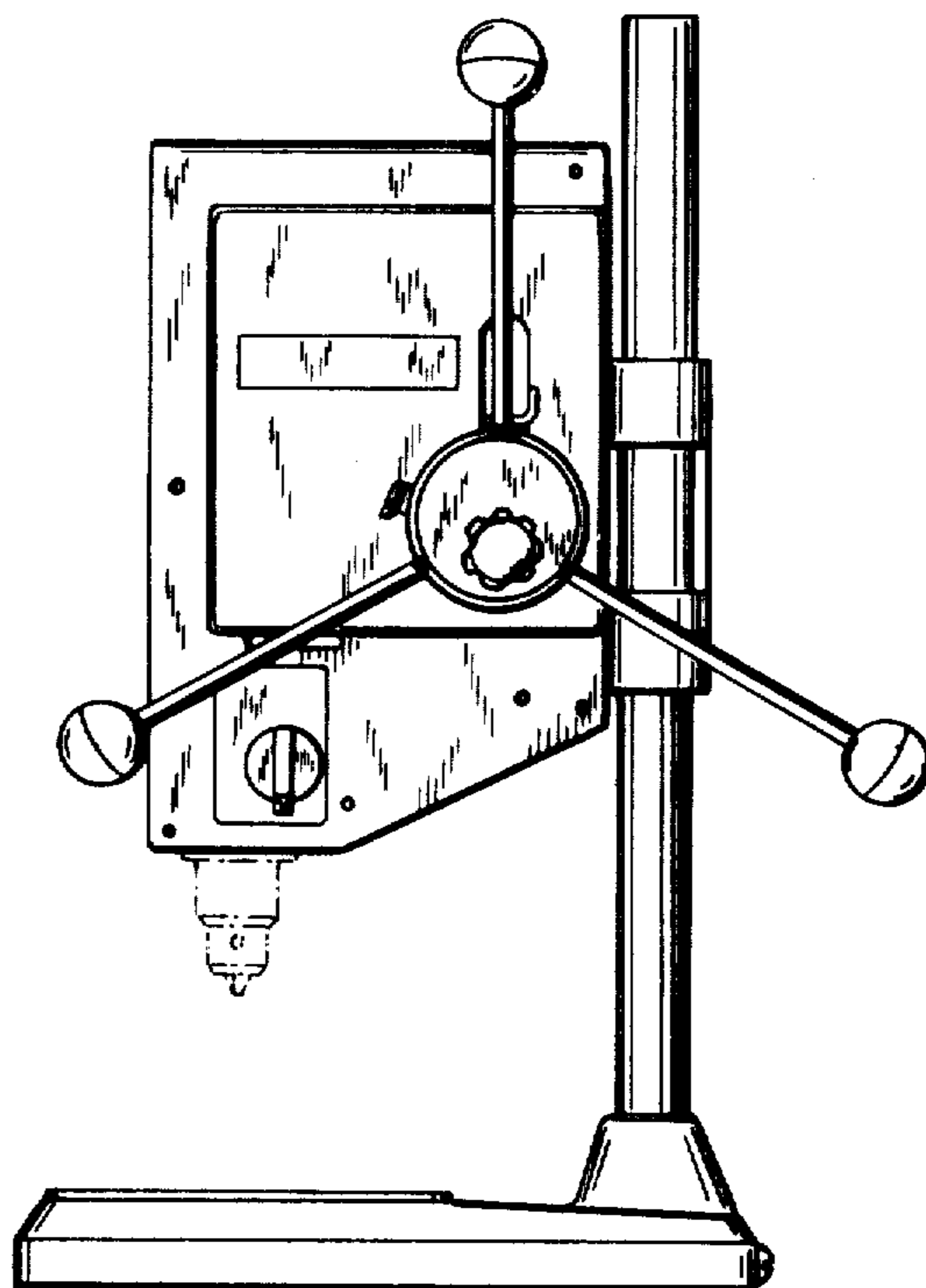
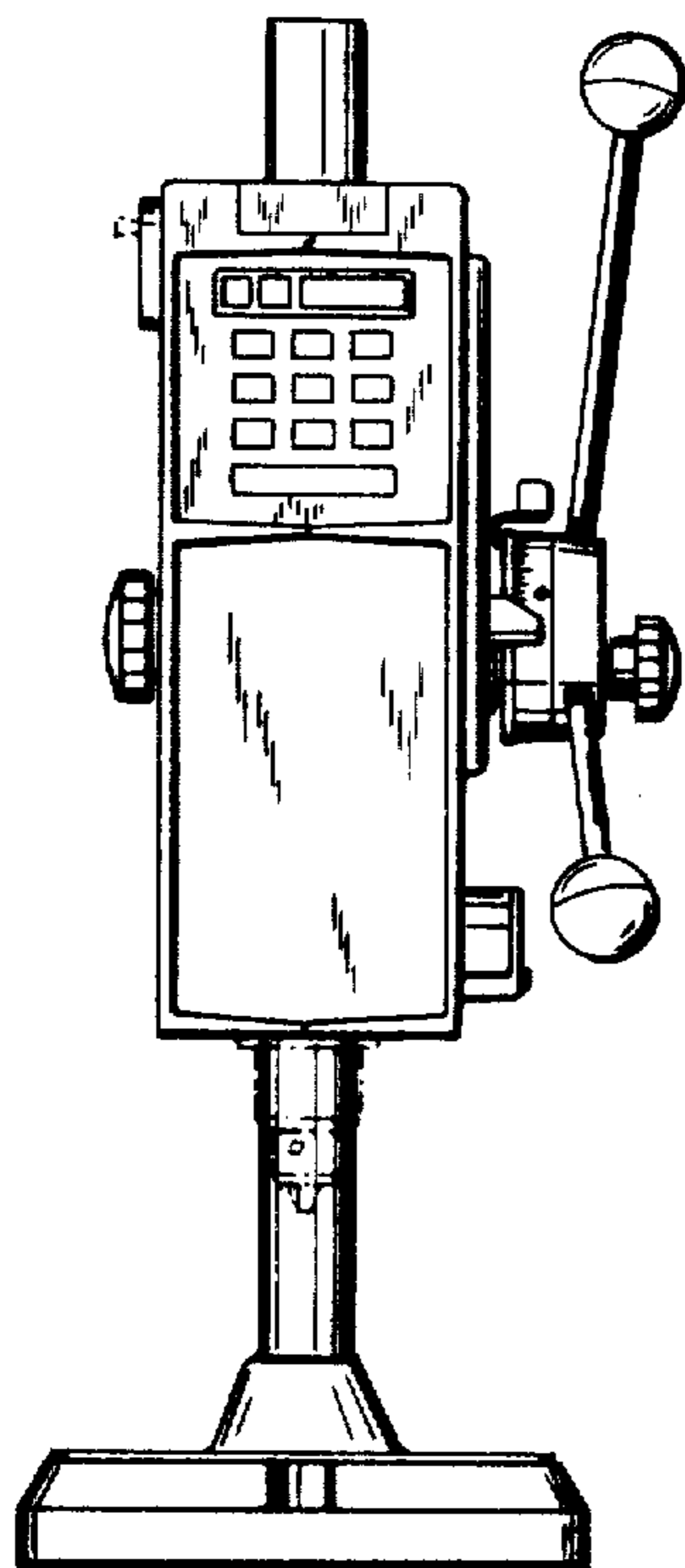


FIG. 1

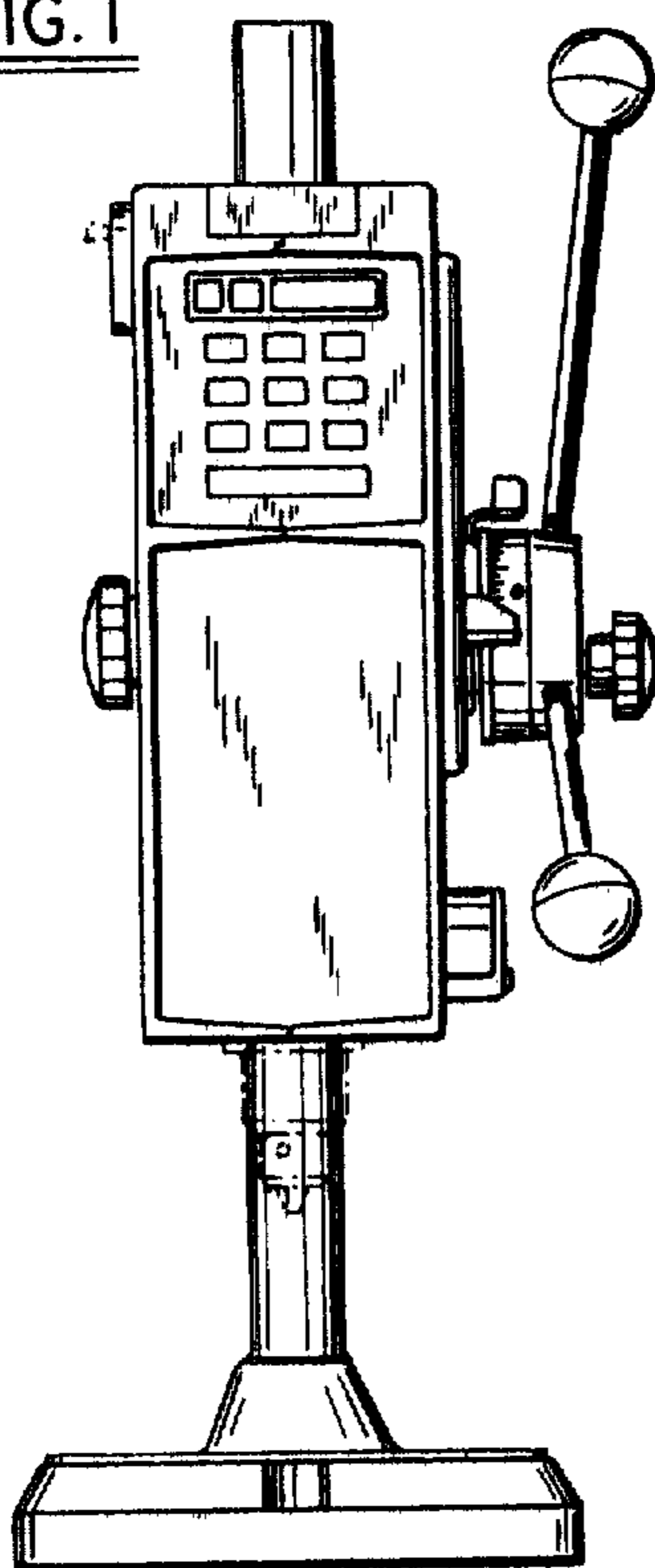


FIG. 2

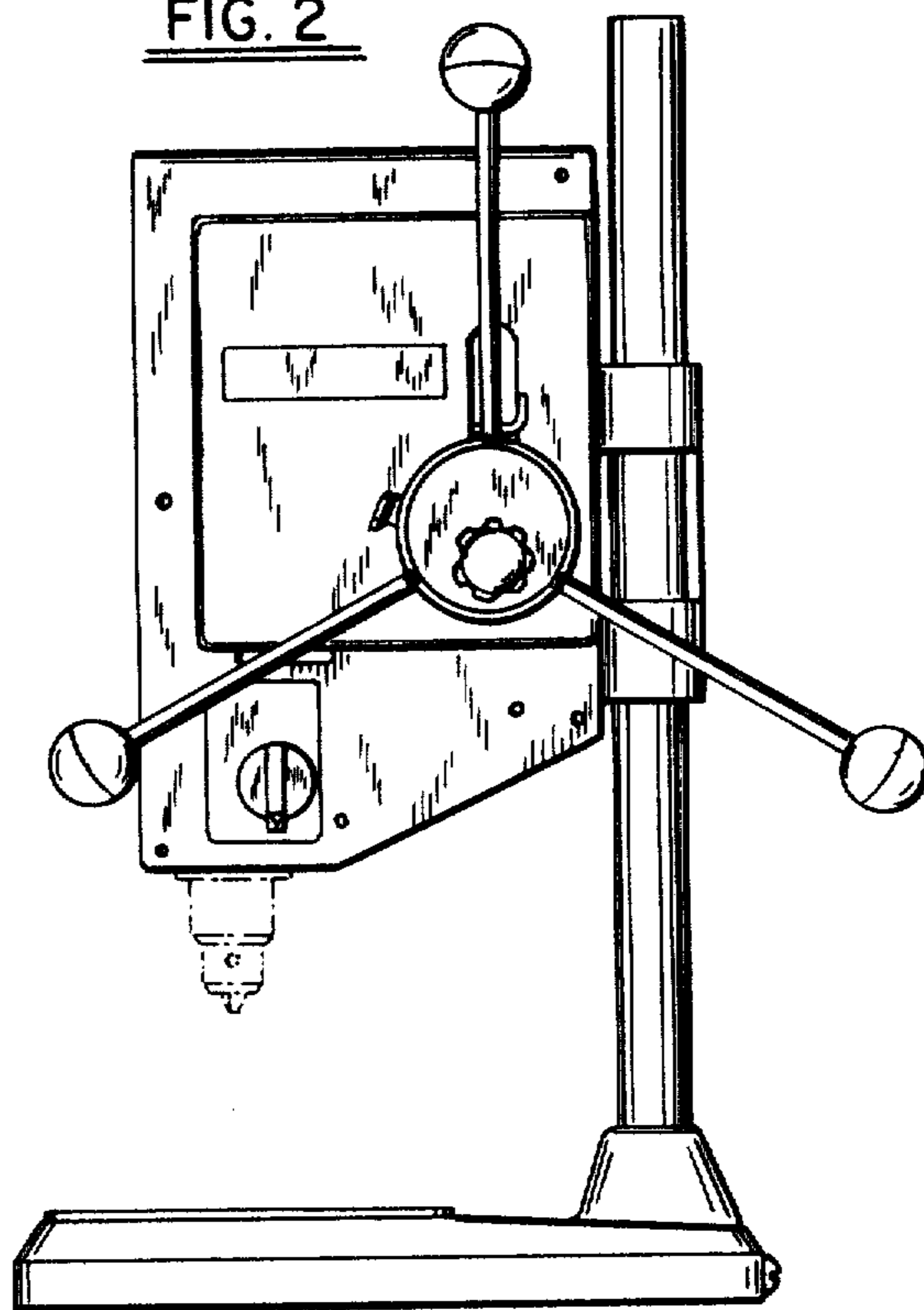


FIG. 3

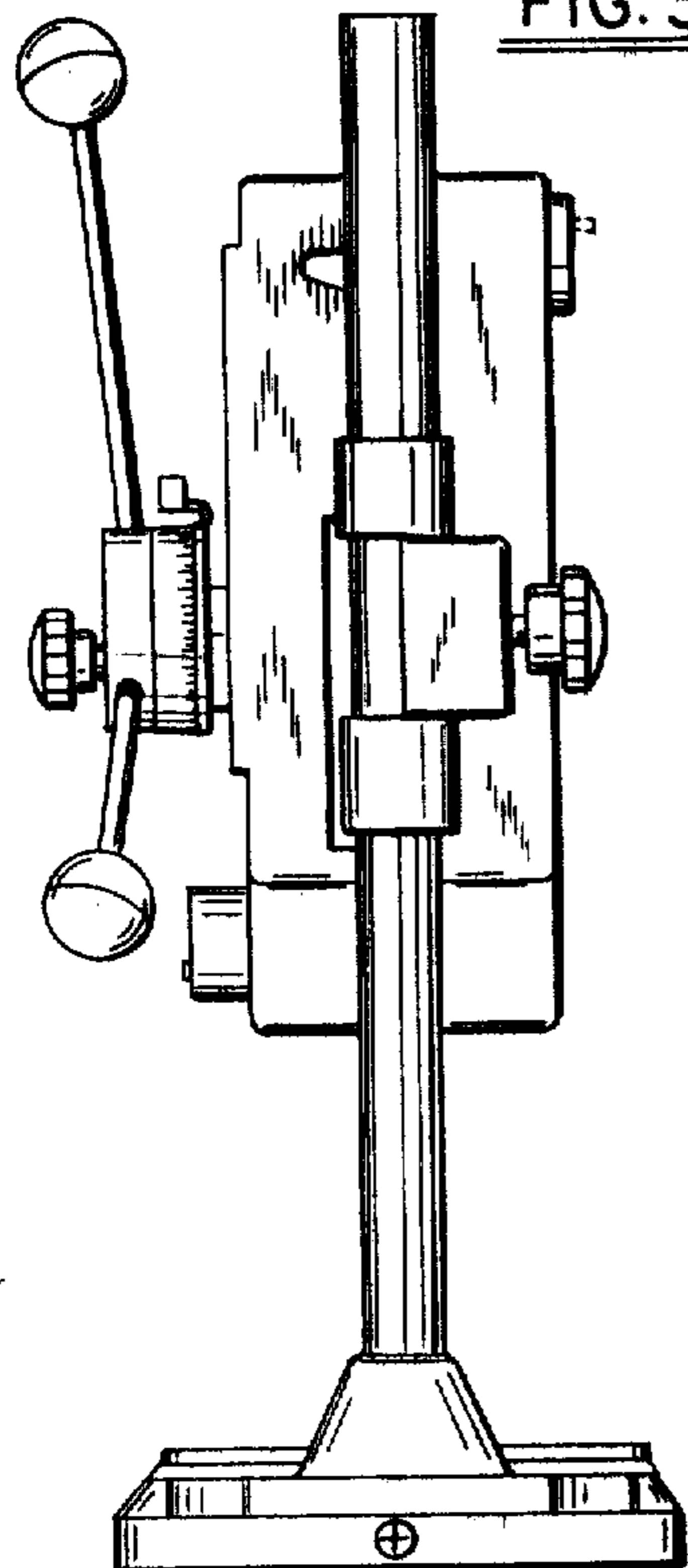


FIG. 4

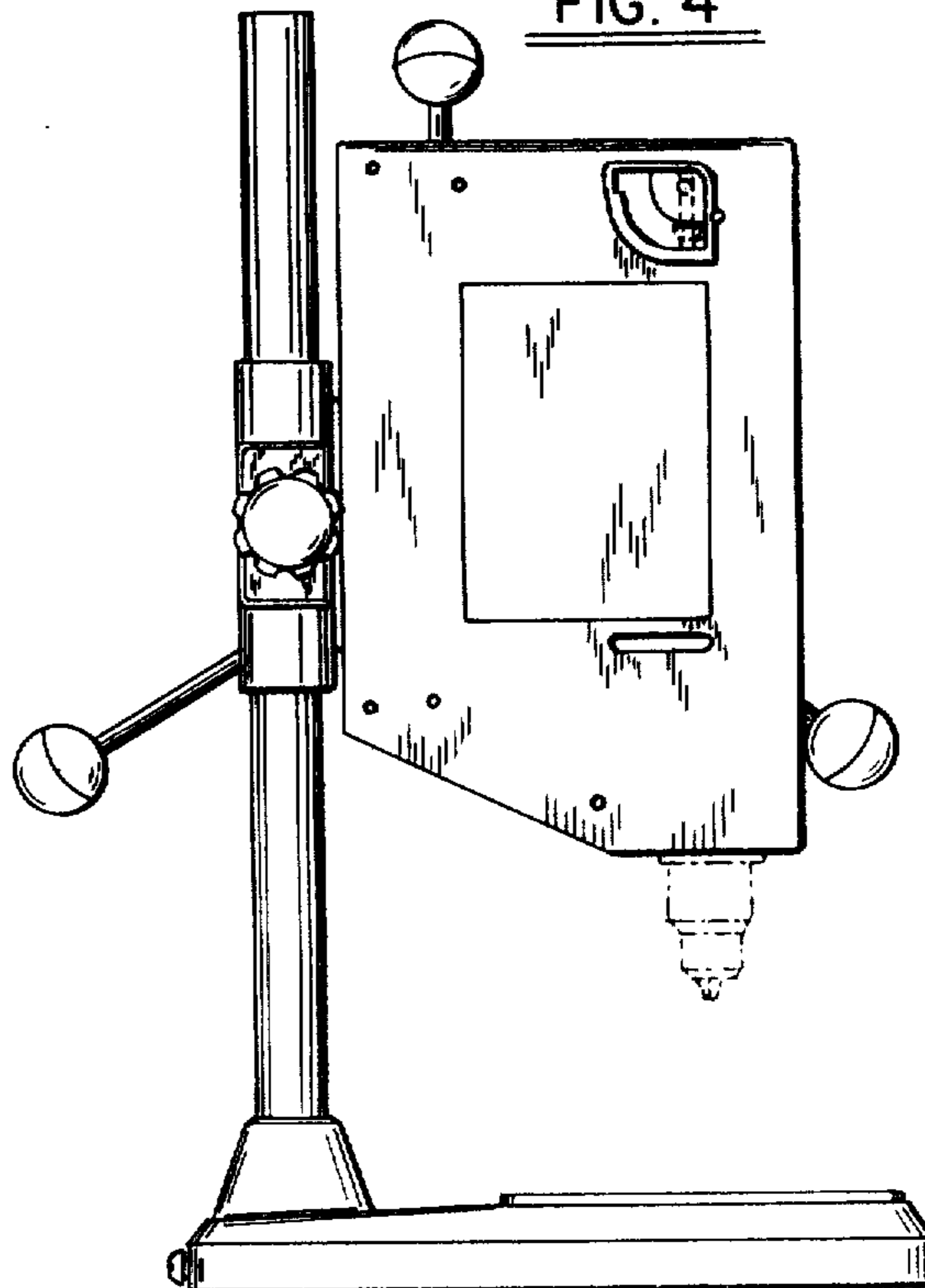


FIG. 5

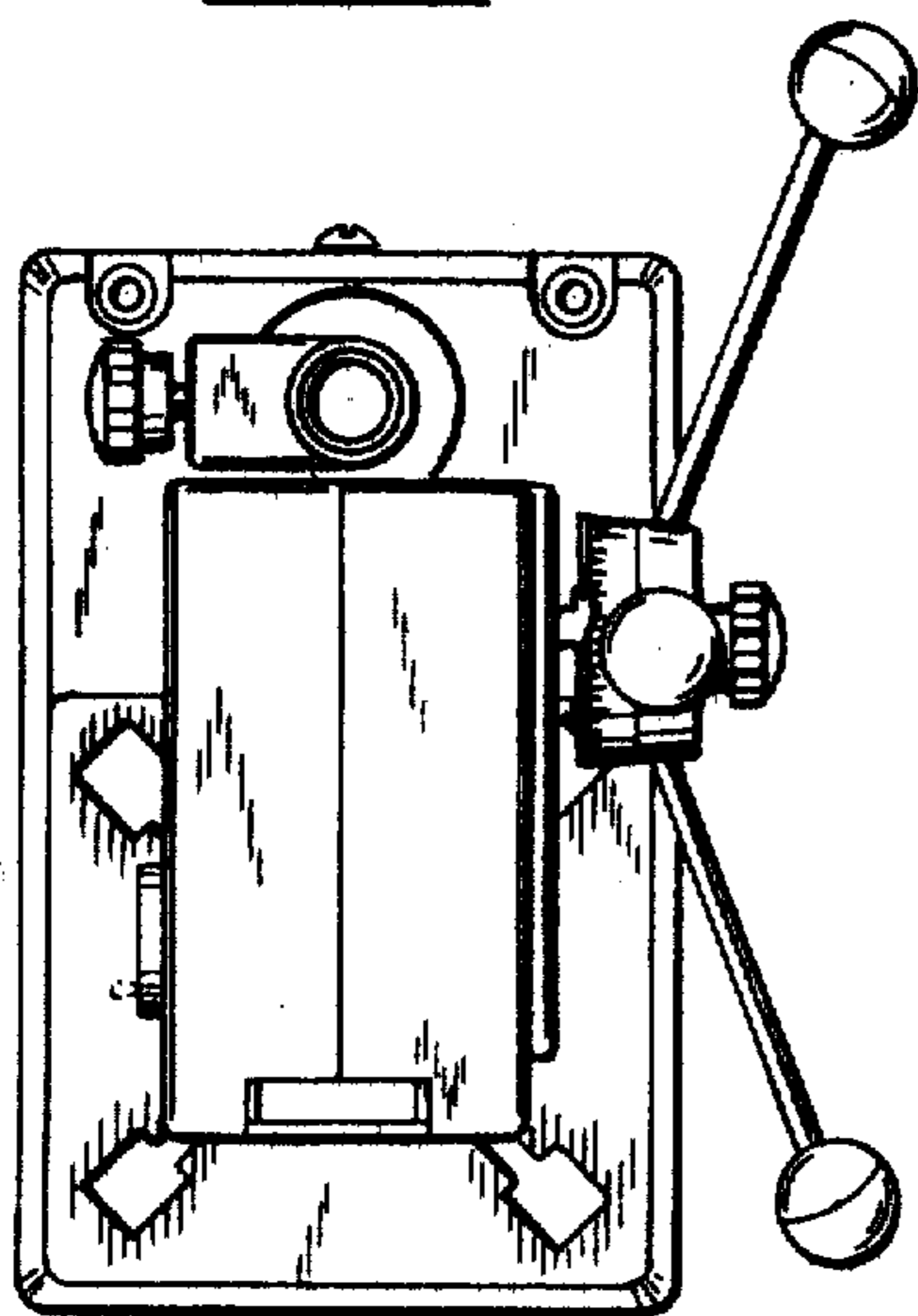


FIG. 6

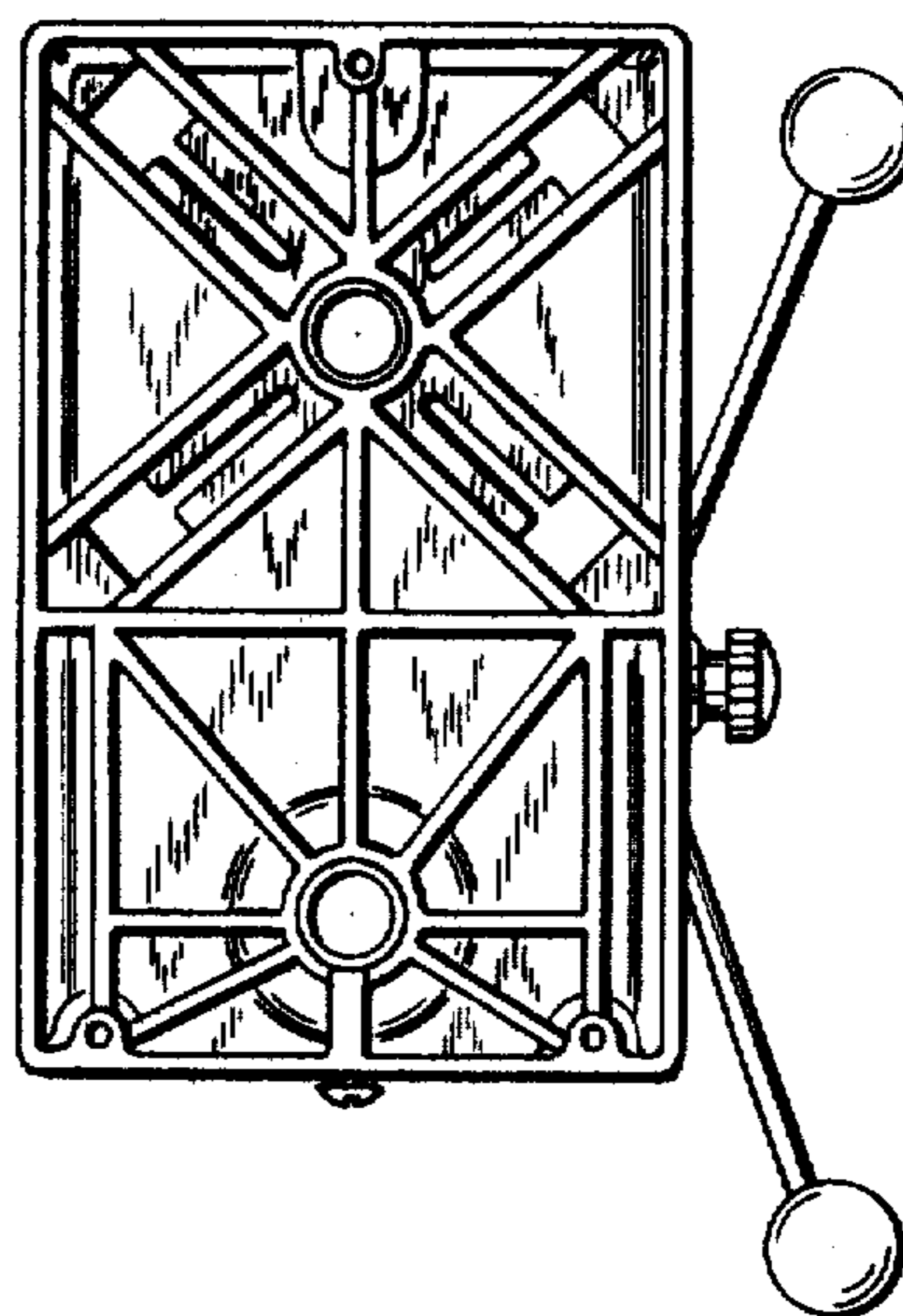


FIG. 7

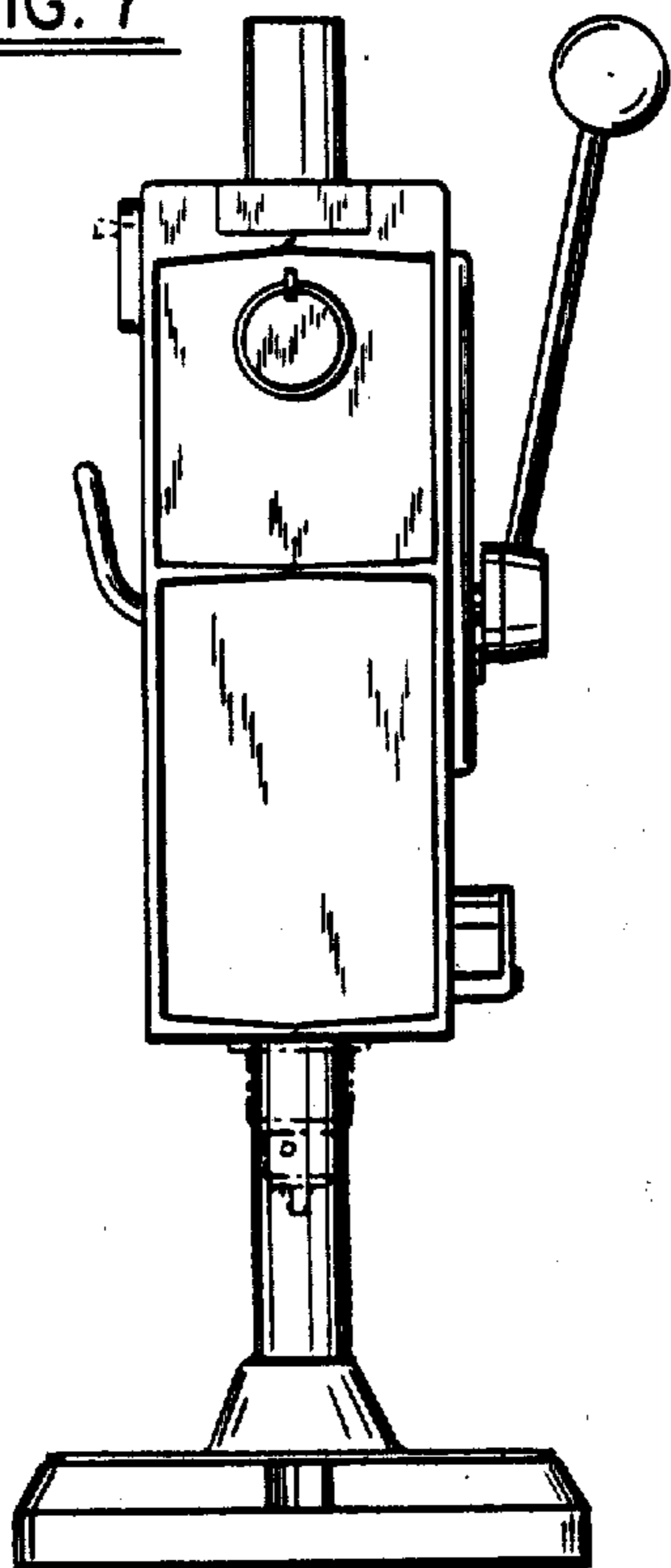


FIG. 8

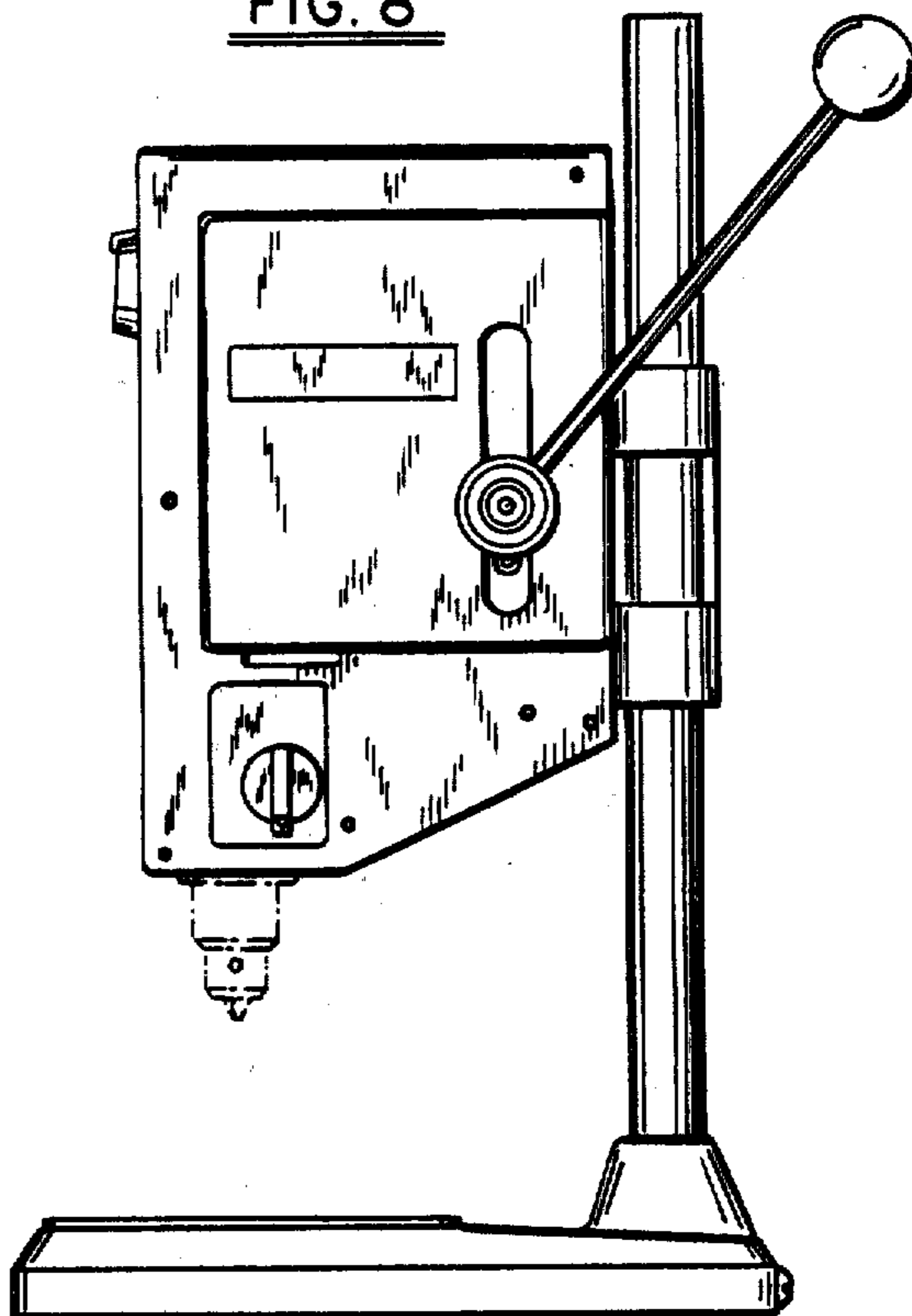


FIG. 9

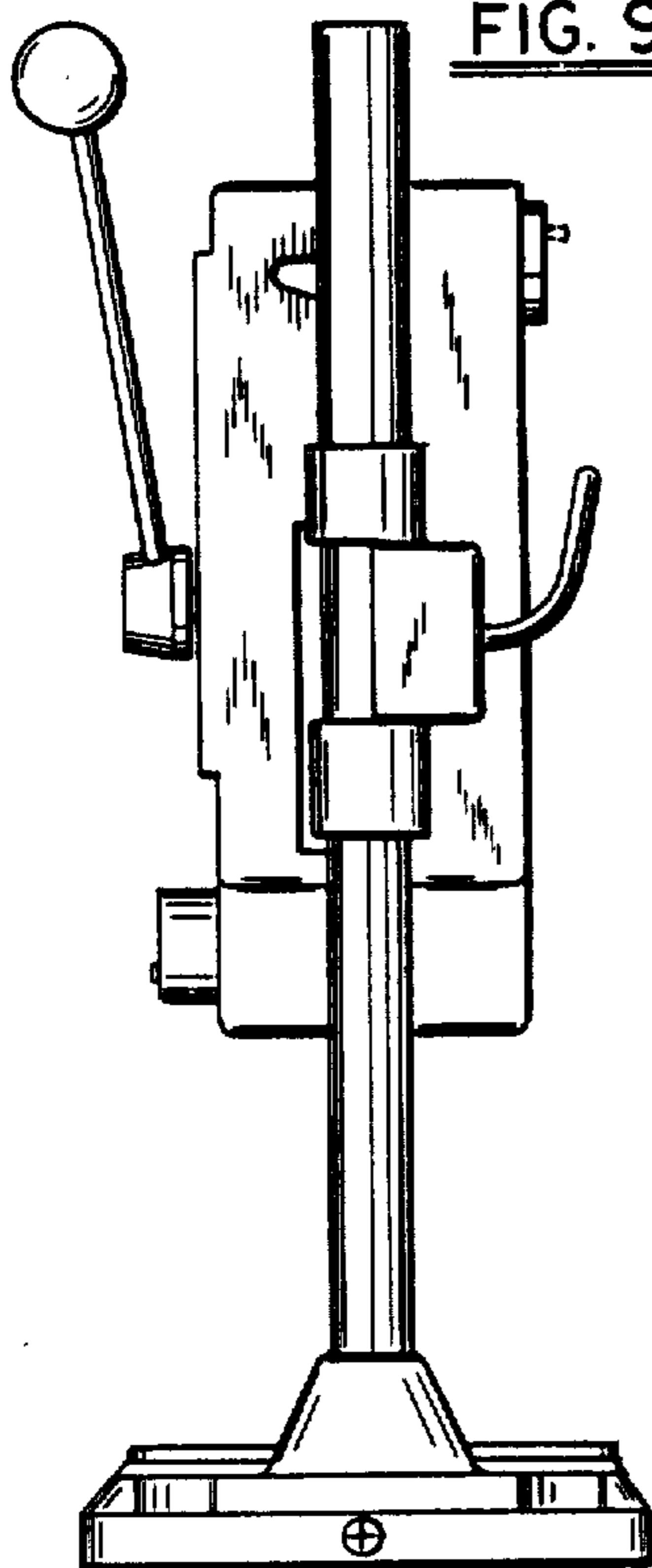


FIG. 10

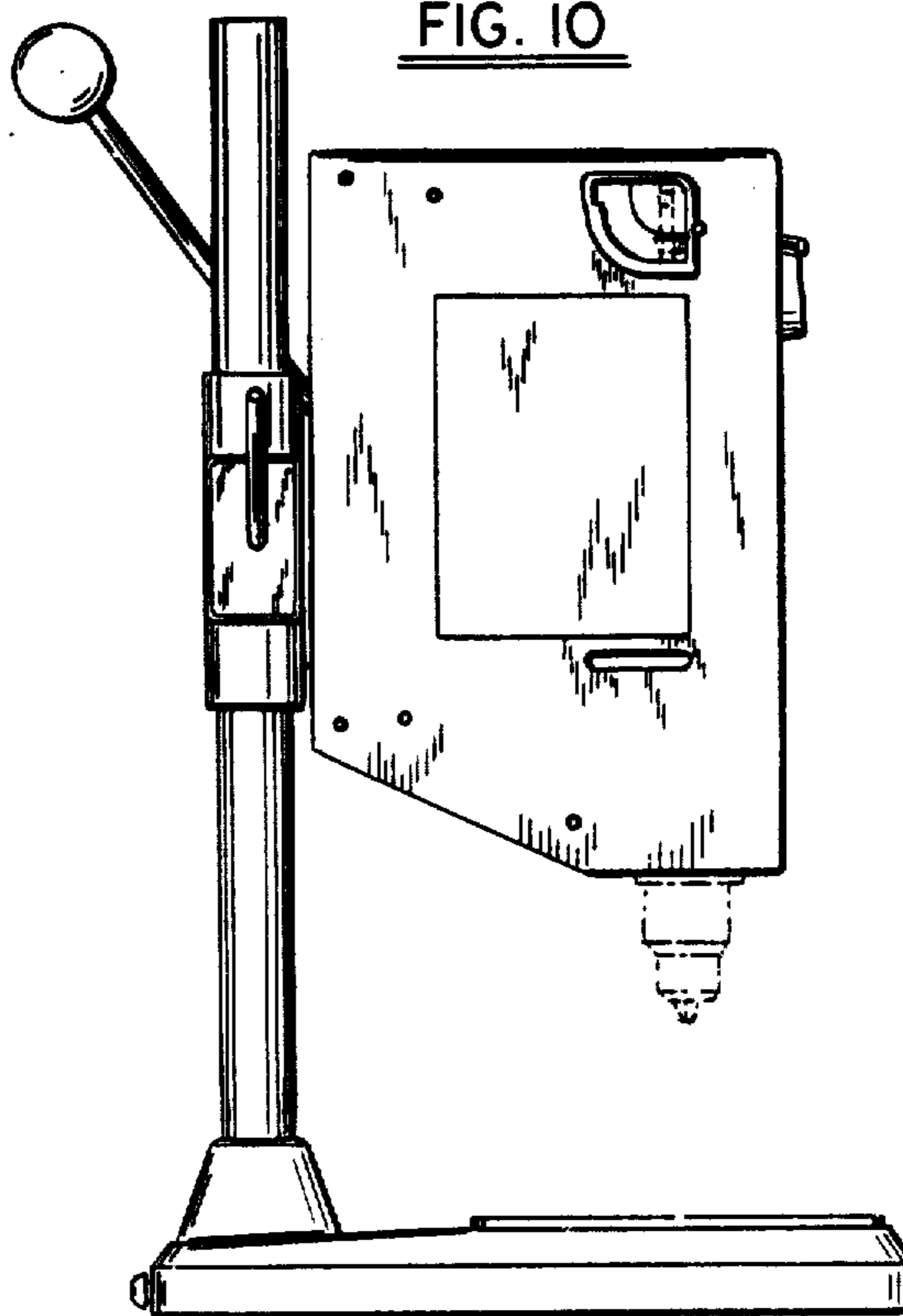


FIG. 11

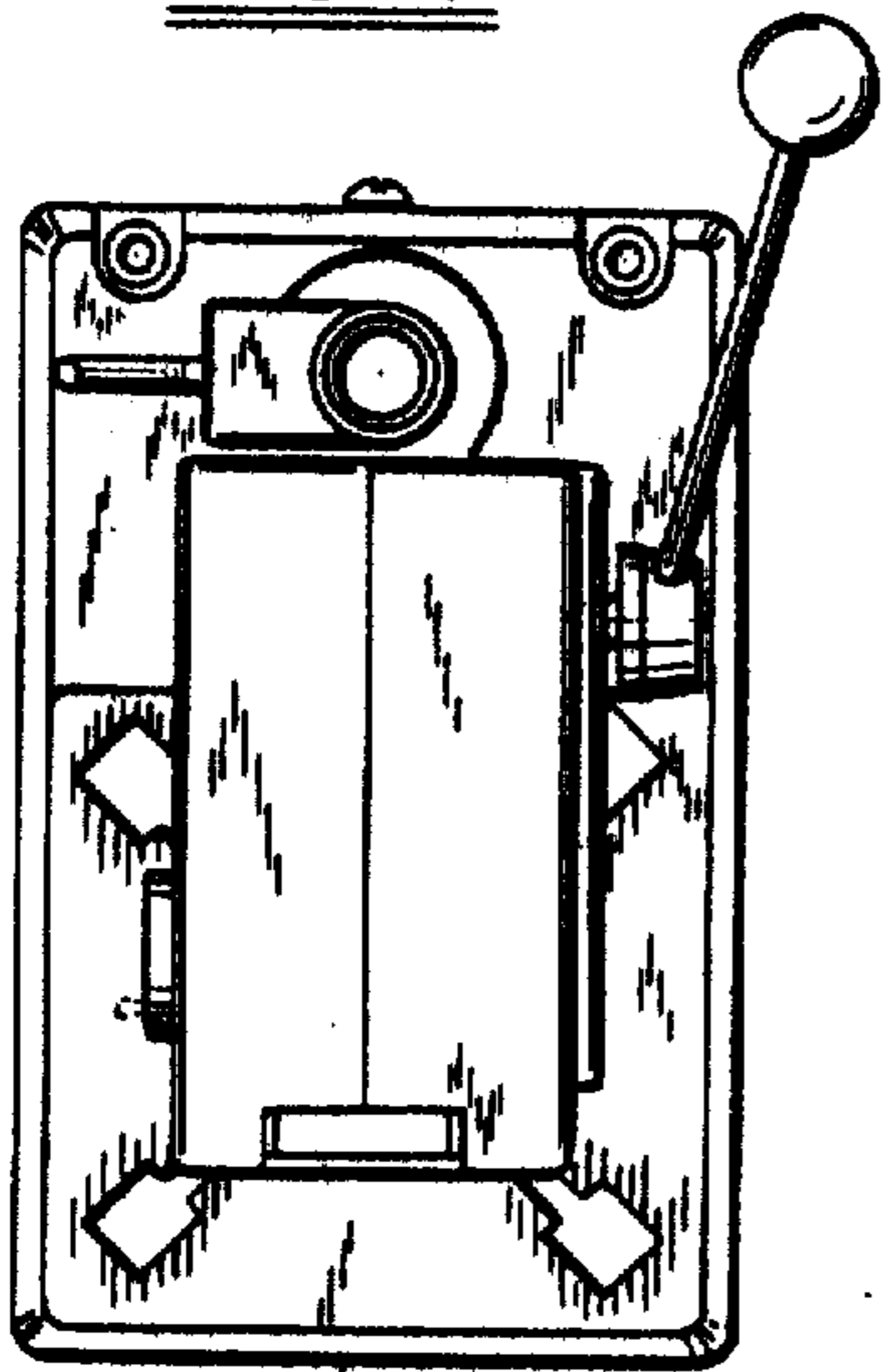


FIG. 12

