

[54] CAB FOR A HARVESTING MACHINE

[75] Inventors: Joseph C. Hurlburt; Constantine J. Kermes, both of Lancaster, Pa.; Charles P. Klasen, Canton, Conn.; Joseph A. Rinaldi, Oradell, N.J.

[73] Assignee: Sperry Corporation, New Holland, Pa.

[**] Term: 14 Years

[21] Appl. No.: 385,732

[22] Filed: Jun. 7, 1982

[52] U.S. Cl. D15/30

[58] Field of Search D15/10-33; 180/69.2, 69.21, 89.1, 89.11, 89.12; 296/102, 190, 192; 239/172

[56] References Cited

U.S. PATENT DOCUMENTS

D. 239,965	5/1976	Kermes et al.	D15/30
D. 259,045	4/1981	Mende	D15/30
D. 267,647	1/1983	Baconet et al.	D15/30
3,278,222	10/1966	Mullet et al.	296/190
3,388,944	6/1968	Crehore	296/190
3,933,216	1/1976	Irwin	180/69.21

OTHER PUBLICATIONS

John Deere; Company Grain and Sorghum Combines

and Grain Windrowers Brochure, 1980-p. 1-Combine on page.

White 8900 Combine, White Motor Corp., p. 1, 1/1980, Combine-note Cab.

Hesston; Model 6650, 6550, 6450, Windrower Brochure/1979, p. 2-all three Combines in middle of page.

Primary Examiner—Bernard Ansher

Assistant Examiner—Suzanne N. Gitlin

Attorney, Agent, or Firm—Larry W. Miller; Darrell F. Marquette; Frank A. Seemar

[57] CLAIM

The ornamental design for a cab for a harvesting machine, as shown.

DESCRIPTION

FIG. 1 is a front elevational view of a cab for a harvesting machine showing our new design;

FIG. 2 is a rear elevational view thereof;

FIG. 3 is a side elevational view taken from the left of FIG. 1;

FIG. 4 is a side elevational view taken from the right of FIG. 1;

FIG. 5 is a top plan view as seen in the direction of line 5-5 of FIG. 4;

FIG. 6 is a cross-sectional view taken along line 6-6 in FIG. 4;

FIG. 7 is a right front perspective view thereof; and

FIG. 8 is a left rear perspective view thereof.

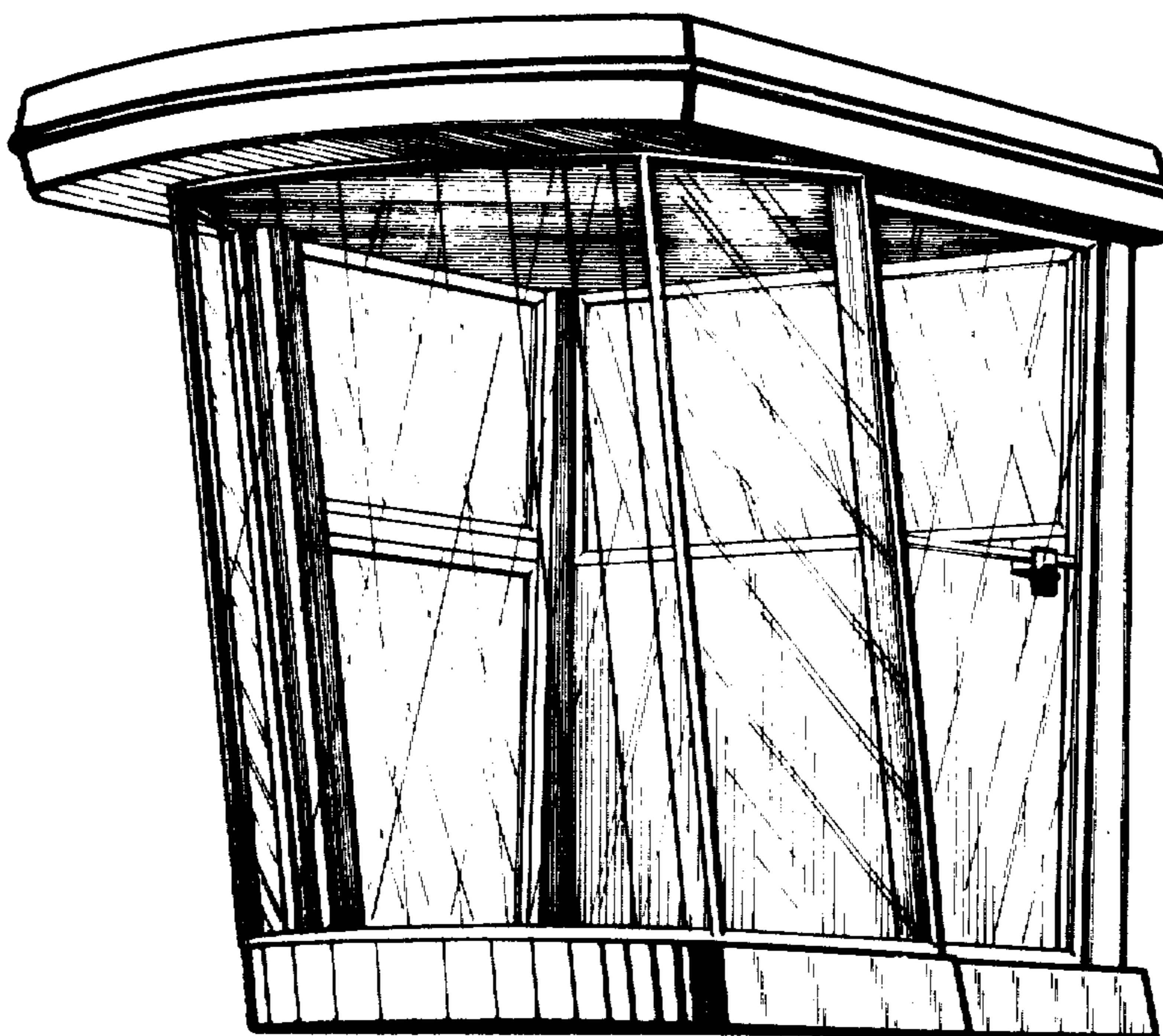


Fig. 2

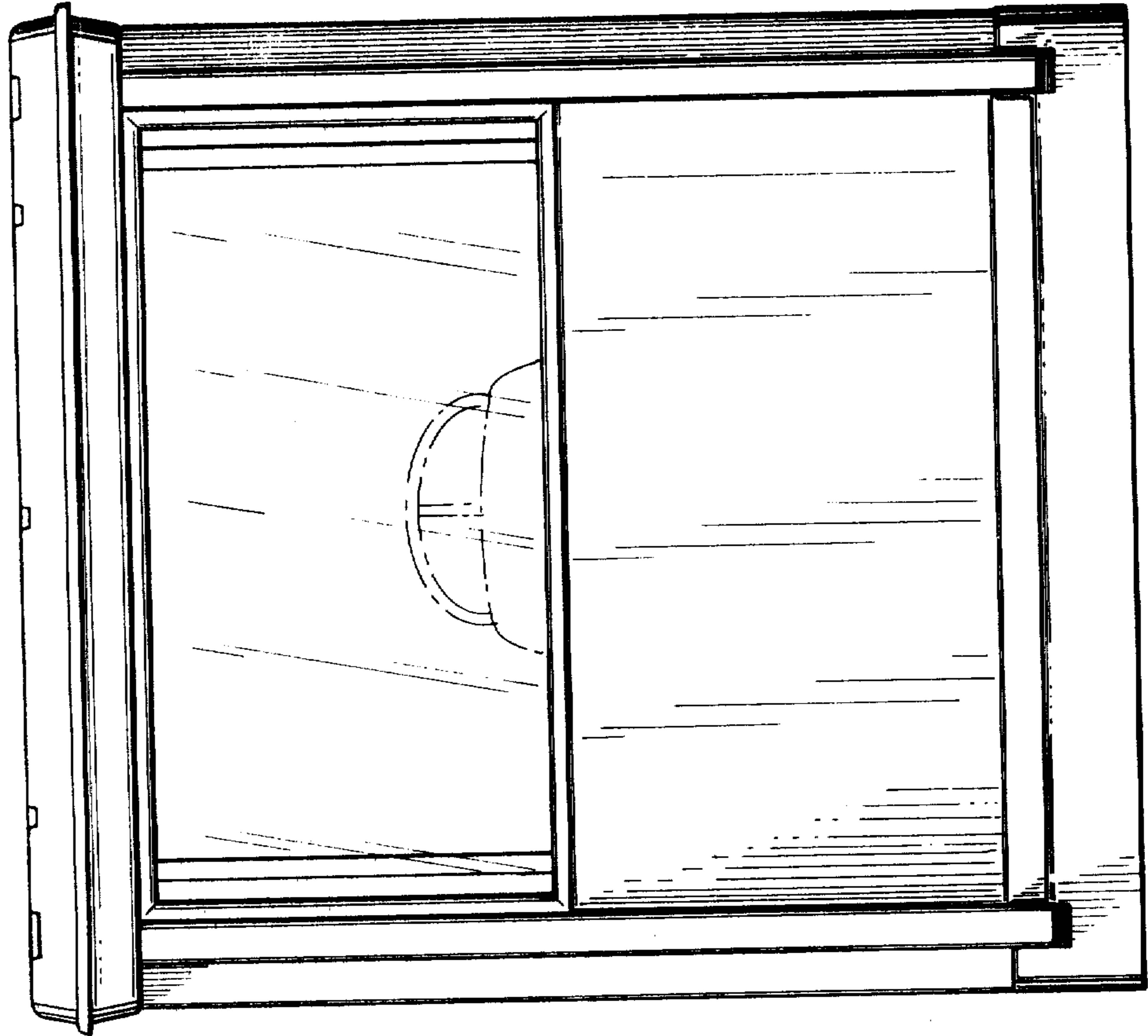
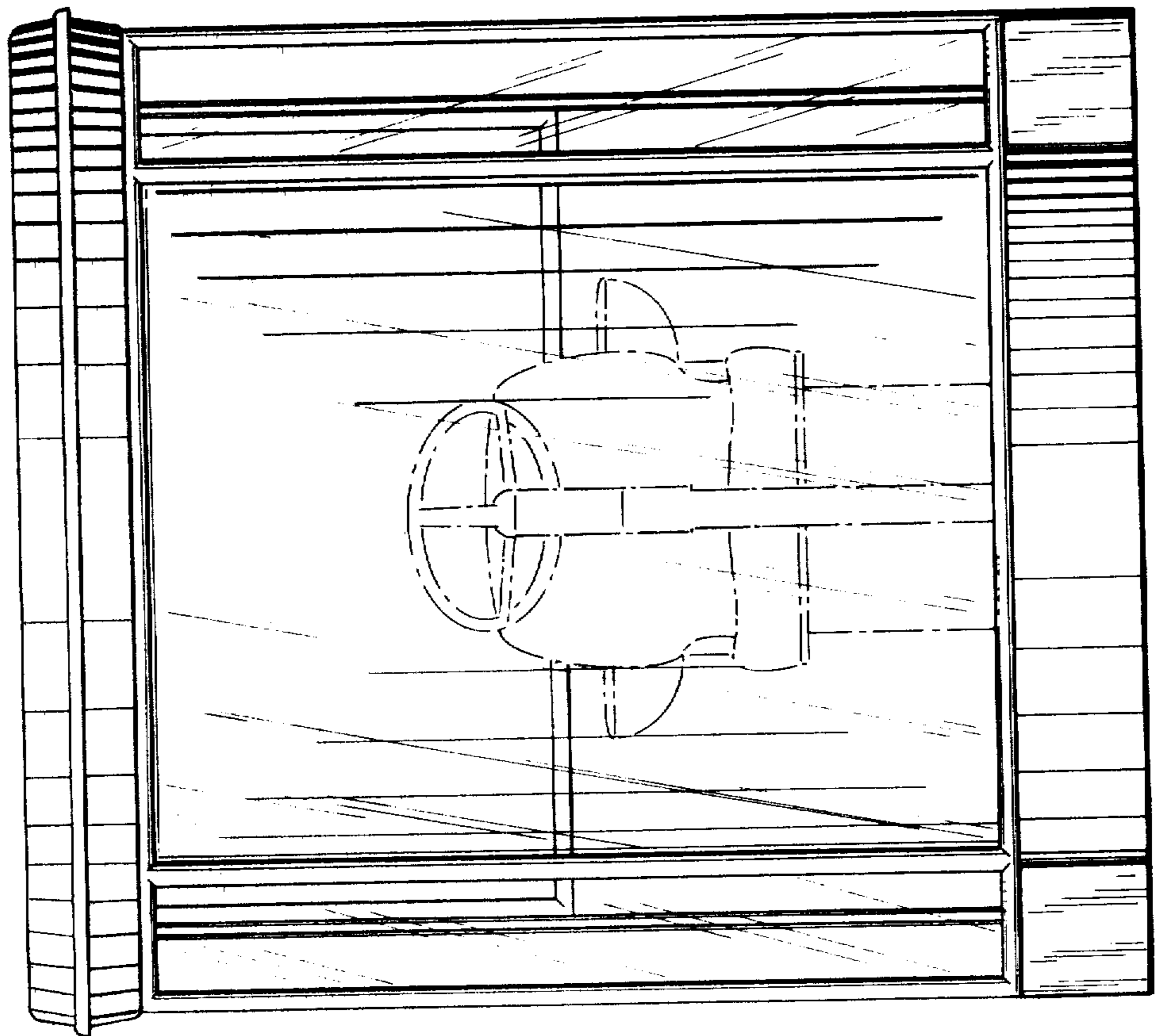


Fig. 1



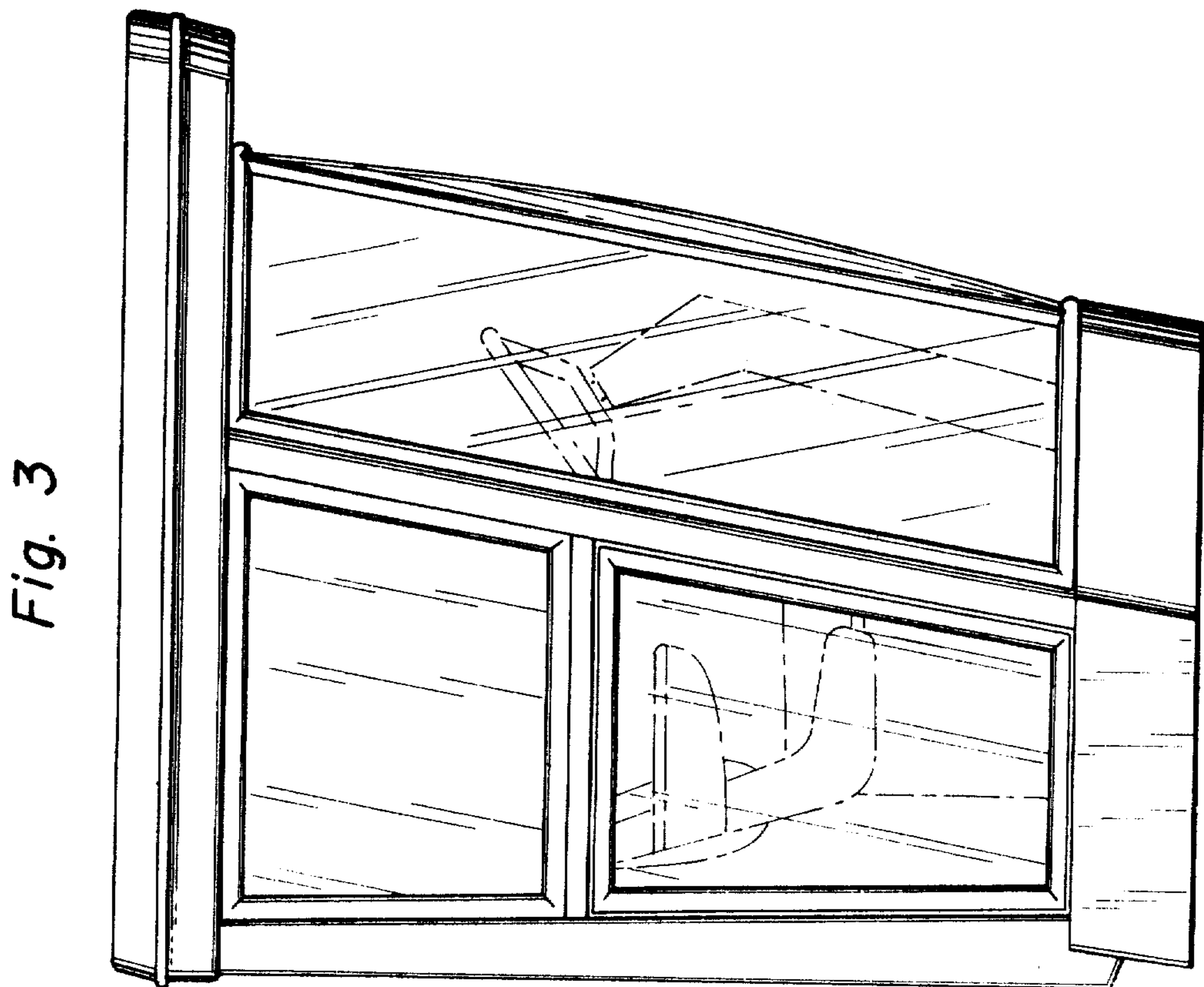
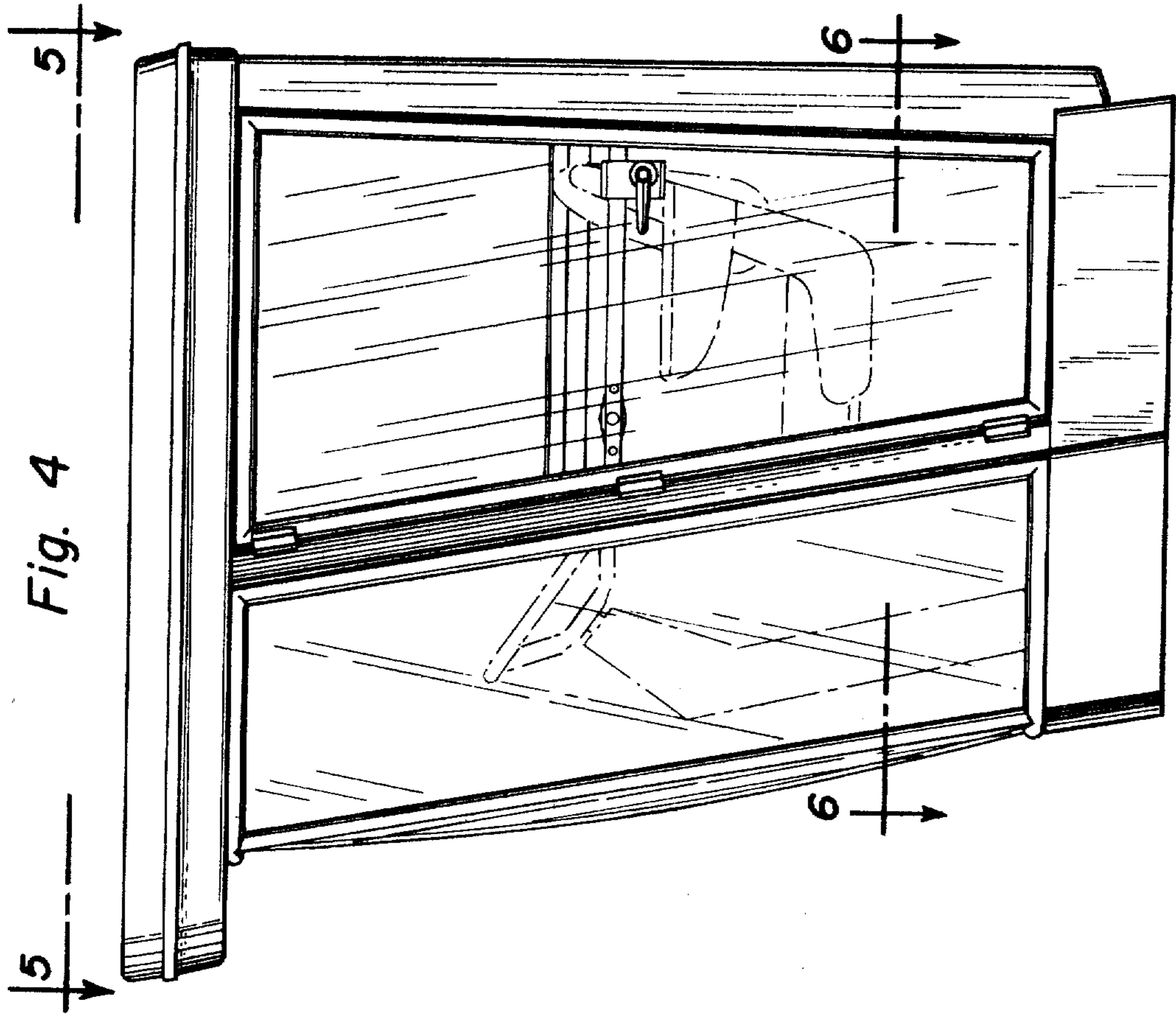


Fig. 6

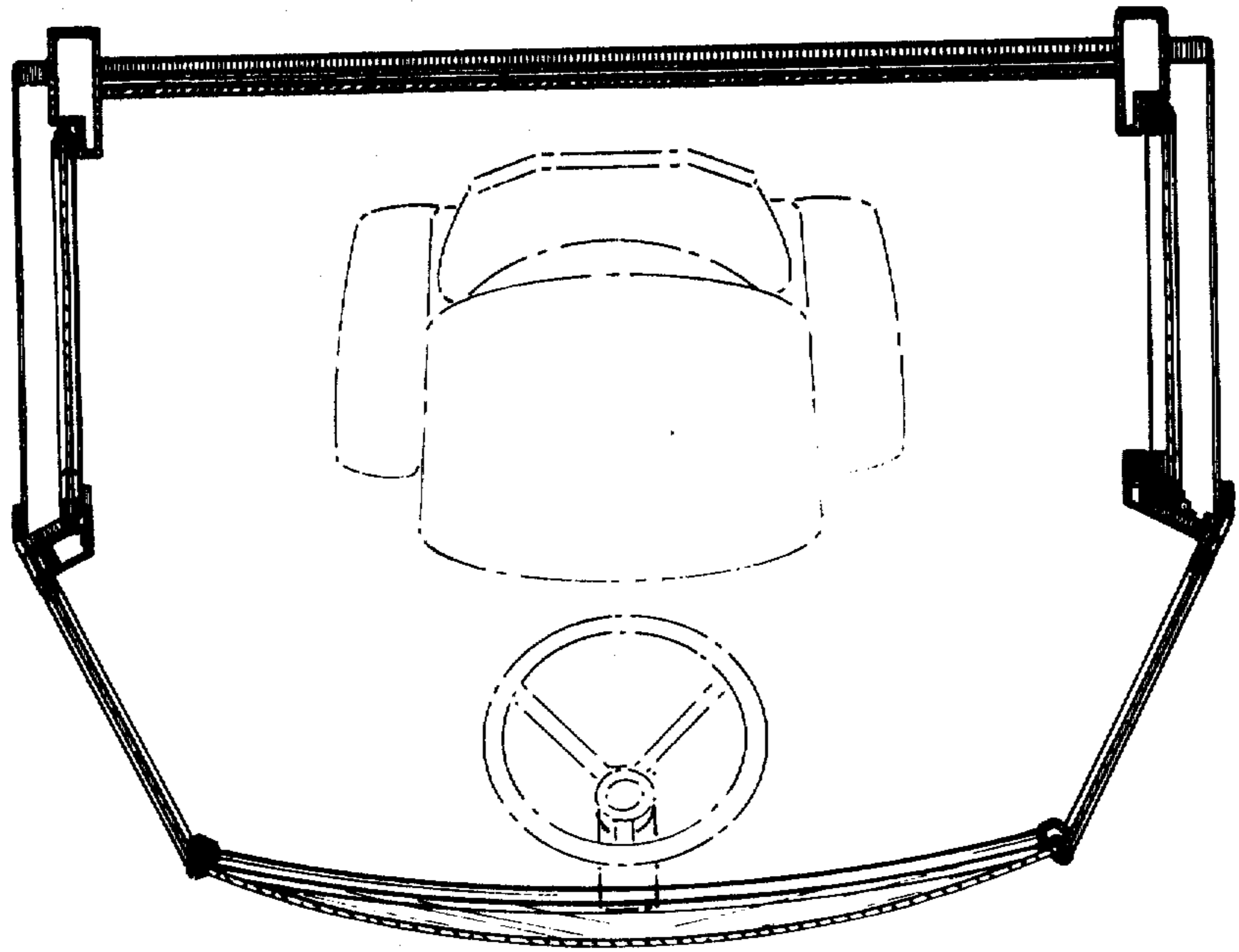
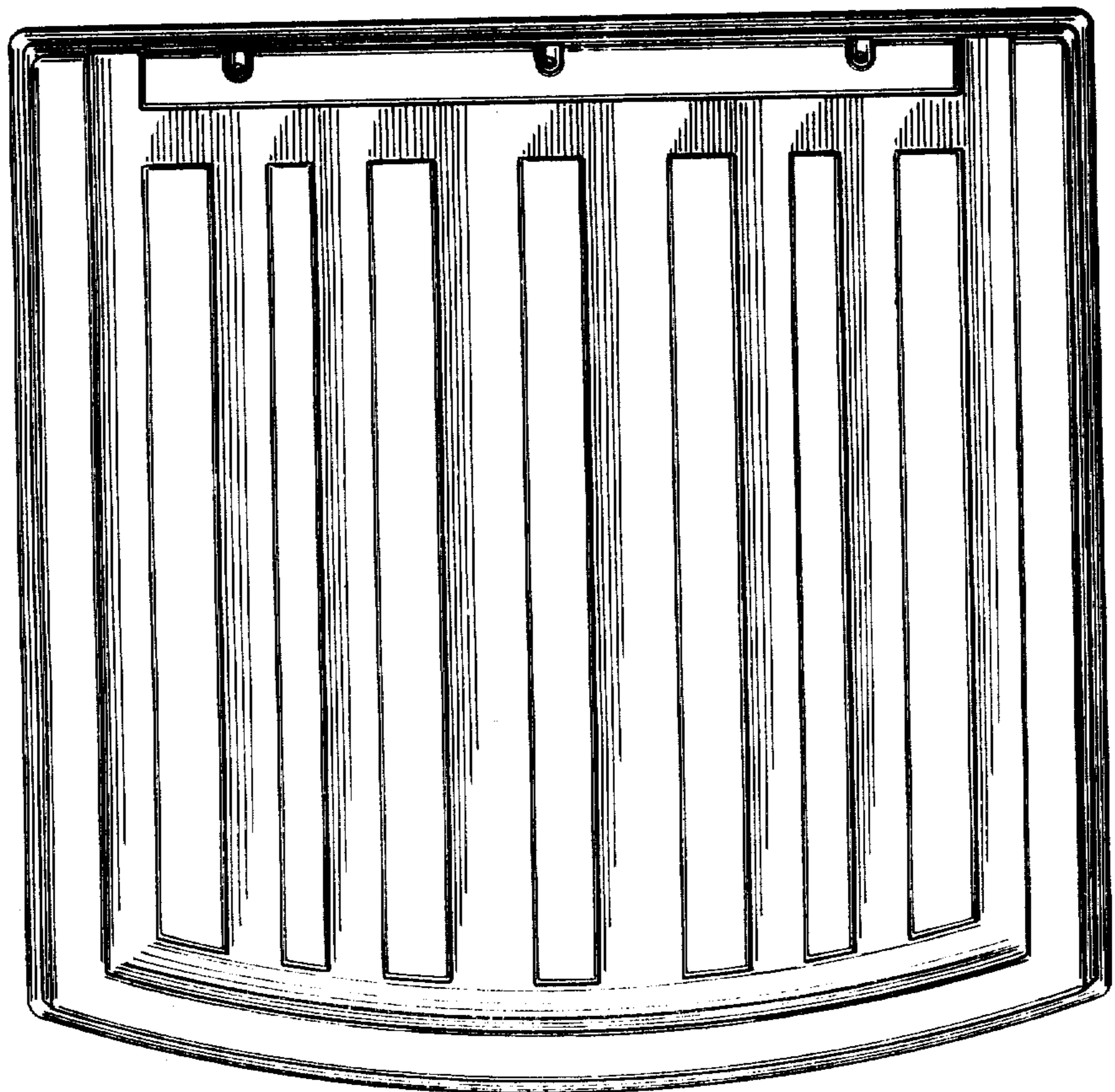


Fig. 5



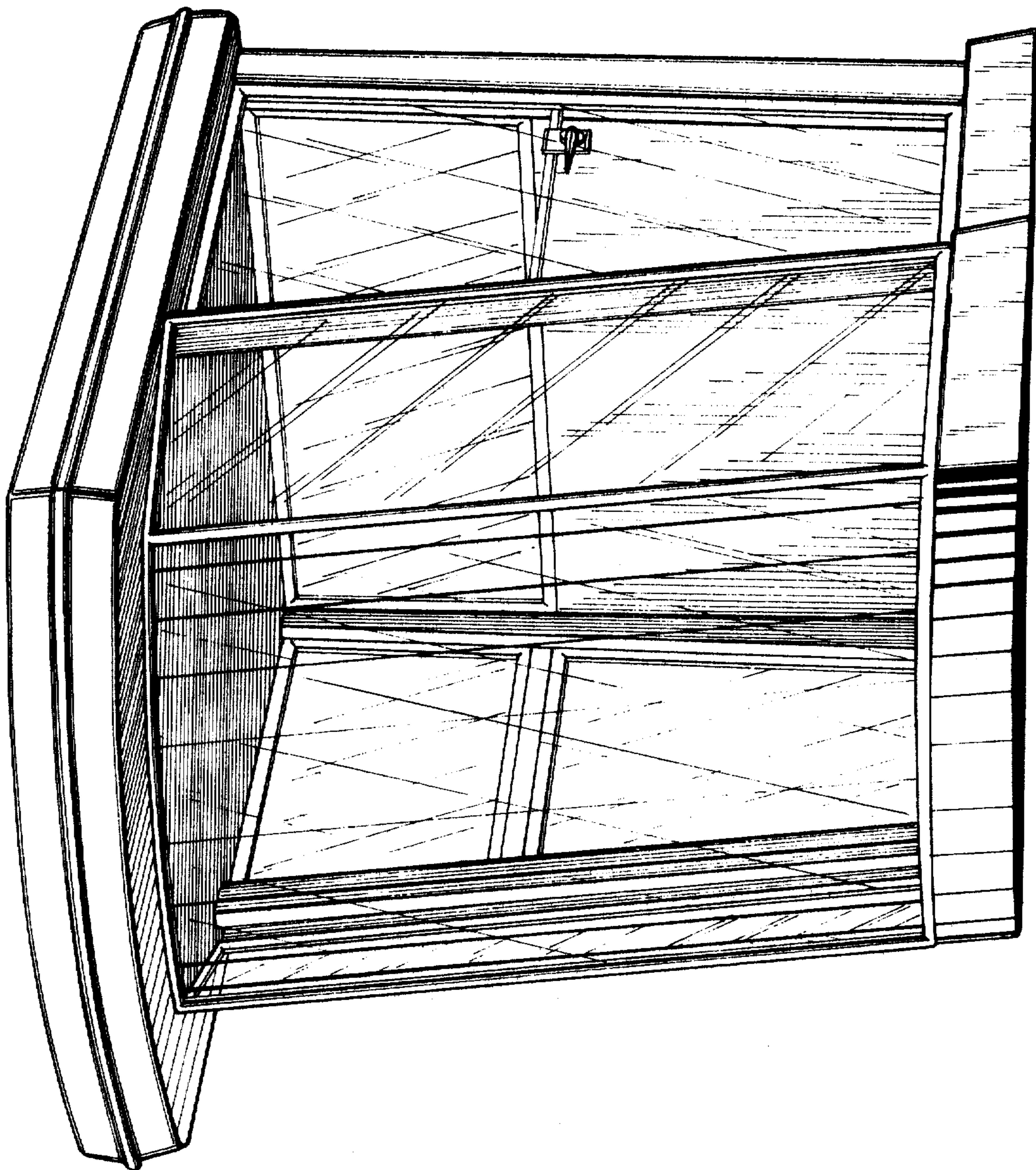


Fig. 7

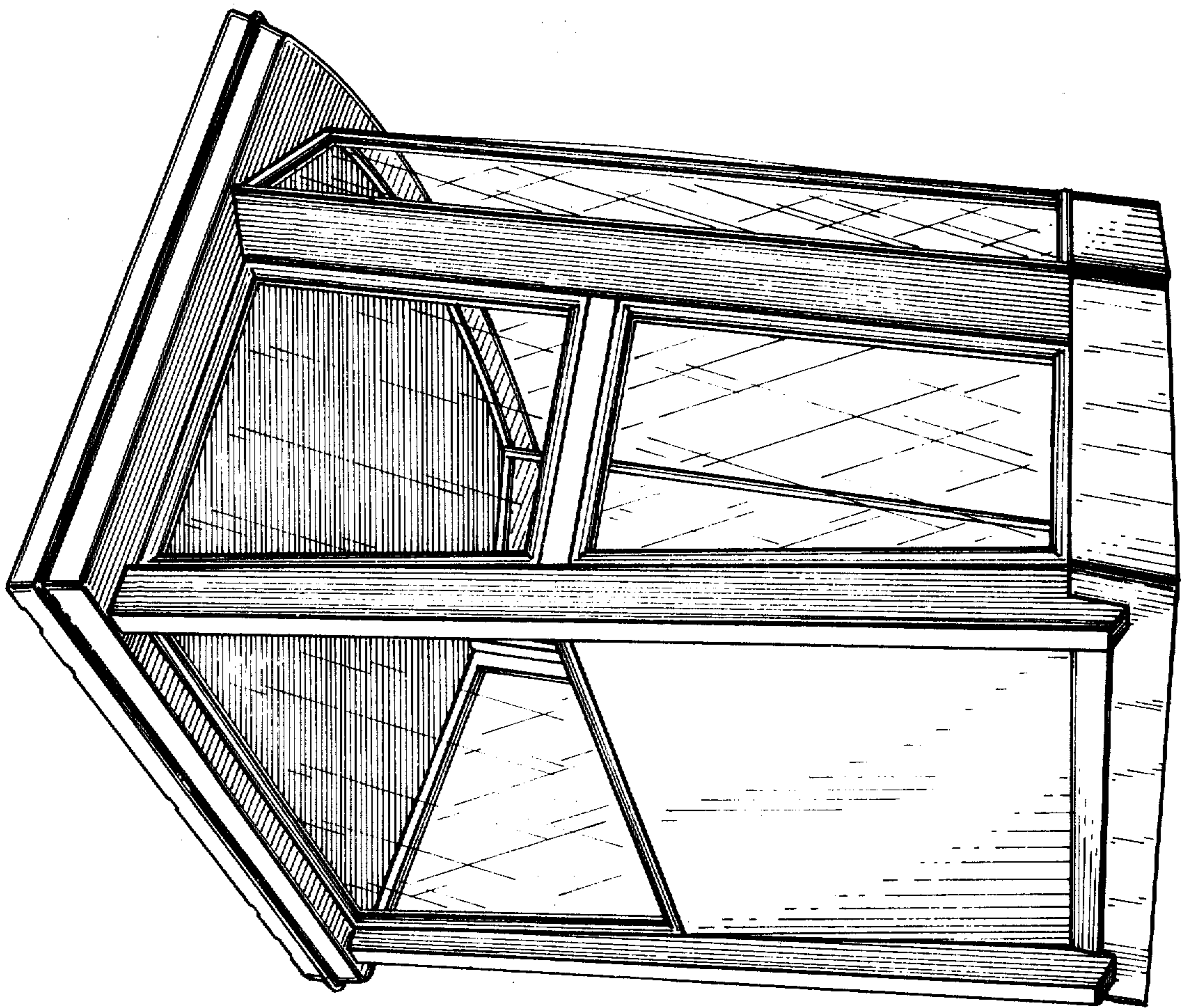


Fig. 8