

[54] **EARRING**

[76] Inventor: **Glenn Goldstein, 5 Parkside Dr., North Brunswick, N.J. 08902**

[\*\*] Term: **14 Years**

[21] Appl. No.: **391,137**

[22] Filed: **Jun. 23, 1982**

[52] U.S. Cl. .... **D11/75; D11/86; D11/91**

[58] Field of Search ..... **D11/36, 40, 91, 92, D11/86-88, 75; 63/12, 26, 27, 29 R, 30**

[56] **References Cited**

**U.S. PATENT DOCUMENTS**

- D. 80,898 4/1930 Kaufman ..... D11/36 X
- D. 171,869 3/1954 Sorrentino ..... D11/36 X
- 1,941,782 1/1934 Bager ..... 63/26 X

**OTHER PUBLICATIONS**

*Jewelers' Circular-Keystone Directory*, 6/21/78, p. 592--  
Earrings, Posts & Clutches at bottom center.

*European Jeweler*, 2/80, p. 181--Settings at top left.

*Primary Examiner*—Louis S. Zarfes  
*Attorney, Agent, or Firm*—Ronald G. Goebel

[57] **CLAIM**

The ornamental design for an earring, as shown and described.

**DESCRIPTION**

FIG. 1 is a front perspective view of an earring showing my new design.

FIG. 2 is a left side view of the earring of my design, the right side view being a mirror image of the left side view.

FIG. 3 is a top view of the earring of my design, the bottom view being a mirror image of the top view.

FIG. 4 is a front elevational view of the earring of my design.

FIG. 5 is a rear elevational view of the earring of my design.

FIG. 6 is a rear elevational view of the earring of my design without the clasp.

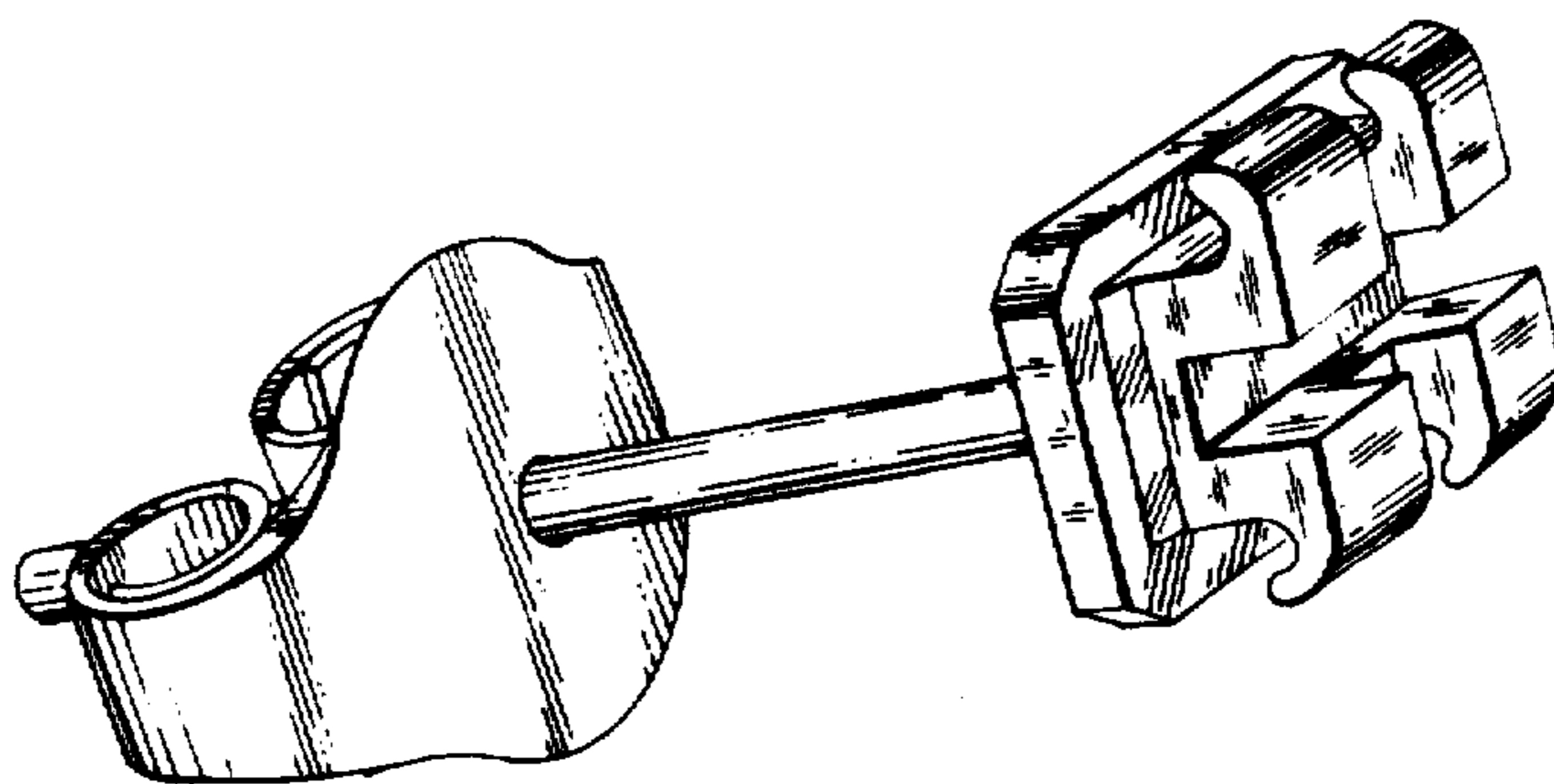


FIG. 1

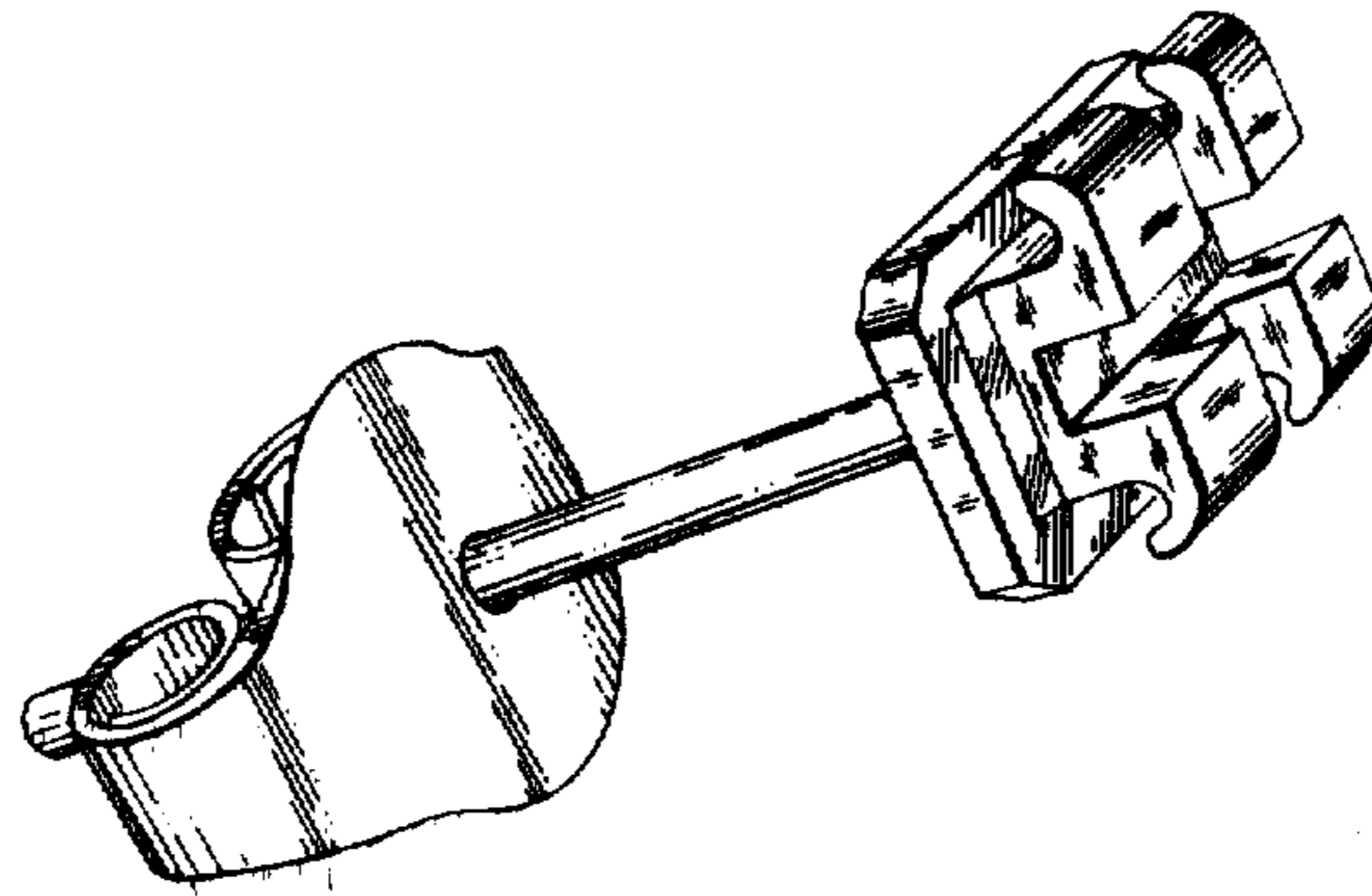


FIG. 2

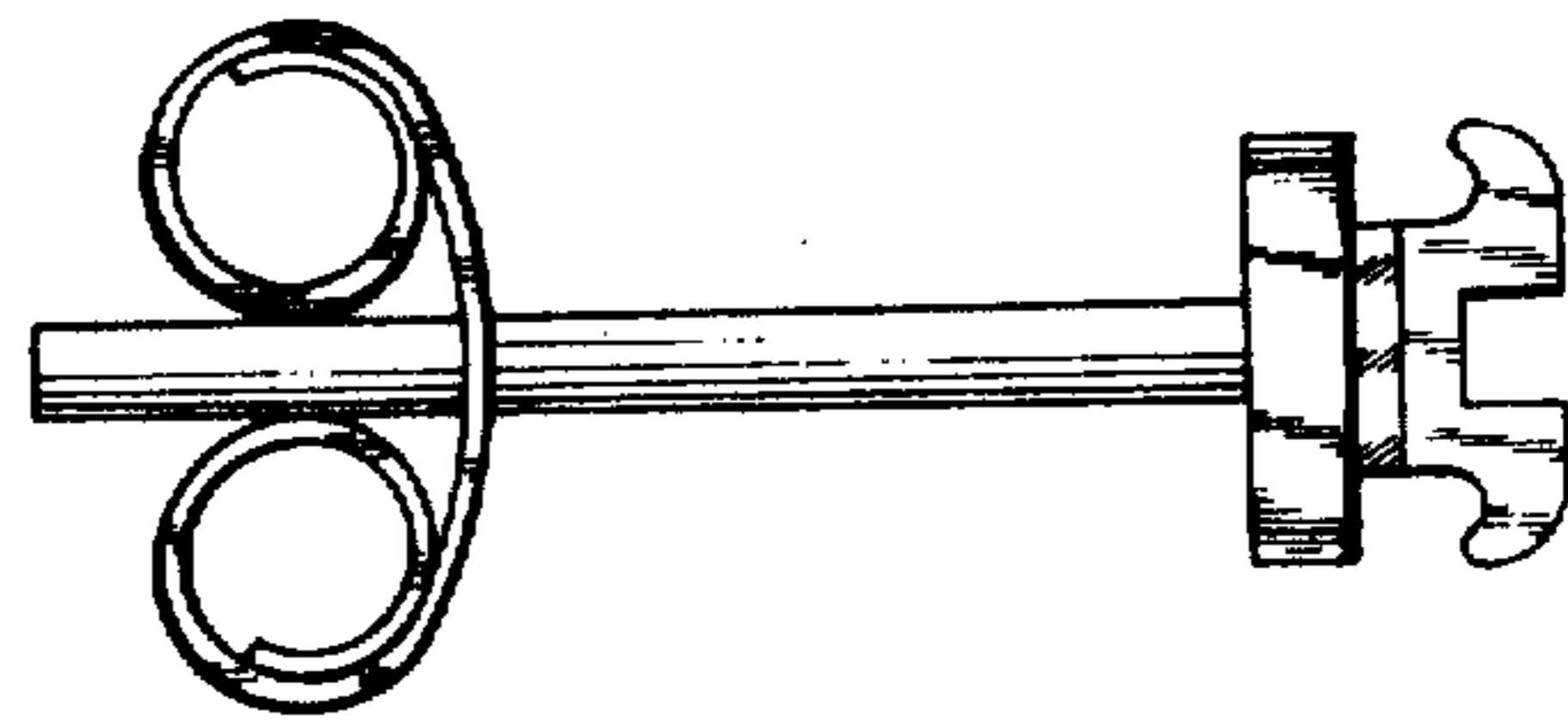


FIG. 3

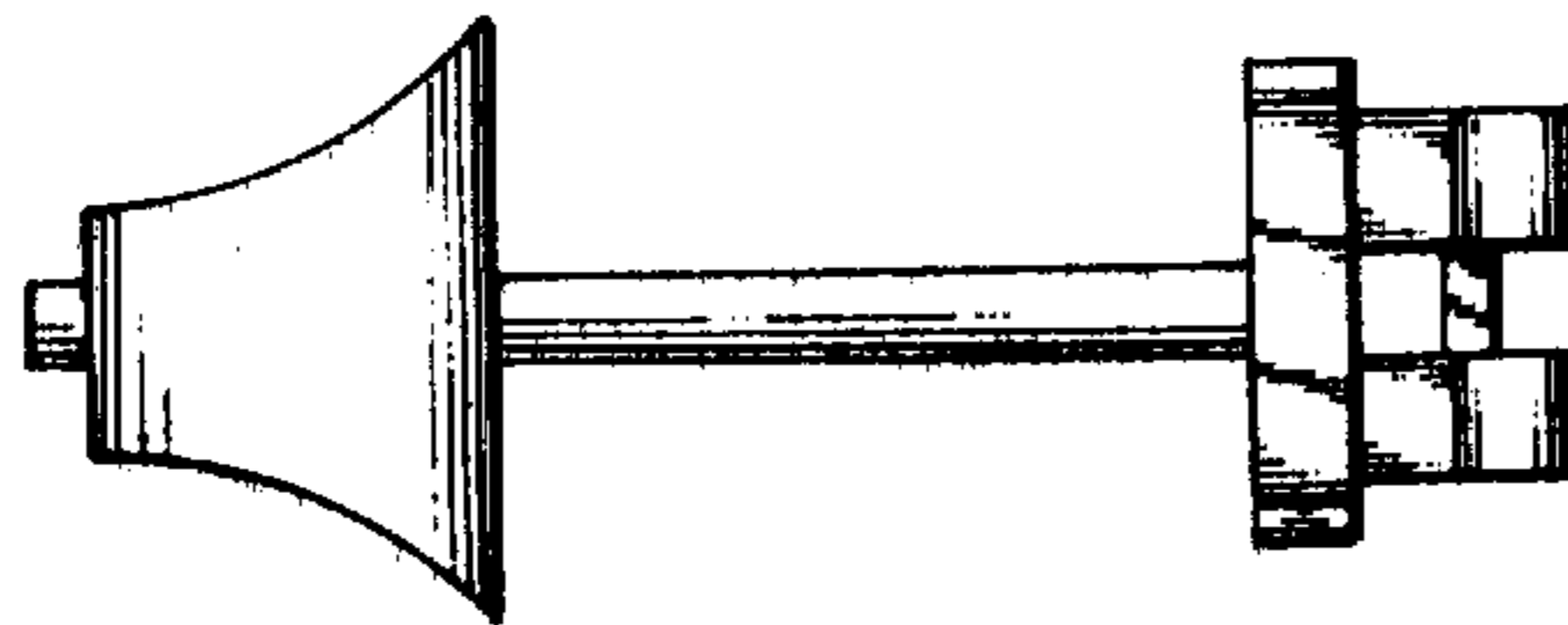


FIG. 4

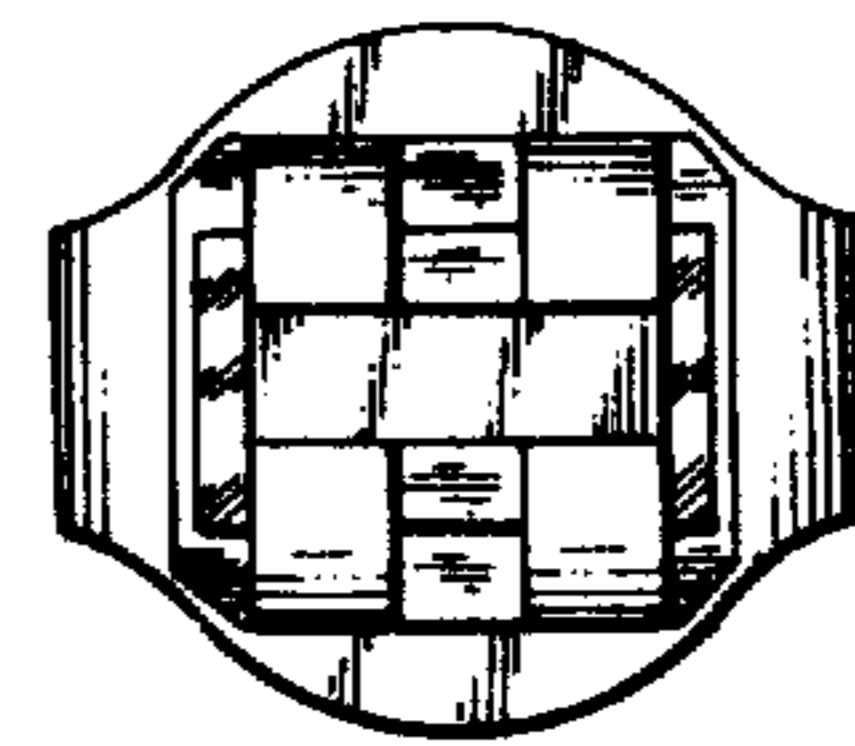


FIG. 5

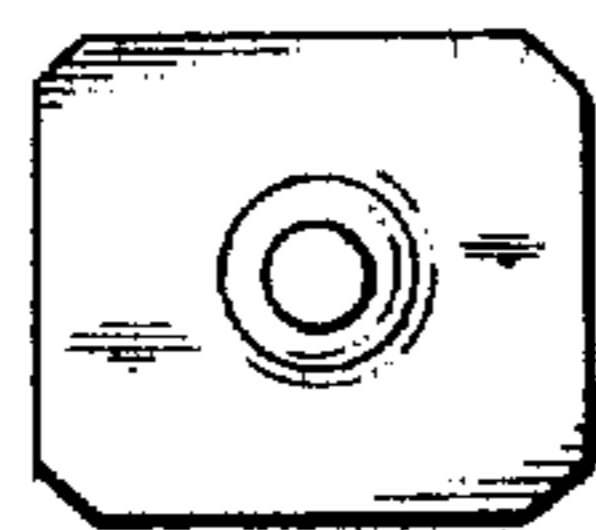
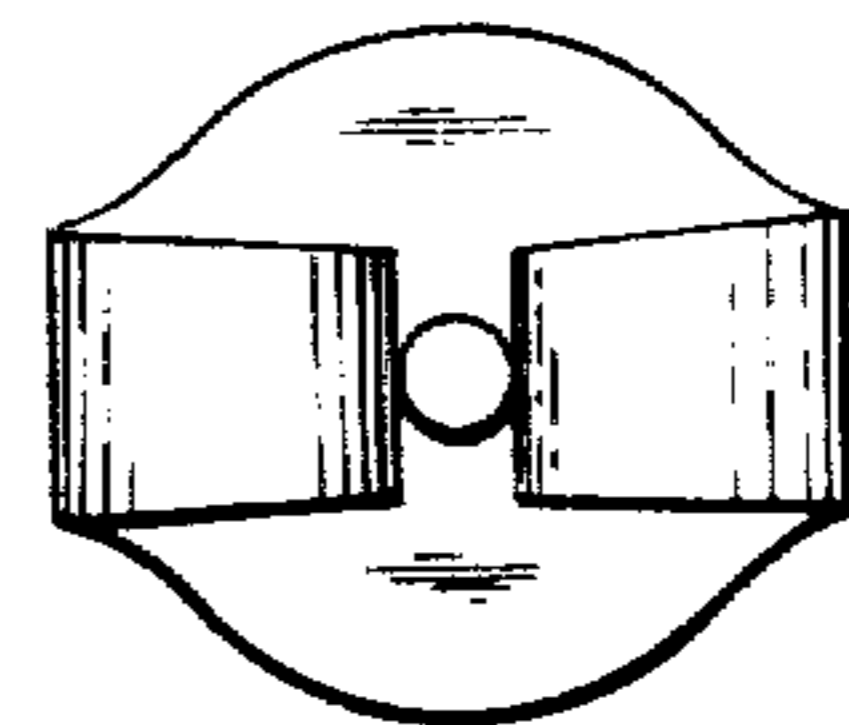


FIG. 6