

[54] MICROMETER

[75] Inventors: Minoru Ueda, Kawasaki; Tamenori Shirai; Takafumi Kanou, both of Kure, all of Japan

[73] Assignee: Mitutoyo MFG. Co., Ltd., Tokyo, Japan

[**] Term: 14 Years

[21] Appl. No.: 353,258

[22] Filed: Mar. 1, 1982

[30] Foreign Application Priority Data

Sep. 3, 1981 [JP] Japan 56-39001

[52] U.S. Cl. D10/73

[58] Field of Search D10/73; 33/143 F, 147 G, 33/147 J, 147 T, 147 R, 166 R

[56] References Cited

U.S. PATENT DOCUMENTS

D. 239,704 4/1976 Morgan D10/73

D. 263,809	4/1982	Suwa	D10/73
D. 268,740	4/1983	Tanada	D10/73
1,561,630	11/1925	Wilson	33/147 G
2,378,093	6/1945	Monies	33/147 G
2,599,971	6/1952	Brown	33/147 G
3,196,546	7/1965	Himmelsbach	33/166 X
4,255,861	3/1981	Nakata	33/166

Primary Examiner—Nelson C. Holtje
Attorney, Agent, or Firm—Koda and Androlia

[57] CLAIM

The ornamental design for a micrometer, substantially as shown and described.

DESCRIPTION

FIG. 1 is a front and top-left perspective view of a micrometer showing our new design; FIG. 2 is a left side elevational view thereof; FIG. 3 is a right side elevational view thereof; FIG. 4 is a front elevational view thereof; FIG. 5 is a top plan view thereof; FIG. 6 is a rear elevational view thereof; FIG. 7 is a bottom plan view thereof.

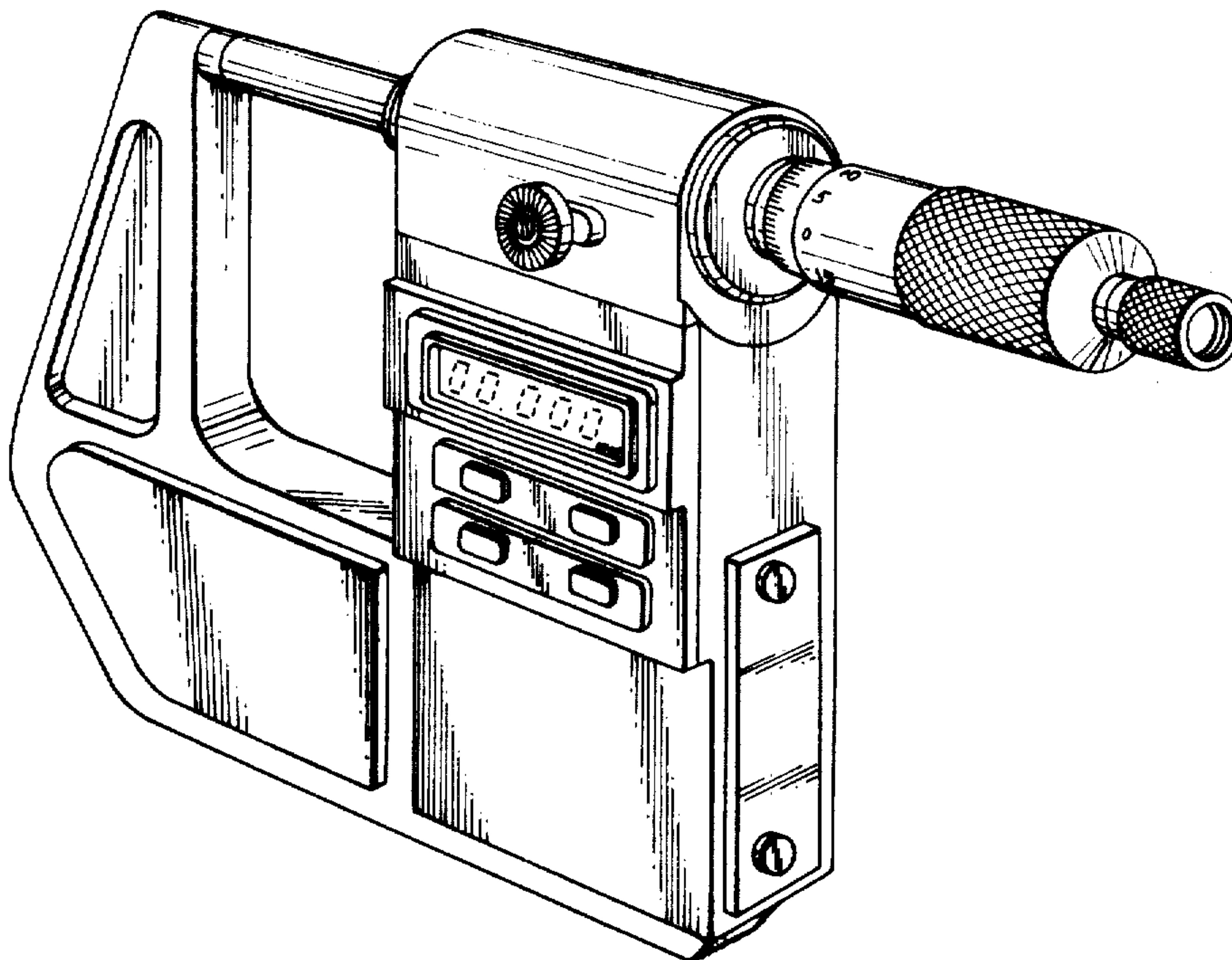


FIG. 1

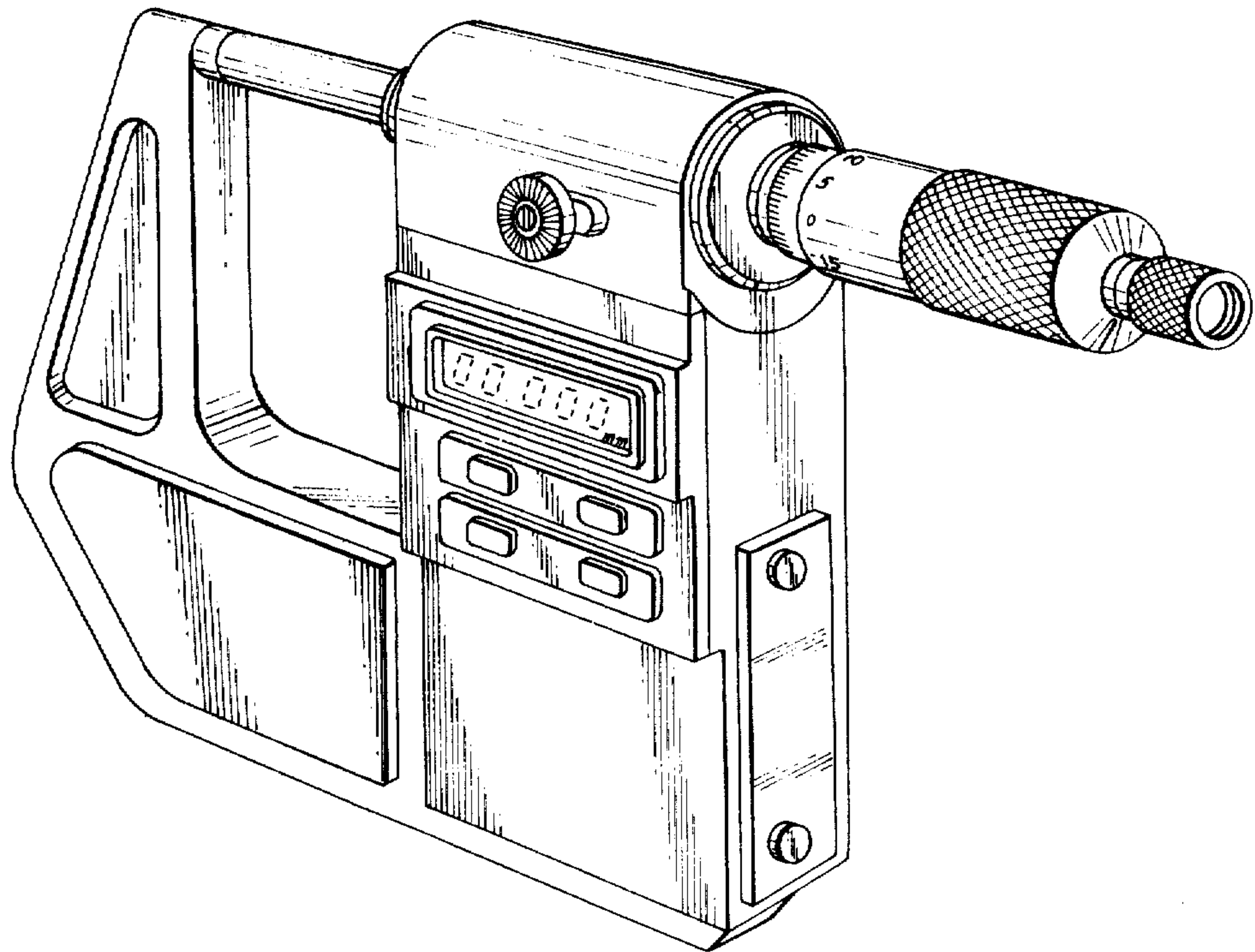


FIG. 2

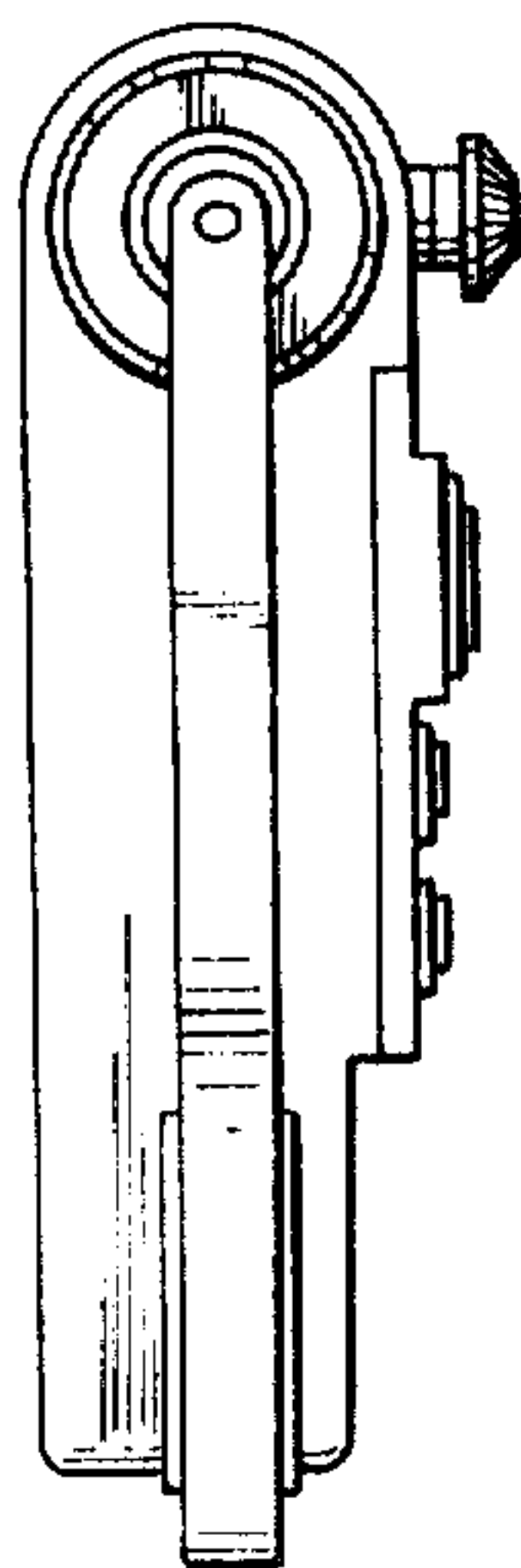


FIG. 3

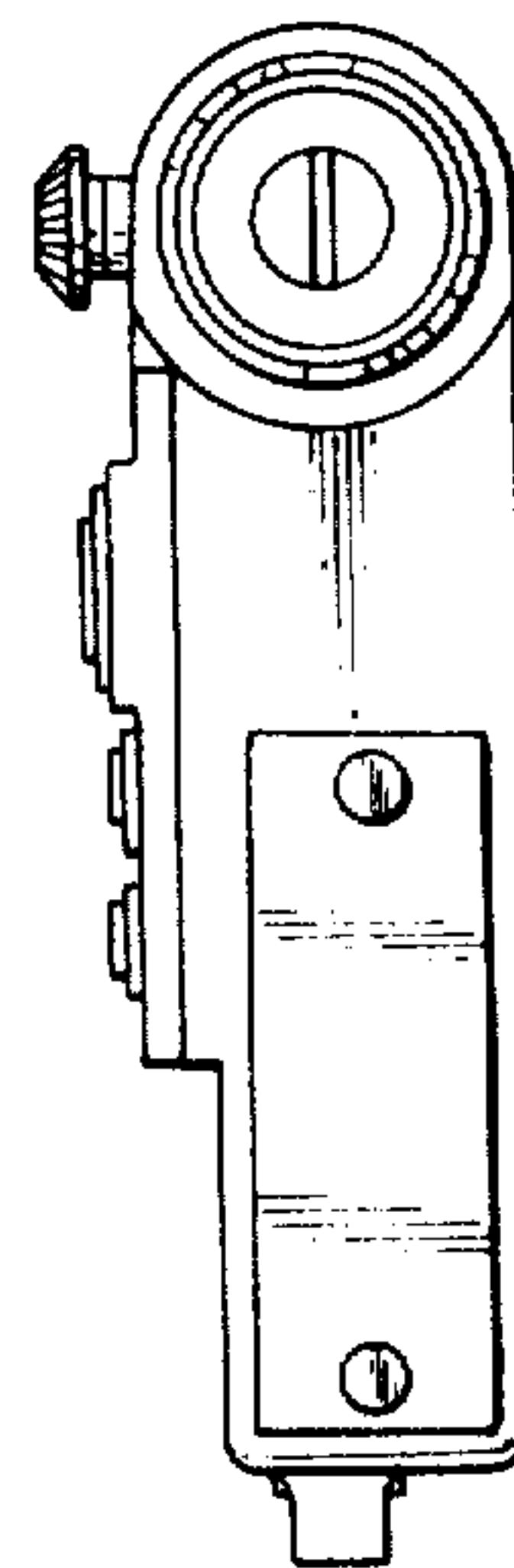


FIG. 4

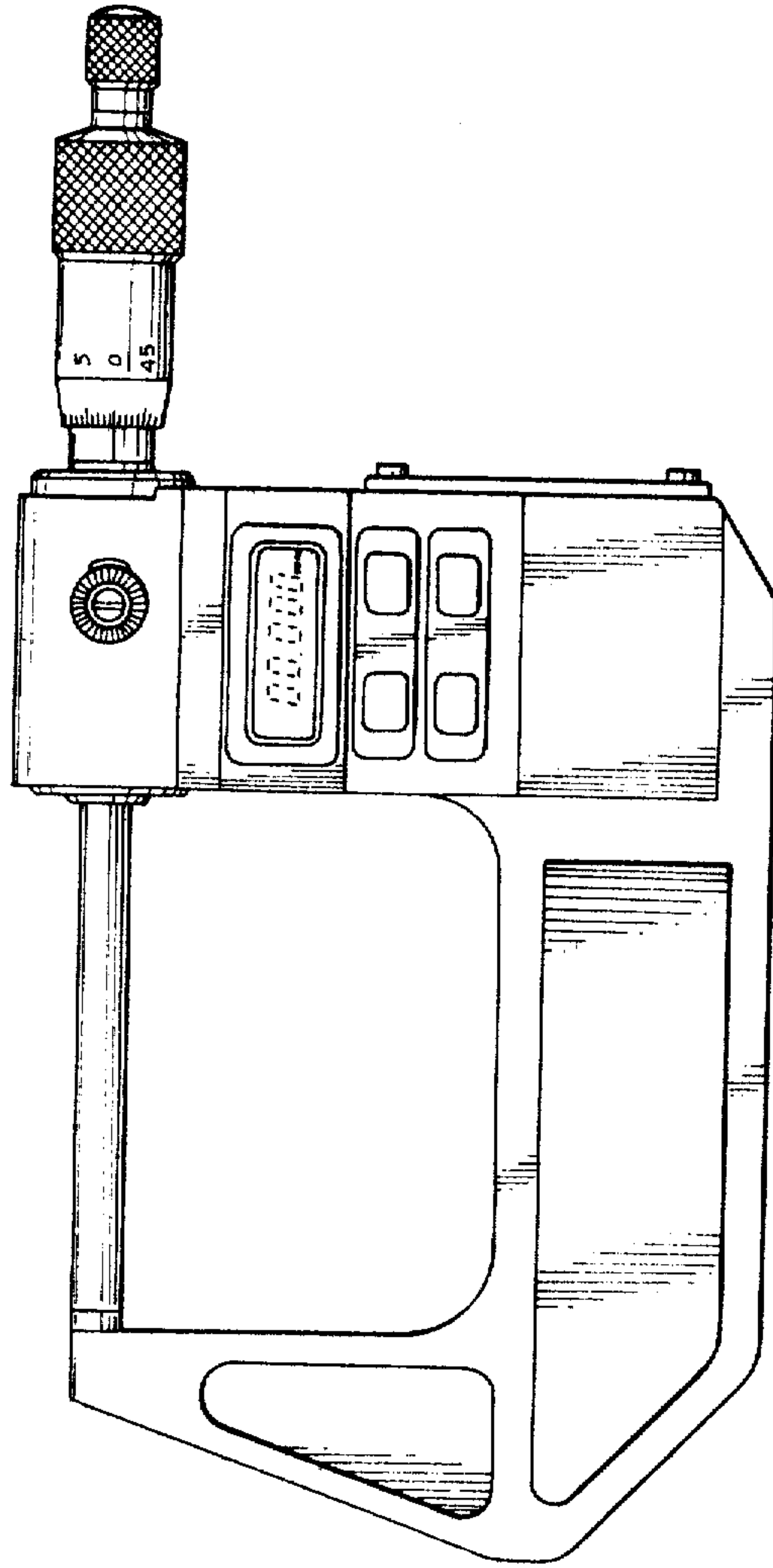


FIG. 5

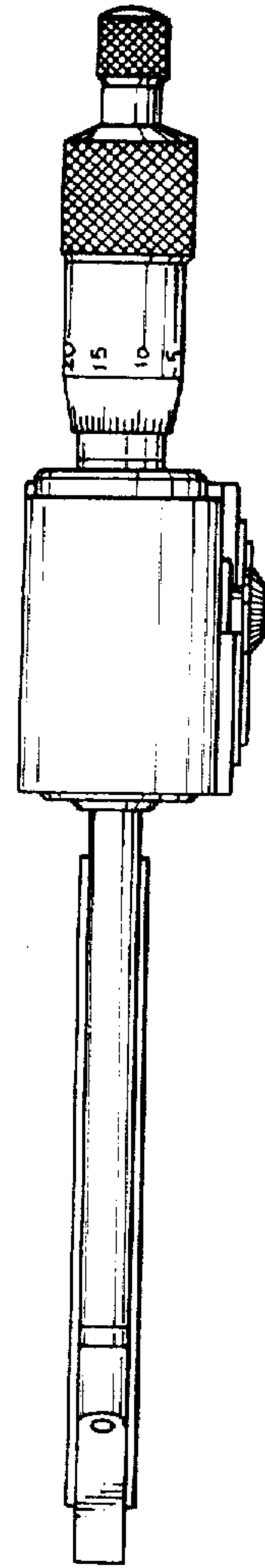


FIG. 6

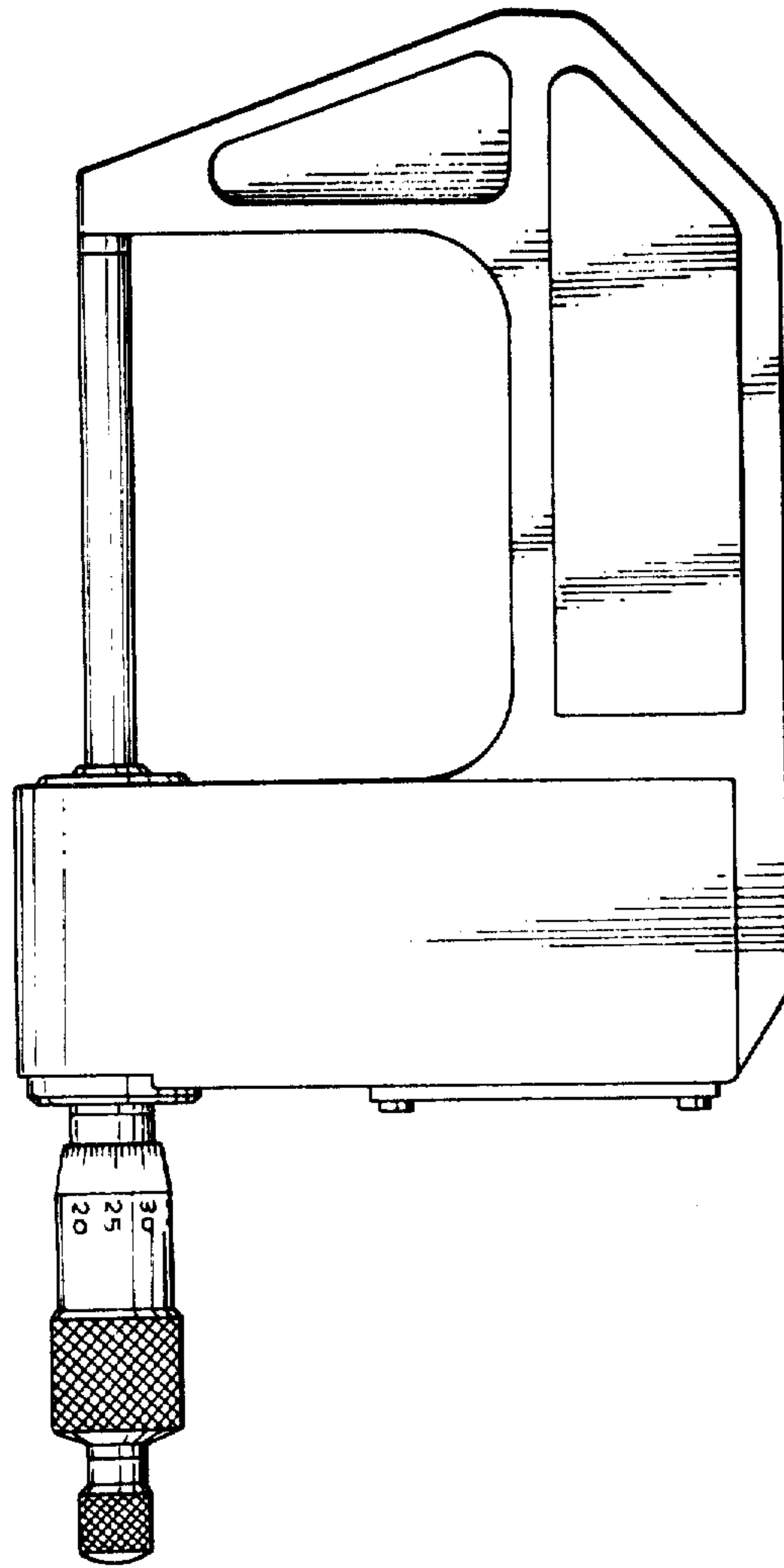


FIG. 7

