

[54] COMBINED WALL THERMOSTAT AND DIGITAL CLOCK

4,079,366 3/1978 Wong ..... 340/309.4  
4,191,328 3/1980 Isaacs ..... 236/46 R  
4,235,368 11/1980 Neel ..... 236/94

[75] Inventors: William J. Lawrence, Dallas; Jerry W. Harrison, Rowlet; Robert J. Wunderlich, Dallas; Clifford W. Herron, Mesquite; Raymond W. Blasingame, Dallas, all of Tex.

[73] Assignee: Autotronics, Inc., Dallas, Tex.

[\*\*] Term: 14 Years

[21] Appl. No.: 84,770

[22] Filed: Oct. 15, 1979

[52] U.S. Cl. .... D10/50; D10/2; D10/4; D10/51

[58] Field of Search ..... D10/49, 50, 51, 52, D10/53, 60; 236/46 R-47 R, 94; 337/301, 303, 304, 327; 307/144; 73/344; 165/11

[56] References Cited

U.S. PATENT DOCUMENTS

D. 185,158 5/1959 Levin ..... D10/50  
D. 256,336 8/1980 Odom ..... D10/51  
D. 257,959 1/1981 Chin ..... D10/50  
4,014,500 3/1977 Galtz ..... 236/46 R

OTHER PUBLICATIONS

*Industrial Equip. News* 12/78, p. 81, Dig. Time/Temp. Display at center.

*Primary Examiner*—Nelson C. Holtje  
*Attorney, Agent, or Firm*—Thomas L. Cantrell; Joseph H. Schley

[57] CLAIM

The ornamental design for a combined wall thermostat and digital clock, as shown and described.

DESCRIPTION

FIG. 1 is a left front perspective view of a combined wall thermostat and digital clock showing our new design;

FIG. 2 is a right front perspective view thereof with the front panel open;

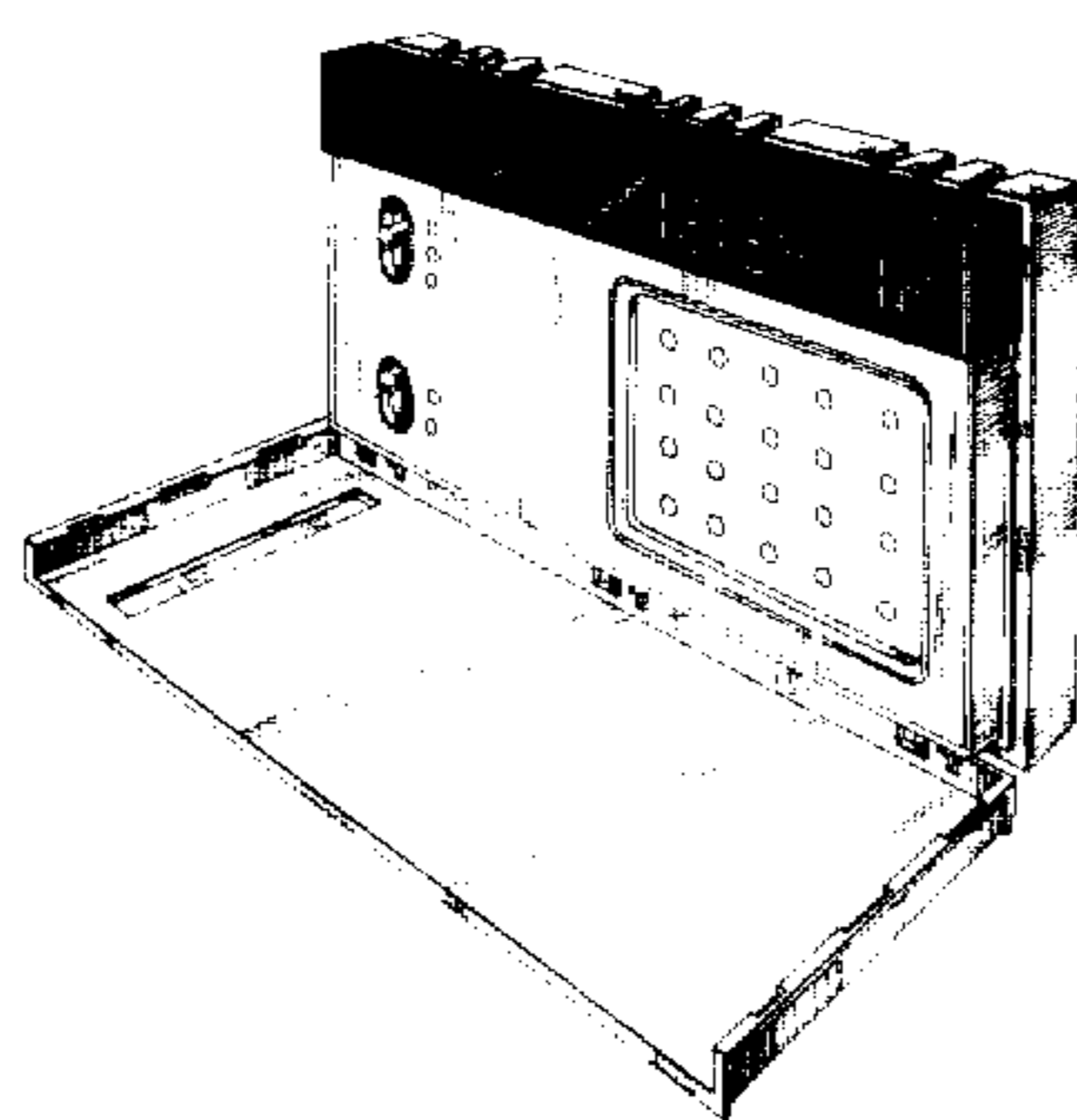
FIG. 3 is a front elevational view thereof;

FIG. 4 is a top plan view thereof;

FIG. 5 is a left side elevational view thereof;

FIG. 6 is a bottom plan view thereof.

The rear of the unit, not shown, is plain and unornamented and hidden in use.



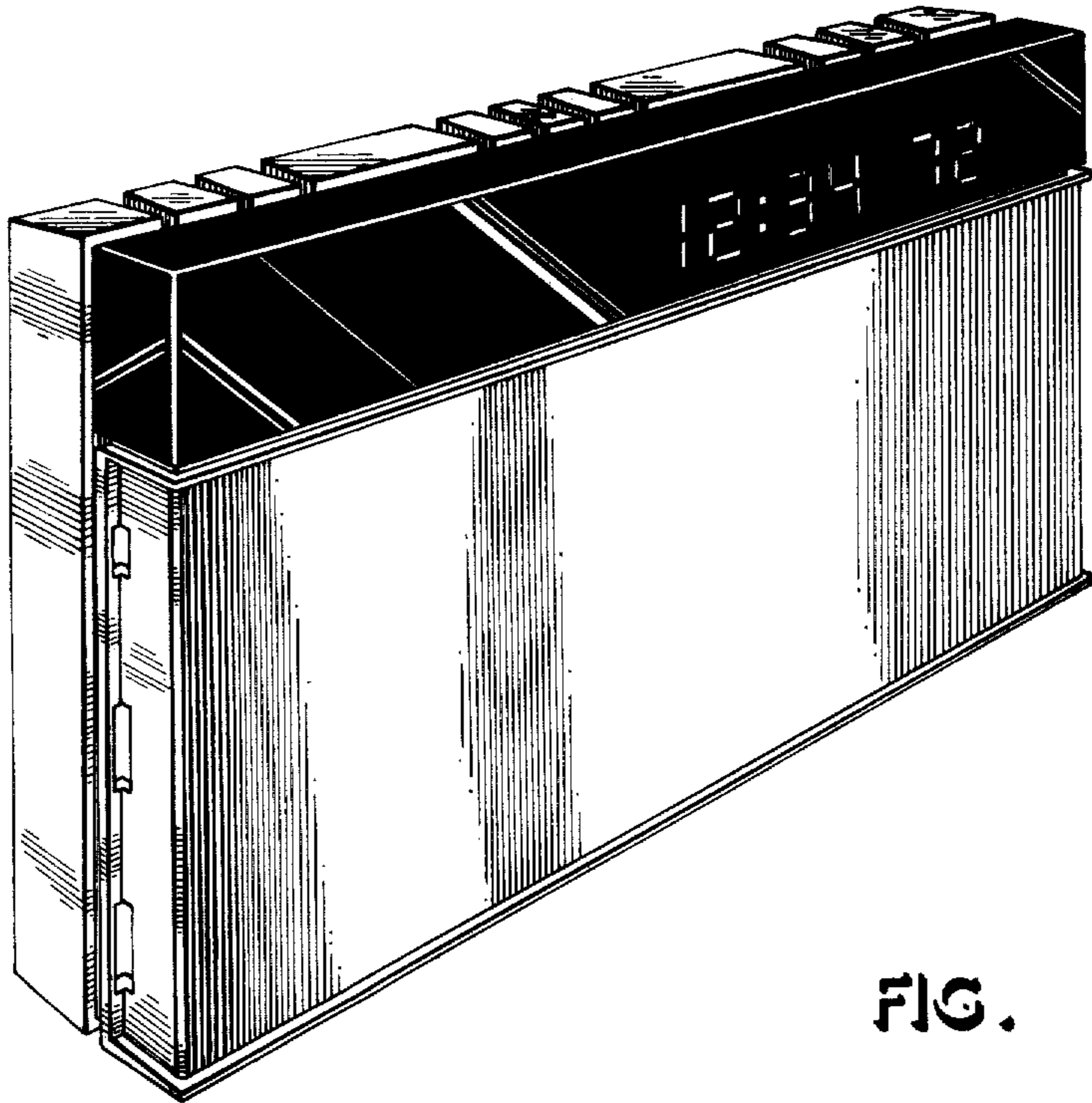


FIG. 1

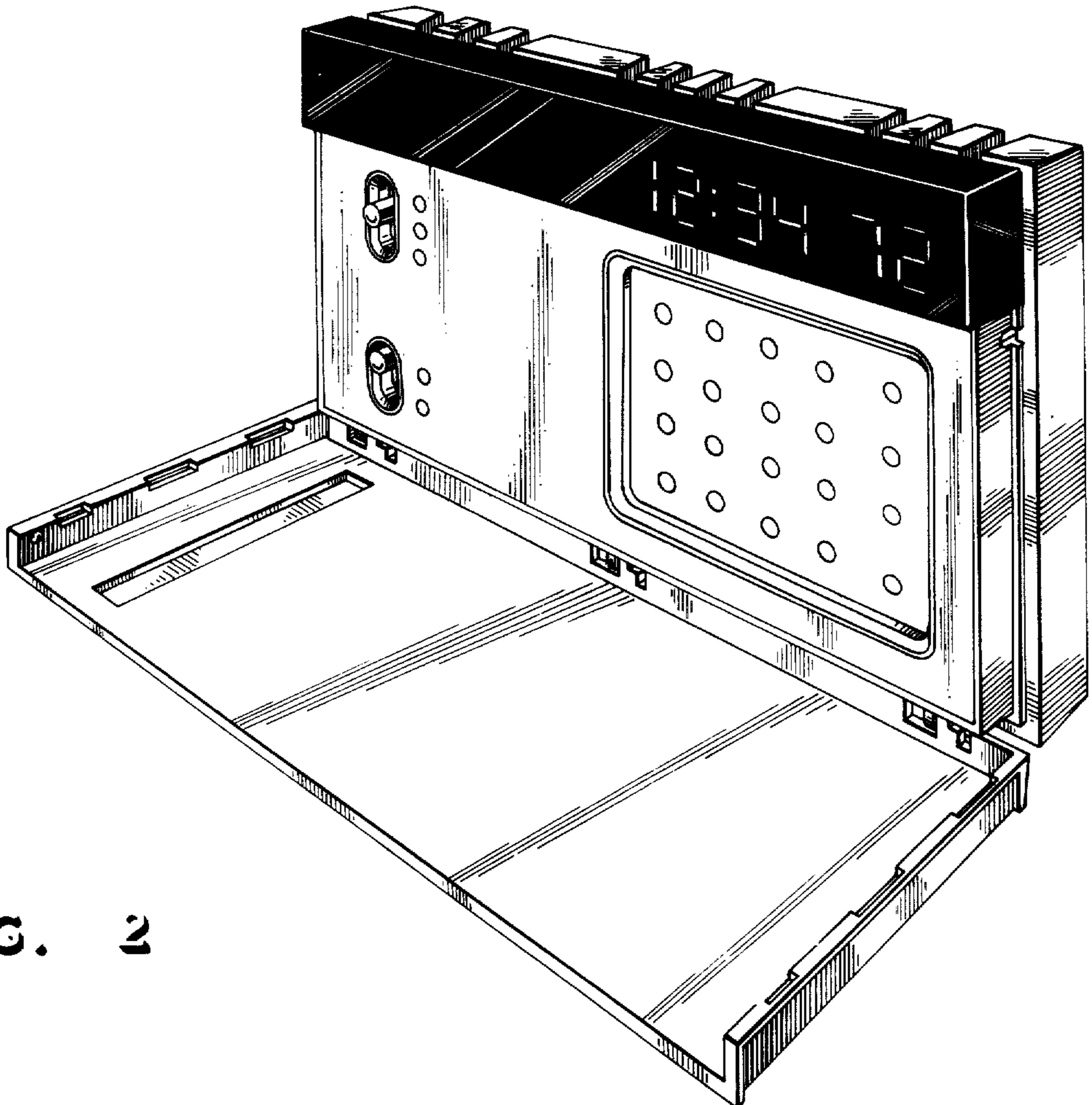


FIG. 2

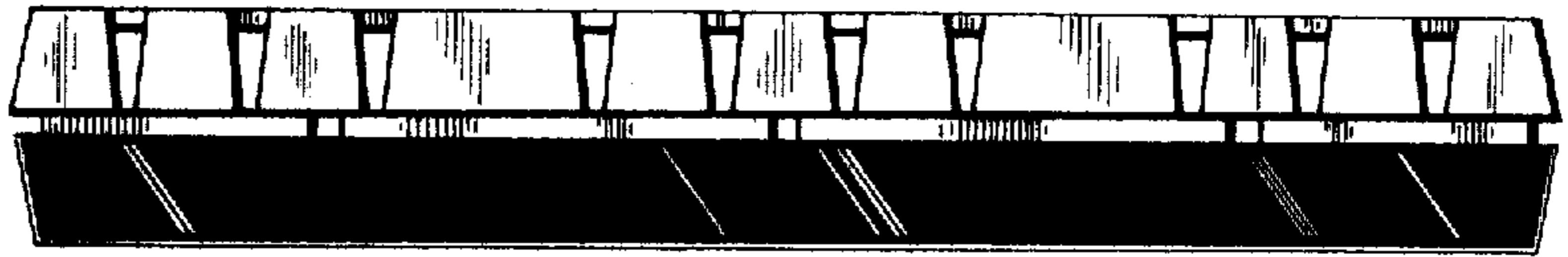


FIG. 4

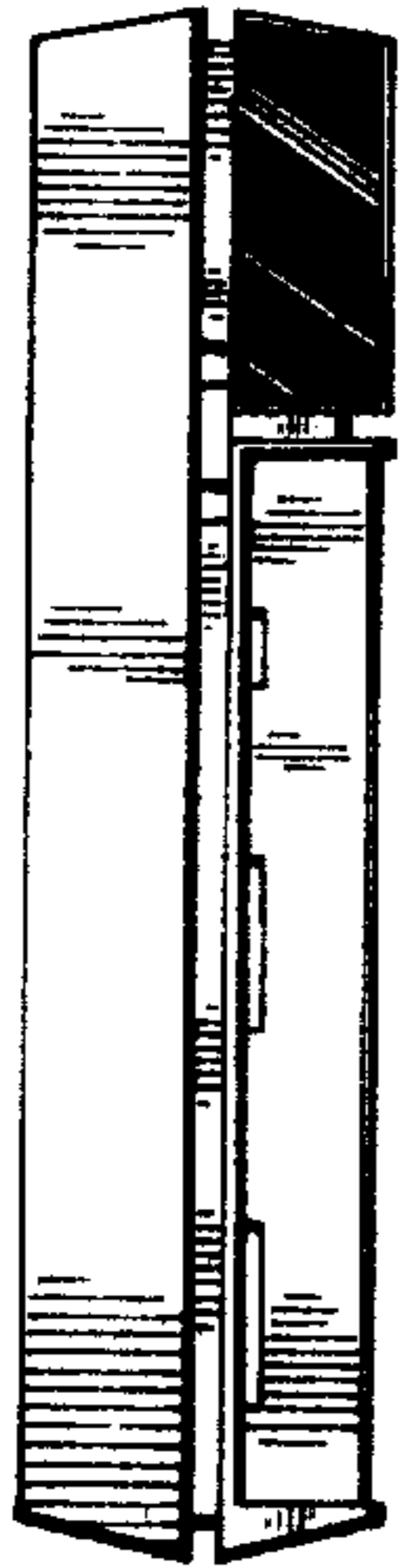


FIG. 5

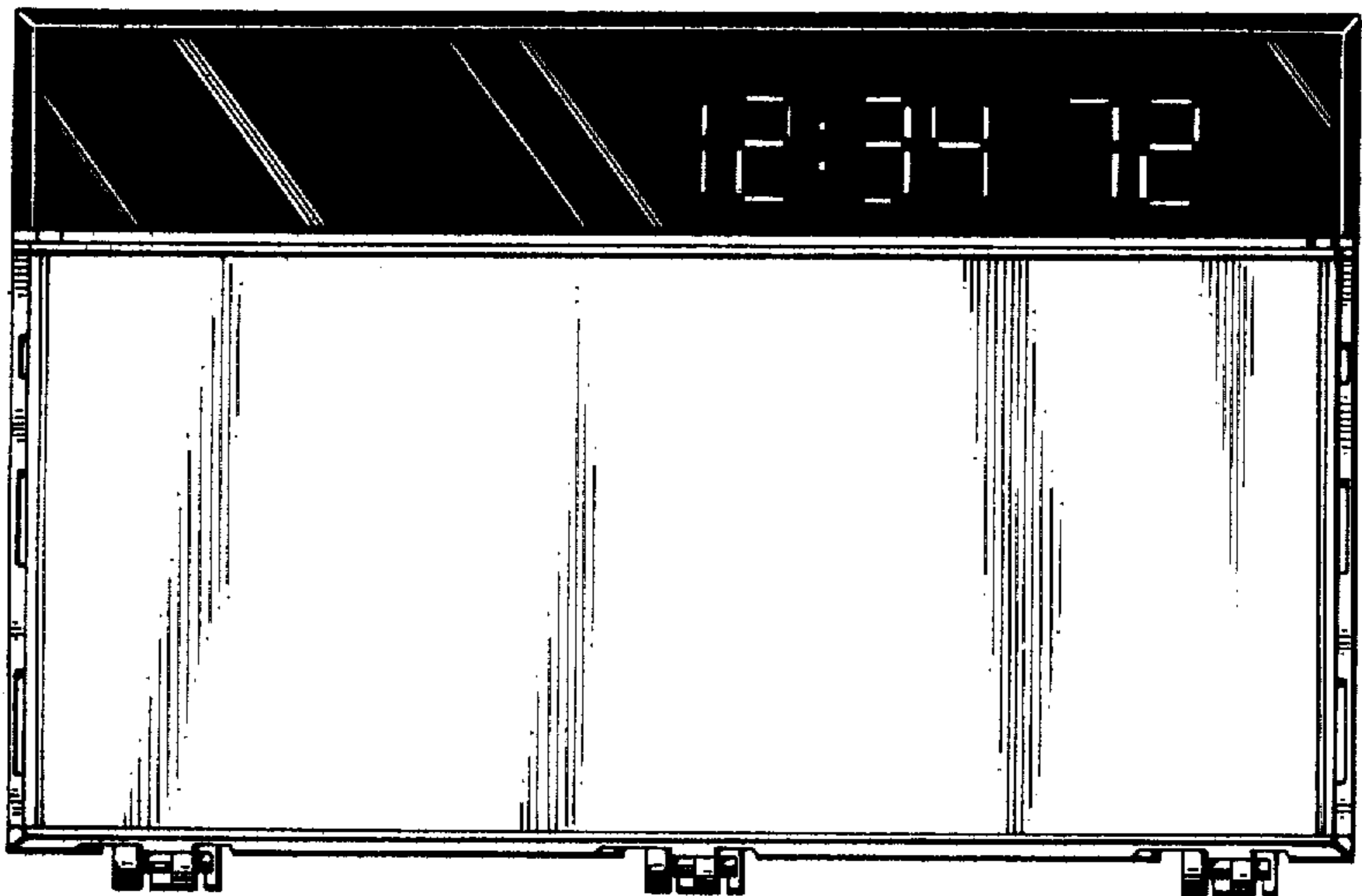


FIG. 3

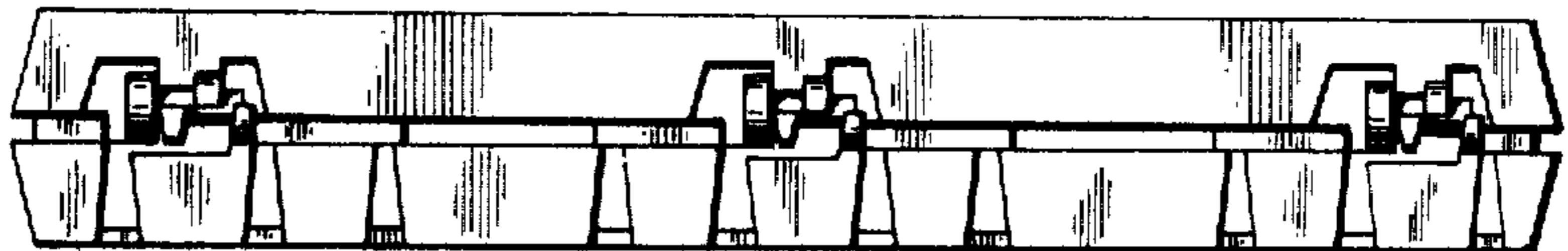


FIG. 6