

[54] WINDOW PANE HOLDER OR SIMILAR ARTICLE

[75] Inventor: Moriji Akabane, Atsugi, Japan

[73] Assignee: Hori Glass Co., Ltd., Kanagawa, Japan

[\*\*] Term: 14 Years

[21] Appl. No.: 403,548

[22] Filed: Jul. 30, 1982

[52] U.S. Cl. .... D8/373; D8/354

[58] Field of Search ..... D8/354, 373; 248/488; 294/99 R, 103 R; D6/234; D3/78, 52, 79; 49/351, 348, 374, 227, 349; 52/716, 844

[56] References Cited

U.S. PATENT DOCUMENTS

D. 265,746	8/1982	Robillard	.....	D20/41
2,292,964	8/1942	Nicholson	.....	49/227
2,608,434	8/1952	Brockway	.....	49/374
2,687,159	8/1954	Dobbs et al.	.....	D3/52
3,172,220	3/1965	Christensen	.....	D20/41

3,333,363	8/1967	Garvey	.....	49/374
3,777,579	12/1973	Cadiou	.....	49/227
4,026,088	5/1977	Akabane	.....	49/351
4,055,319	10/1977	Pendock	.....	248/488
4,121,381	4/1977	Grontz et al.	.....	49/227
4,238,103	12/1980	Kurtz	.....	248/488

Primary Examiner—Wallace R. Burke  
Assistant Examiner—Horace B. Fay  
Attorney, Agent, or Firm—Robert E. Burns; Emmanuel J. Lobato; Bruce L. Adams

[57] CLAIM

The ornamental design for a window pane holder or similar article, substantially as shown and described.

DESCRIPTION

FIG. 1 is a front top perspective view of a window pane holder or similar article showing my new design; FIG. 2 is a front elevational view thereof; FIG. 3 is a left side elevational view thereof; FIG. 4 is a right side elevational view thereof; FIG. 5 is a top plan view thereof; FIG. 6 is a rear elevational view thereof; and FIG. 7 is a bottom plan view thereof.

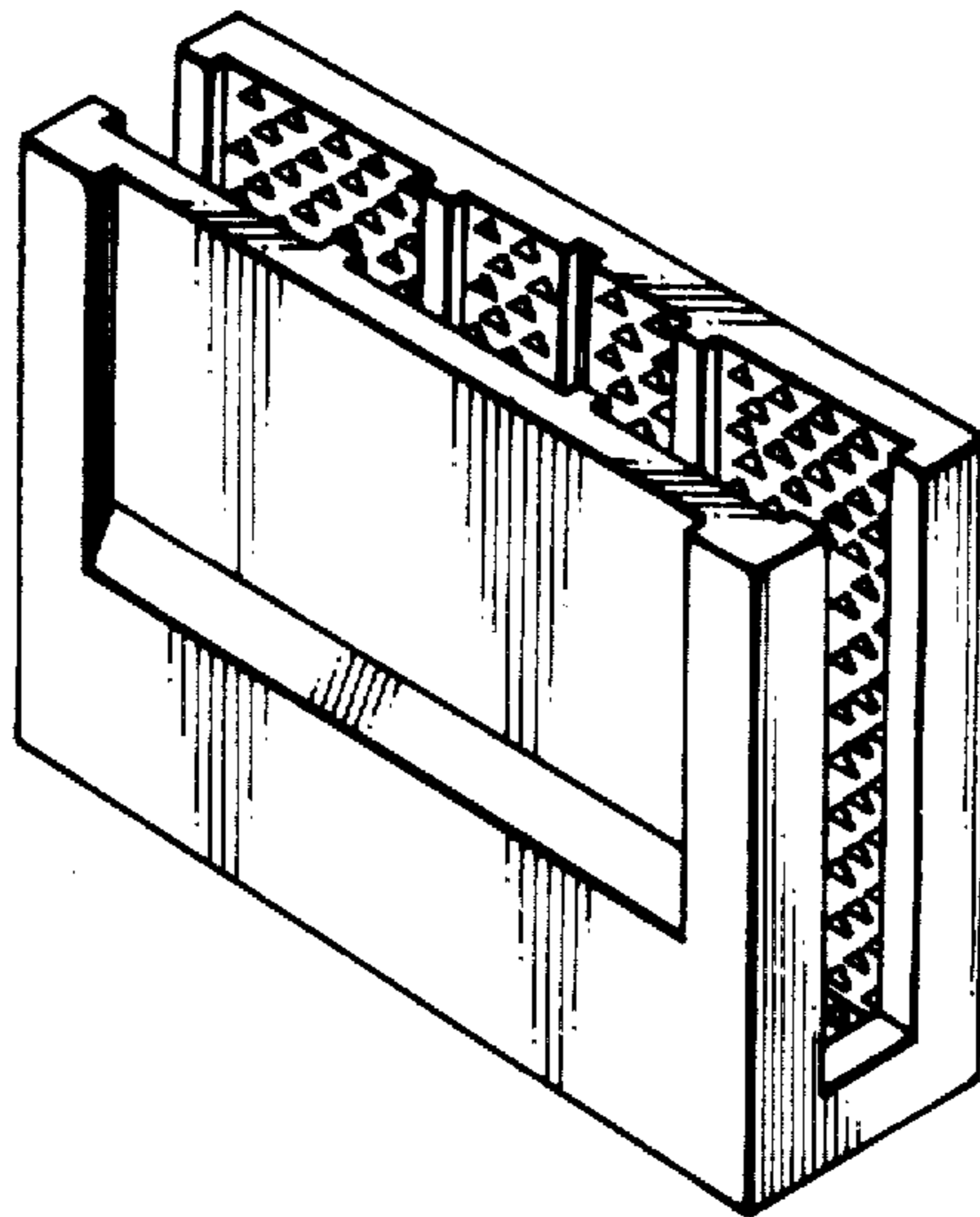


FIG. 1

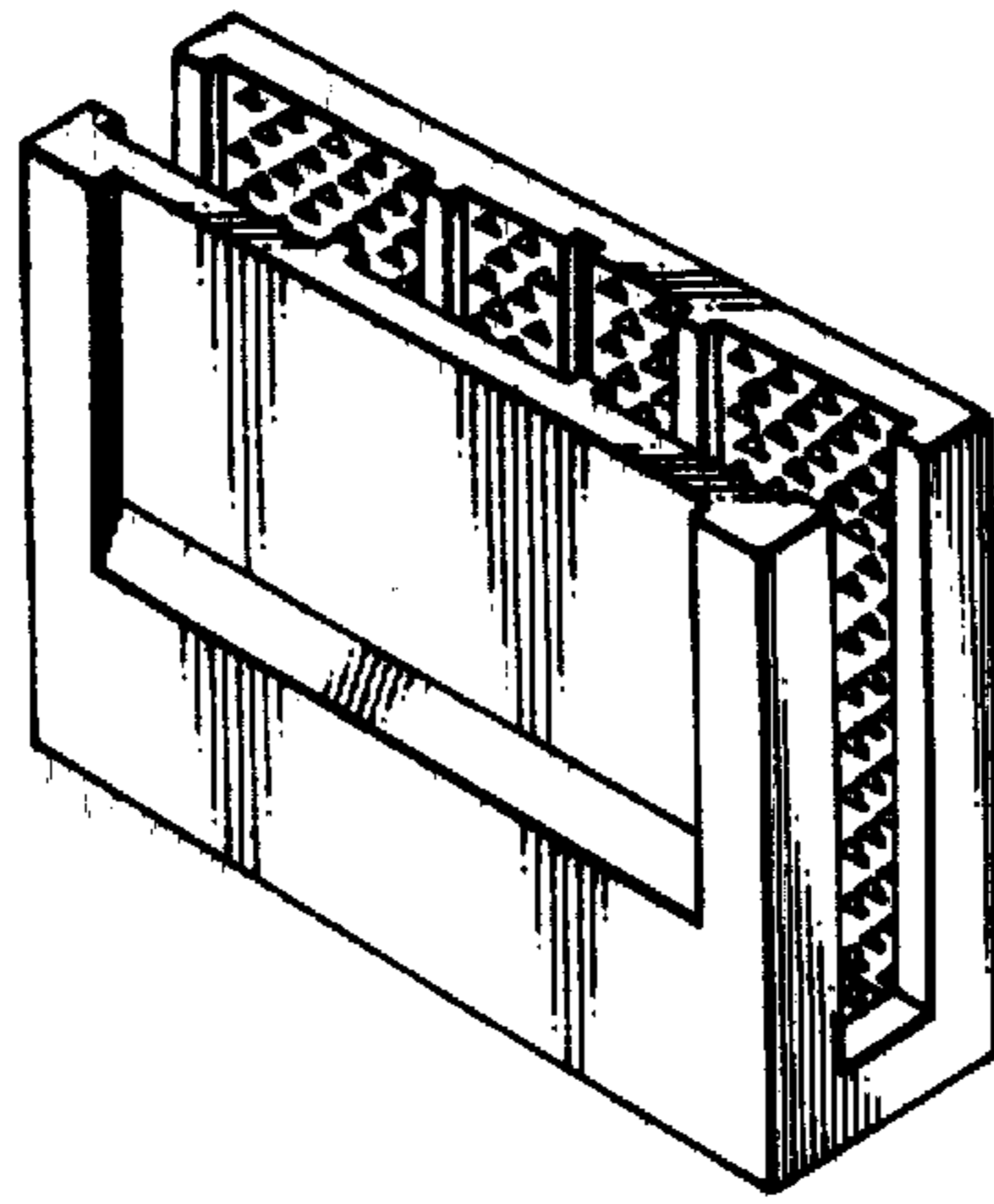


FIG. 2

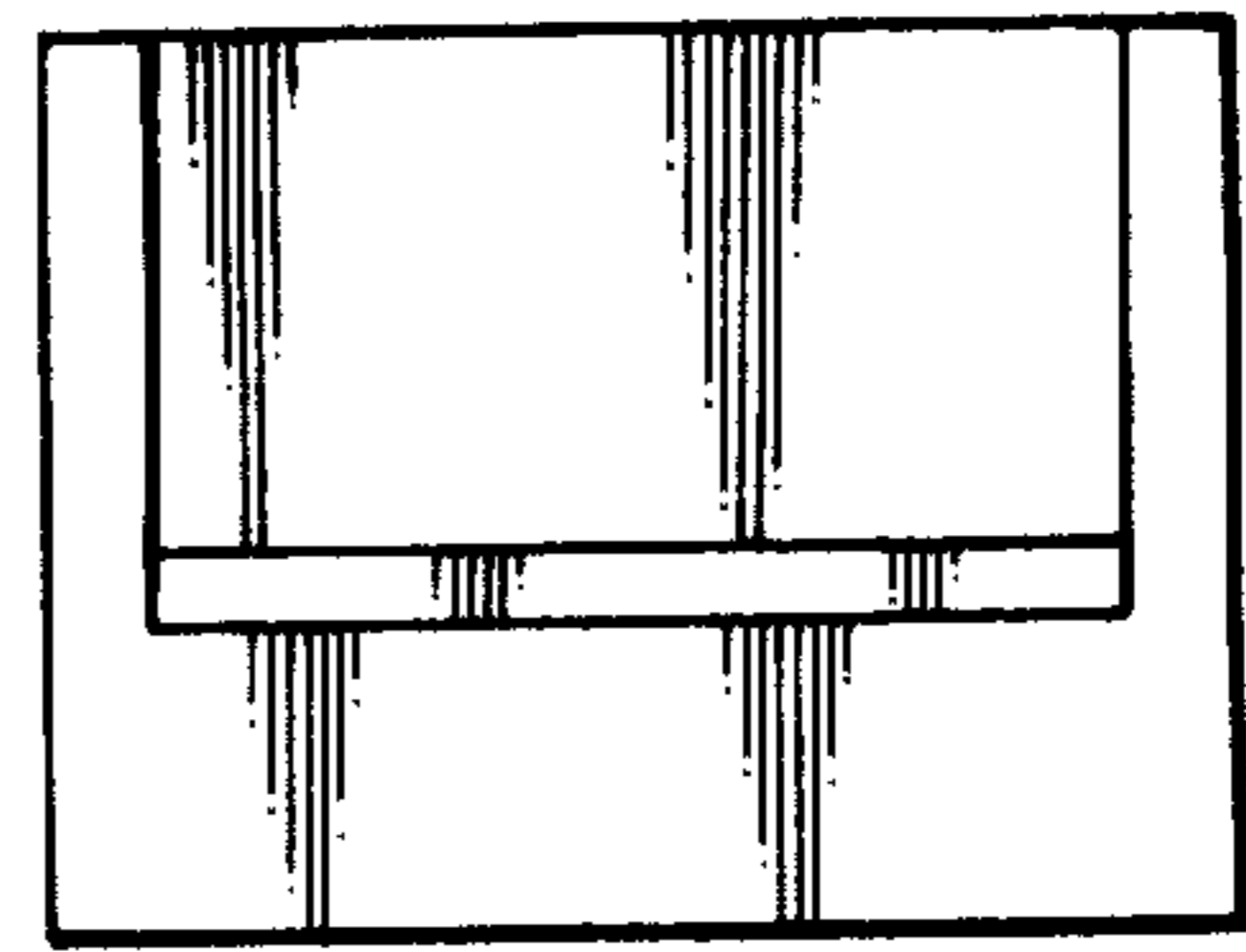


FIG. 3

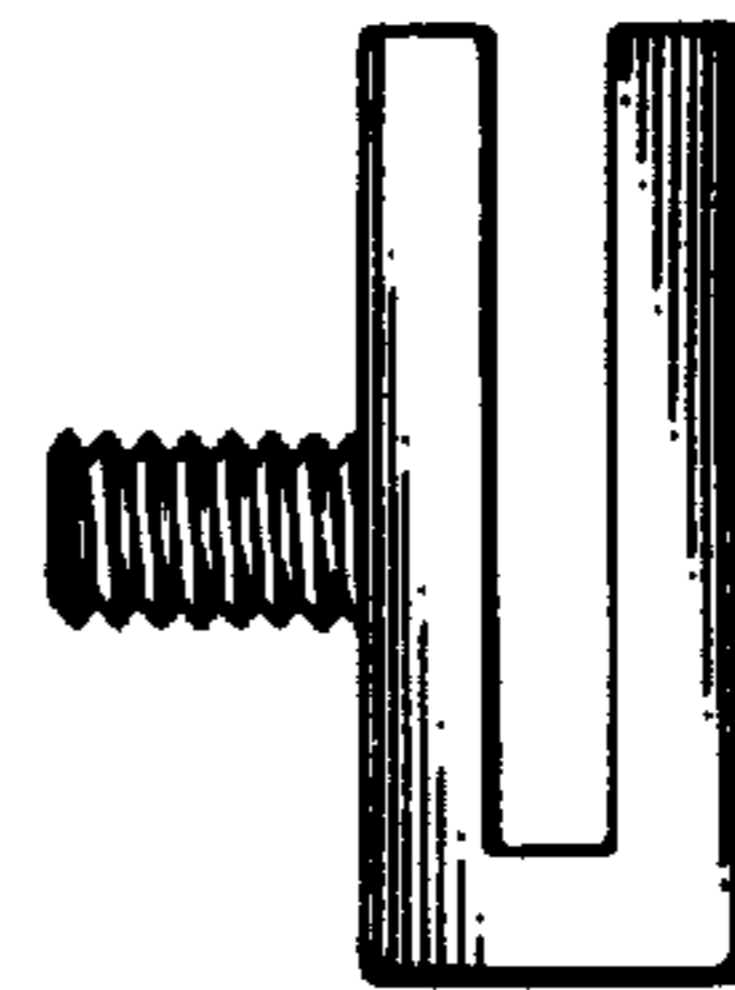


FIG. 4

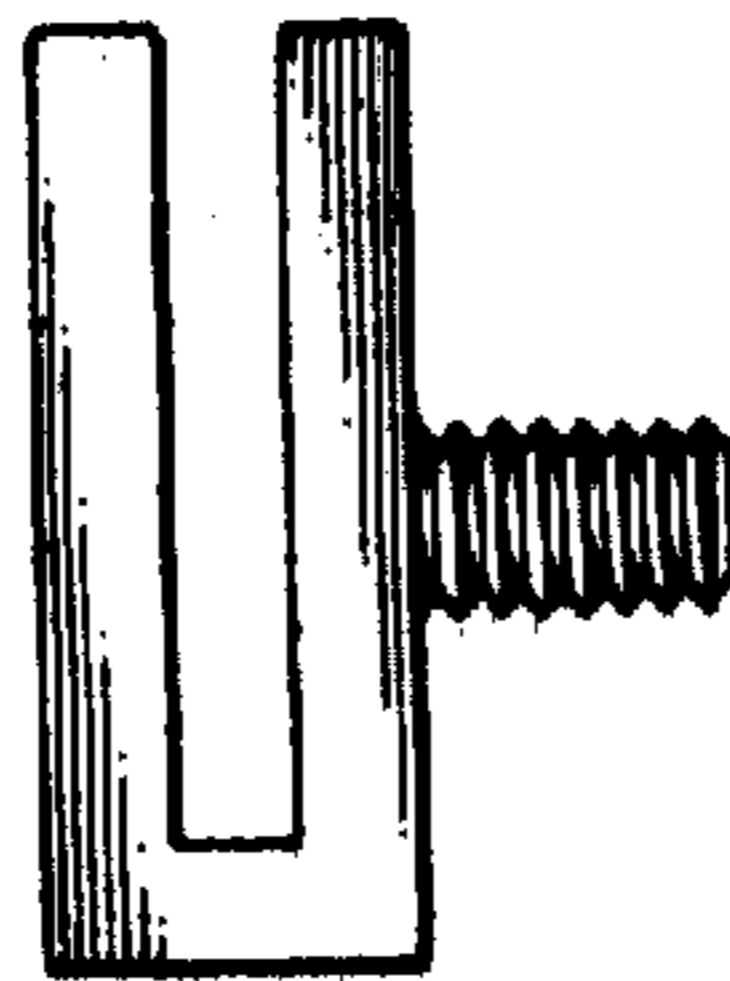


FIG. 5

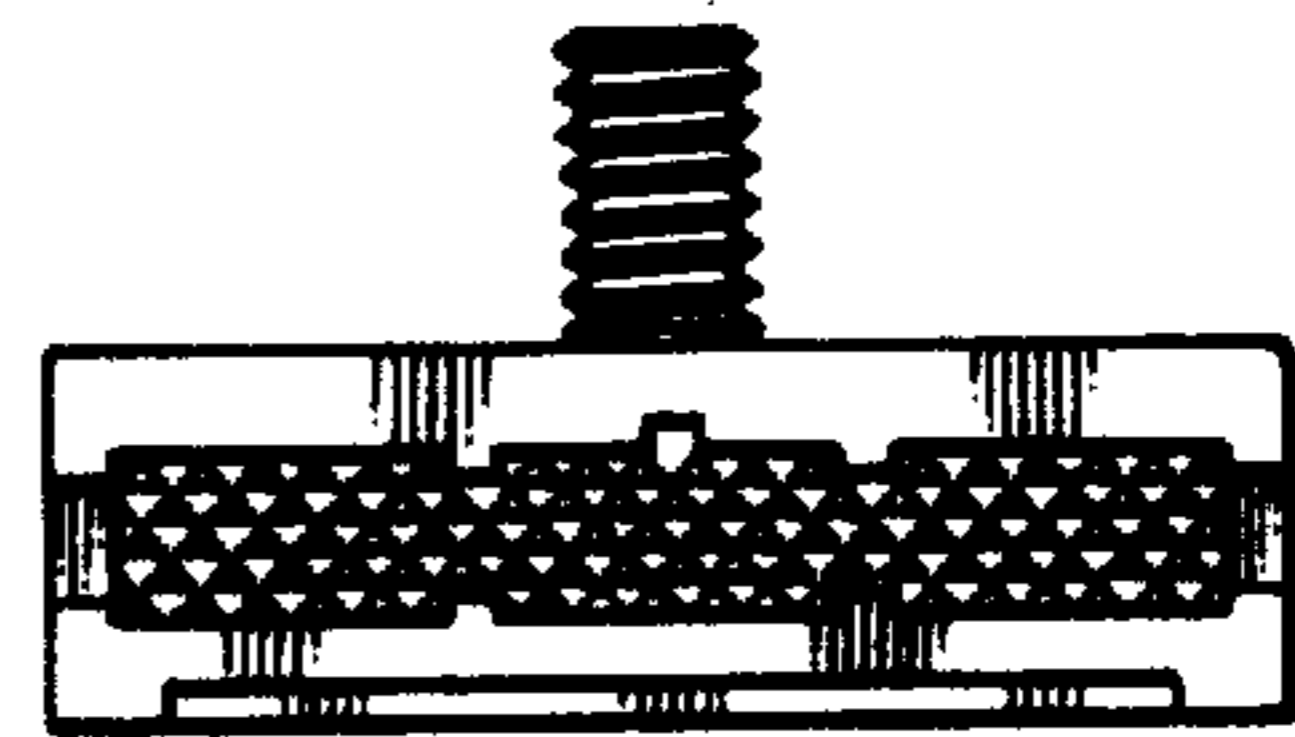


FIG. 6

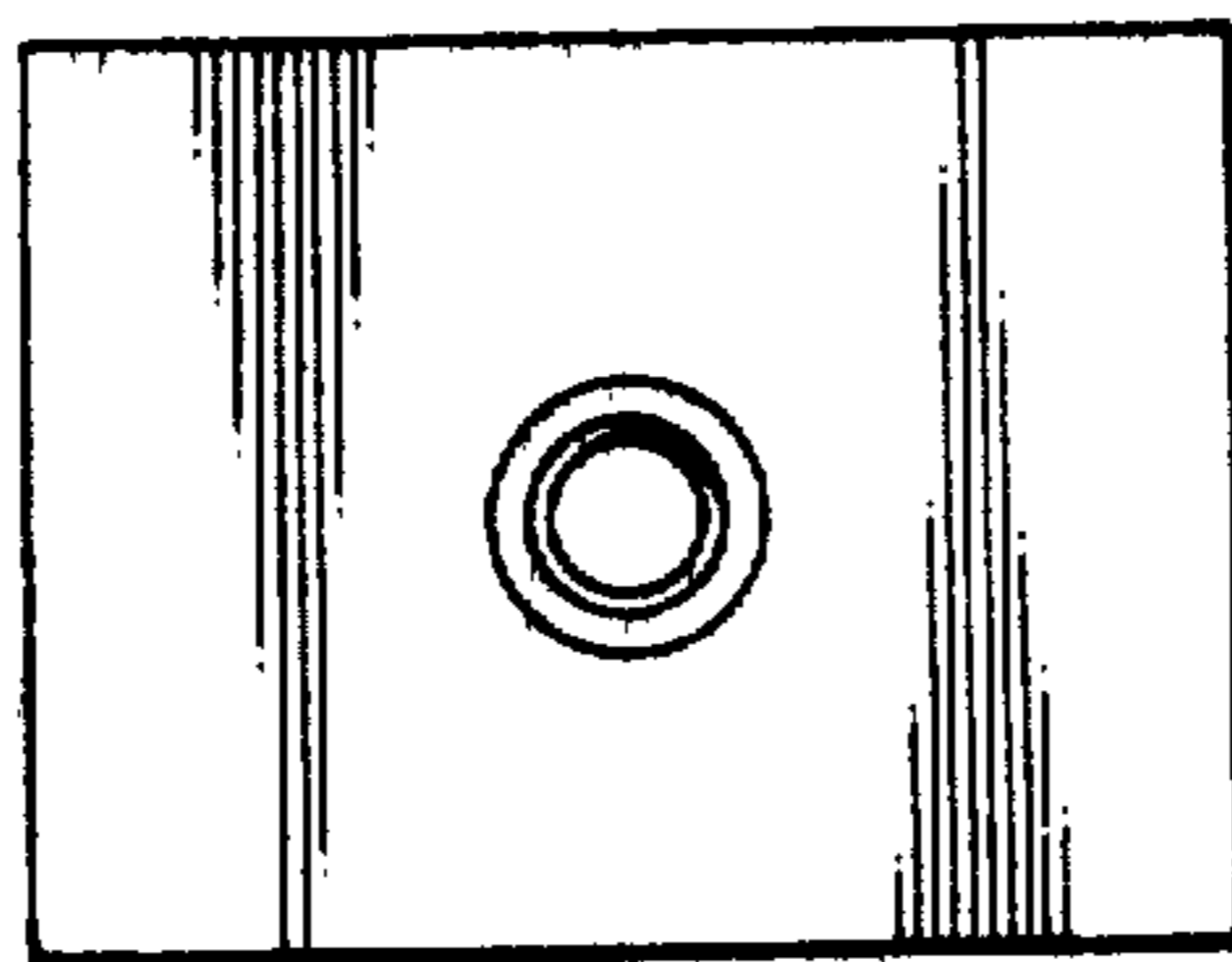


FIG. 7

