

[54] **BOAT HOOK**

[76] Inventor: **Oiva Laine**, Torenintie 39, SF-01900 Nurmijärvi, Finland

[**] Term: **14 Years**

[21] Appl. No.: **247,695**

[22] Filed: **Mar. 24, 1981**

[30] **Foreign Application Priority Data**

Mar. 31, 1980 [FI] Finland 252/80

[52] U.S. Cl. **D8/356**

[58] Field of Search D8/354, 356, 367, 372; 114/221 R; 294/19.1, 26; 43/7

[56] **References Cited**

U.S. PATENT DOCUMENTS

| | | | |
|-----------|--------|------------|-----------|
| 2,246,630 | 6/1941 | Johnson | 294/19.1 |
| 2,347,718 | 5/1944 | Terry | 114/221 R |
| 2,730,985 | 1/1956 | Wingate | 114/221 R |
| 3,273,928 | 9/1966 | Wisniewski | 294/19.1 |
| 3,813,122 | 5/1974 | Wemyss | 294/19.1 |

3,861,731 1/1975 Young 294/26

FOREIGN PATENT DOCUMENTS

653841 12/1962 Canada 294/19.1

140866 6/1953 Sweden 294/19.1

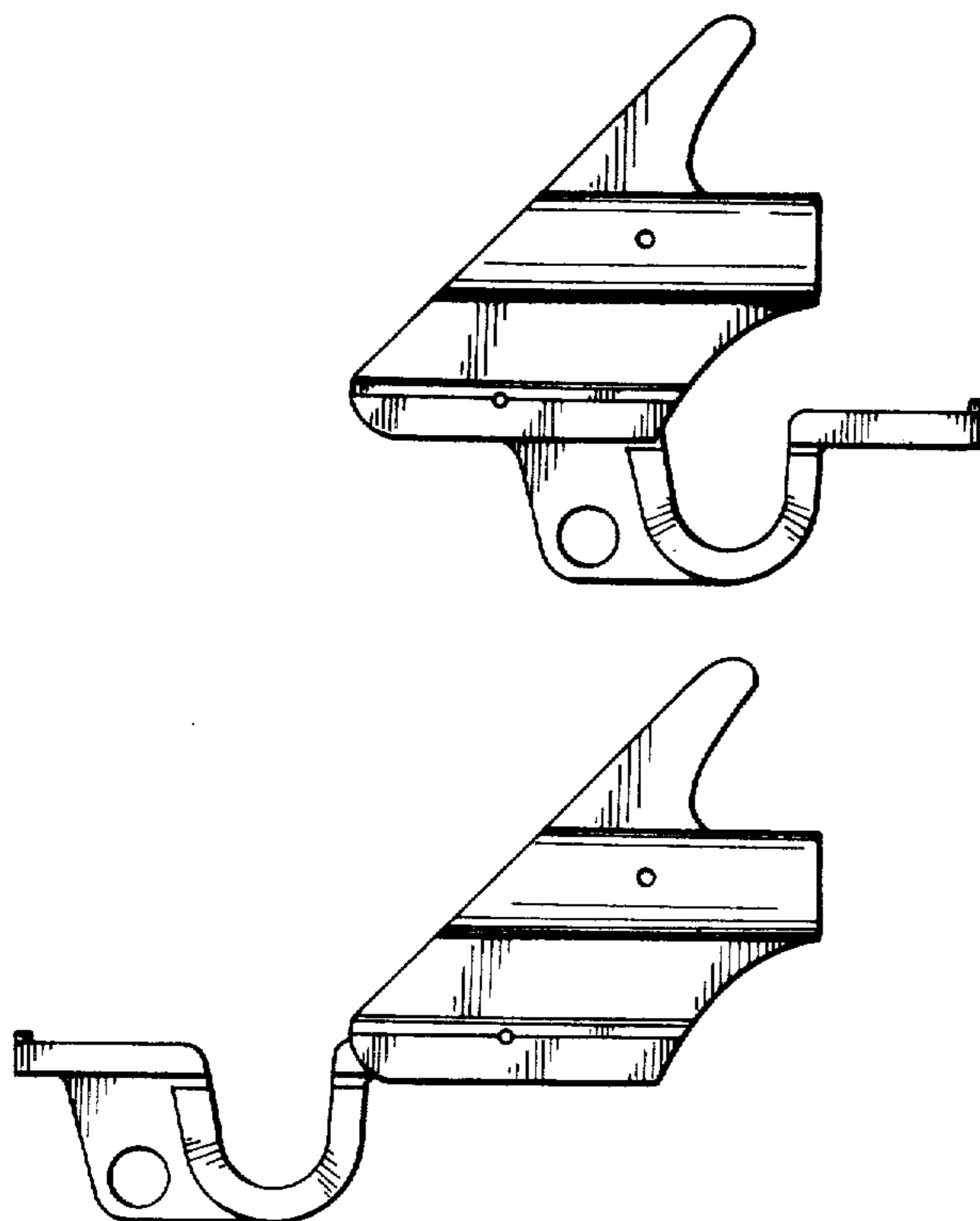
Primary Examiner—Wallace R. Burke
Assistant Examiner—Horace B. Fay
Attorney, Agent, or Firm—Abelman, Frayne & Rezac

[57] **CLAIM**

The ornamental design for a boat hook, as shown and described.

DESCRIPTION

FIG. 1 is a side view of the boat hook showing my new design when the slide is in back position;
 FIG. 2 is a side view of the boat hook when the slide is in front position;
 FIG. 3 is a front view thereof;
 FIG. 4 is a back view thereof;
 FIG. 5 is a top view thereof; and
 FIG. 6 is a bottom view thereof.



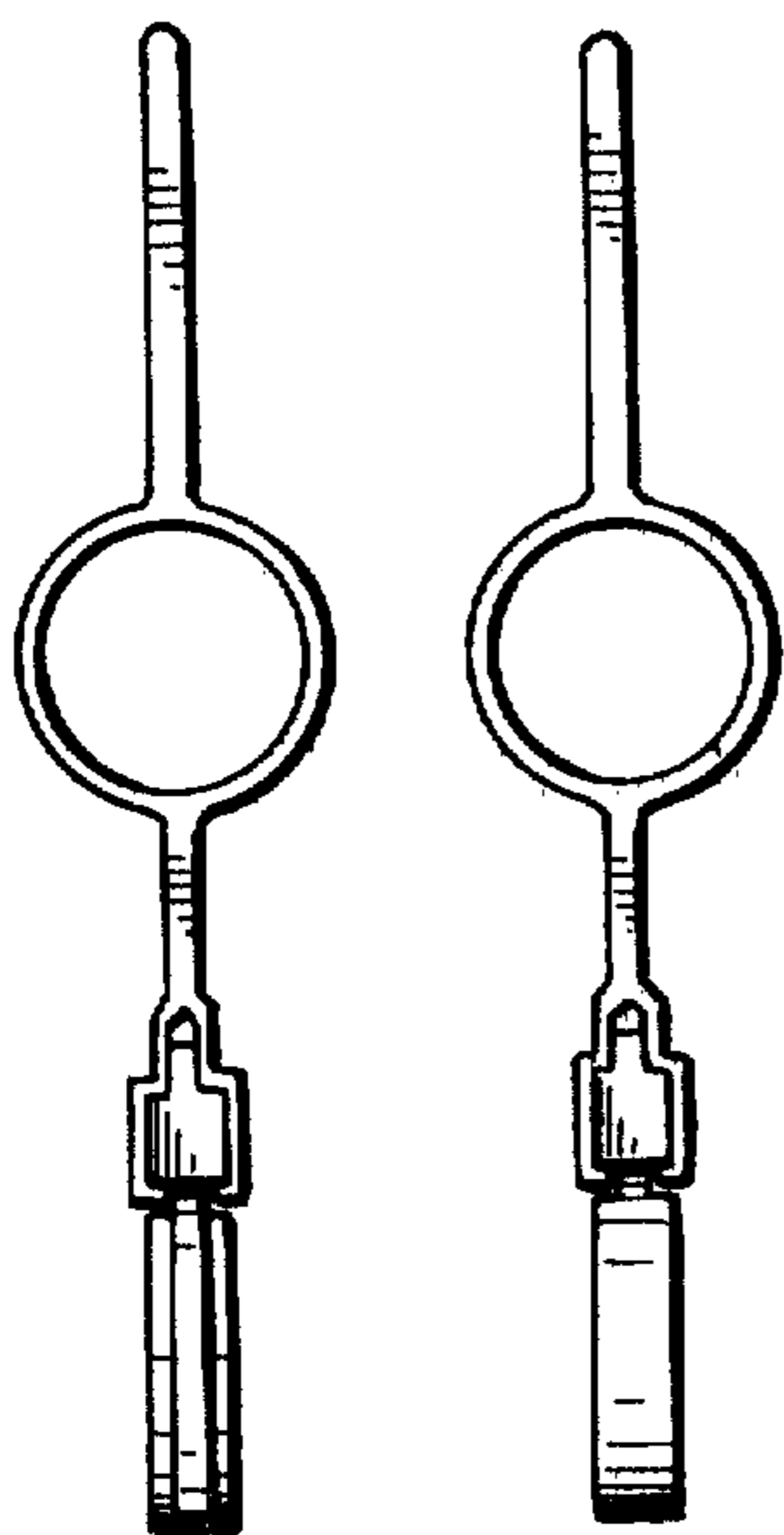


FIG. 3

FIG. 4

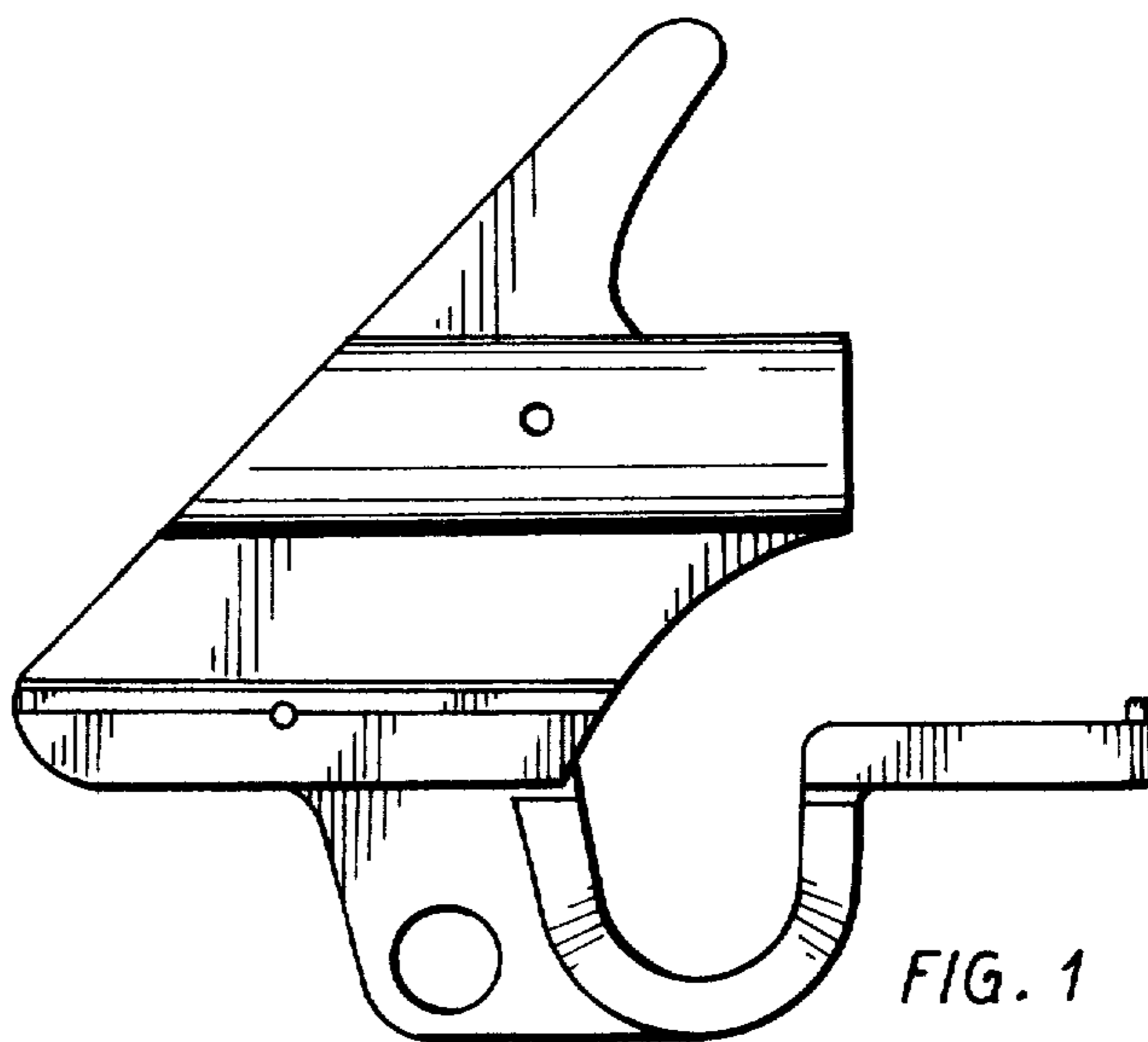


FIG. 1

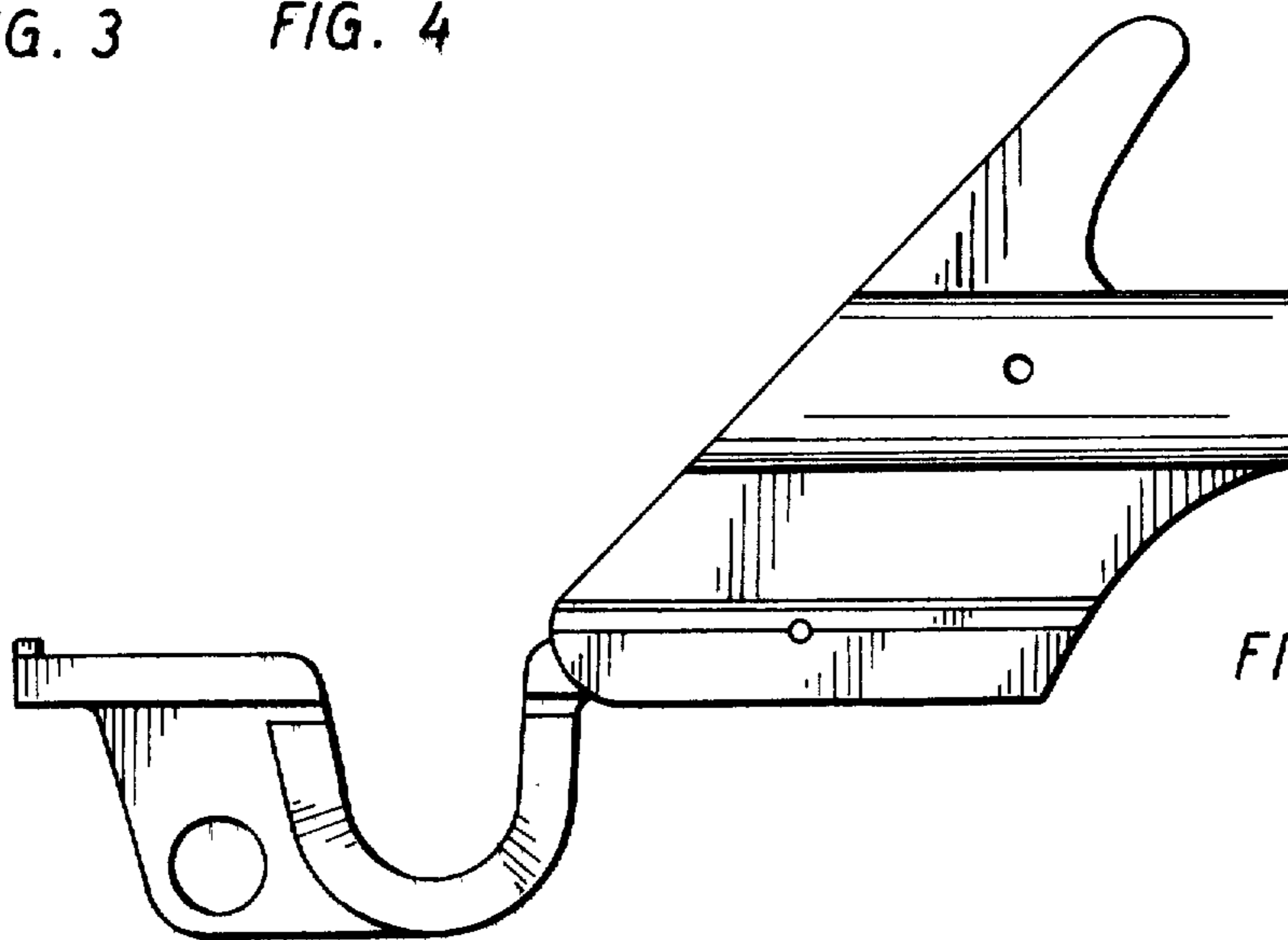


FIG. 2

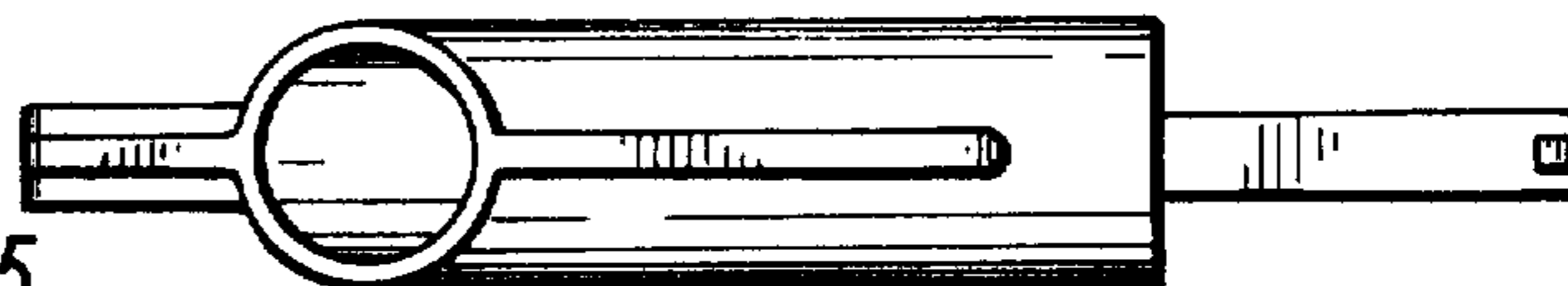


FIG. 5

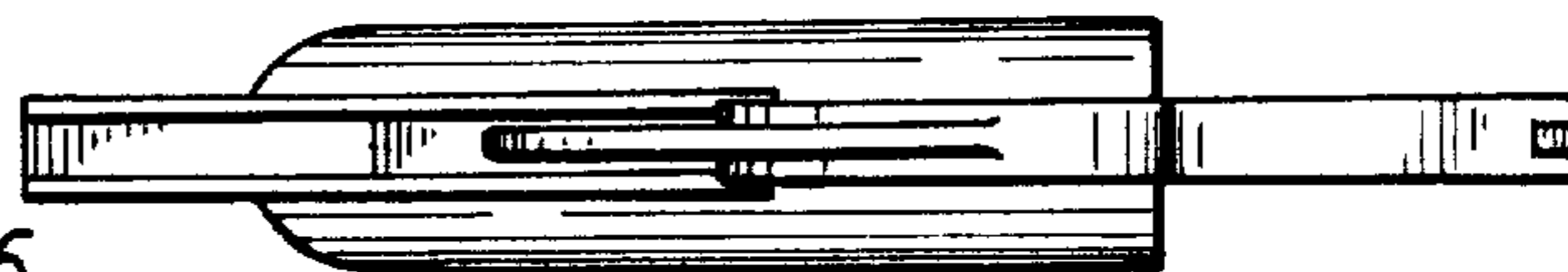


FIG. 6