

[54] **DOOR CLOSER**
 [75] Inventors: **Yoshihiko Matsuo, Yokohama;**
Takeshi Shohoji, Funabashi, both of
Japan
 [73] Assignee: **Ryobi Limited, Hiroshima, Japan**
 [**] Term: **14 Years**
 [21] Appl. No.: **382,206**
 [22] Filed: **May 26, 1982**

[30] **Foreign Application Priority Data**
 Dec. 24, 1981 [JP] Japan 56-57785
 [52] U.S. Cl. **D8/330**
 [58] Field of Search D8/330; 16/49, 51, 71,
 16/66, 82, 84

[56] **References Cited**
U.S. PATENT DOCUMENTS
 D. 166,884 5/1952 Schlage D8/330
 D. 241,910 10/1976 Meisner D8/330
 D. 261,099 10/1981 Russell D8/330
 D. 271,201 12/1923 Matsuo et al. D8/330
 3,082,471 3/1963 Rolph 16/49

3,259,936 7/1966 Sheridan 16/49
 3,909,877 10/1975 Christy et al. 16/49
 4,086,681 5/1978 Nakanishi 16/71

FOREIGN PATENT DOCUMENTS

2245748 4/1974 Fed. Rep. of Germany 16/49
 688939 4/1965 Italy 16/49

Primary Examiner—Wallace R. Burke
Assistant Examiner—Horace B. Fay
Attorney, Agent, or Firm—Frishauf, Holtz, Goodman
 and Woodward

[57] **CLAIM**
 The ornamental design for a door closer, as shown and
 described.

DESCRIPTION

FIG. 1 is a front elevational view of a door closer show-
 ing our new design;
 FIG. 2 is a top plan view thereof;
 FIG. 3 is a bottom plan view thereof;
 FIG. 4 is a rear elevational view thereof;
 FIG. 5 is a left side elevational view thereof;
 FIG. 6 is a right side elevational view thereof;
 FIG. 7 is a front-left side perspective view thereof; and
 FIG. 8 is a bottom-right side perspective view thereof.

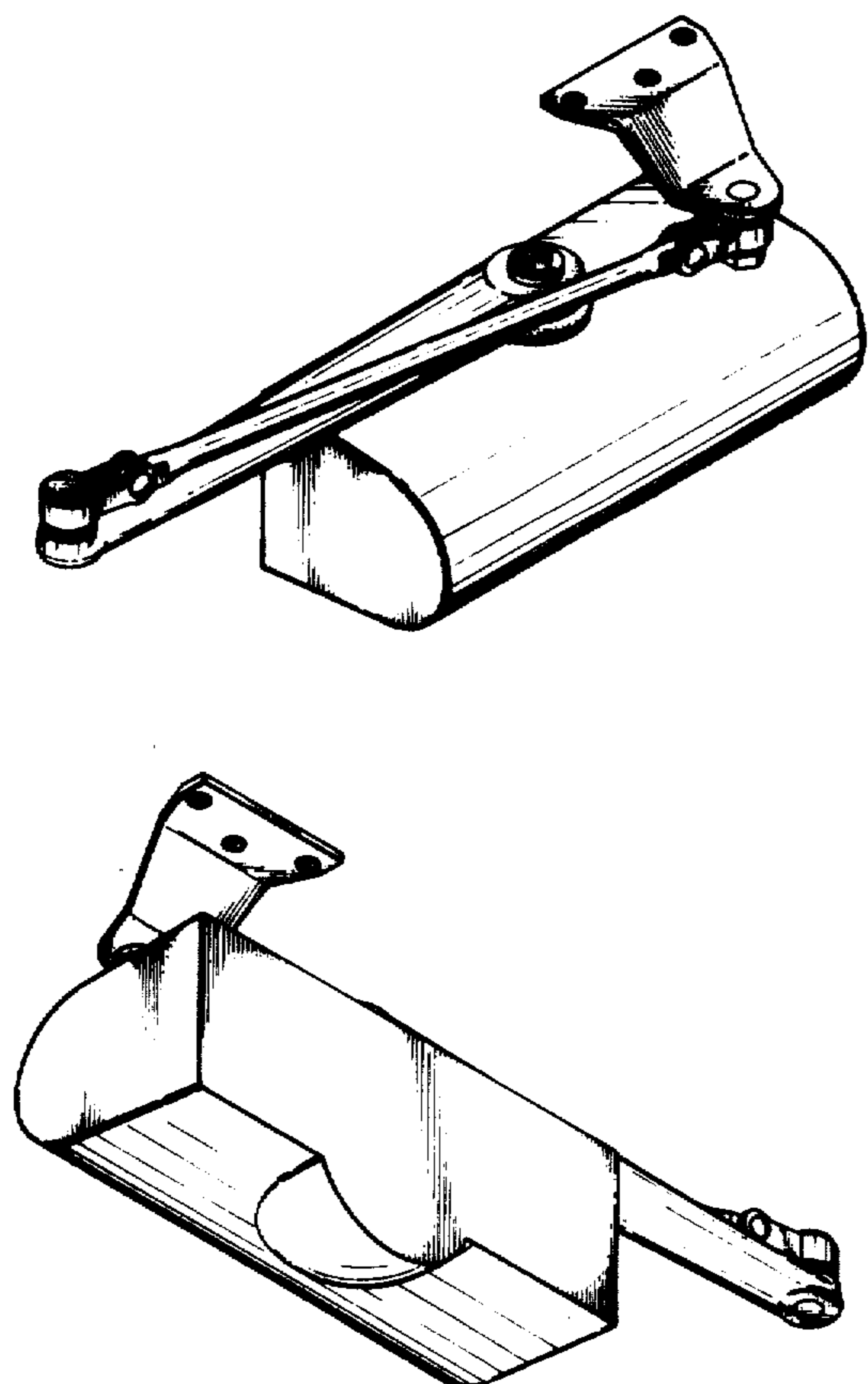


FIG. 1

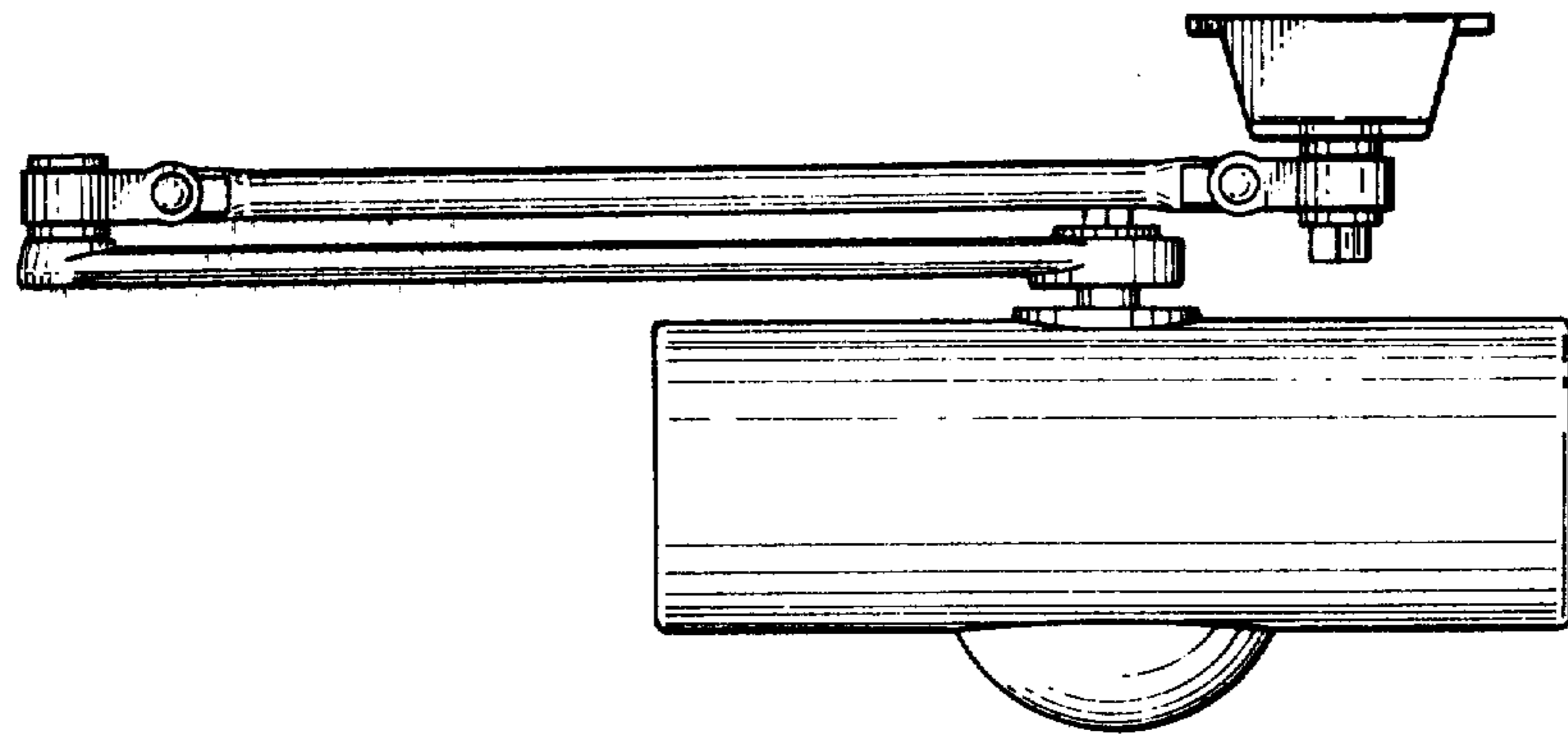


FIG. 2

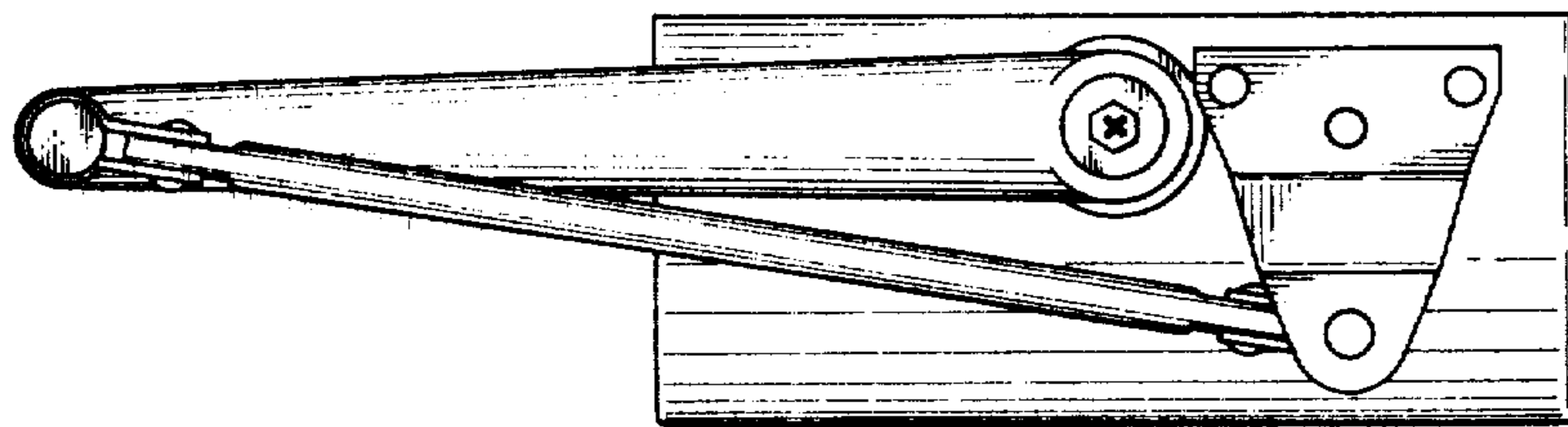


FIG. 3

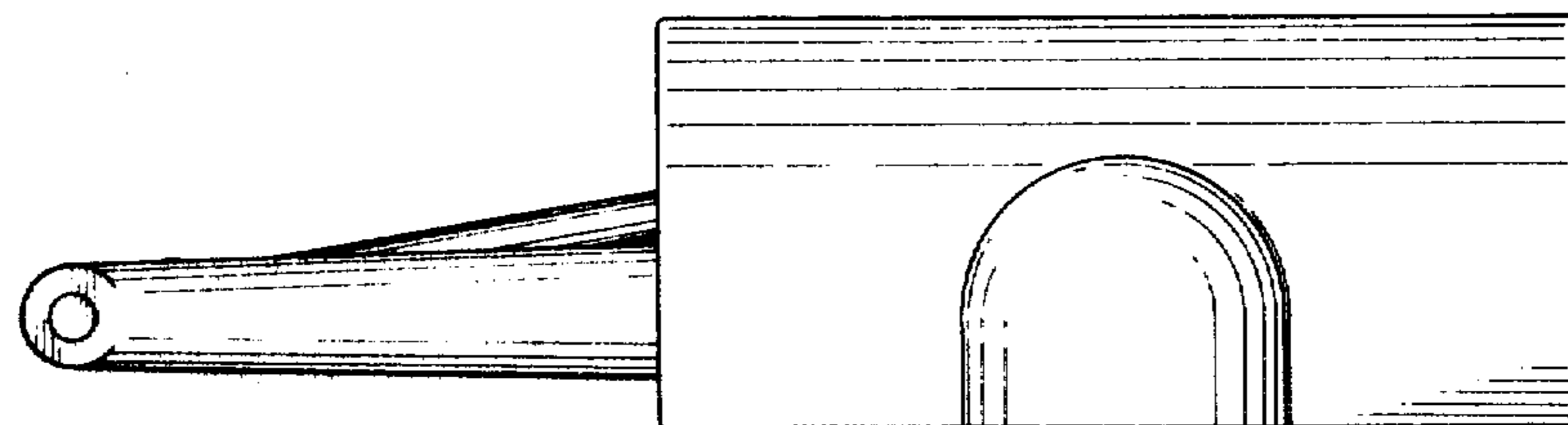


FIG. 4

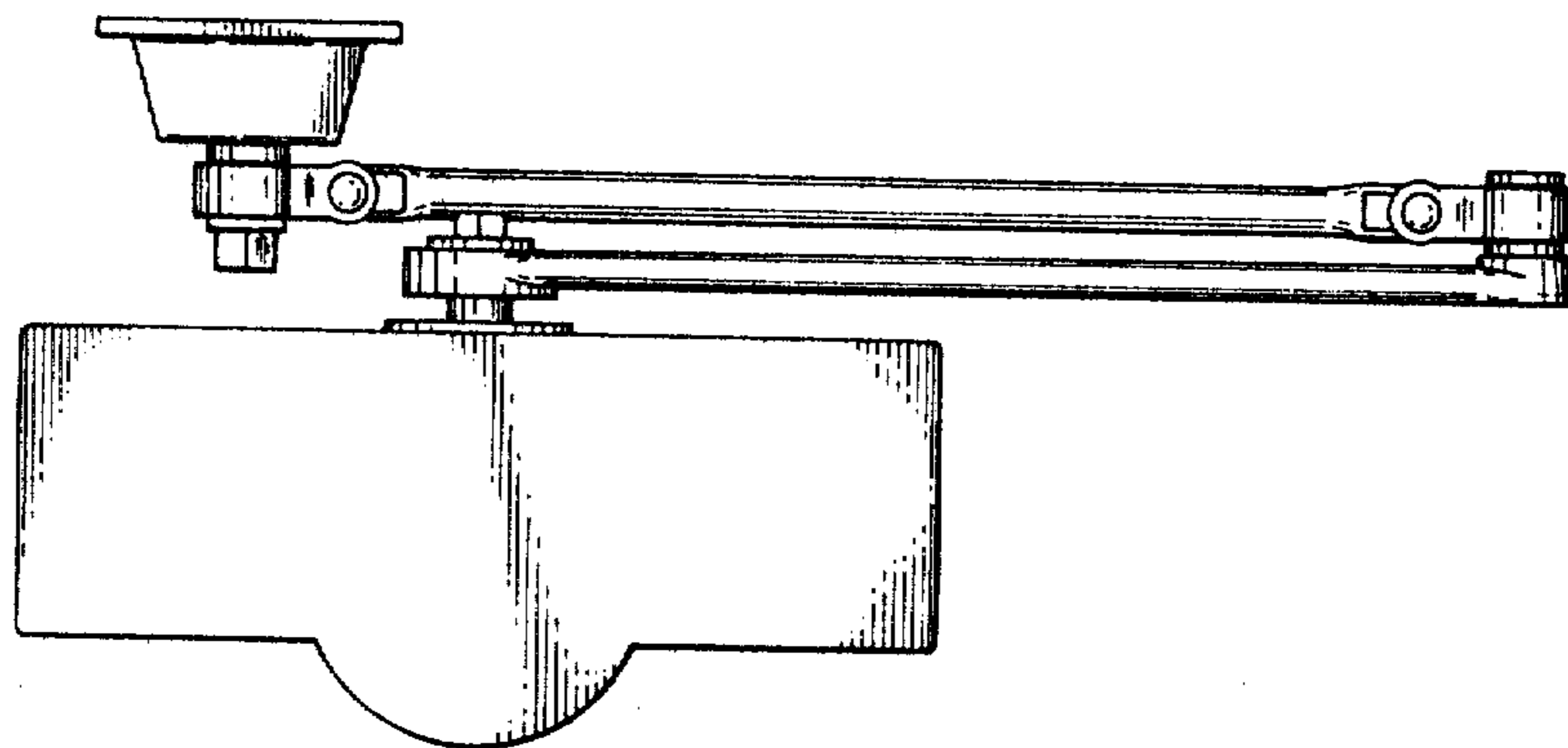


FIG. 5

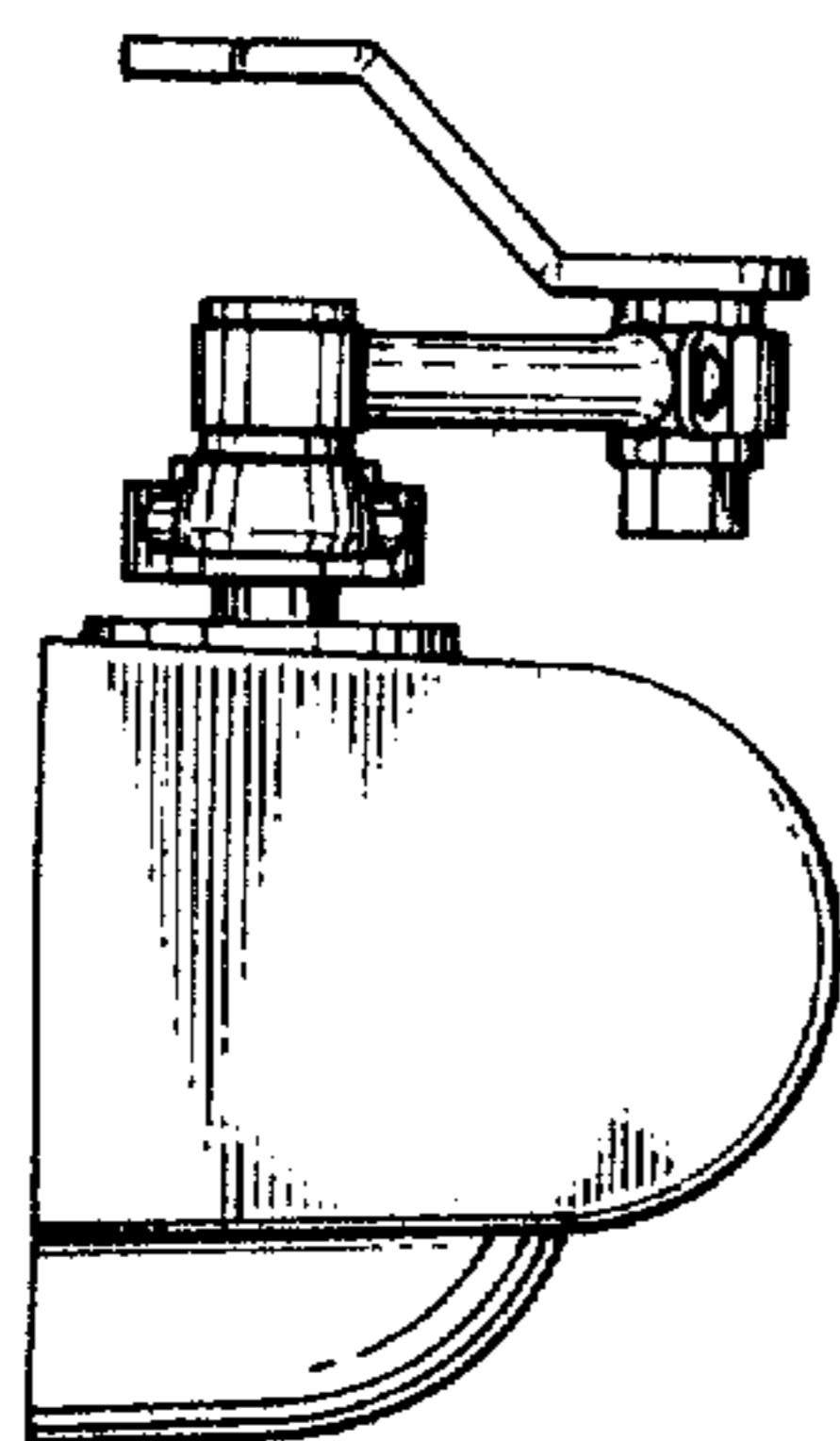


FIG. 6

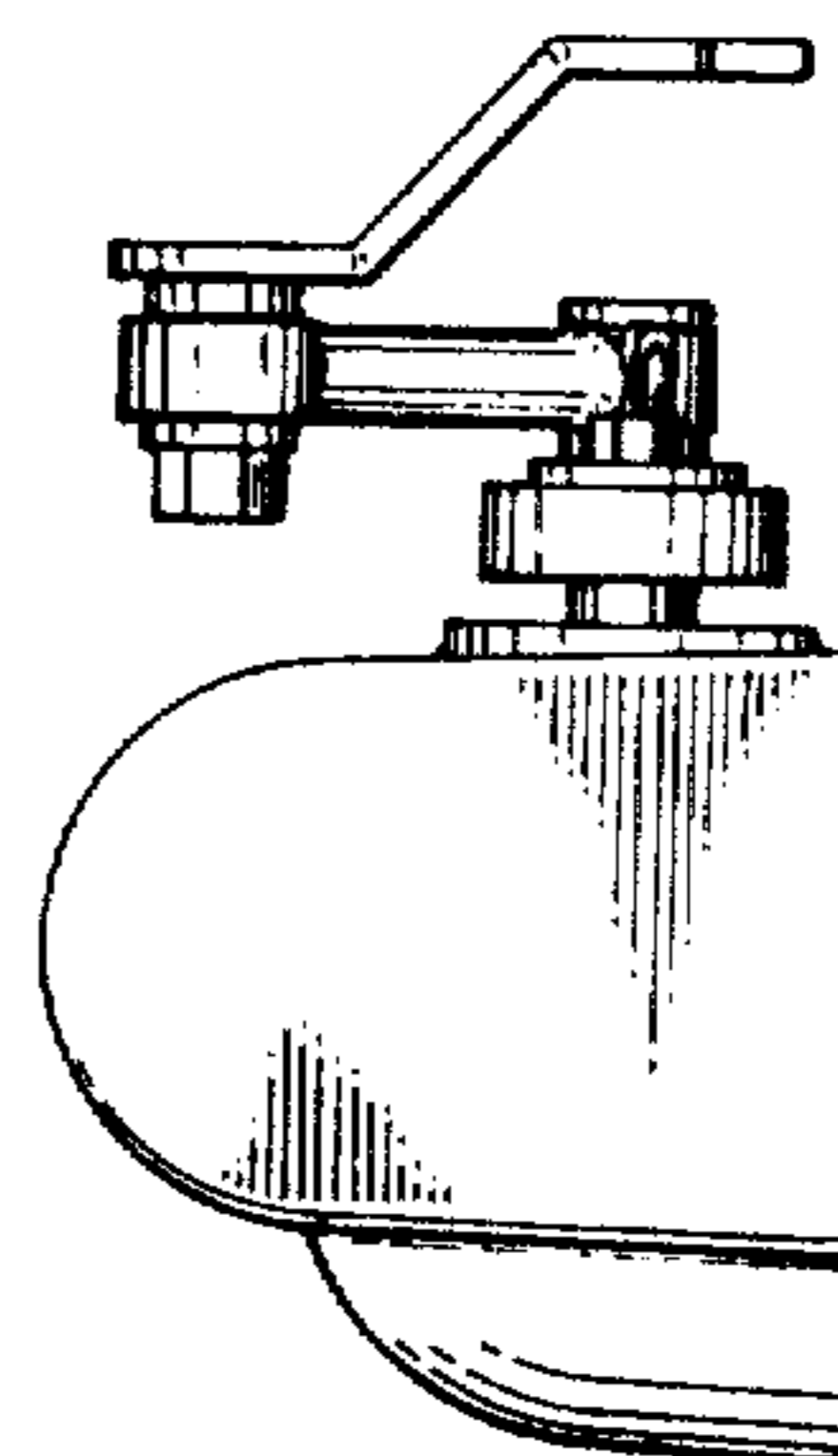


FIG. 7

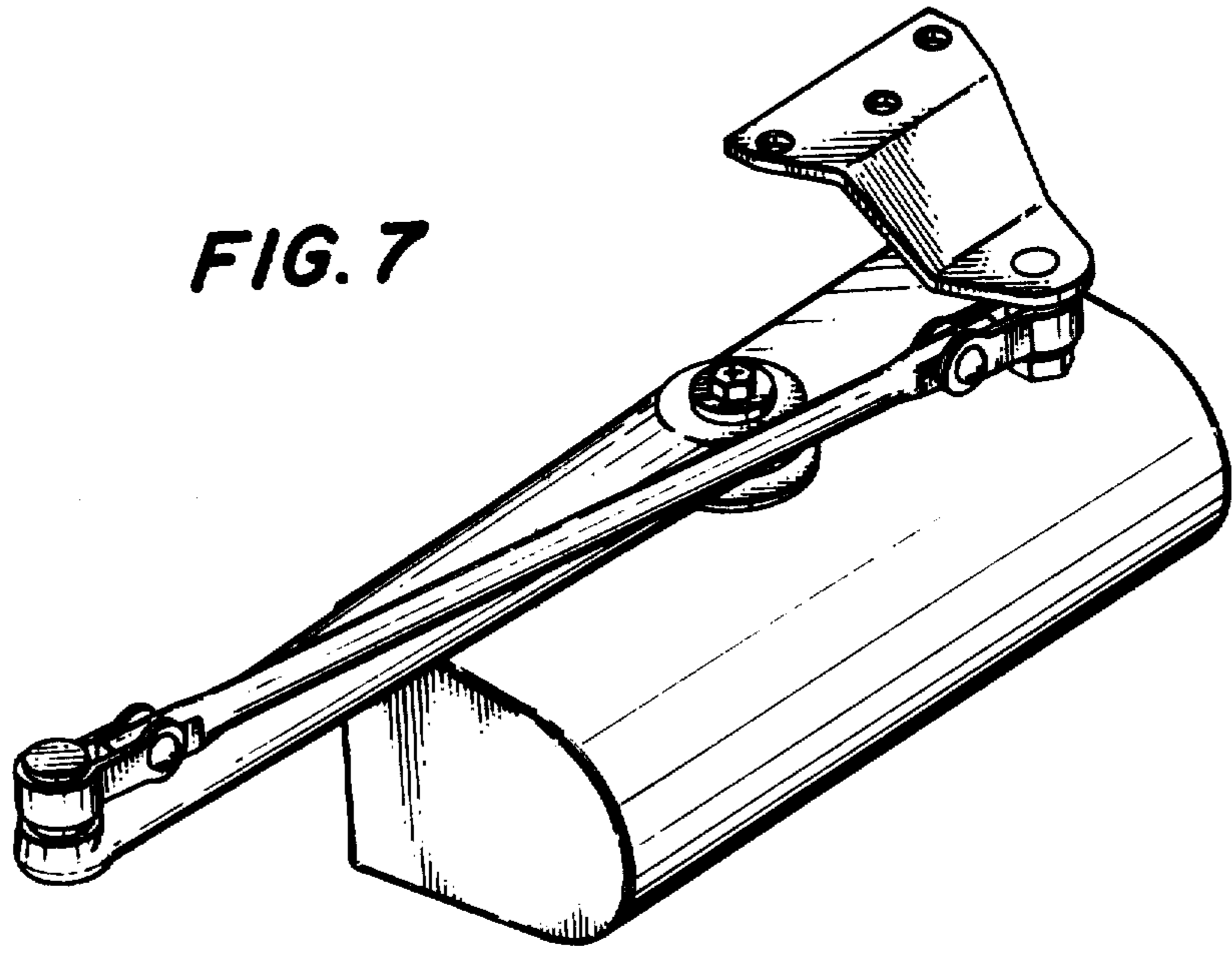


FIG. 8

