

[54] CHAIN SAW WITH HANDGUARD
 [75] Inventors: Robert McDougall, Brockville; Ian F. Norton, Toronto; Douglas G. Overbury; Colin Overy, both of Brockville, all of Canada
 [73] Assignee: Black & Decker Inc., Newark, Del.
 [**] Term: 14 Years
 [21] Appl. No.: 207,929
 [22] Filed: Nov. 18, 1980
 [52] U.S. Cl. D8/65
 [58] Field of Search D8/65; 30/381-386

4,335,514 6/1982 Overy et al. 30/382
 4,353,163 10/1982 Overbury et al. 30/123.4

Primary Examiner—Catherine E. Kemper
 Attorney, Agent, or Firm—R. B. Sherer; H. Weinstein; Charles E. Yocum

[57] CLAIM

The ornamental design for a chain saw with handguard, substantially as shown and described.

DESCRIPTION

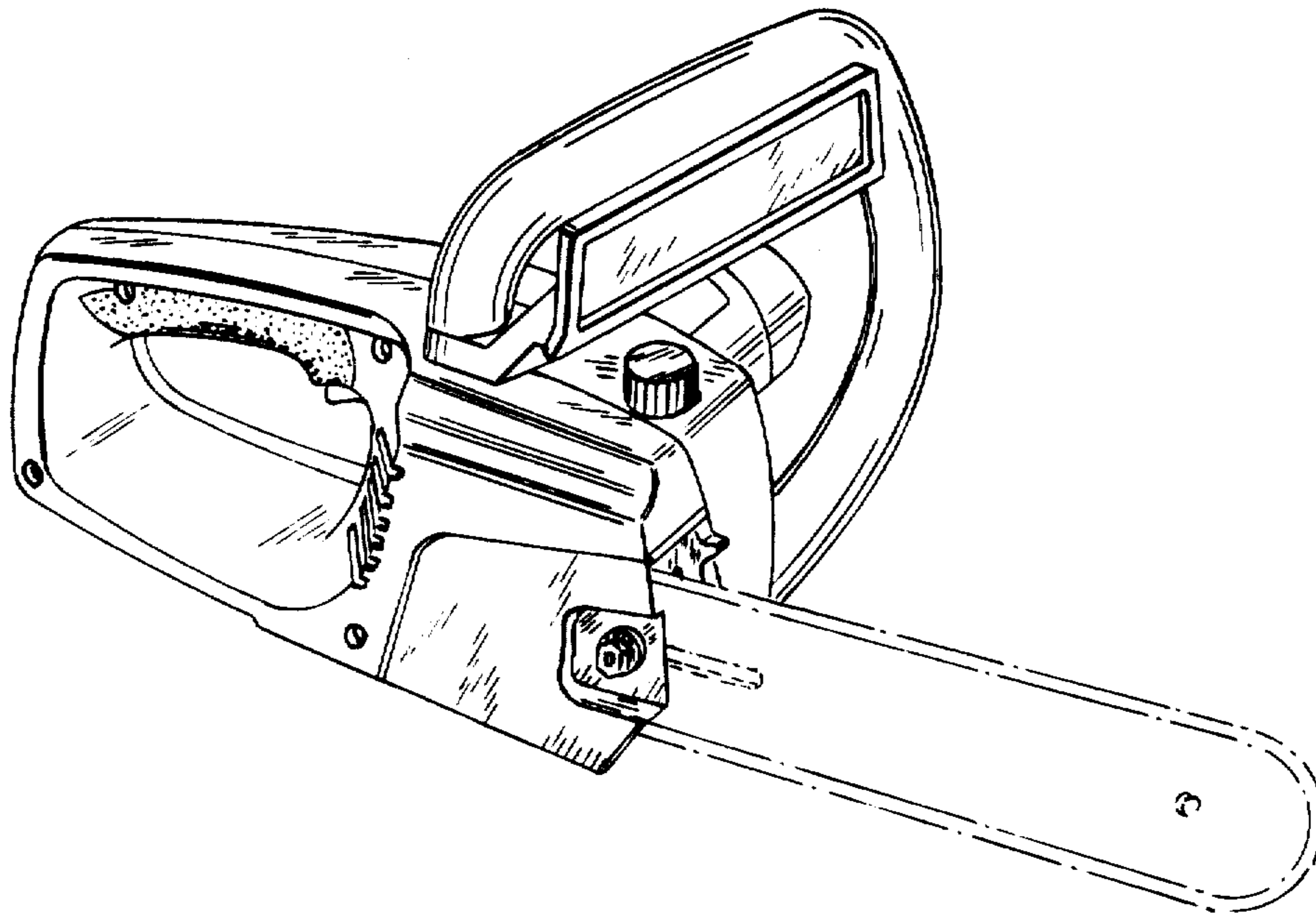
FIG. 1 is a top front perspective view of a chain saw with handguard, showing our new design;
 FIG. 2 is a left side elevational view thereof;
 FIG. 3 is a right side elevational view thereof;
 FIG. 4 is a top plan view thereof;
 FIG. 5 is a bottom plan view thereof;
 FIG. 6 is a rear elevational view thereof;
 FIG. 7 is a front elevational view thereof.

The broken line disclosure shown in all views is for illustrative purposes only and forms no part of the claimed design.

[56] References Cited

U.S. PATENT DOCUMENTS

- D. 223,600 5/1972 Averitt D8/65
- D. 230,006 1/1974 Guthrie et al. D8/65
- D. 233,725 11/1974 Guthrie et al. D8/65
- D. 237,352 10/1975 Shymkus D8/65



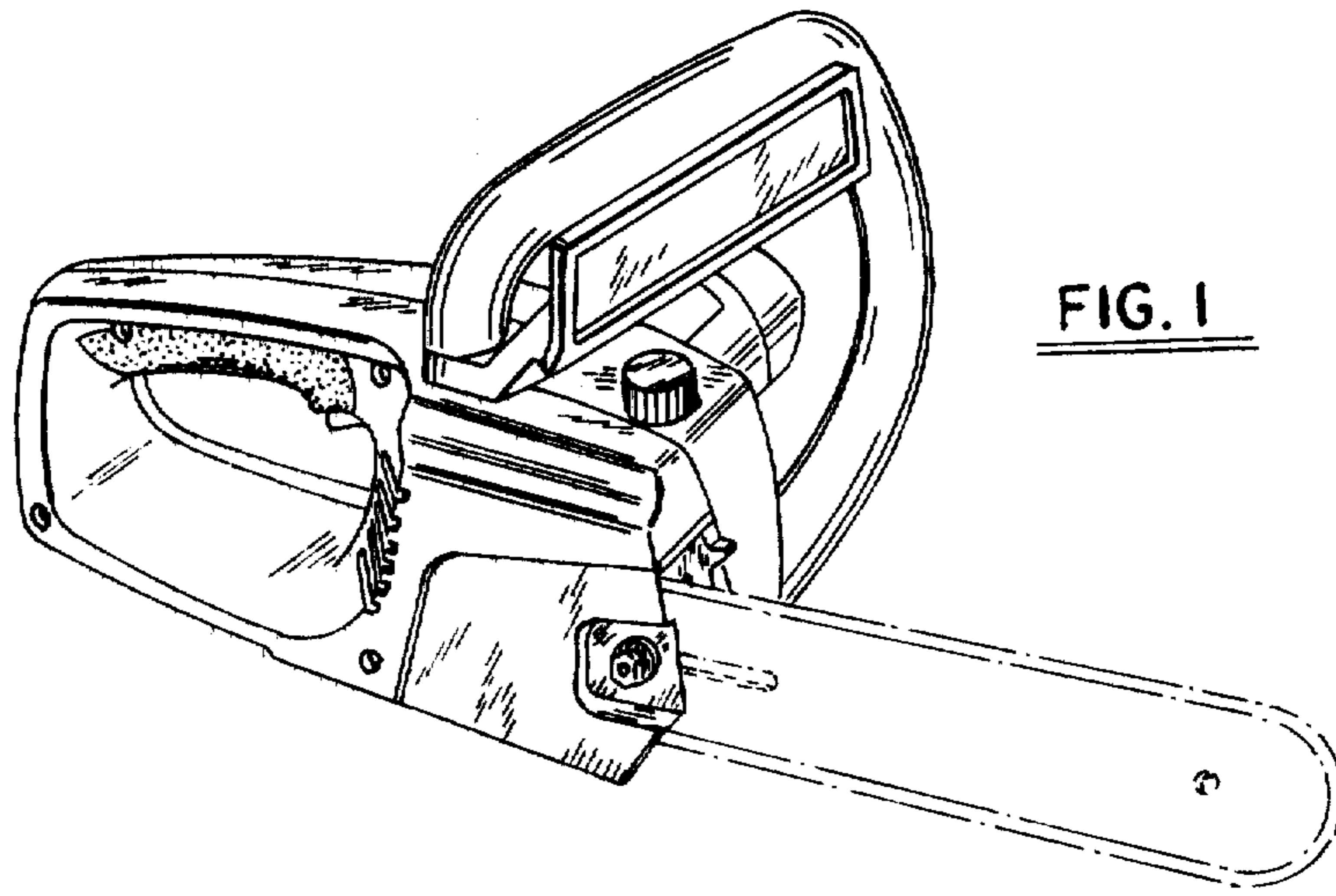


FIG. 1

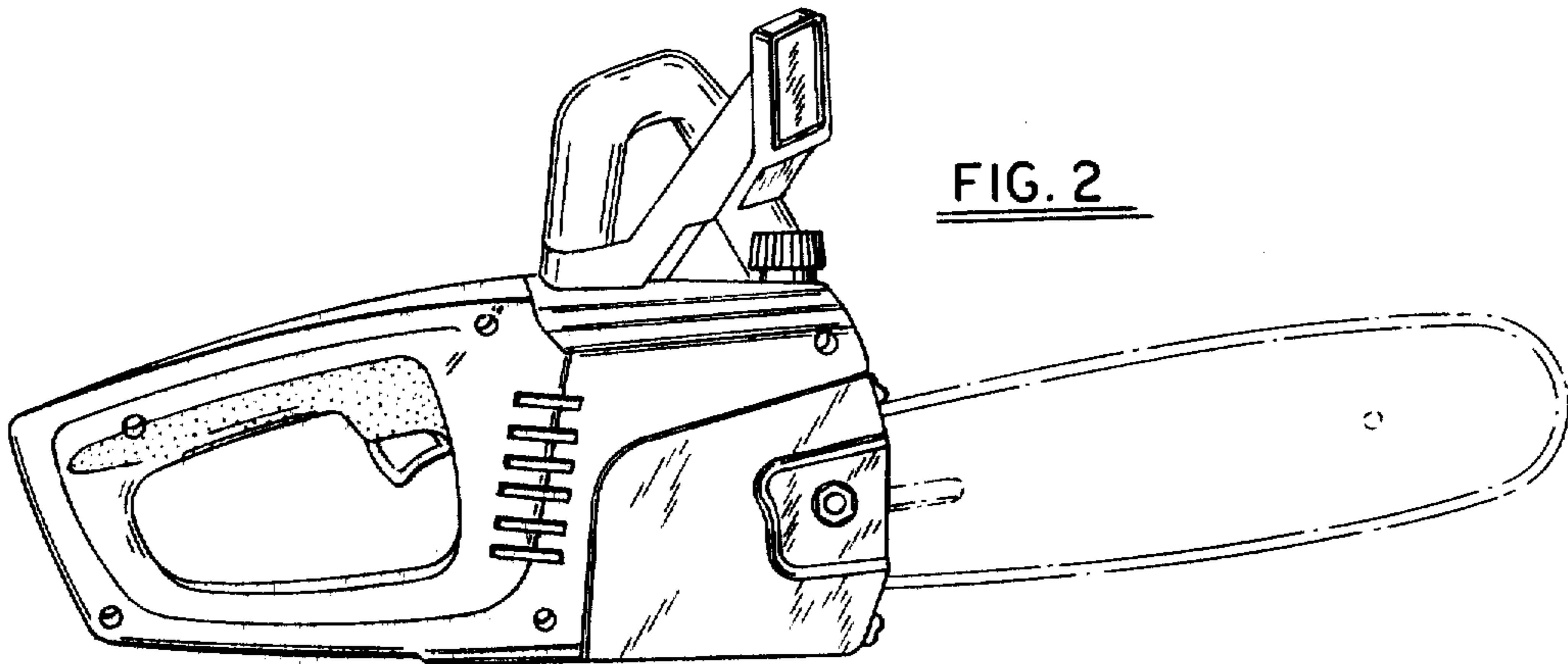


FIG. 2

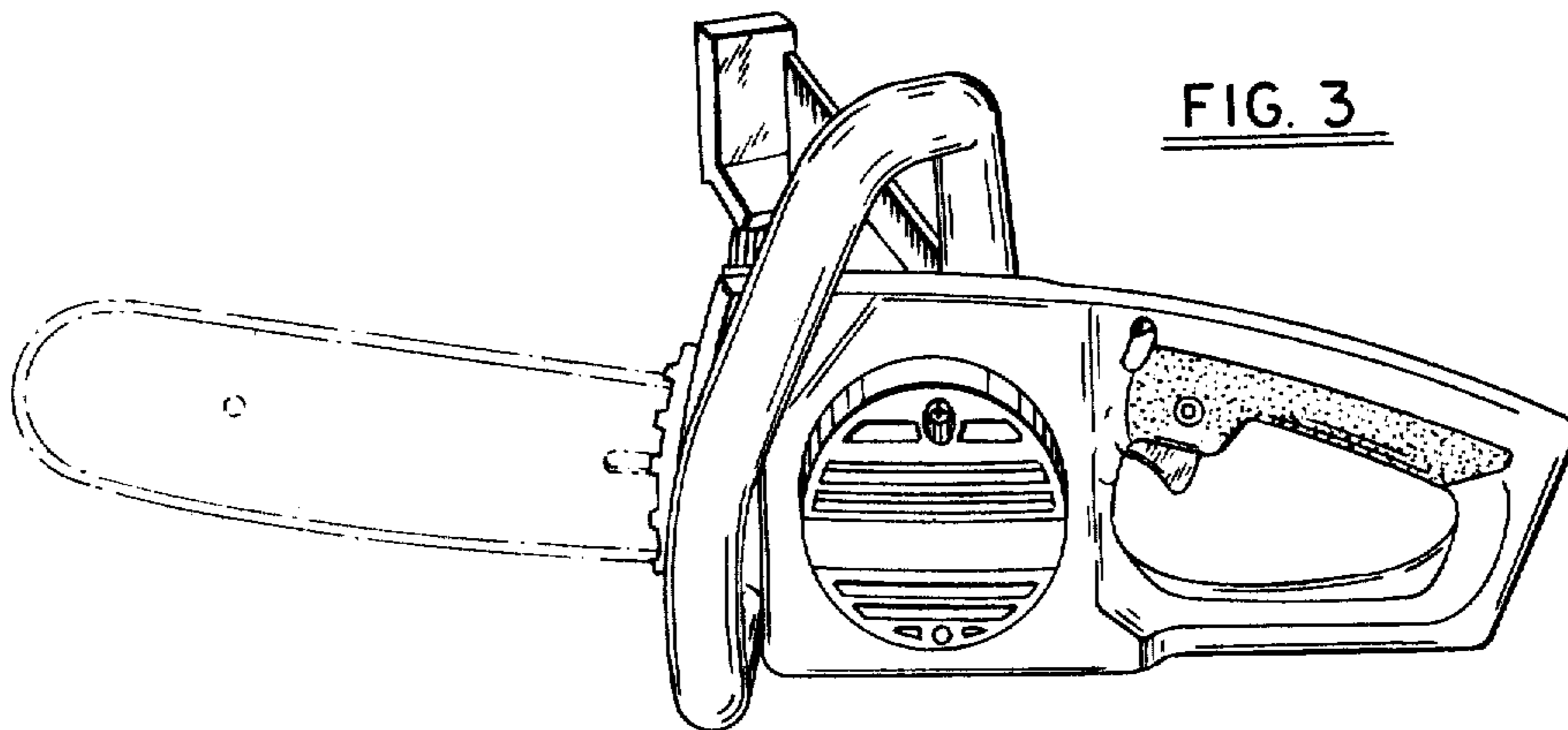


FIG. 3

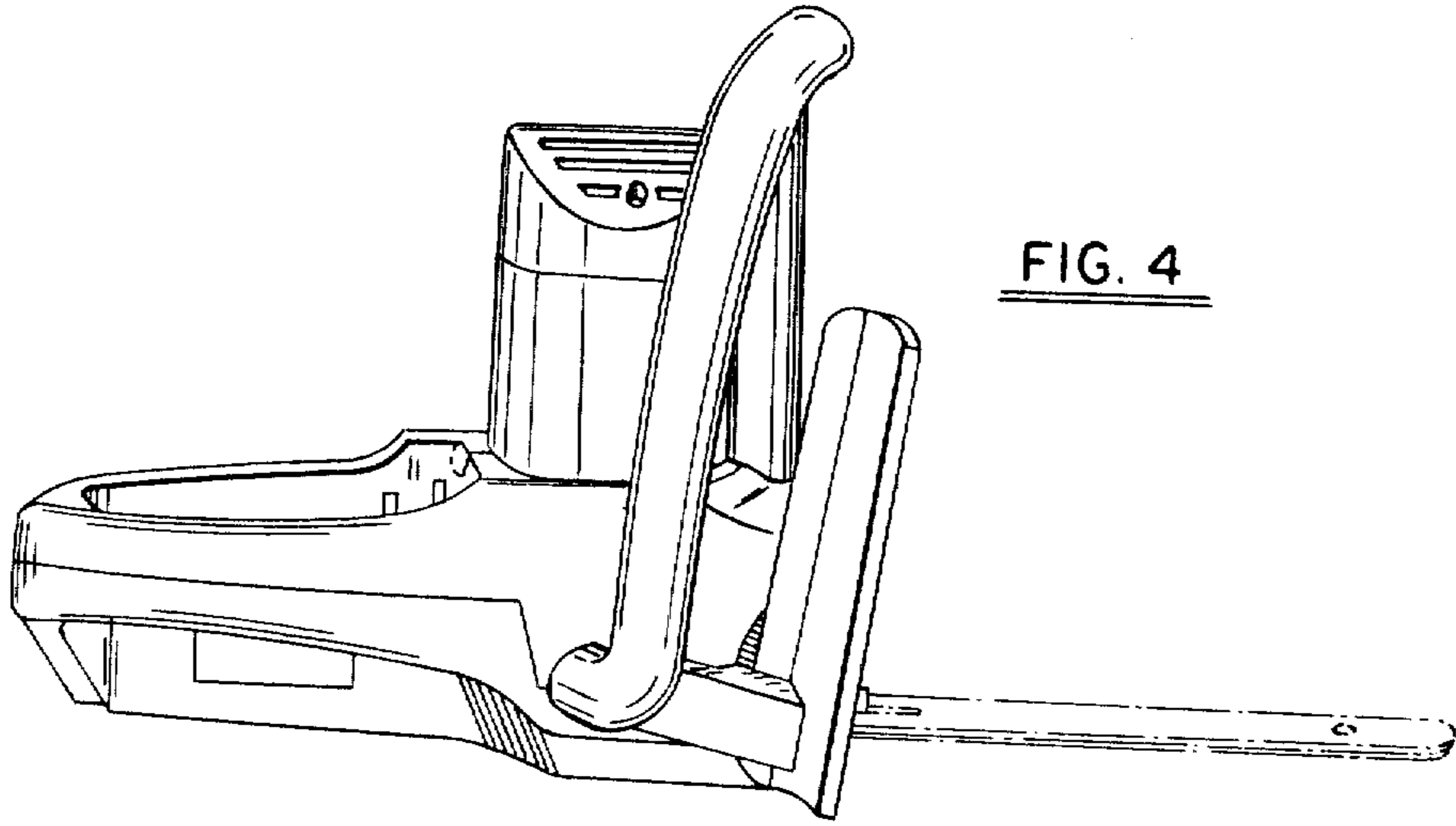


FIG. 4

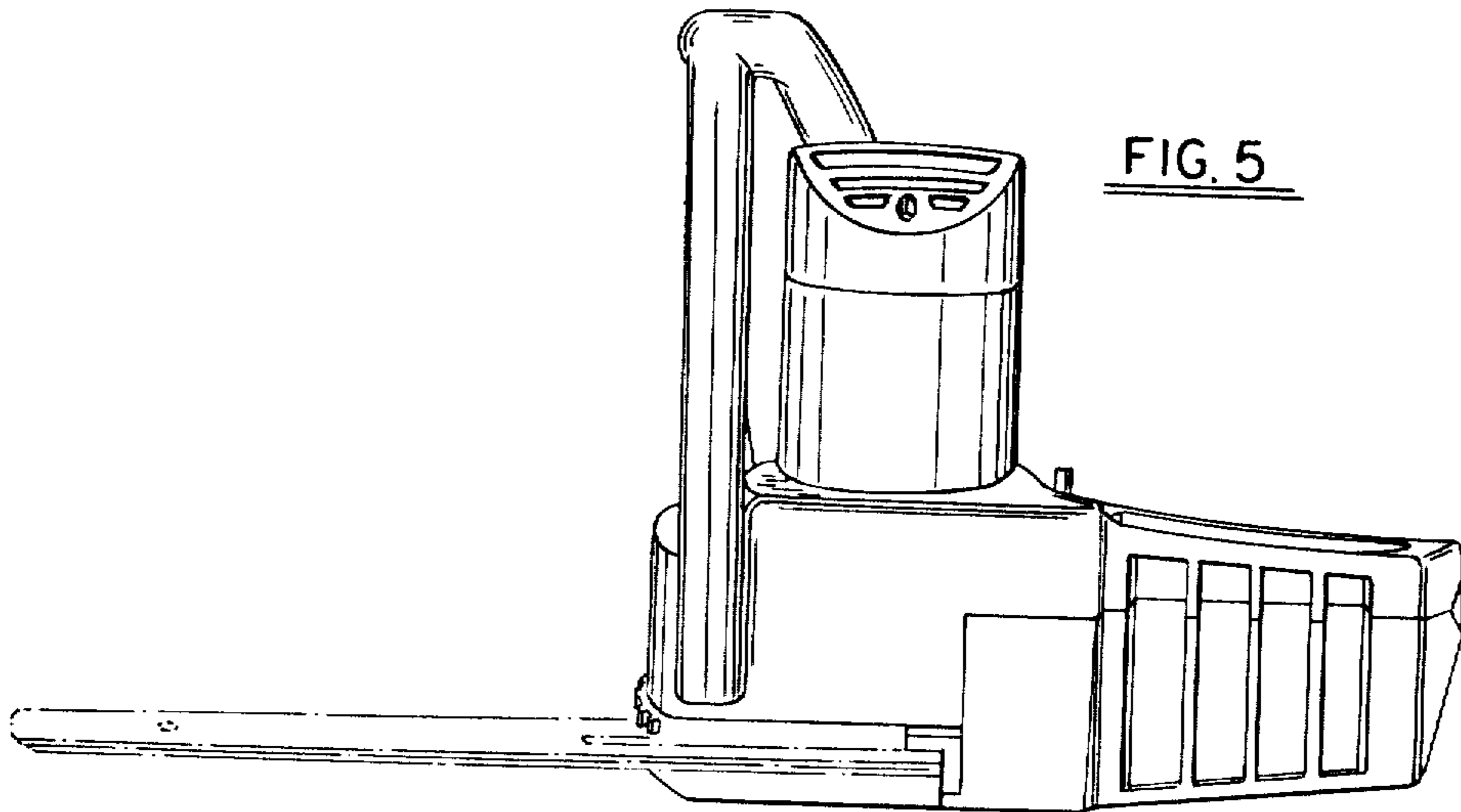


FIG. 5

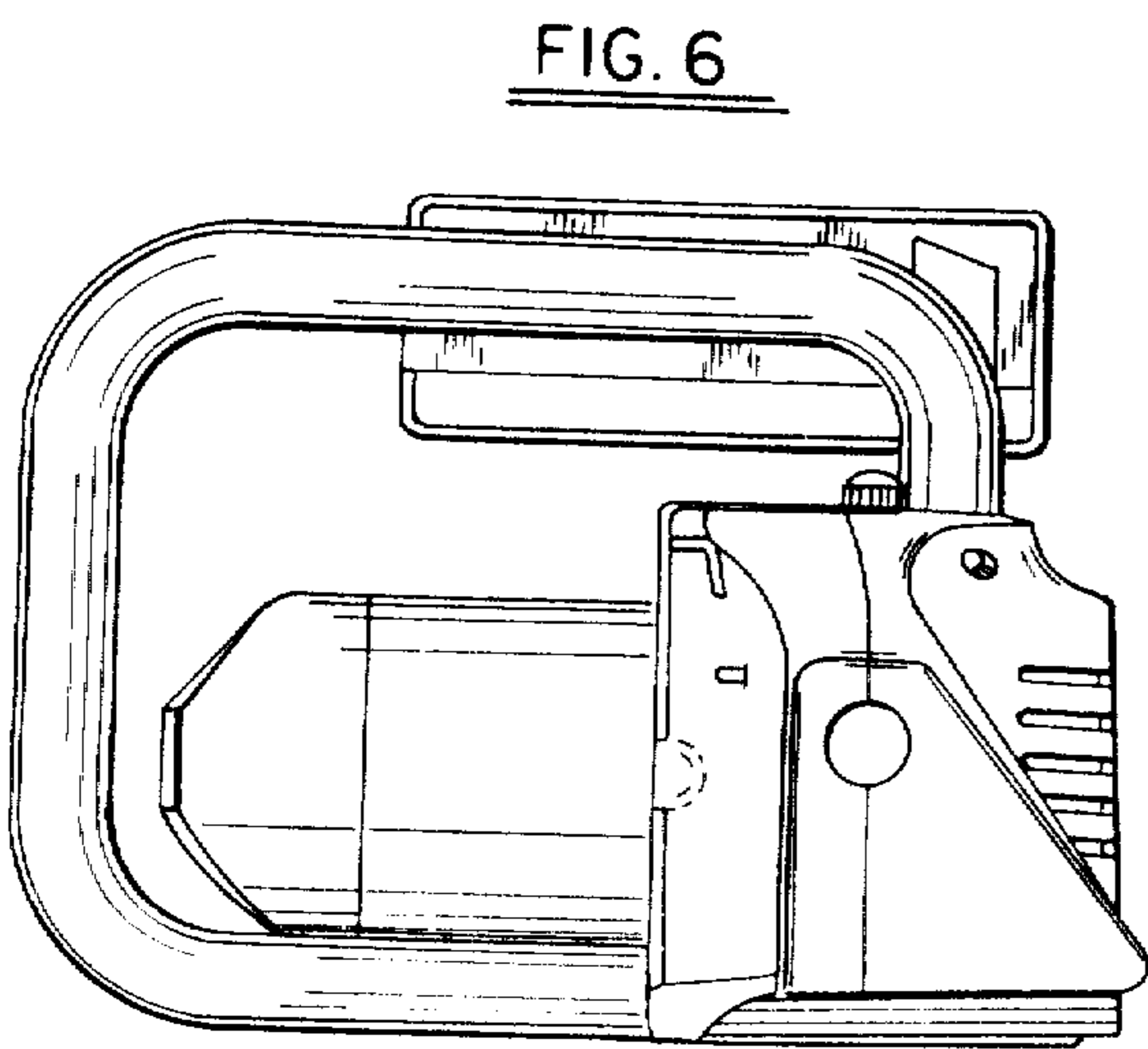


FIG. 6

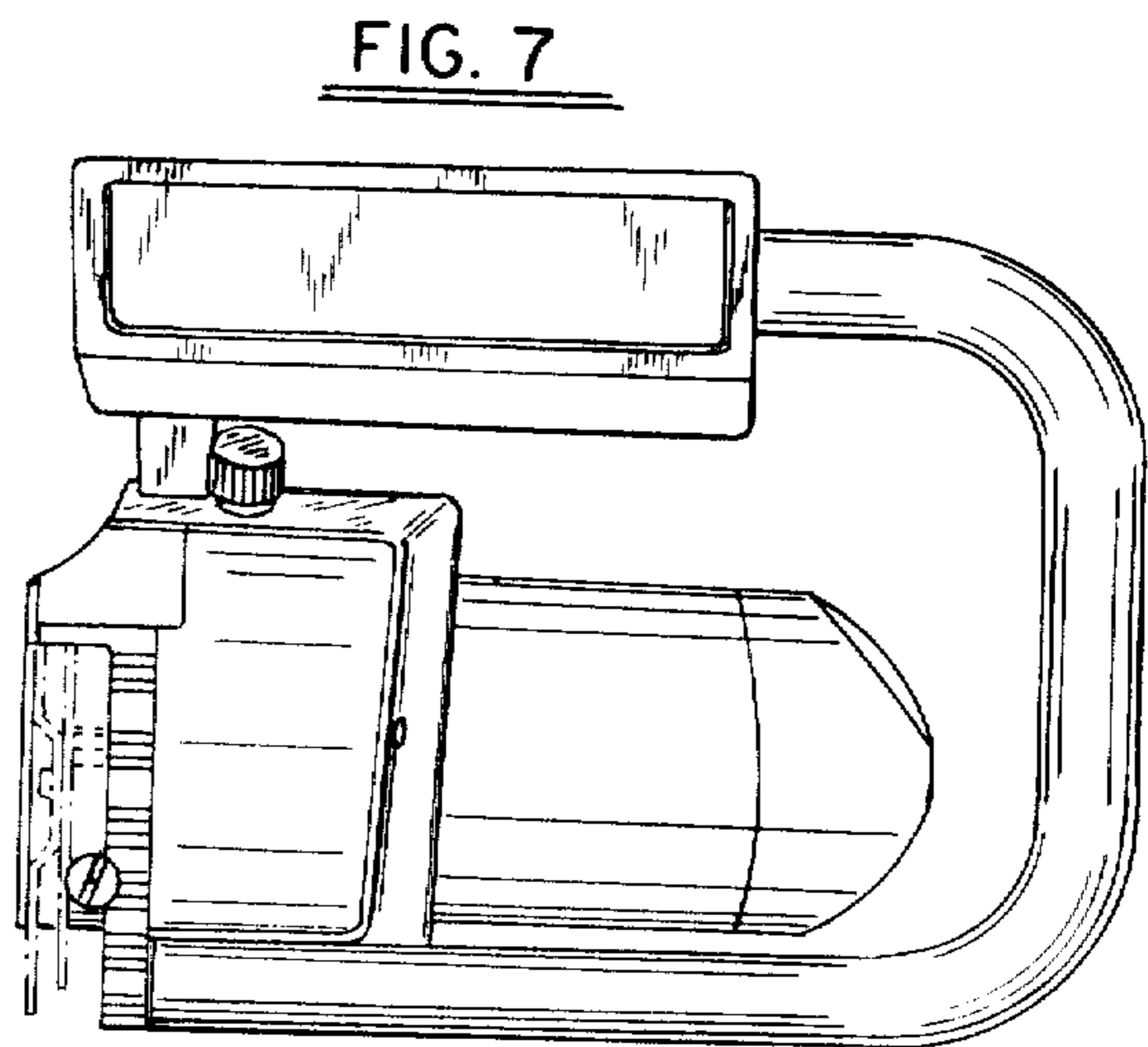


FIG. 7