

[54] SUSPENDED WINE BOTTLE AND GLASS RACK COMBINATION

[76] Inventors: Carl A. Rankin; Douglas B. Rankin, both of 29075 Buchanan Dr., Bay Village, Ohio 44140

[\*\*] Term: 14 Years

[21] Appl. No.: 332,493

[22] Filed: Dec. 21, 1981

[52] U.S. Cl. .... D6/113; D6/157; D7/71

[58] Field of Search ..... D6/113, 157; D7/71; 211/13, 74, 75, 113, 118; 248/317

[56] References Cited

U.S. PATENT DOCUMENTS

D. 182,395	4/1958	Ahlenius	.....	D7/71
D. 266,215	9/1982	Bratton	.....	D7/71
4,254,881	3/1981	Hard	.....	211/71
4,327,836	5/1982	Okuno	.....	211/113

OTHER PUBLICATIONS

House Beautiful, 4/74, p. 38; Shadowbox Wine and Glass Rack, (right of center).

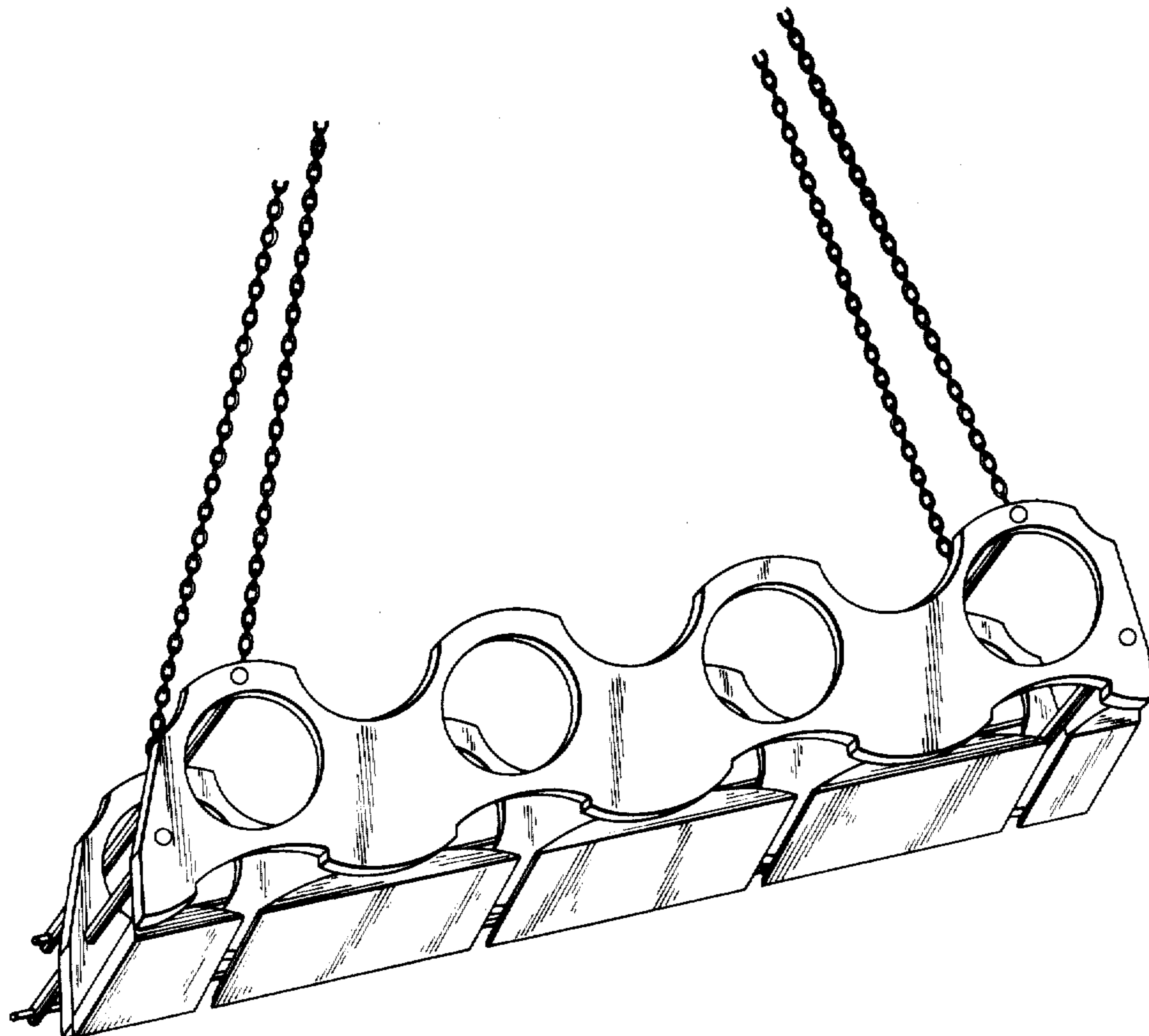
Primary Examiner—B. J. Bullock  
Attorney, Agent, or Firm—Pearne, Gordon, Sessions, McCoy, Granger & Tilberry

[57] CLAIM

The ornamental design for a suspended wine bottle and glass rack combination, as shown and described.

DESCRIPTION

FIG. 1 is a perspective view of a suspended wine bottle and glass rack combination embodying our new design; FIG. 2 is a top plan view thereof with the chains shown broken away for ease of illustration; FIG. 3 is a front elevational view of FIG. 2; FIG. 4 is a bottom plan view of FIG. 2; FIG. 5 is a side elevational view taken from the left of FIG. 3, the glasses and a portion of a bottle are shown in broken lines for illustrative purposes only.



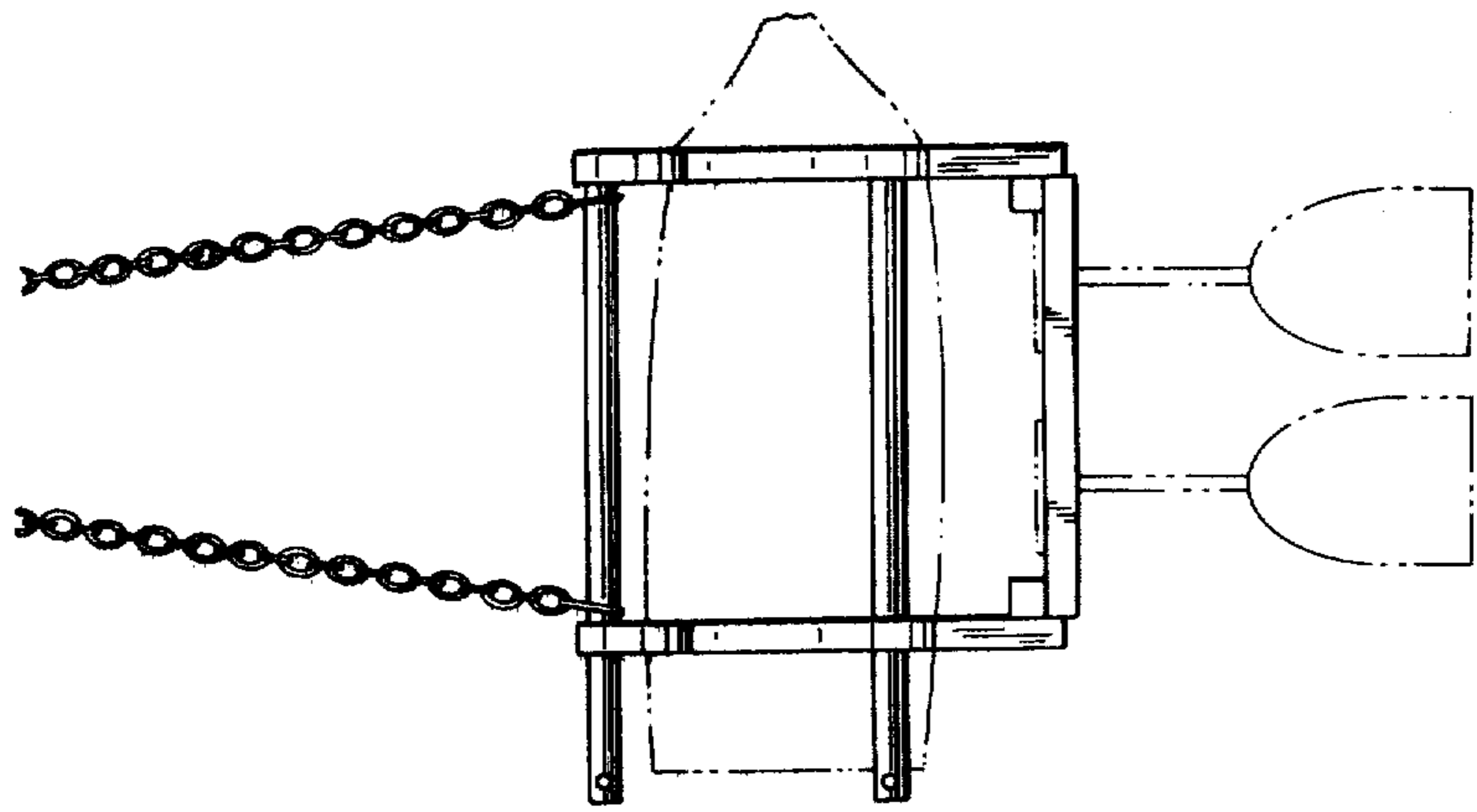


FIG. 5

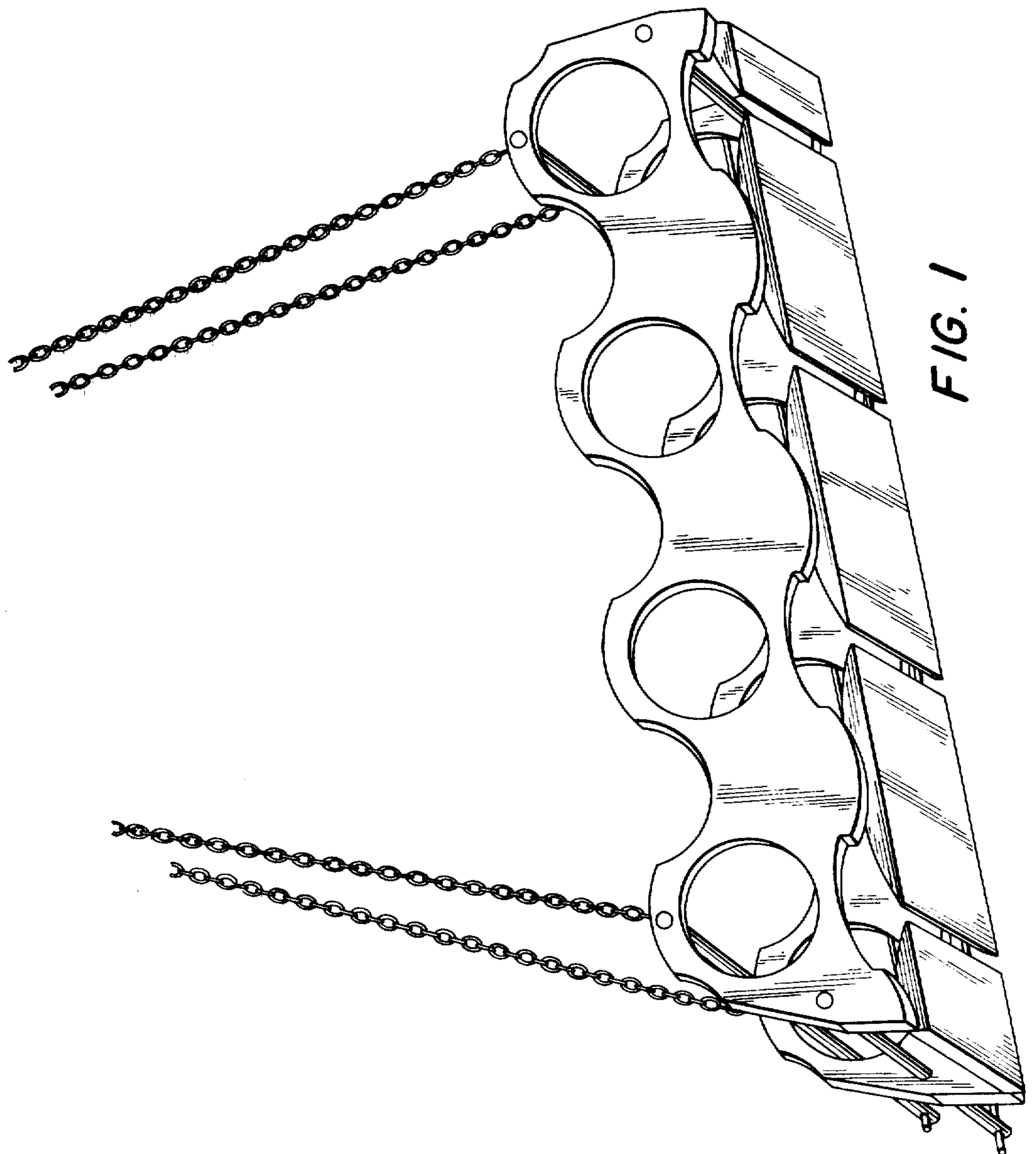


FIG. 1

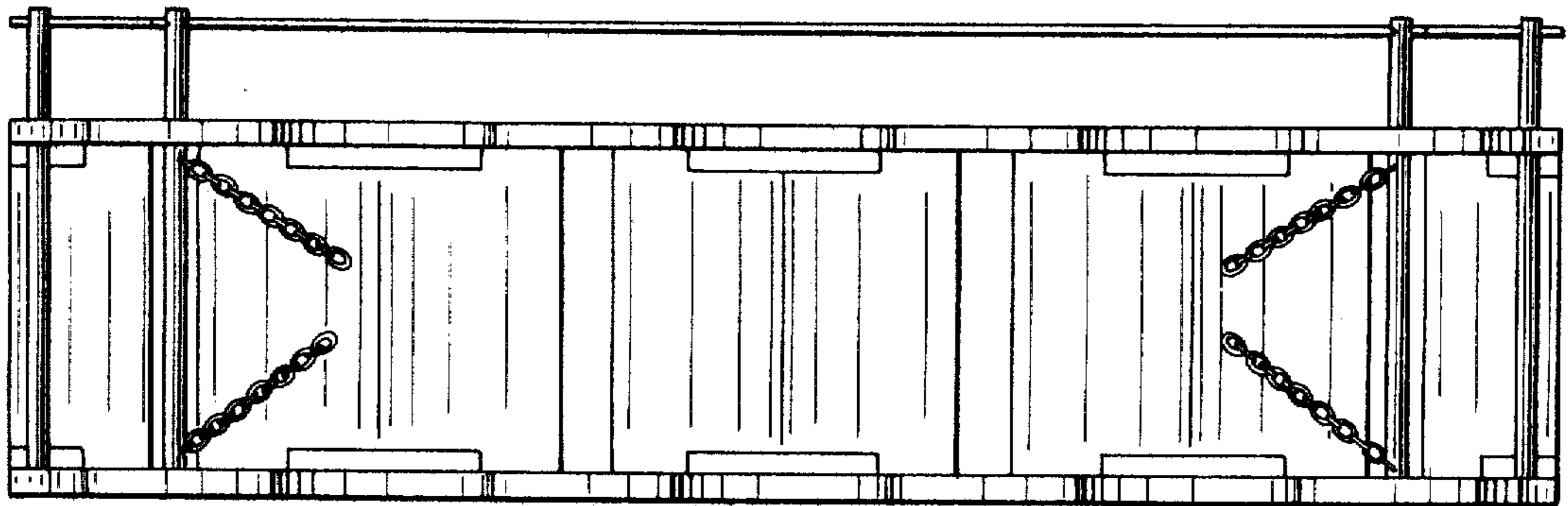


FIG. 2

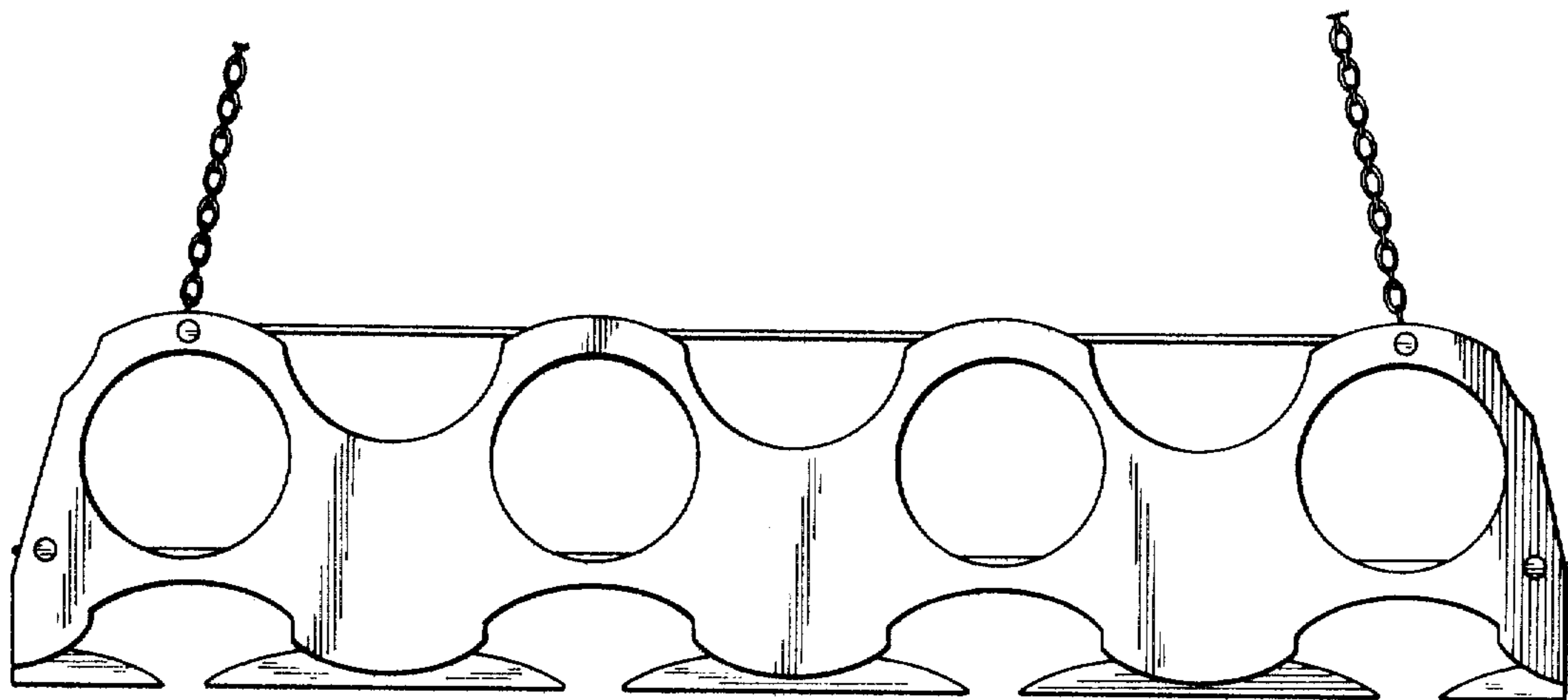


FIG. 3

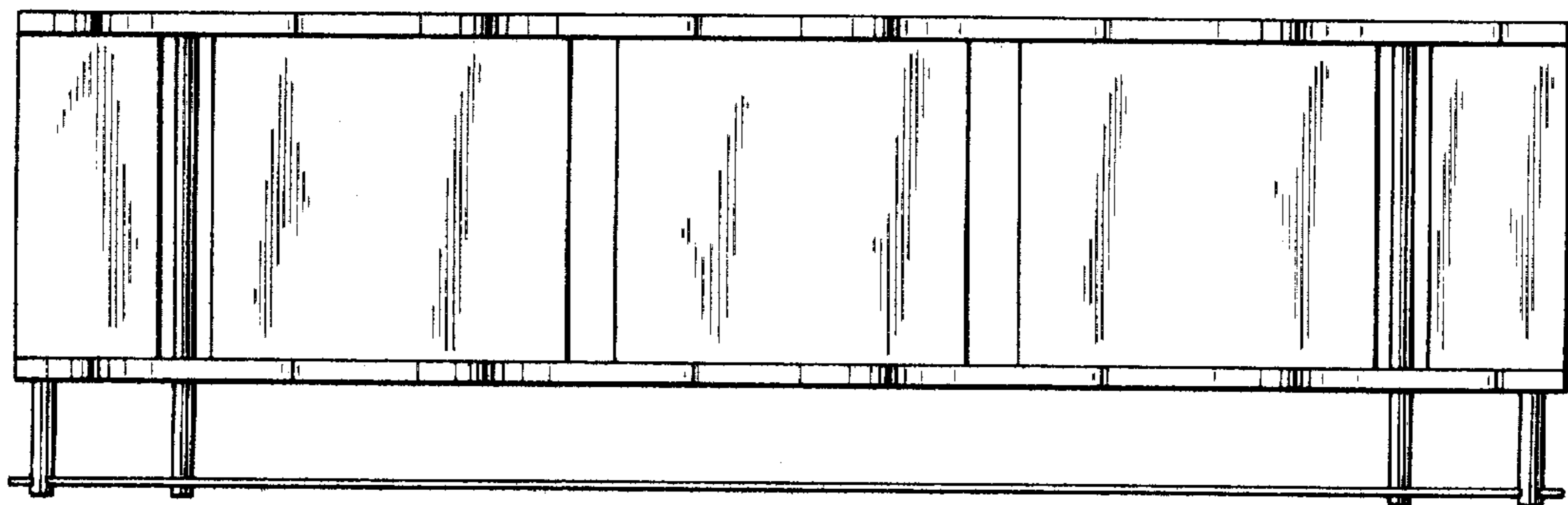


FIG. 4