

[54] AUTOMOBILE TRAY

3,899,982 8/1975 Fetzek ..... 108/45

[76] Inventor: Warren C. Schroeder, Gellett Suite C-603, 2400 Virginia Ave. NW., Washington, D.C. 20037

Primary Examiner—James M. Gandy

[\*\*] Term: 14 Years

[57] CLAIM

The ornamental design for an automobile tray, as shown.

[21] Appl. No.: 254,090

DESCRIPTION

[22] Filed: Apr. 14, 1981

[52] U.S. Cl. .... D3/40

[58] Field of Search ..... D12/155; D3/40; D7/71; 108/44, 45, 46; 224/42.42, 273, 281; 296/37.8, 37.12, 37.13

FIG. 1 is a top plan view of an automobile tray showing my new design;

FIG. 2 is a side elevational view thereof;

FIG. 3 is a bottom plan view thereof;

FIG. 4 is a greatly enlarged fragmentary sectional view taken along line 4—4 in FIG. 2;

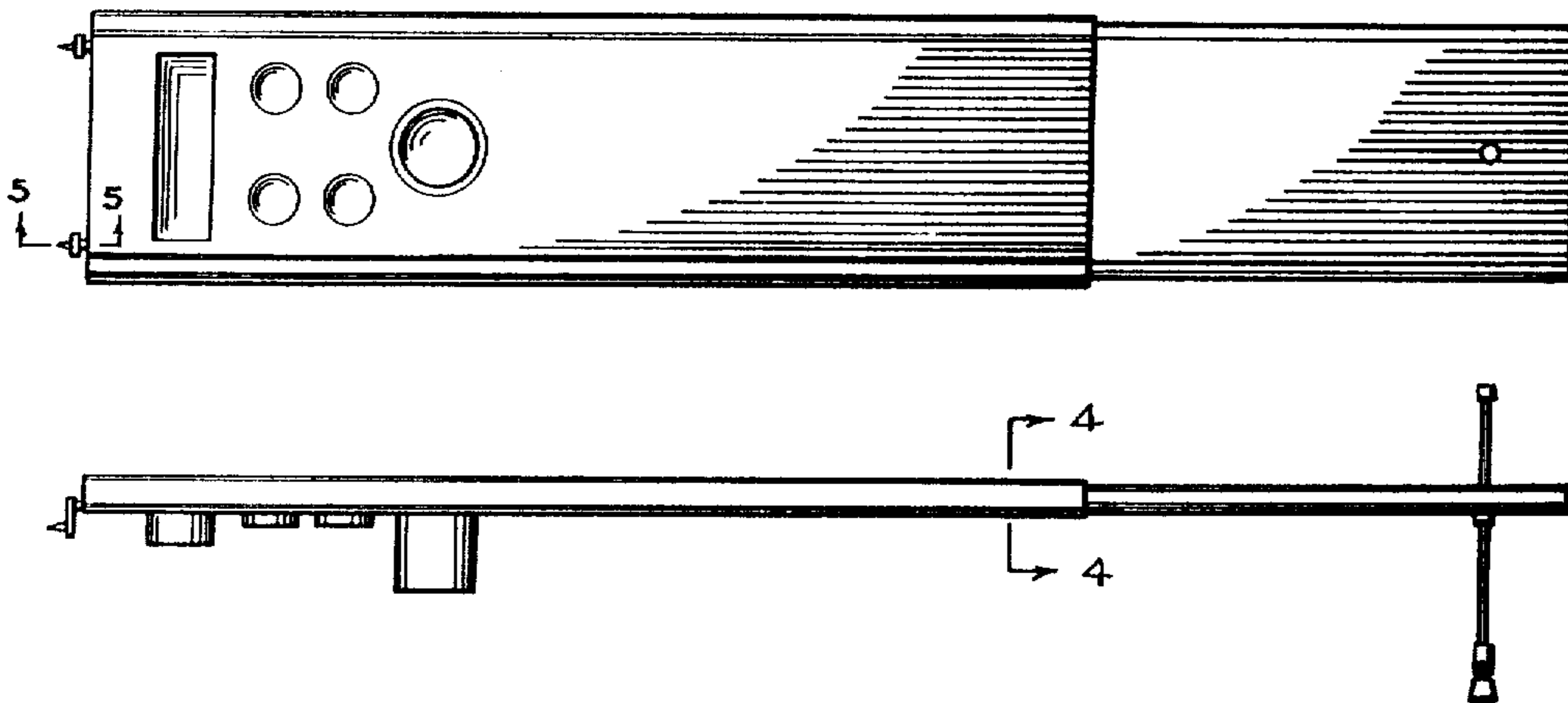
FIG. 5 is a greatly enlarged fragmentary sectional view taken along line 5—5 in FIG. 2 showing one of the mounting brackets thereof; and

FIG. 6 is a fragmentary sectional view taken along line 6—6 in FIG. 5.

[56] References Cited

U.S. PATENT DOCUMENTS

D. 211,333	6/1968	Graham	.....	D3/40
2,745,705	5/1956	Morgan	.....	108/45
2,791,476	5/1957	Atwill	.....	108/45



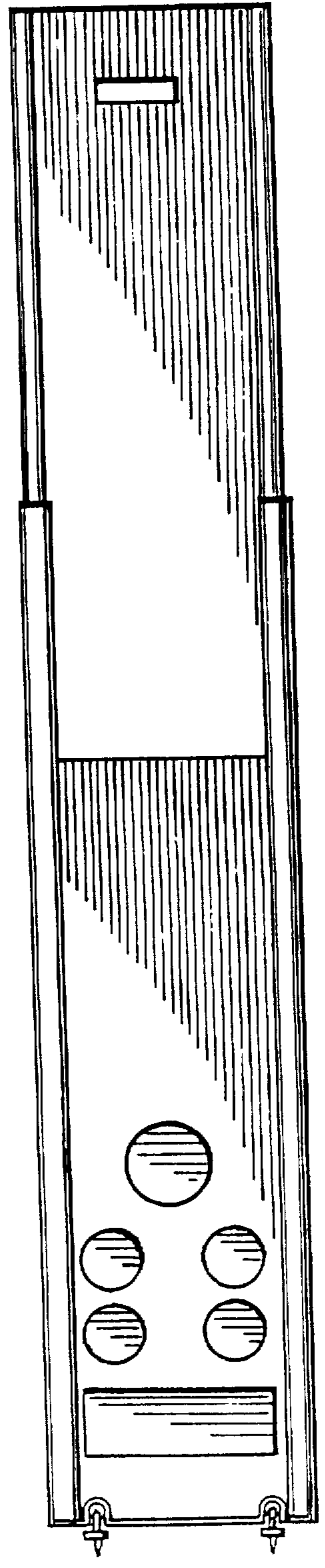
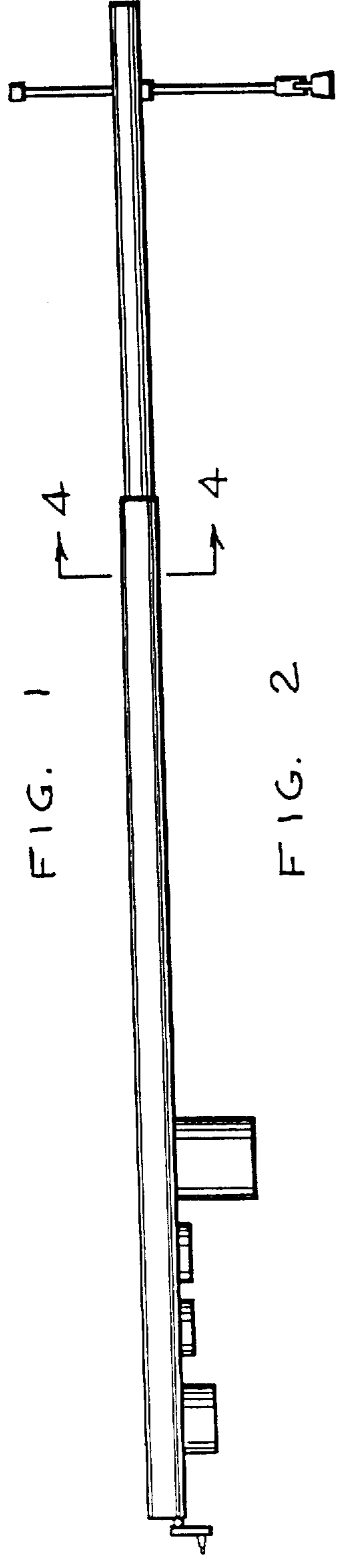
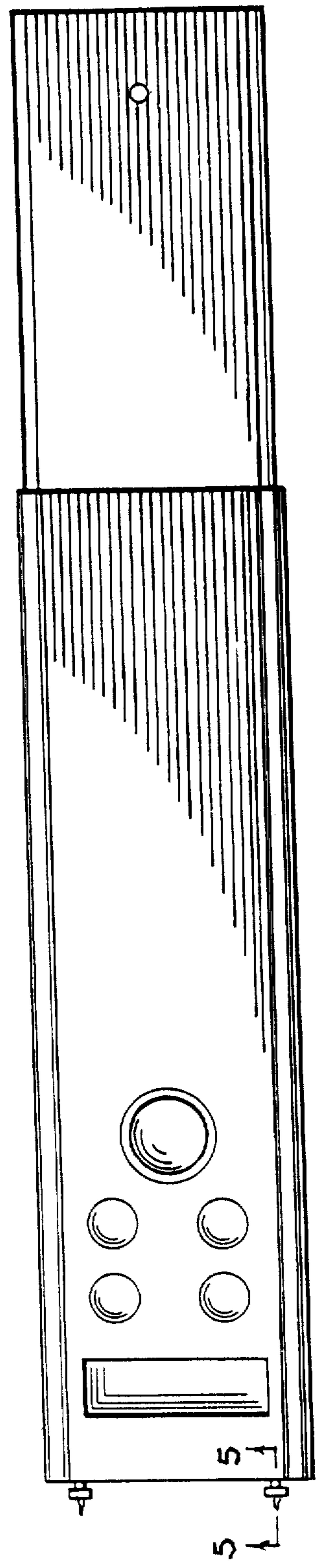


FIG. 1

FIG. 2

FIG. 3

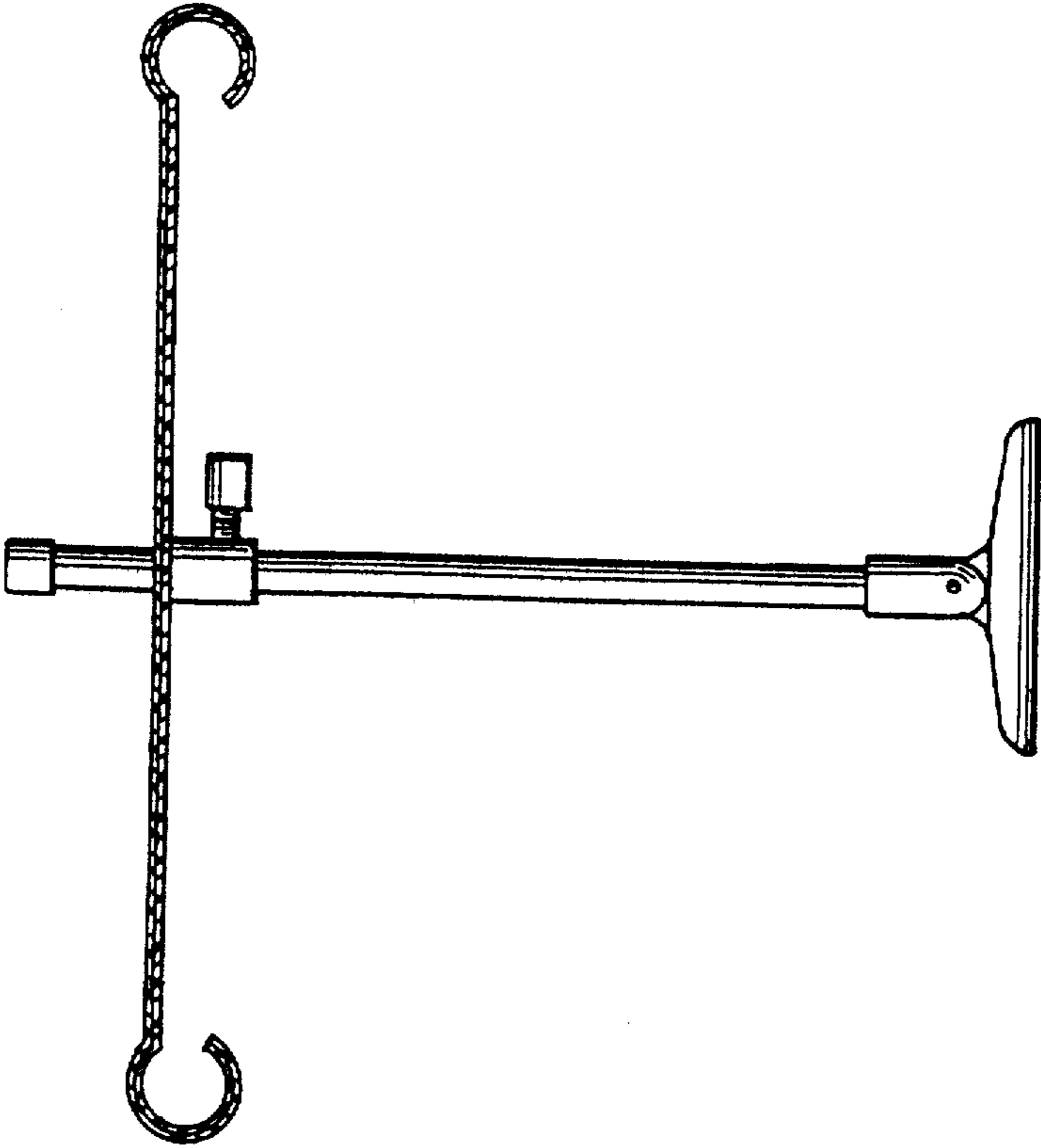


FIG. 4

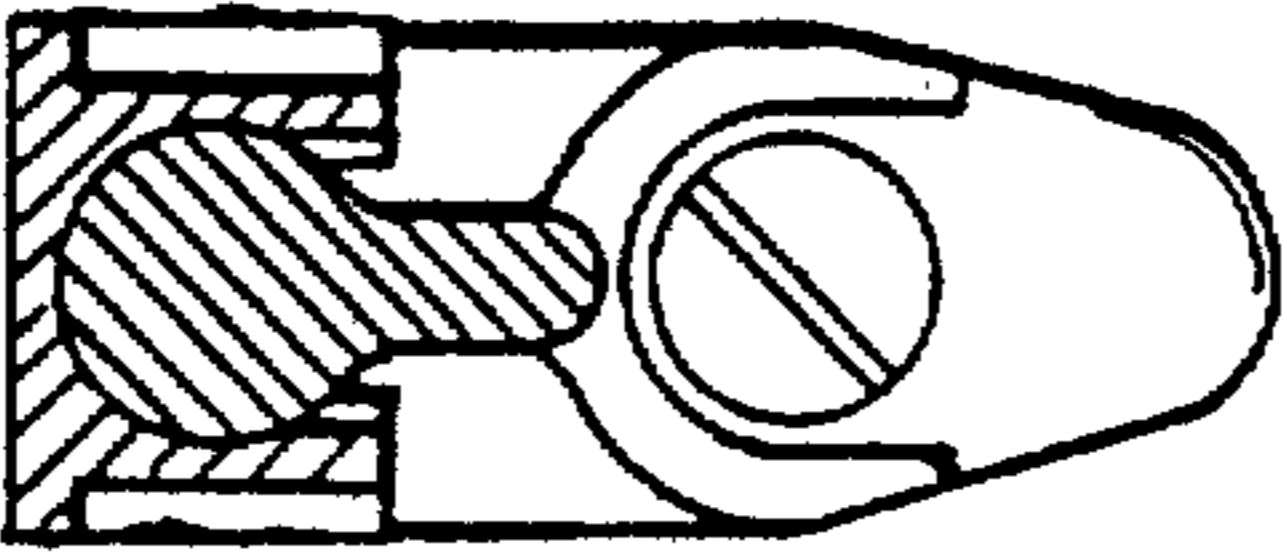


FIG. 5

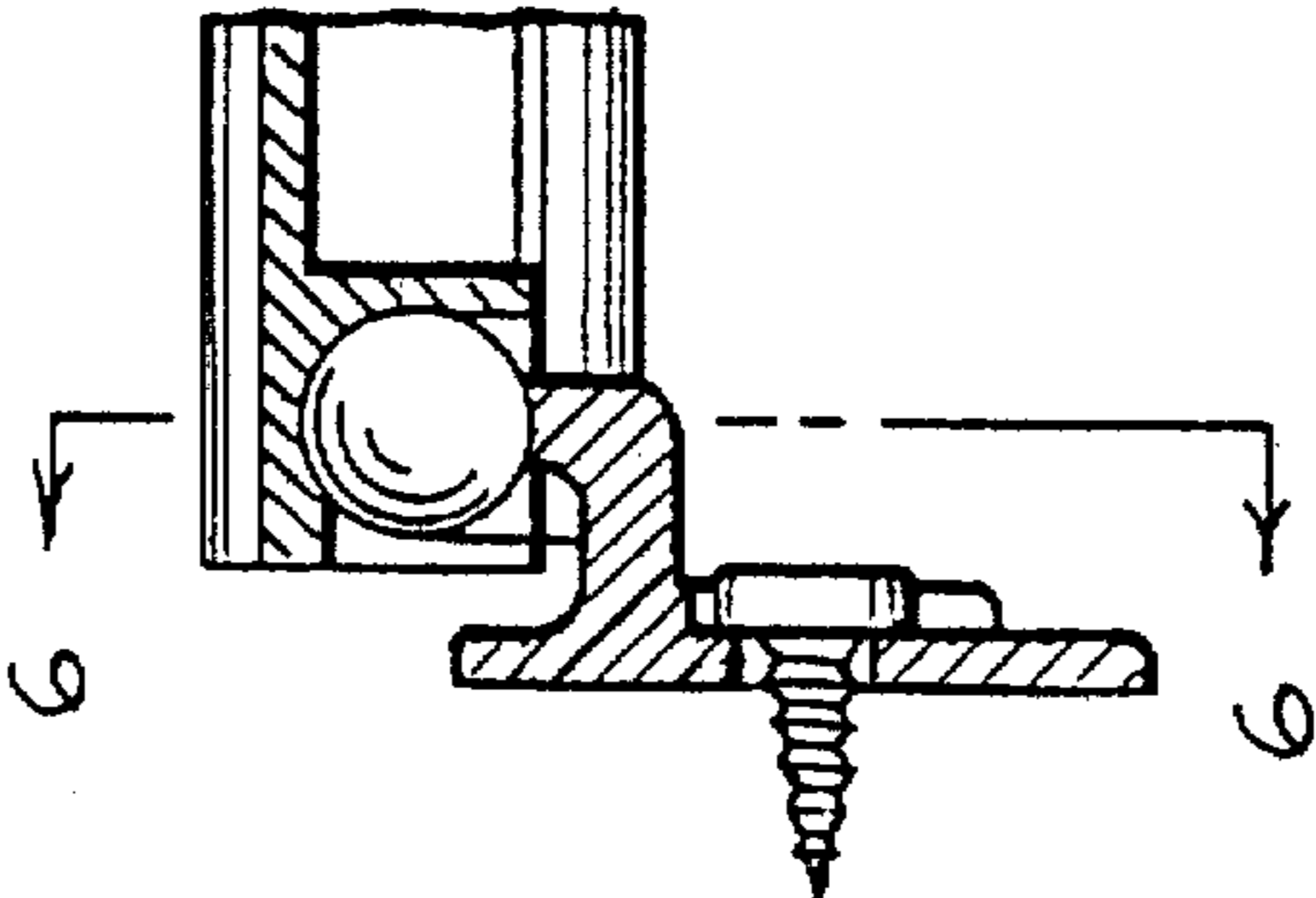


FIG. 6