

[54] VEHICLE LIFT

[75] Inventor: Saburo Masui, Tokyo, Japan

[73] Assignee: Yasui Sangyo Co., Ltd., Fujinomiya, Japan

[\*\*] Term: 14 Years

[21] Appl. No.: 306,973

[22] Filed: Sep. 28, 1981

[52] U.S. Cl. .... D34/28

[58] Field of Search ..... D34/28, 31; 254/2 B, 254/2 C, 10 R, 10 B, 10 C; 187/8.61, 8.65, 8.67, 8.75, 8.74, 8.72

[56] References Cited

U.S. PATENT DOCUMENTS

1,942,945 1/1934 Smith ..... 187/8.72

3,318,417 5/1967 Royce ..... 187/8.72  
3,330,381 7/1967 Halstead ..... 187/8.75

Primary Examiner—James M. Gandy  
Attorney, Agent, or Firm—Myron Greenspan; Burton L. Lilling; Bruce E. Lilling

[57] CLAIM

The ornamental design for a vehicle lift, substantially as shown.

DESCRIPTION

FIG. 1 is a perspective view from the front and one side of a vehicle lift showing my new design in raised condition;

FIG. 2 is a perspective view from the rear and opposite side thereof; and

FIG. 3 is a perspective view from the front and one side thereof in lowered condition.

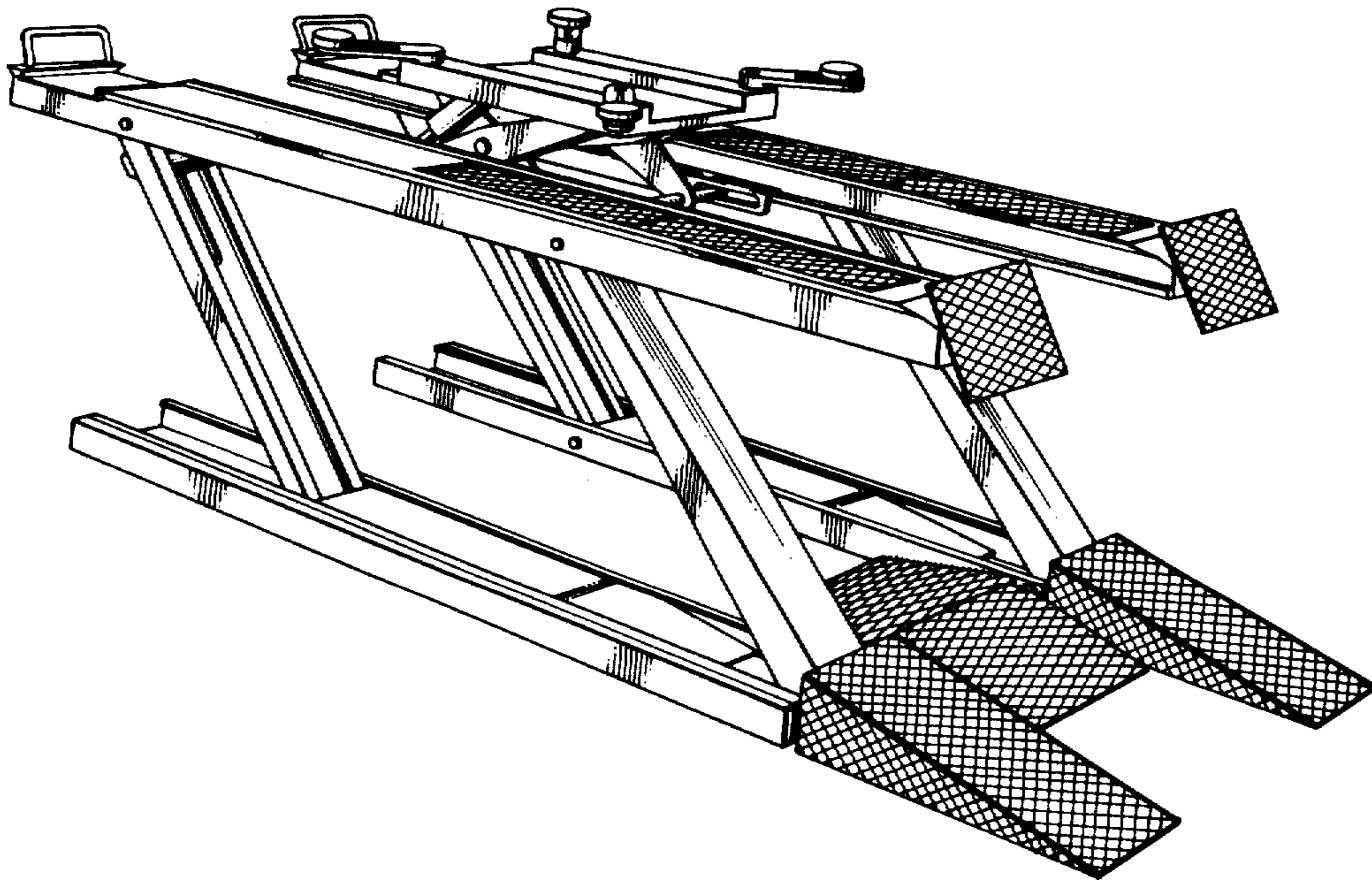


FIG. 1

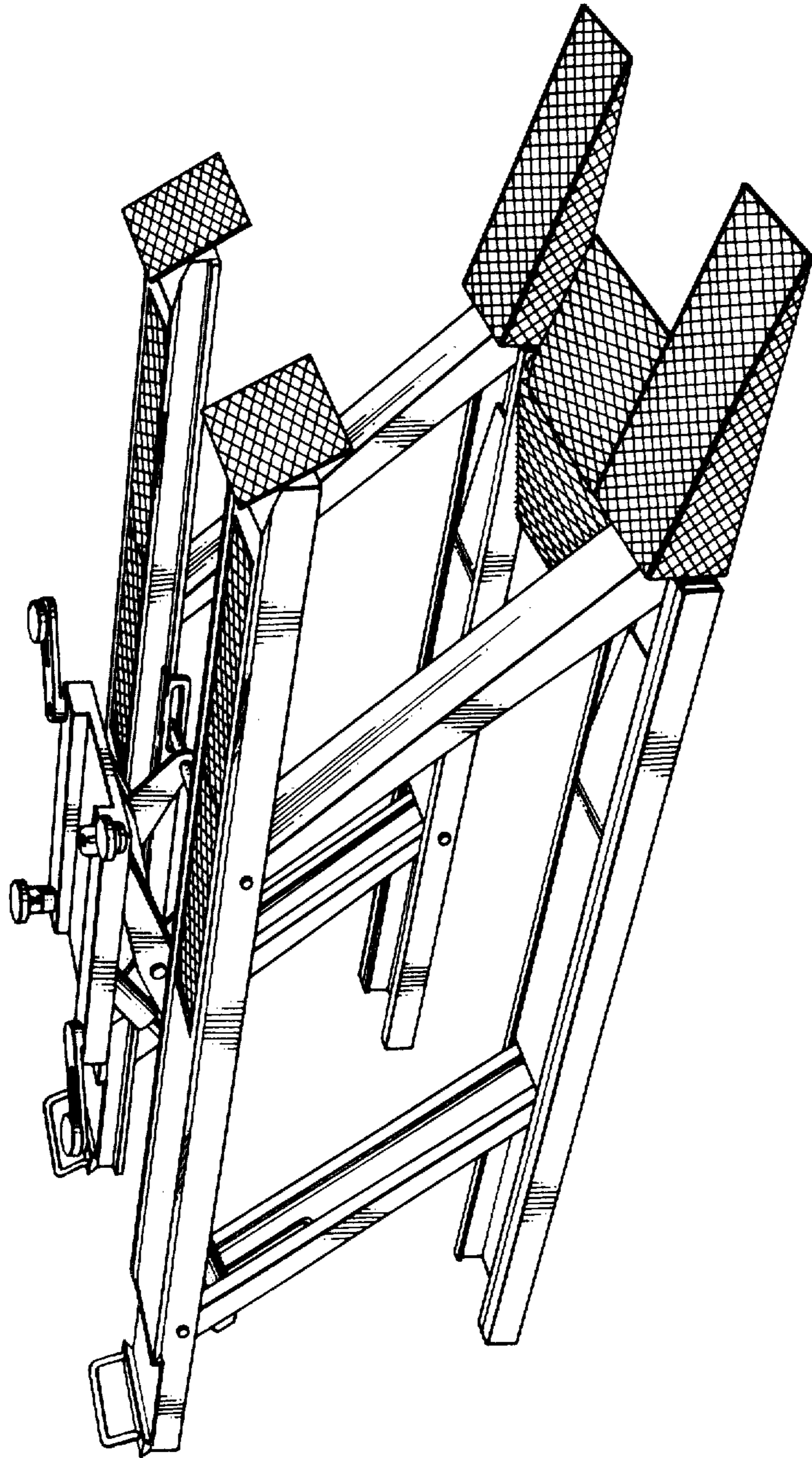


FIG. 2

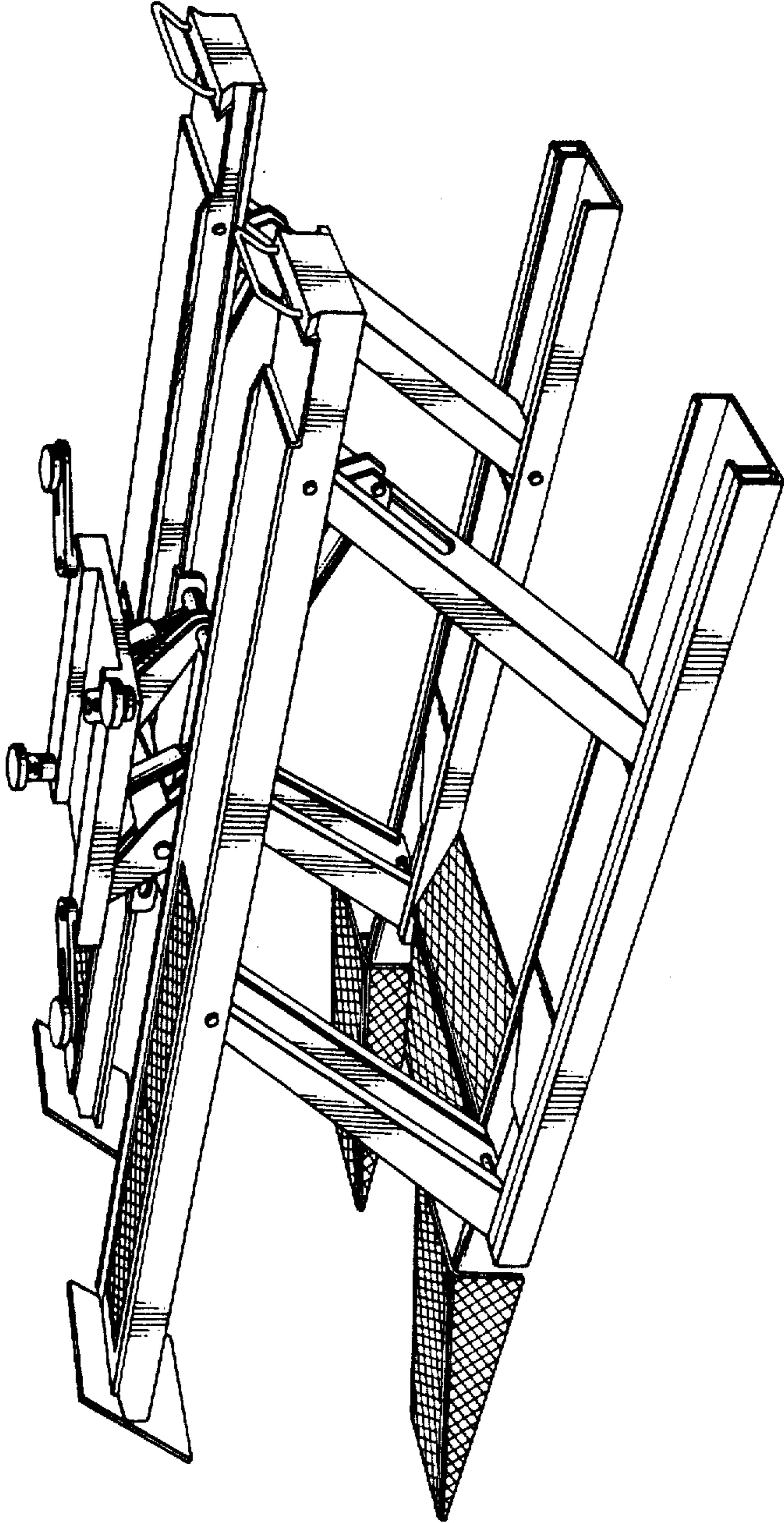


FIG. 3

