

[54] **HAIR SETTING CASE**  
 [75] Inventor: **George Barradas, Greenwich, Conn.**  
 [73] Assignee: **Appliance Design Probe Inc., Scarborough, Canada**  
 [\*\*] Term: **14 Years**  
 [21] Appl. No.: **243,785**  
 [22] Filed: **Mar. 16, 1981**  
 [52] U.S. Cl. .... **D28/38; D3/39; D3/74**  
 [58] Field of Search ..... **D3/30.1, 34, 39, 74, D3/75, 78; D28/83, 78, 38; D27/42, 47; 132/7, 9; D9/420**

[56] **References Cited**  
**U.S. PATENT DOCUMENTS**  
 D. 121,595 7/1940 Menn ..... D3/39

D. 144,533 4/1946 Worley ..... D3/39  
 D. 160,319 10/1950 Hess ..... D9/420  
 D. 255,038 5/1980 Itakura ..... D27/47  
 3,586,820 6/1971 Yamanaka ..... D28/38

*Primary Examiner*—George P. Word  
*Attorney, Agent, or Firm*—Shoemaker and Mattare, Ltd.

[57] **CLAIM**

The ornamental design for a hair setting case, as shown and described.

**DESCRIPTION**

FIG. 1 is a perspective view of a hair setting case showing my new design in the open condition;  
 FIG. 2 is a bottom rear perspective view thereof;  
 FIG. 3 is a perspective view of FIG. 1 in the closed condition; and  
 FIG. 4 is a perspective view of FIG. 2 in the closed condition.

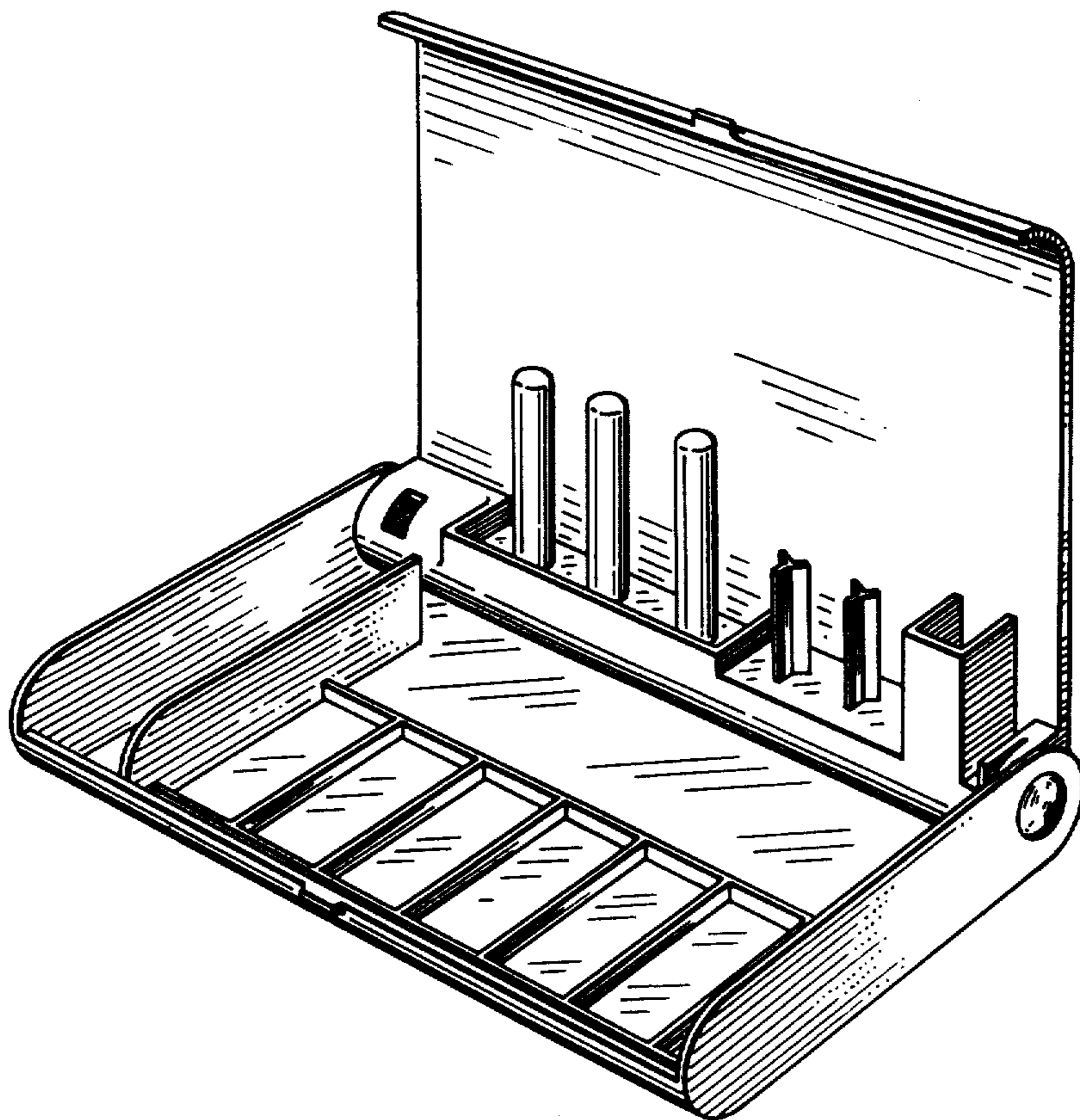


FIG. 2

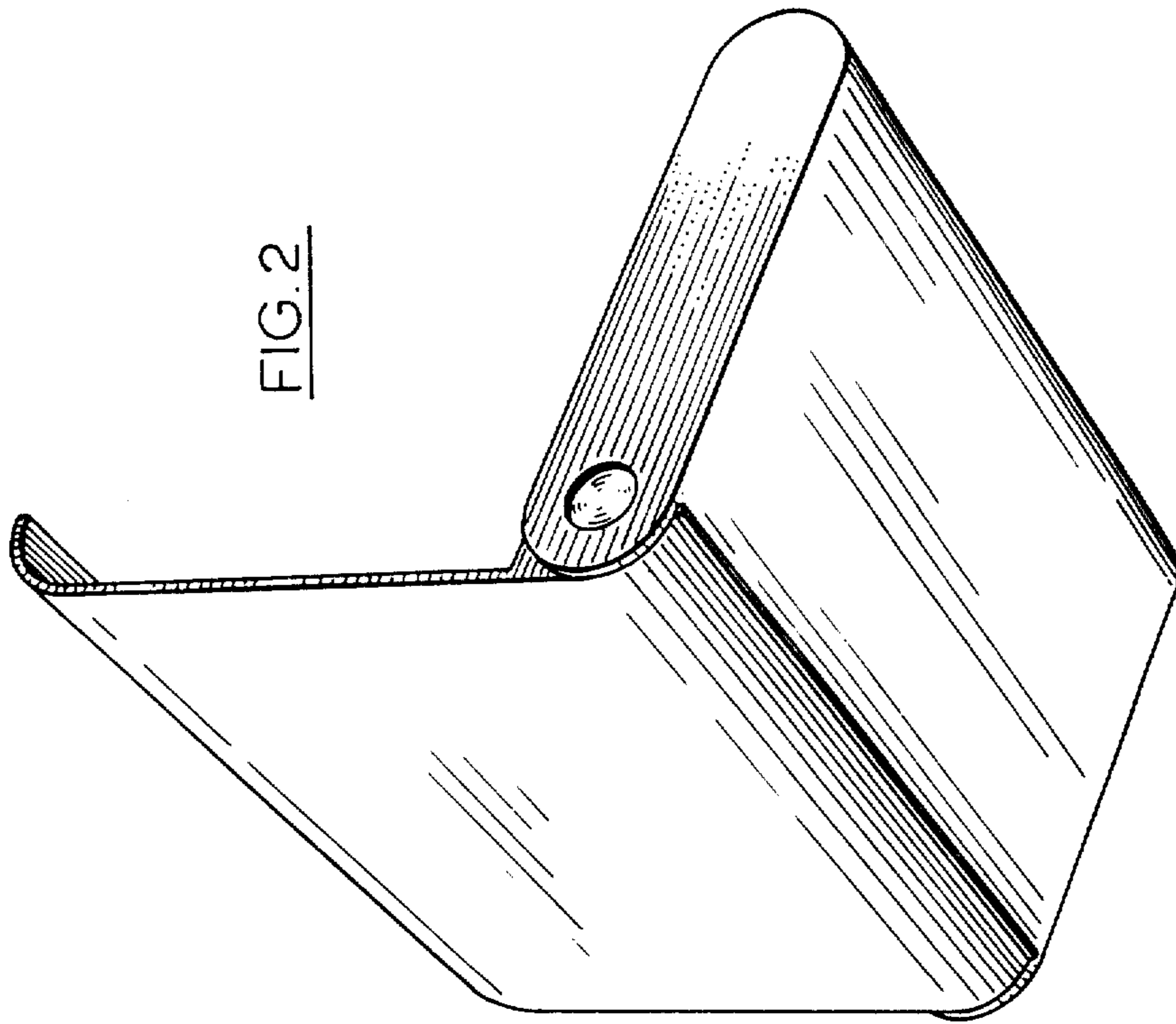
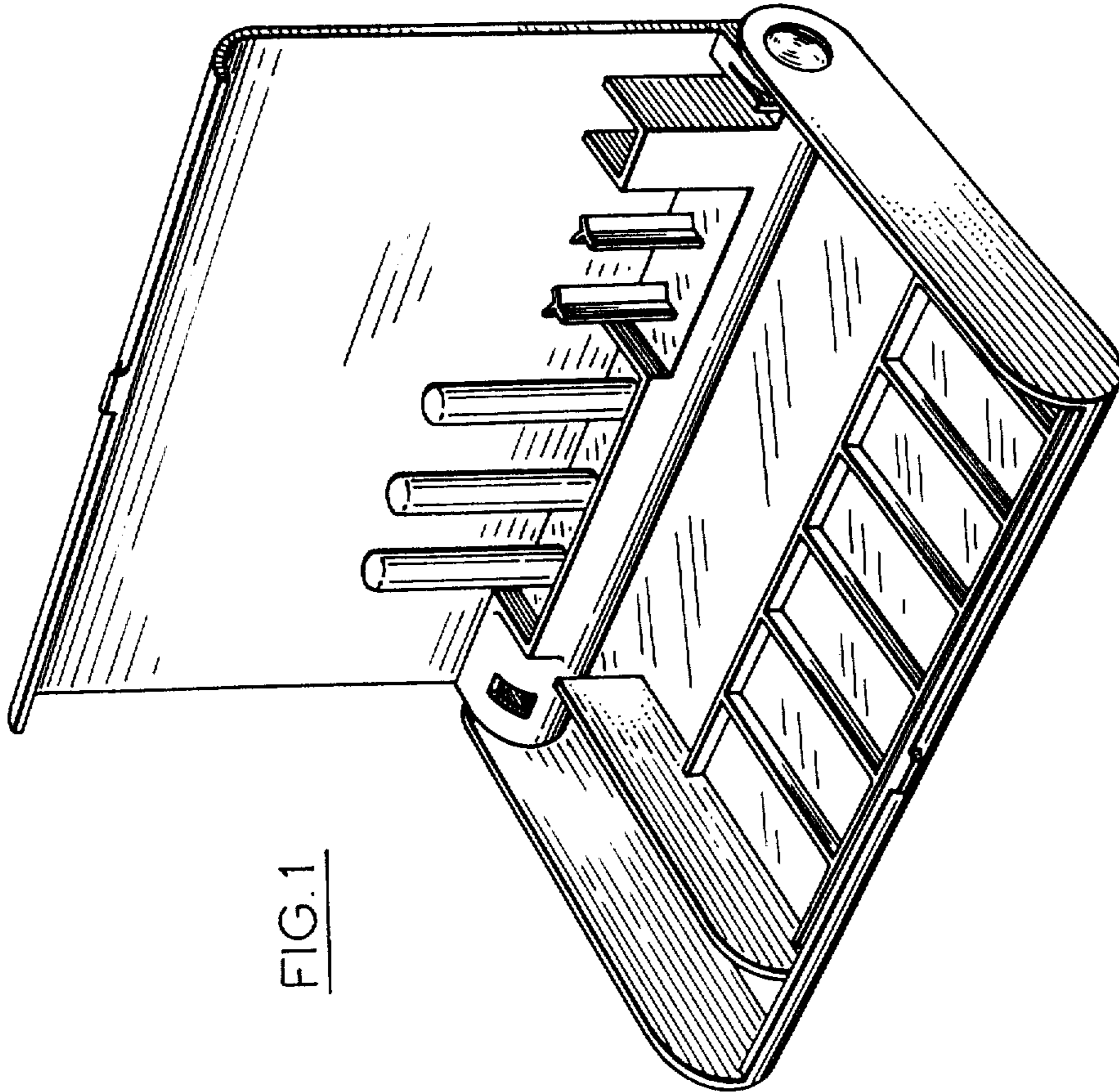


FIG. 1



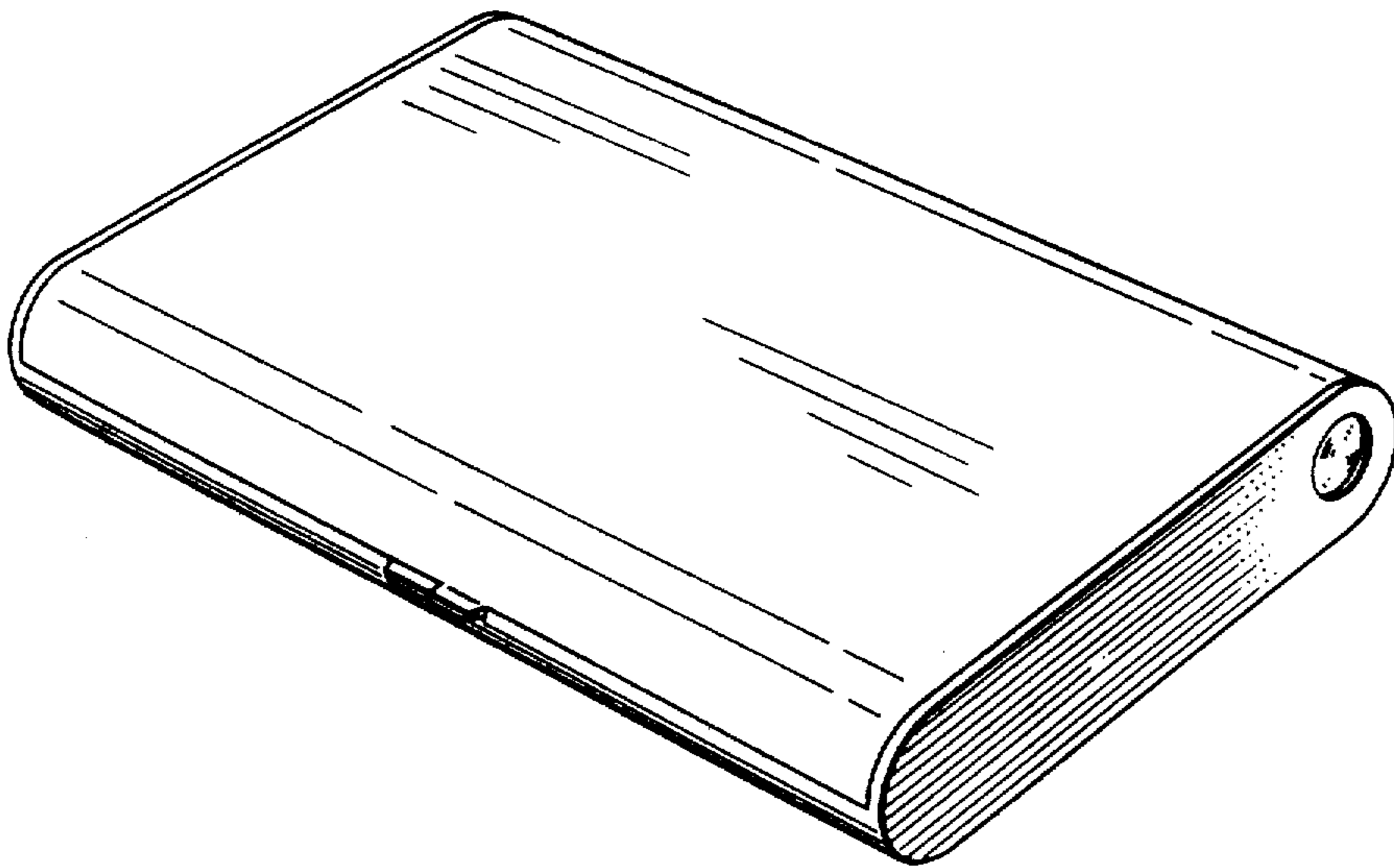


FIG. 3

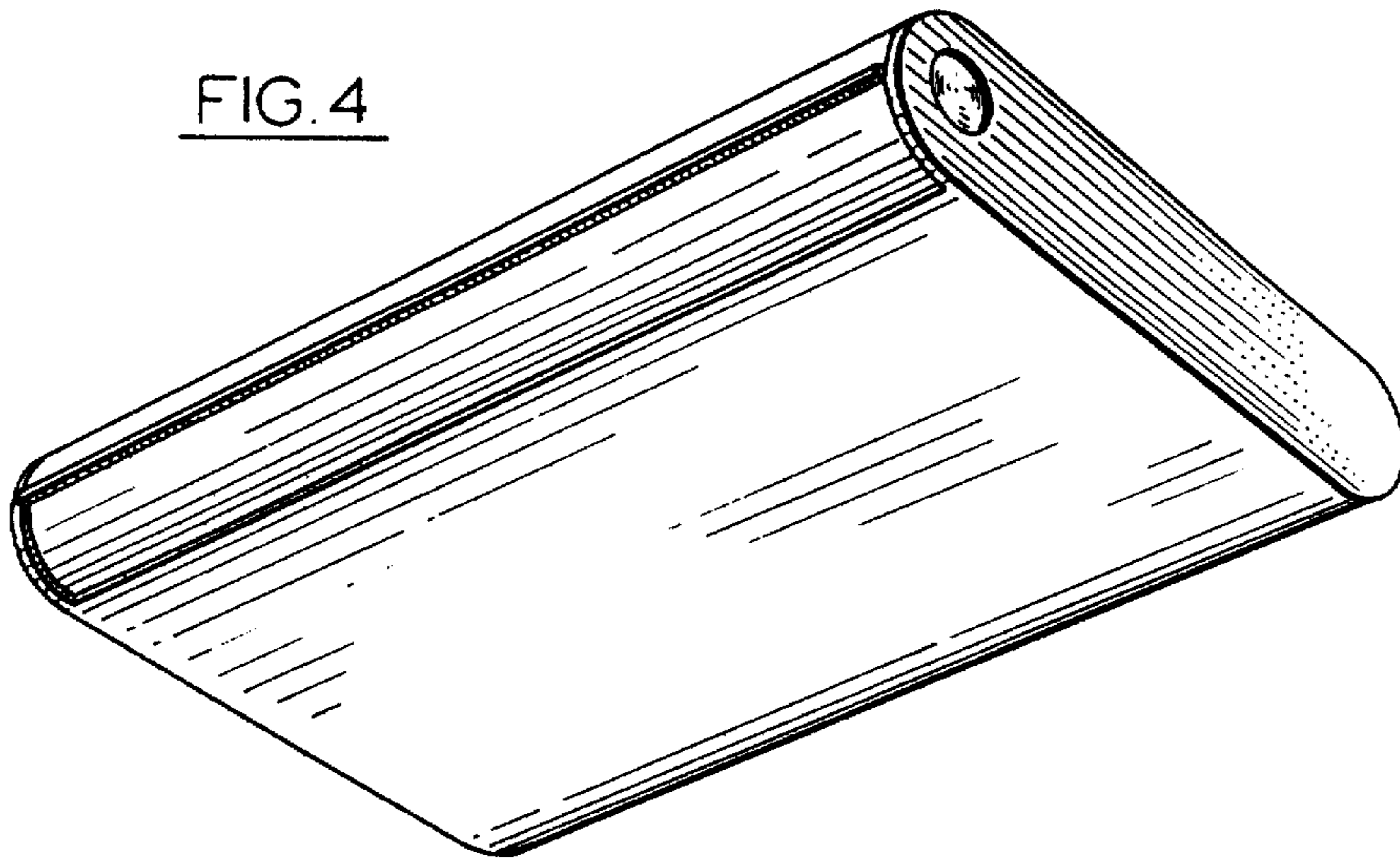


FIG. 4