

[54] COMBINED HOLDER FOR A CIGARETTE PACK AND LIGHTER

[76] Inventor: Anchel Zucker, 20 Memory Lane Pkwy., North Syracuse, N.Y. 13212

[\*\*] Term: 14 Years

[21] Appl. No.: 158,739

[22] Filed: Jun. 12, 1980

[52] U.S. Cl. .... D27/49; D27/48; D27/37; D27/15

[58] Field of Search ..... D27/37, 14, 15, 20, D27/48, 49; 206/242, 246, 259, 265, 271, 273, 275, 496, 85, 86, 87, 96, 102, 136; 131/185, 231, 238, 239

[56] References Cited

U.S. PATENT DOCUMENTS

D. 203,731	2/1966	Roden	.....	D27/49
D. 260,689	9/1981	Storms	.....	D27/37
2,777,569	1/1957	Starke, Jr.	.....	206/86
3,057,465	10/1962	Quercio, Jr.	.....	206/246
4,000,812	1/1977	Pisarski et al.	.....	206/87
4,303,154	12/1981	Hicks	.....	206/242 X

Primary Examiner—Catherine E. Kemper

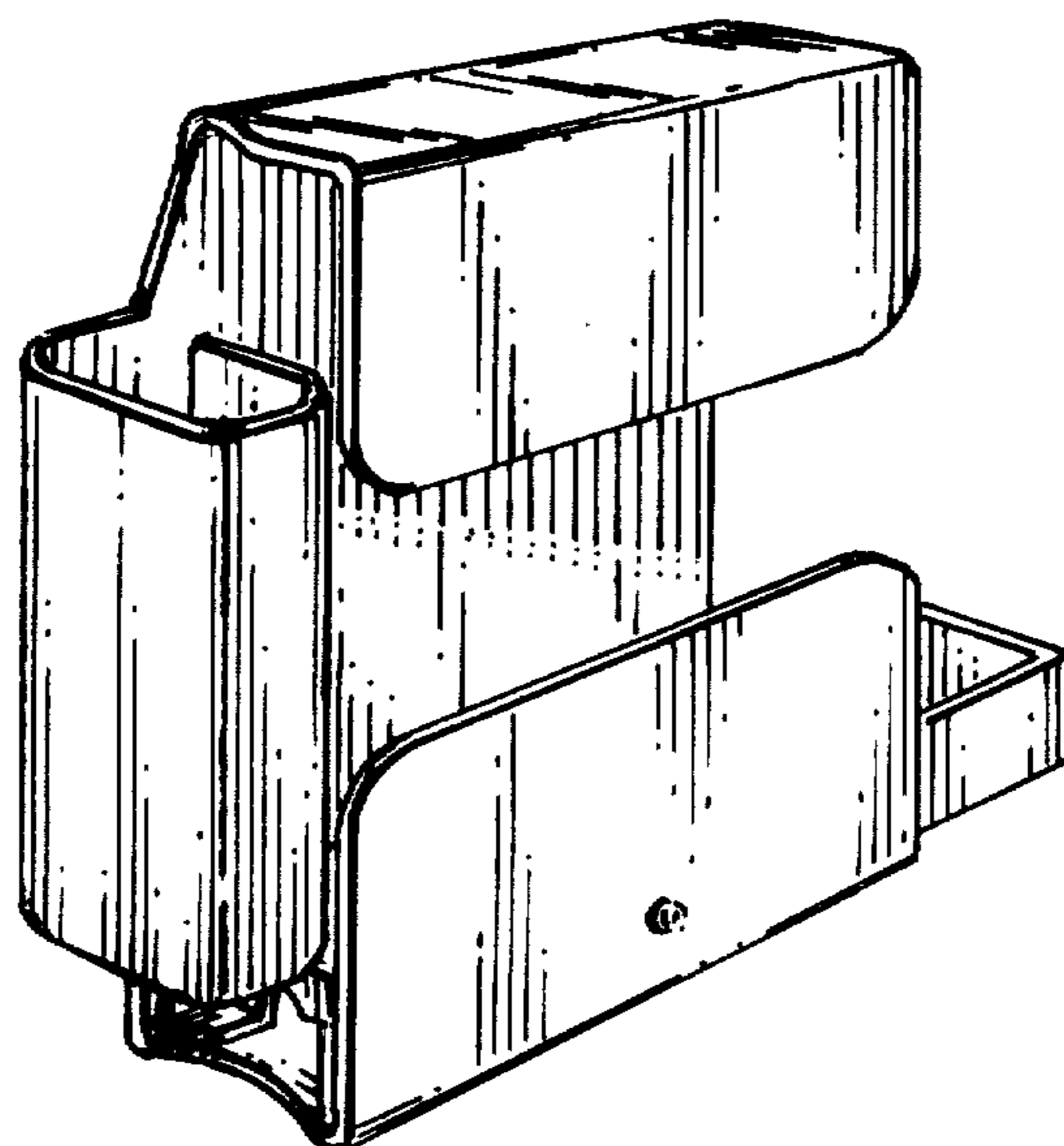
Attorney, Agent, or Firm—Bruns & Jenney

[57] CLAIM

The ornamental design for a combined holder for a cigarette pack and lighter, as shown and described.

DESCRIPTION

FIG. 1 is a perspective view of a combined holder for a cigarette pack and lighter showing my new design, the holder including an ash tray shown in open position; FIG. 2 is a perspective view of the combined holder of FIG. 1 with the ash tray removed; FIG. 3 is a front elevational view of the combined holder of FIG. 1; FIG. 4 is a left side elevational view thereof; FIG. 5 is a right side elevational view thereof; FIG. 6 is a rear elevational view thereof; FIG. 7 is a top plan view thereof; FIG. 8 is a bottom plan view thereof; FIG. 9 is a perspective view of a modified form of the combined cigarette pack and lighter; FIG. 10 is a front elevational view thereof; FIG. 11 is a left side elevational view thereof; FIG. 12 is a right side elevational view thereof; FIG. 13 is a rear elevational view thereof; FIG. 14 is a top plan view thereof; and FIG. 15 is a bottom plan view thereof.



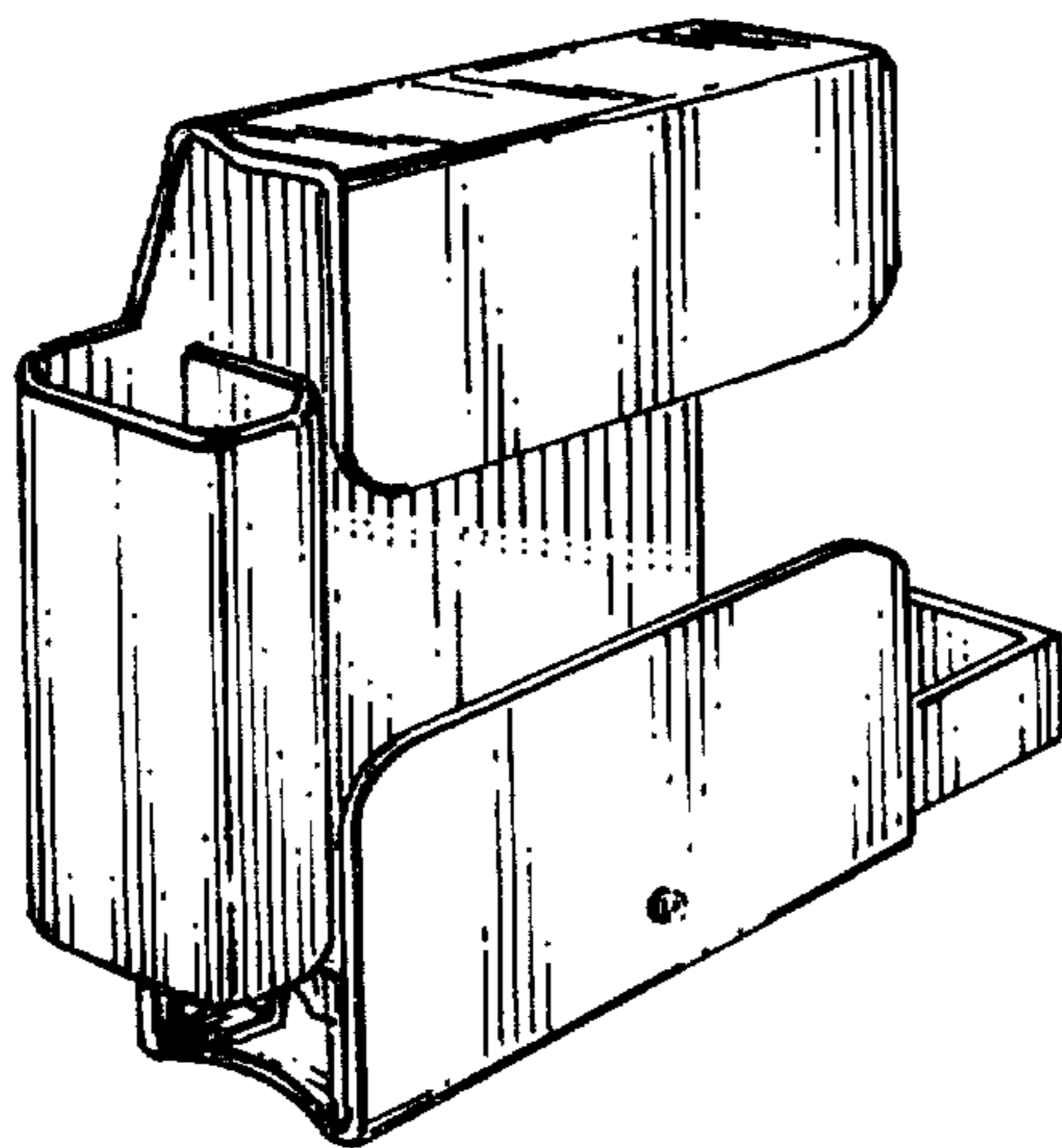


FIG. 1

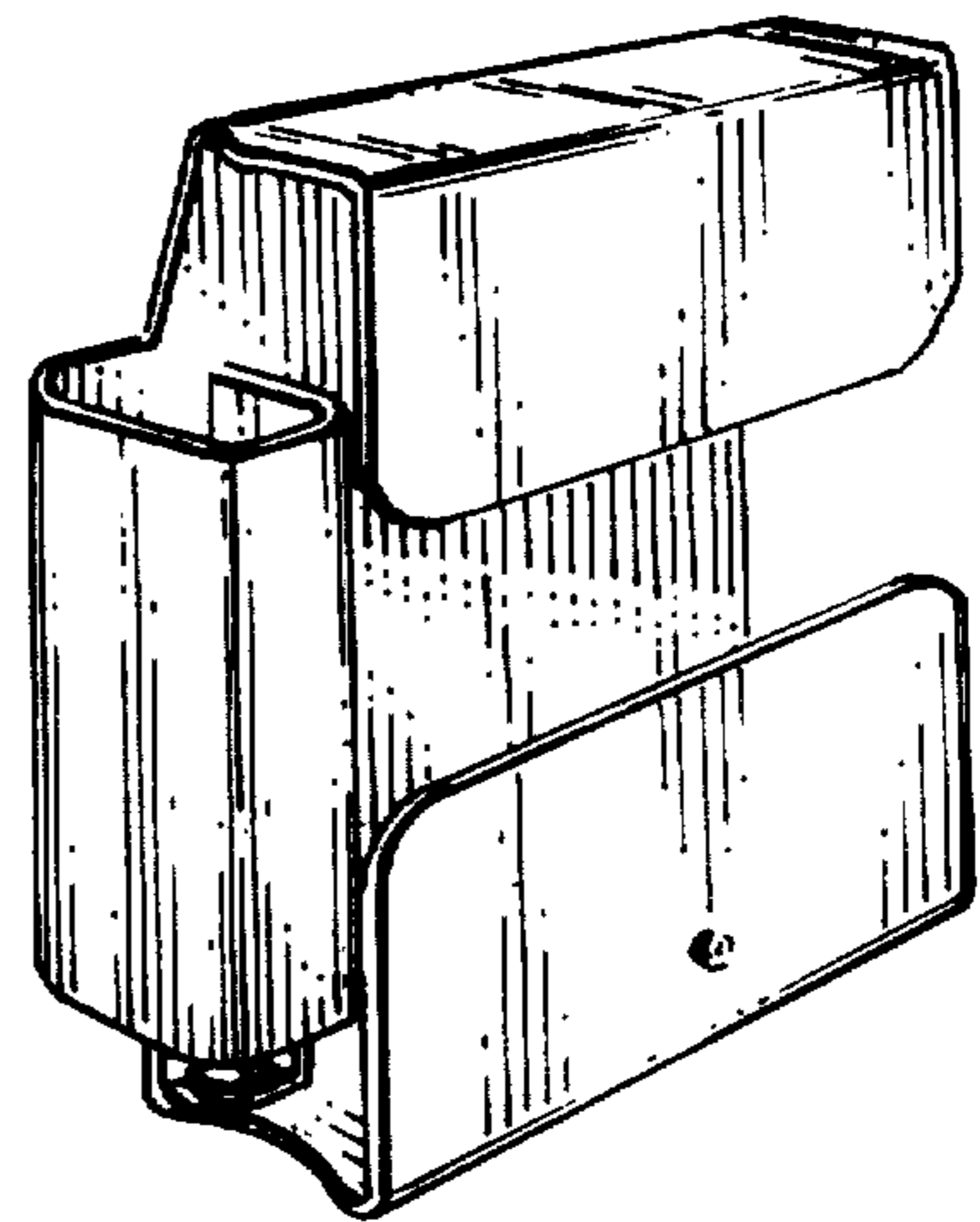


FIG. 2

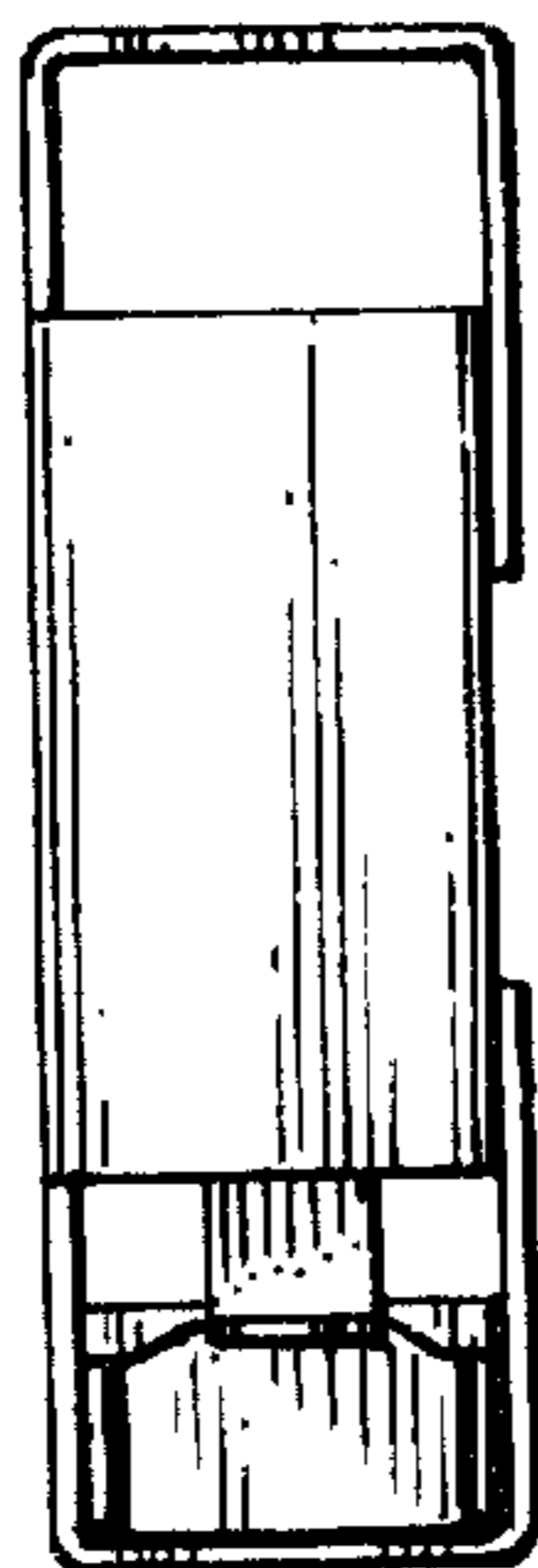


FIG. 4

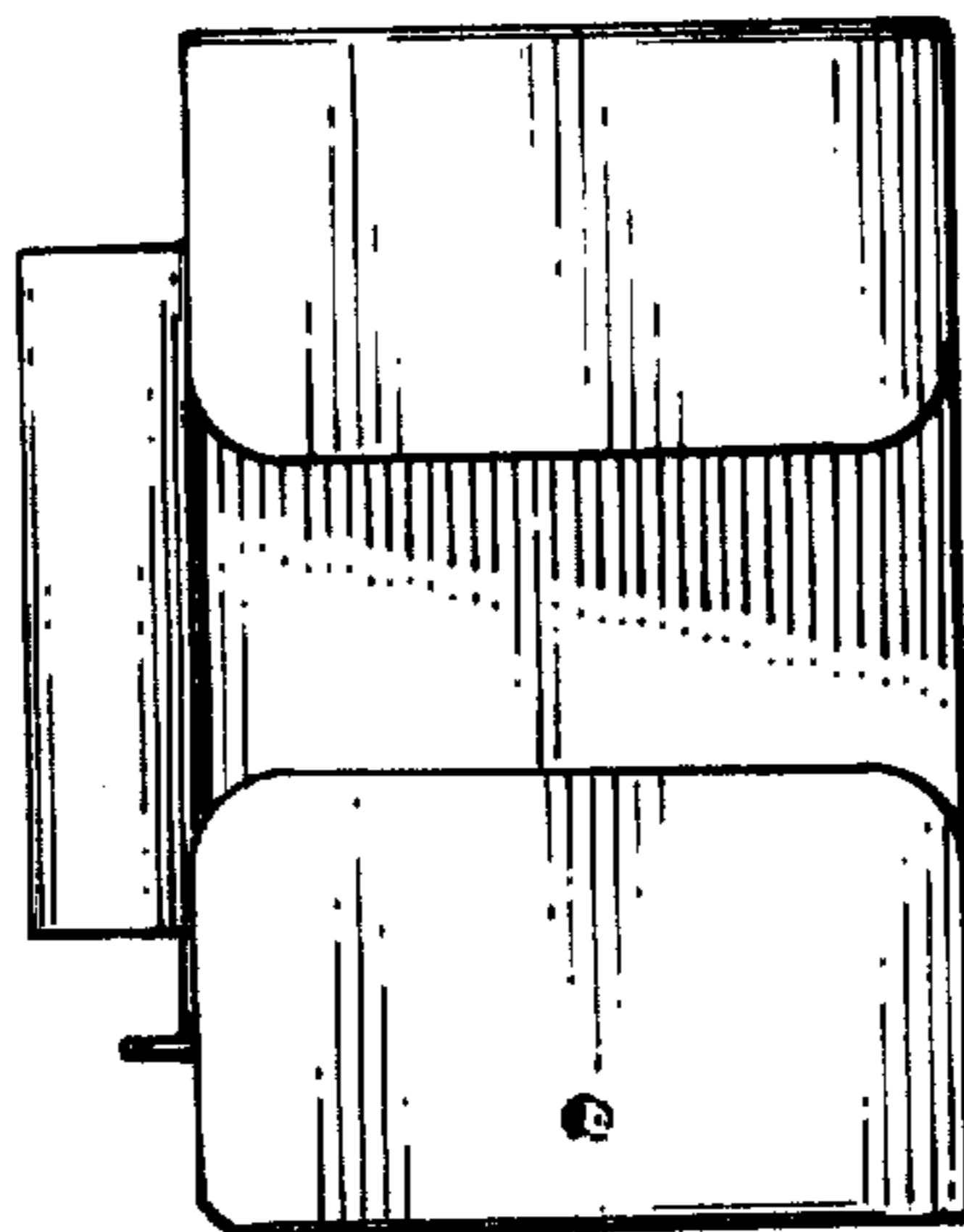


FIG. 3

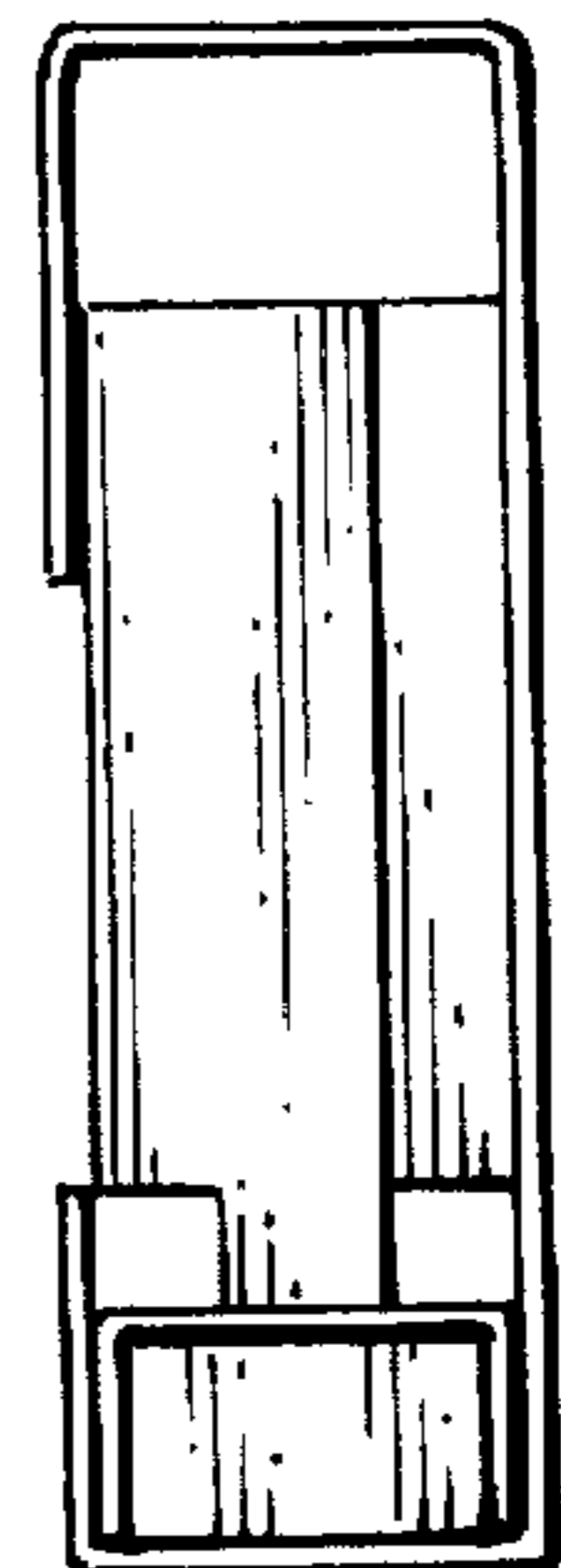


FIG. 5

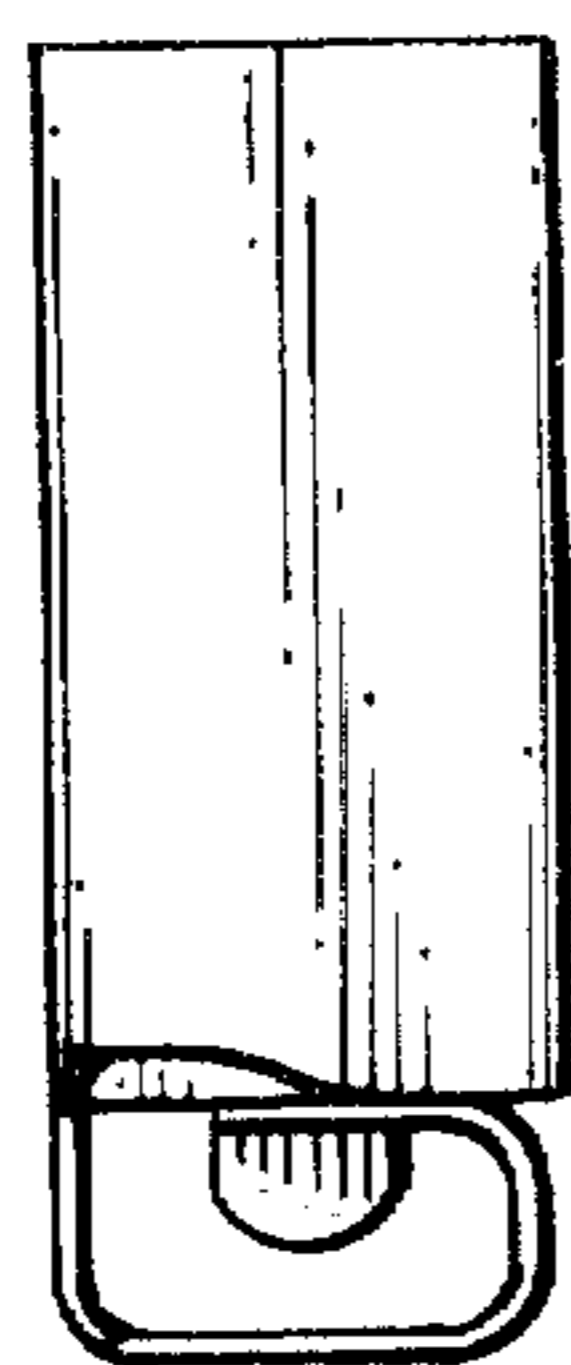


FIG. 7



FIG. 6

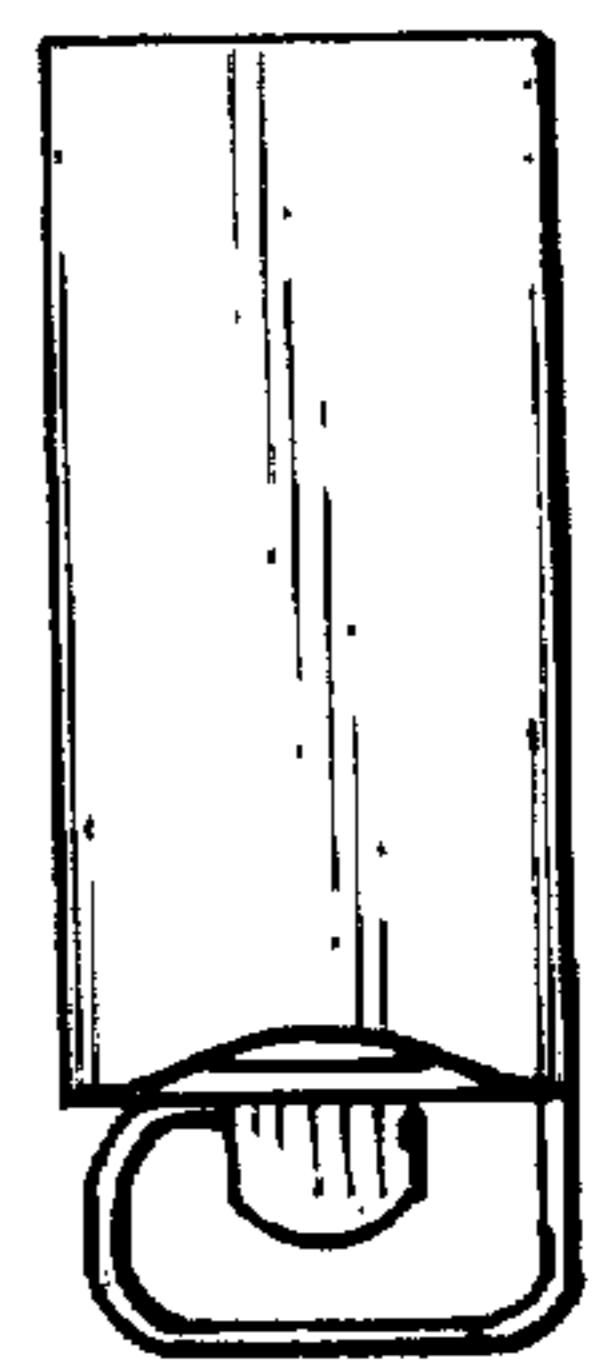


FIG. 8

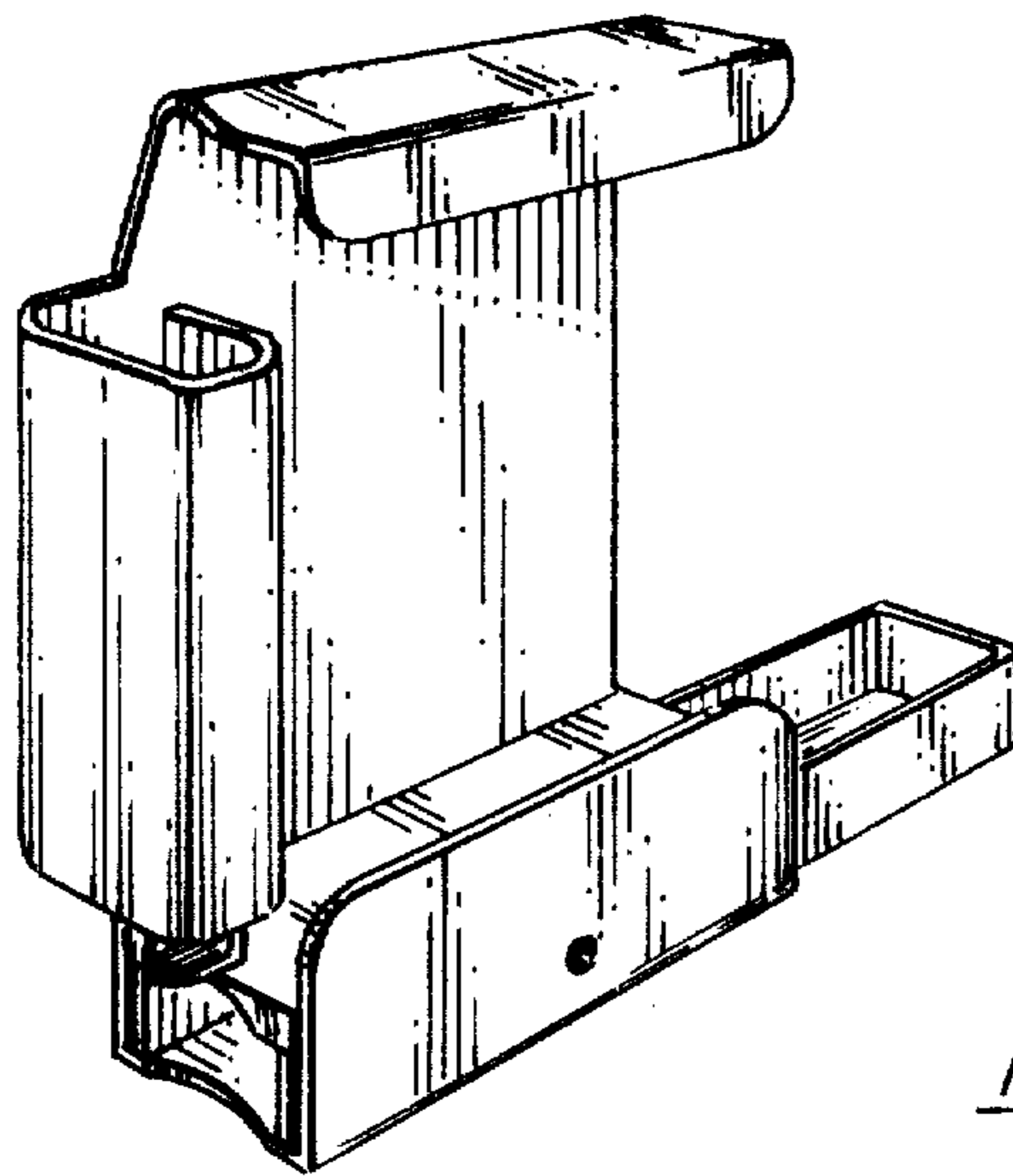


FIG. 9

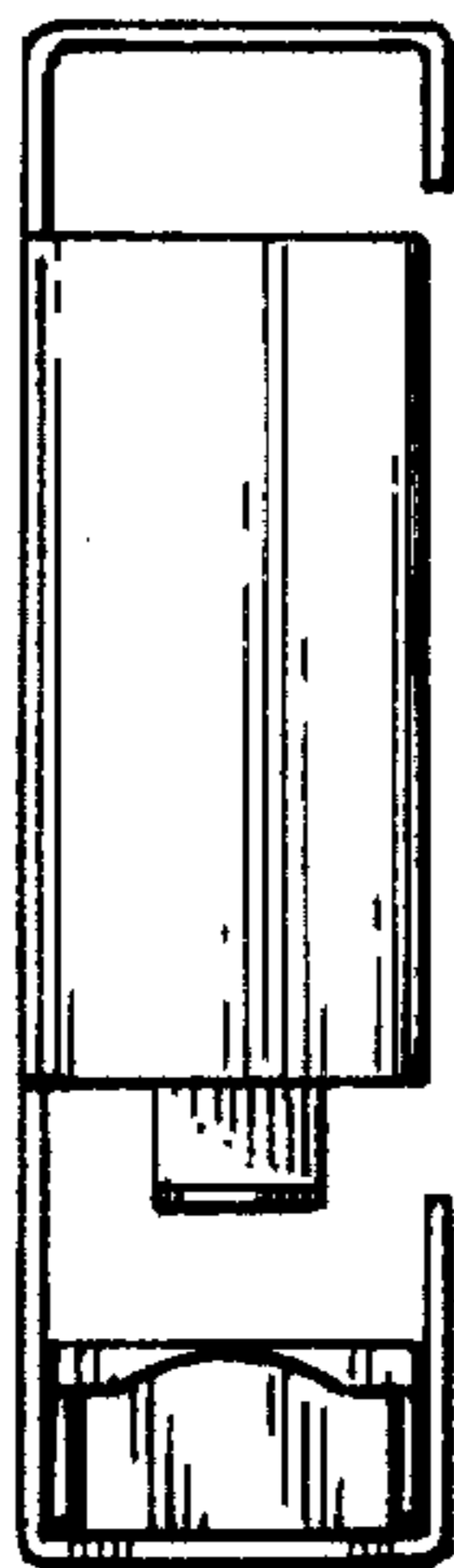


FIG. 11

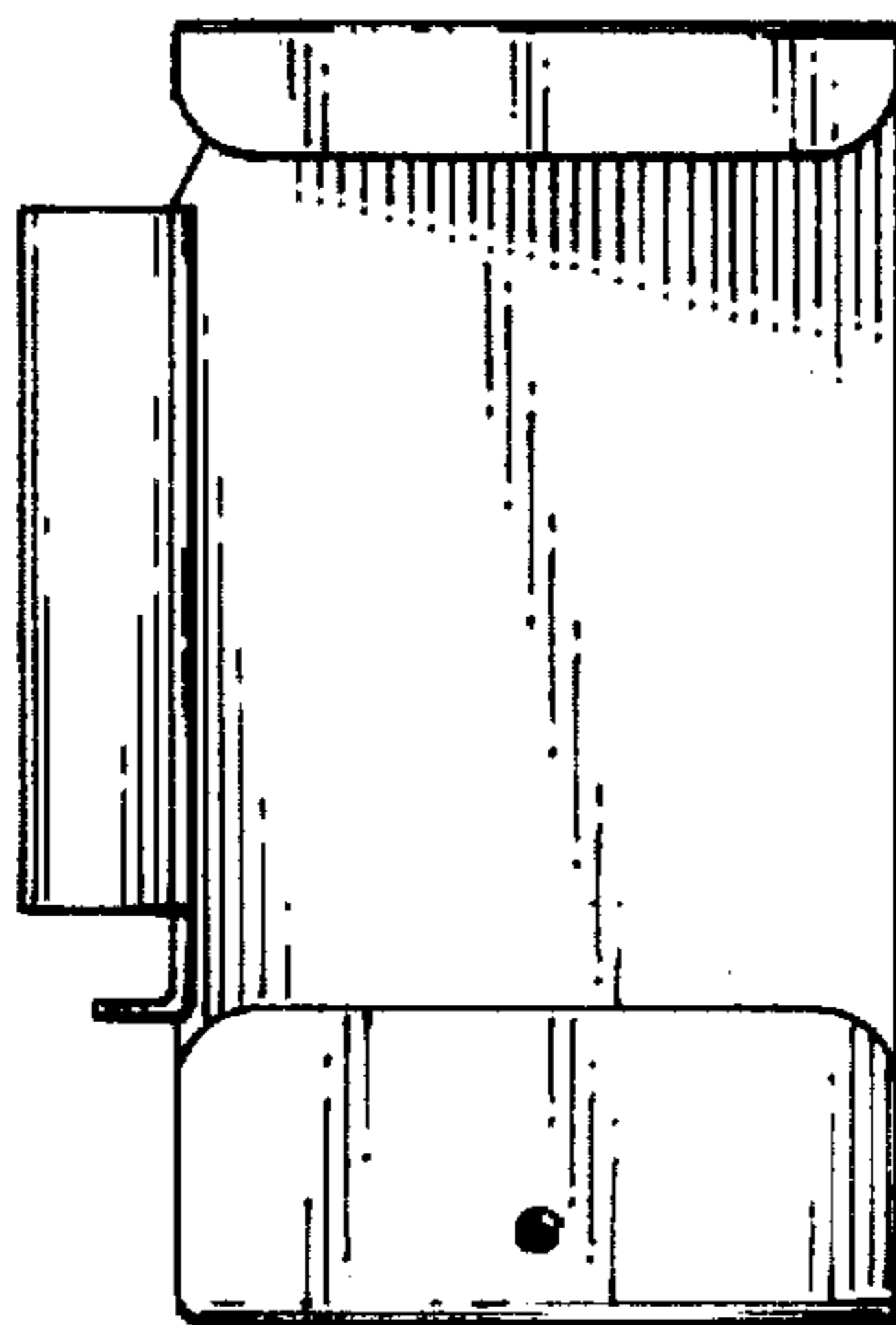


FIG. 10

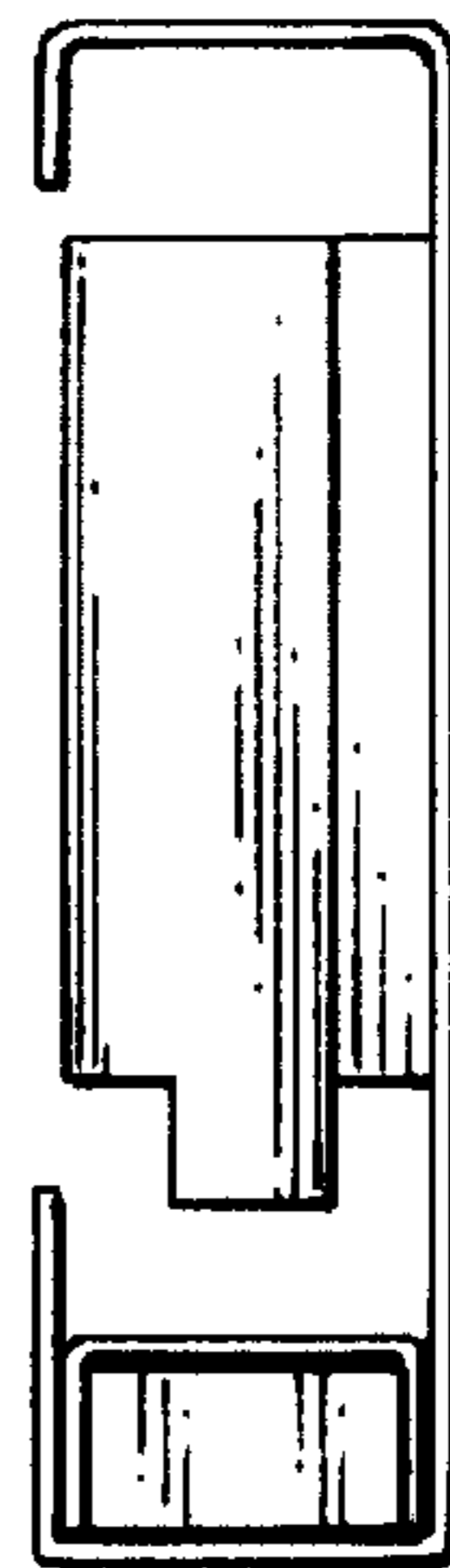


FIG. 12

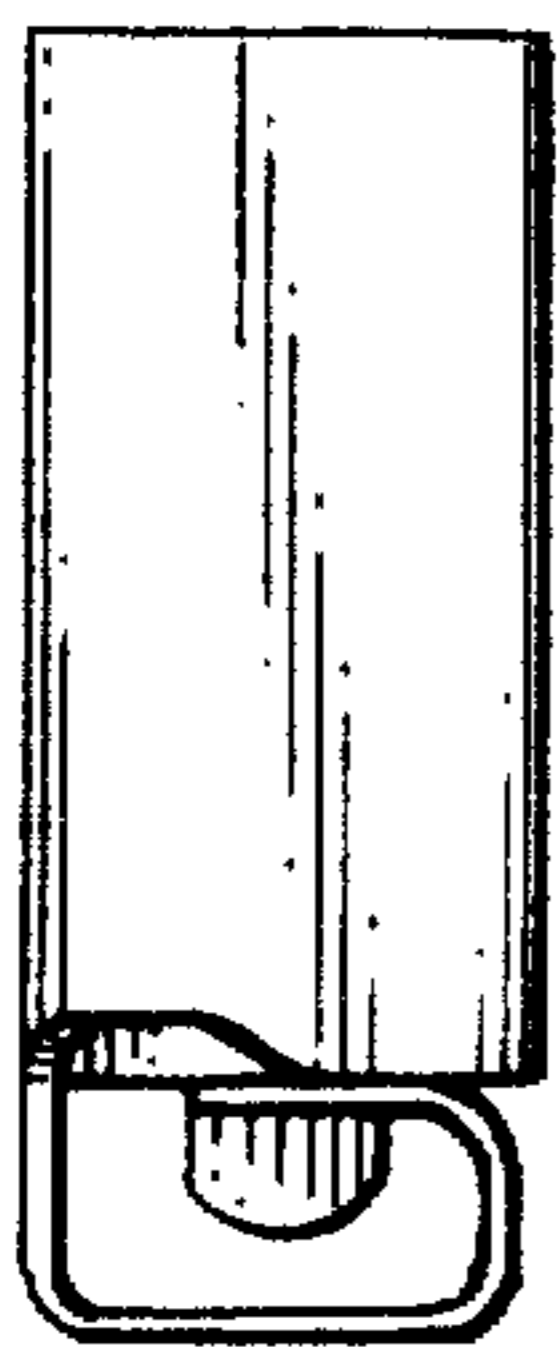


FIG. 14

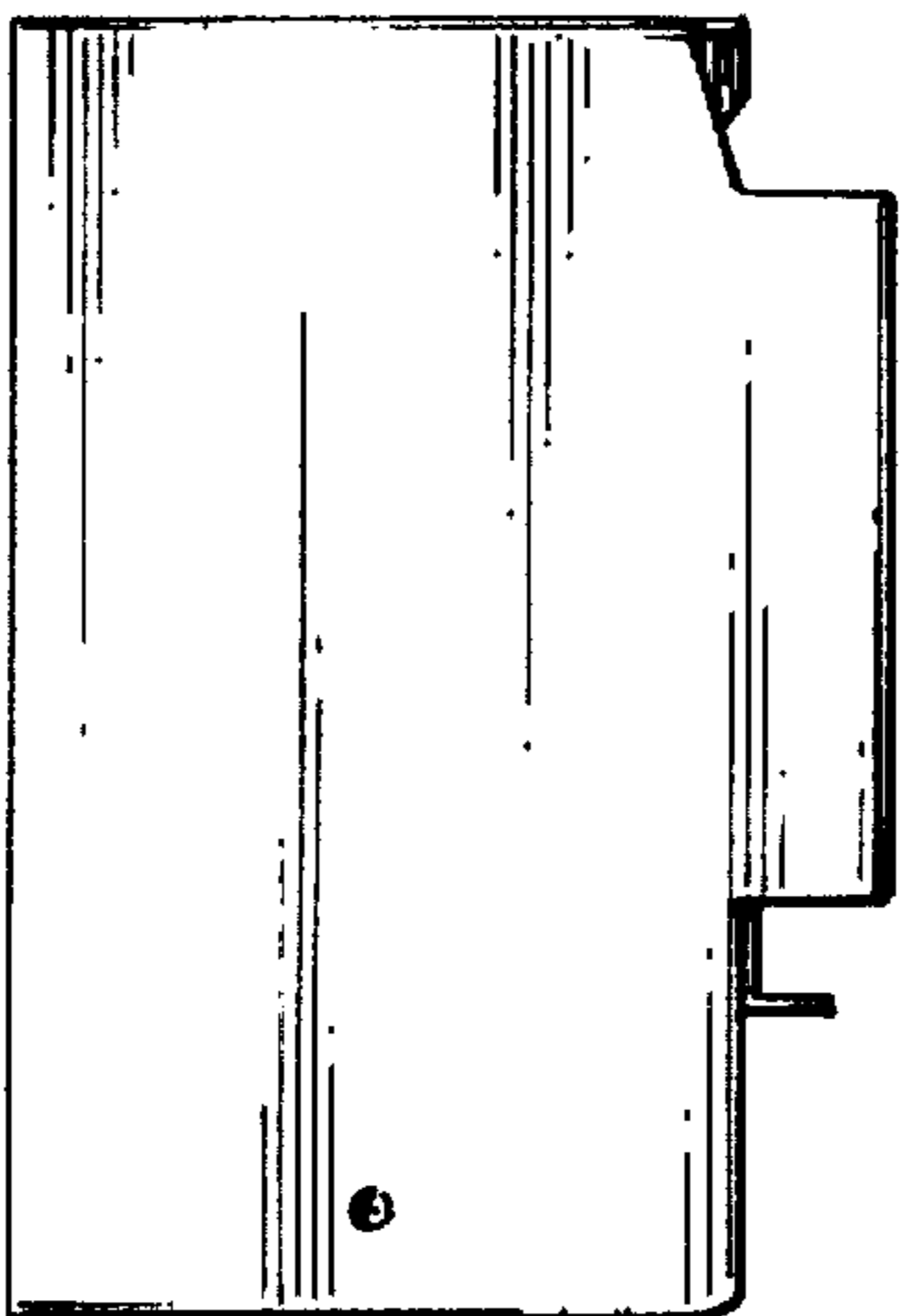


FIG. 13

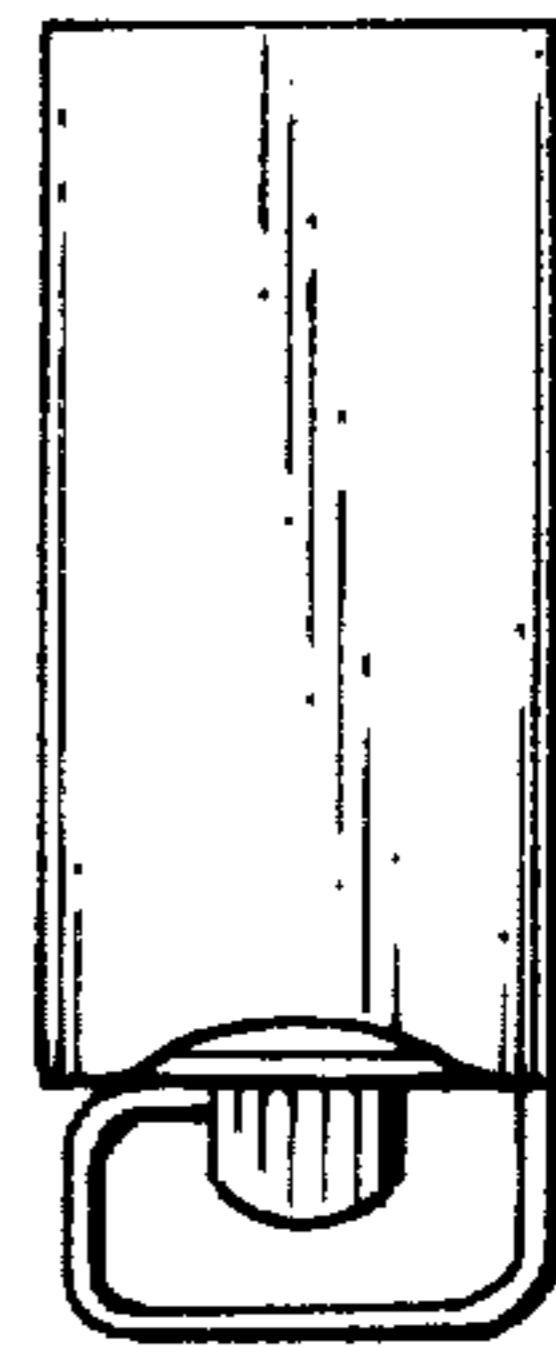


FIG. 15