

[54] FLOW DETECTOR FOR AN INTRAVENOUS ADMINISTRATION SET

[75] Inventors: Herbert F. D'Alo, Crystal Lake; Joseph N. Genese; Ronald W. Smith, both of Waukegan, all of Ill.

[73] Assignee: Abbott Laboratories, North Chicago, Ill.

[\*\*] Term: 14 Years

[21] Appl. No.: 325,709

[22] Filed: Nov. 30, 1981

[52] U.S. Cl. .... D24/8; D24/52; D24/99

[58] Field of Search ..... 128/DIG. 13; 604/253, 604/65, 73; 73/861.41; D24/8, 17, 99, 52

[56] References Cited

U.S. PATENT DOCUMENTS

- D. 212,987 12/1968 Cramer ..... D24/52
- D. 248,490 7/1978 Manno ..... D24/8
- D. 263,997 4/1982 Preussner ..... D24/8
- D. 265,243 6/1982 Manno et al. .... D24/8

- D. 269,998 8/1983 Knute ..... D24/99 X
- 4,038,981 8/1977 Le Fevre et al. .... 604/253 X
- 4,137,940 2/1979 Faisandier ..... 604/65 X
- 4,397,648 8/1983 Knute ..... 604/253

Primary Examiner—Bernard Ansher  
Attorney, Agent, or Firm—Neil E. Hamilton

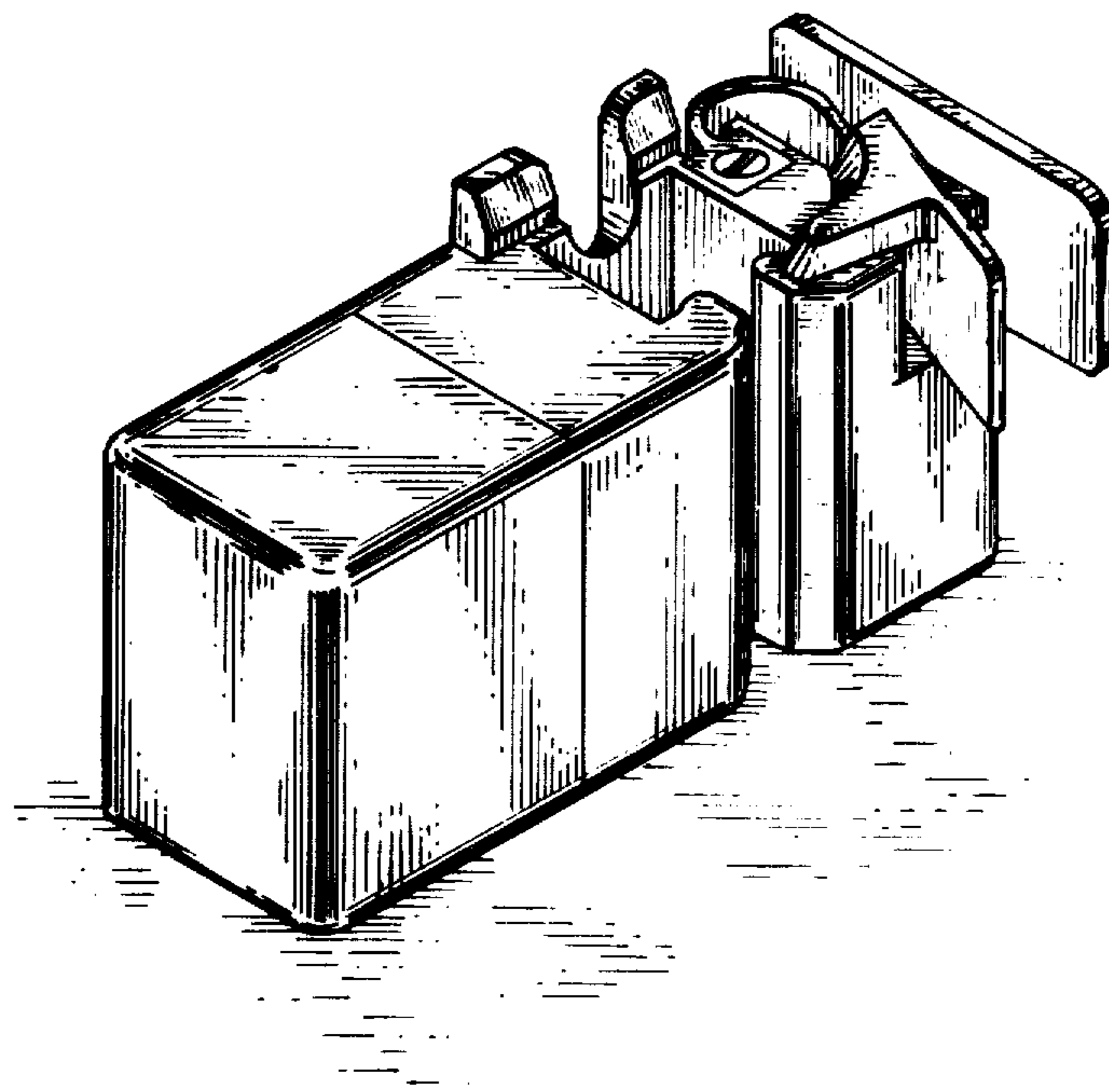
[57] CLAIM

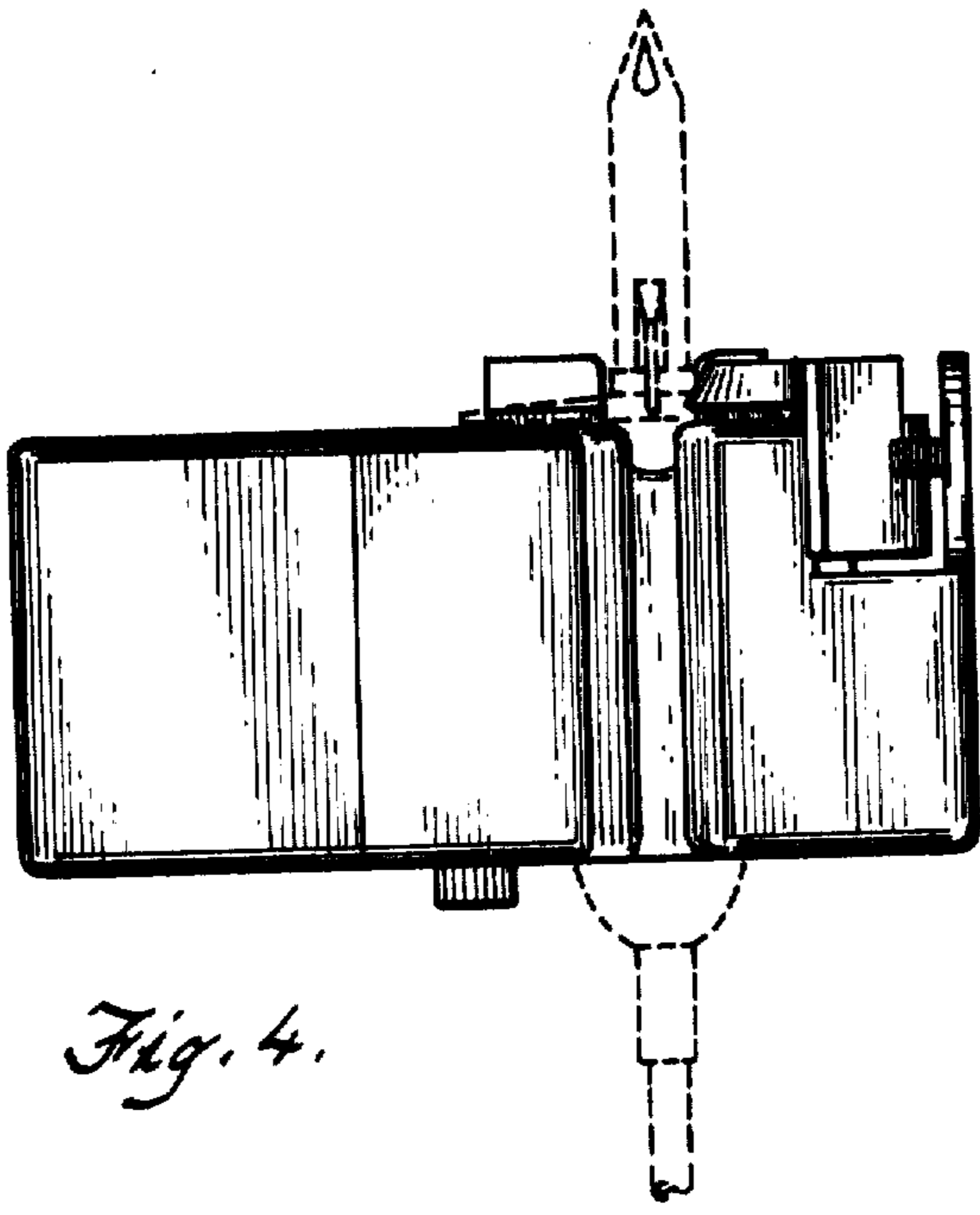
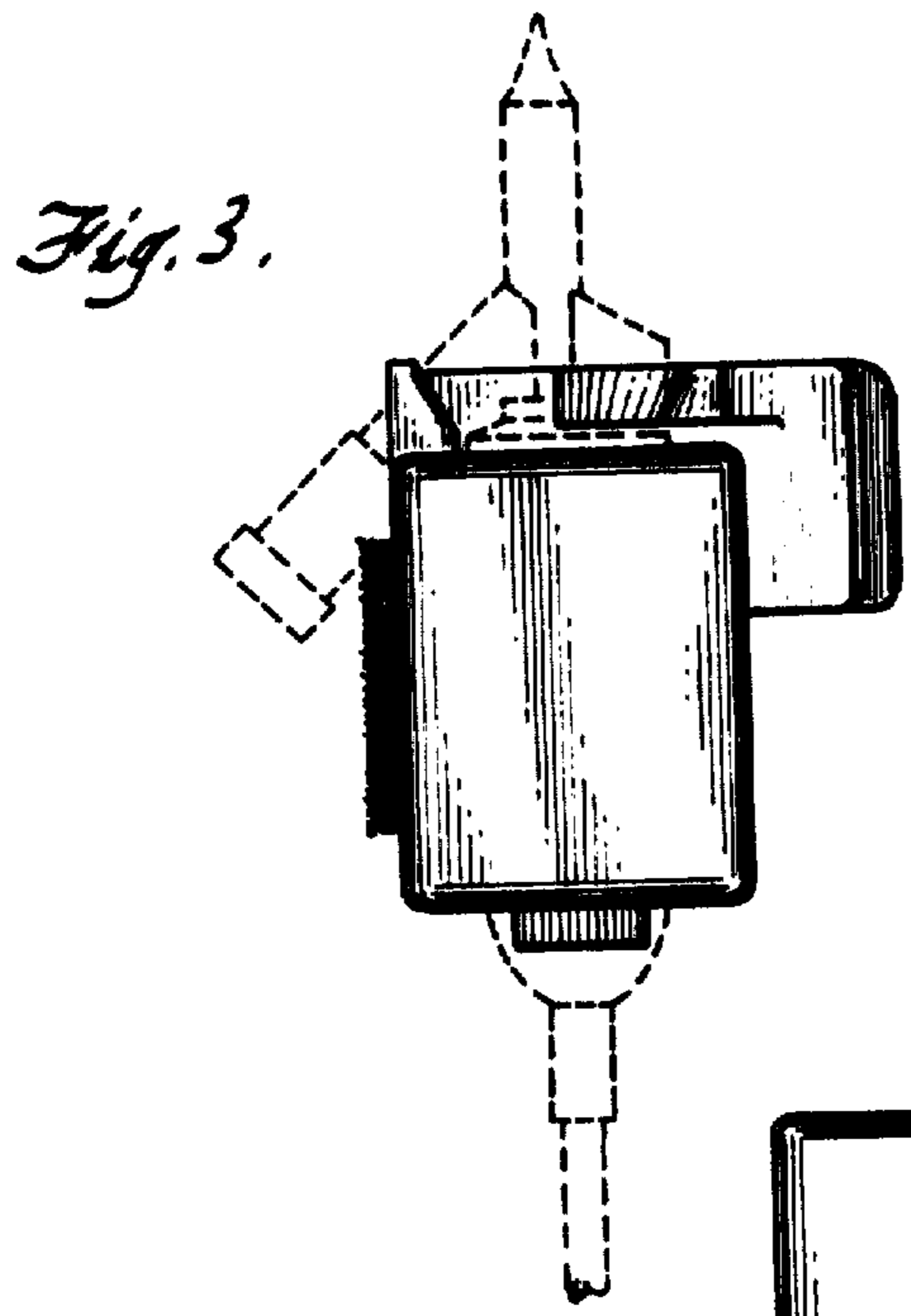
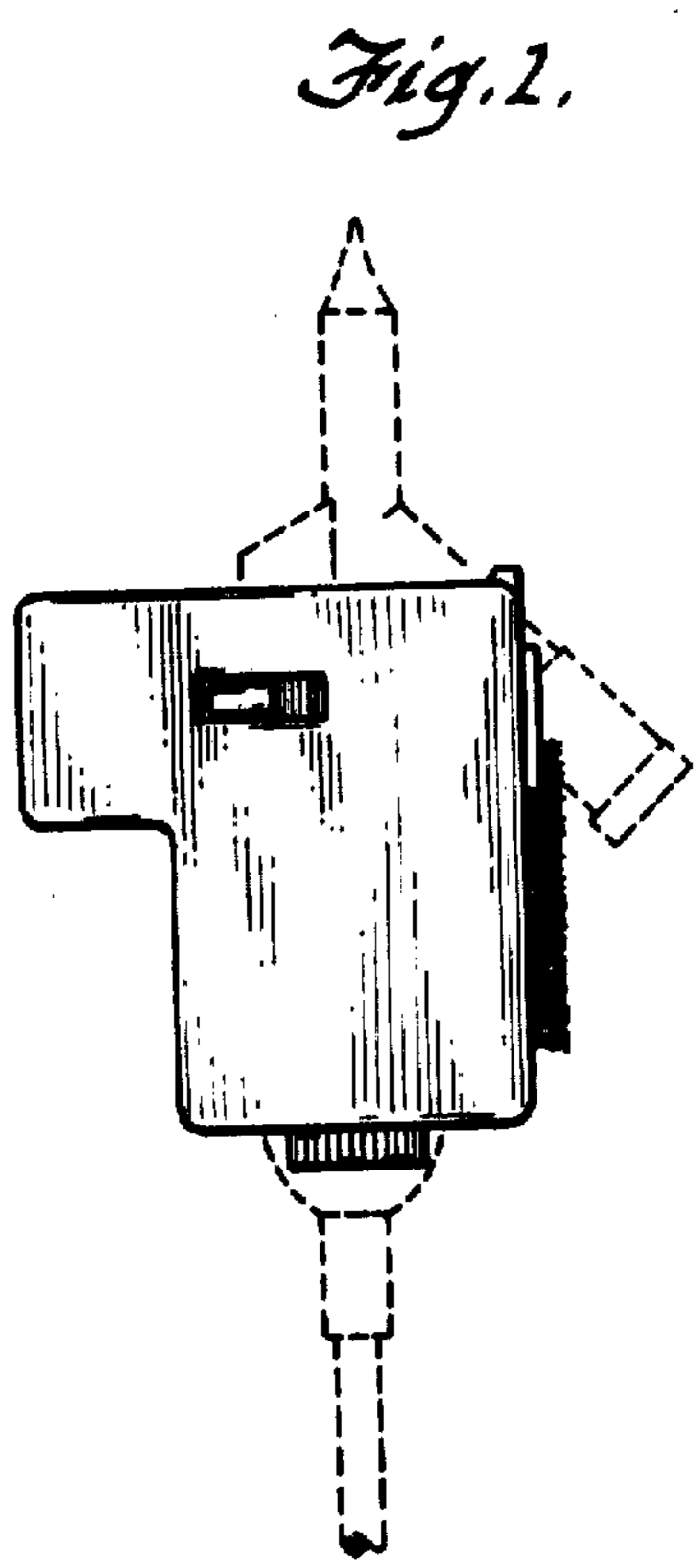
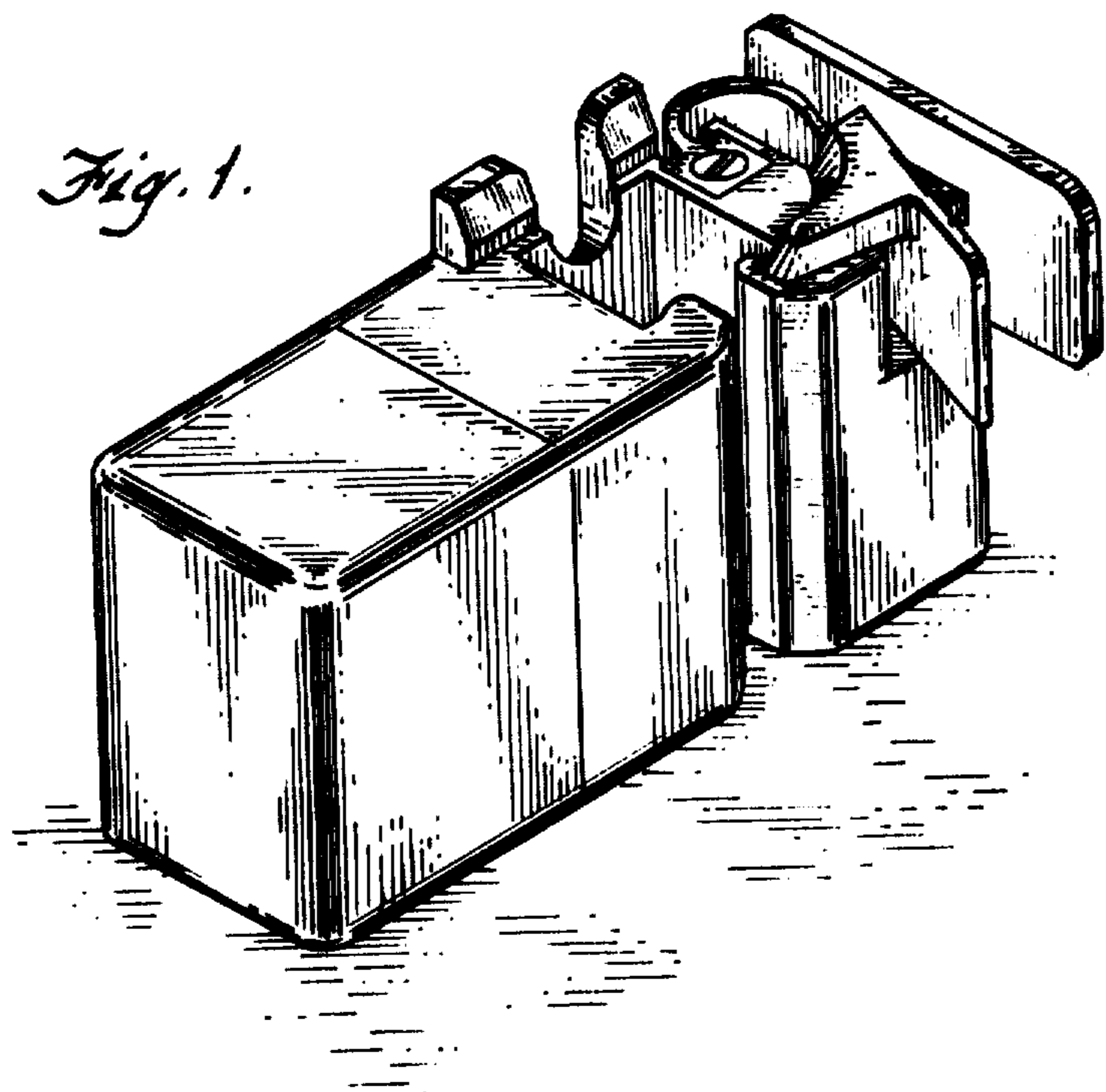
The ornamental design for a flow detector for an intravenous administration set, substantially as shown and described.

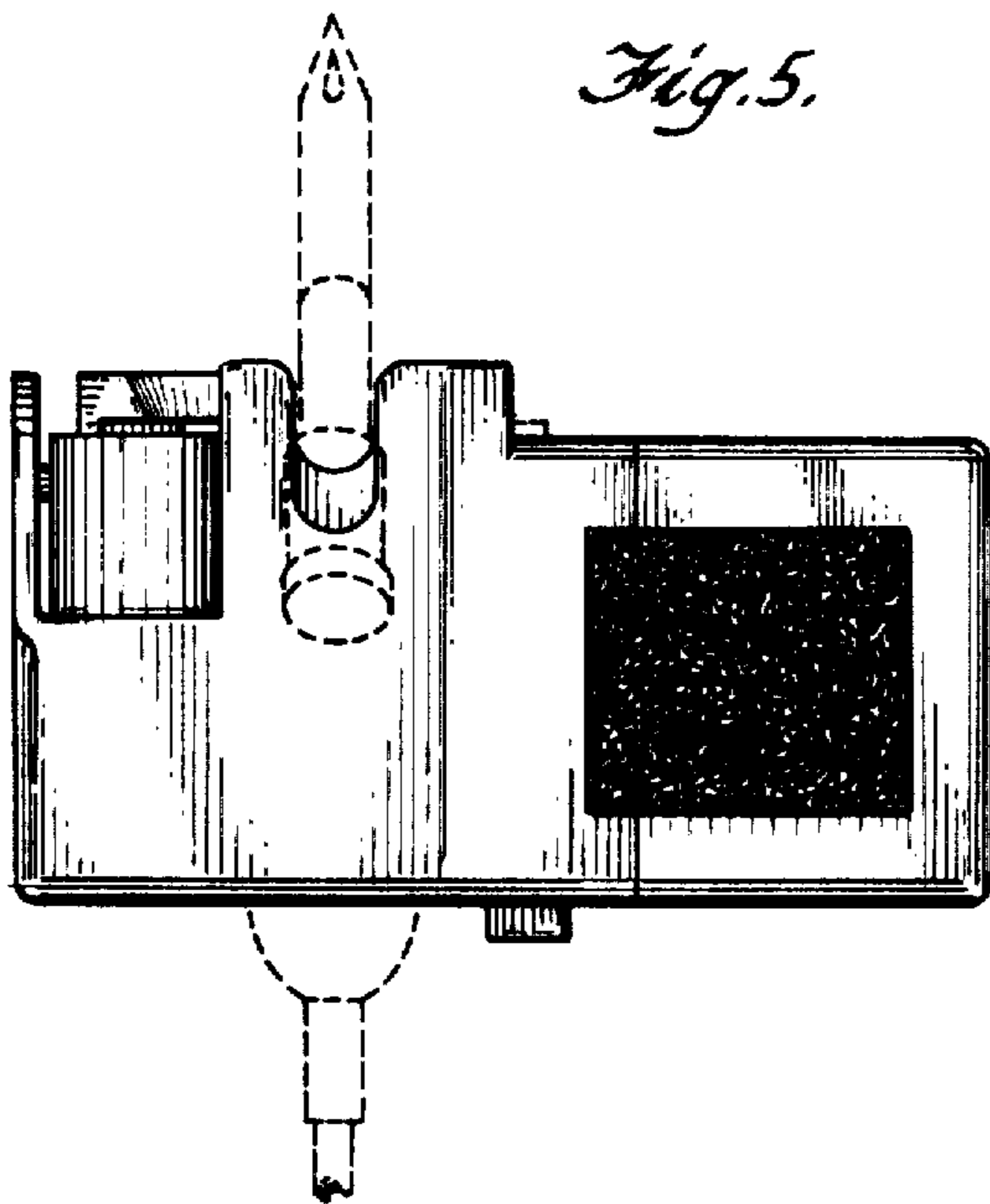
DESCRIPTION

FIG. 1 is a perspective view of a flow detector for an intravenous administration set, showing our new design; FIG. 2 is an end view thereof; FIG. 3 is an end view from the opposing end thereof; FIG. 4 is a front elevational view thereof; FIG. 5 is a back elevational view thereof; FIG. 6 is a top plan view thereof; and FIG. 7 is a bottom plan view thereof.

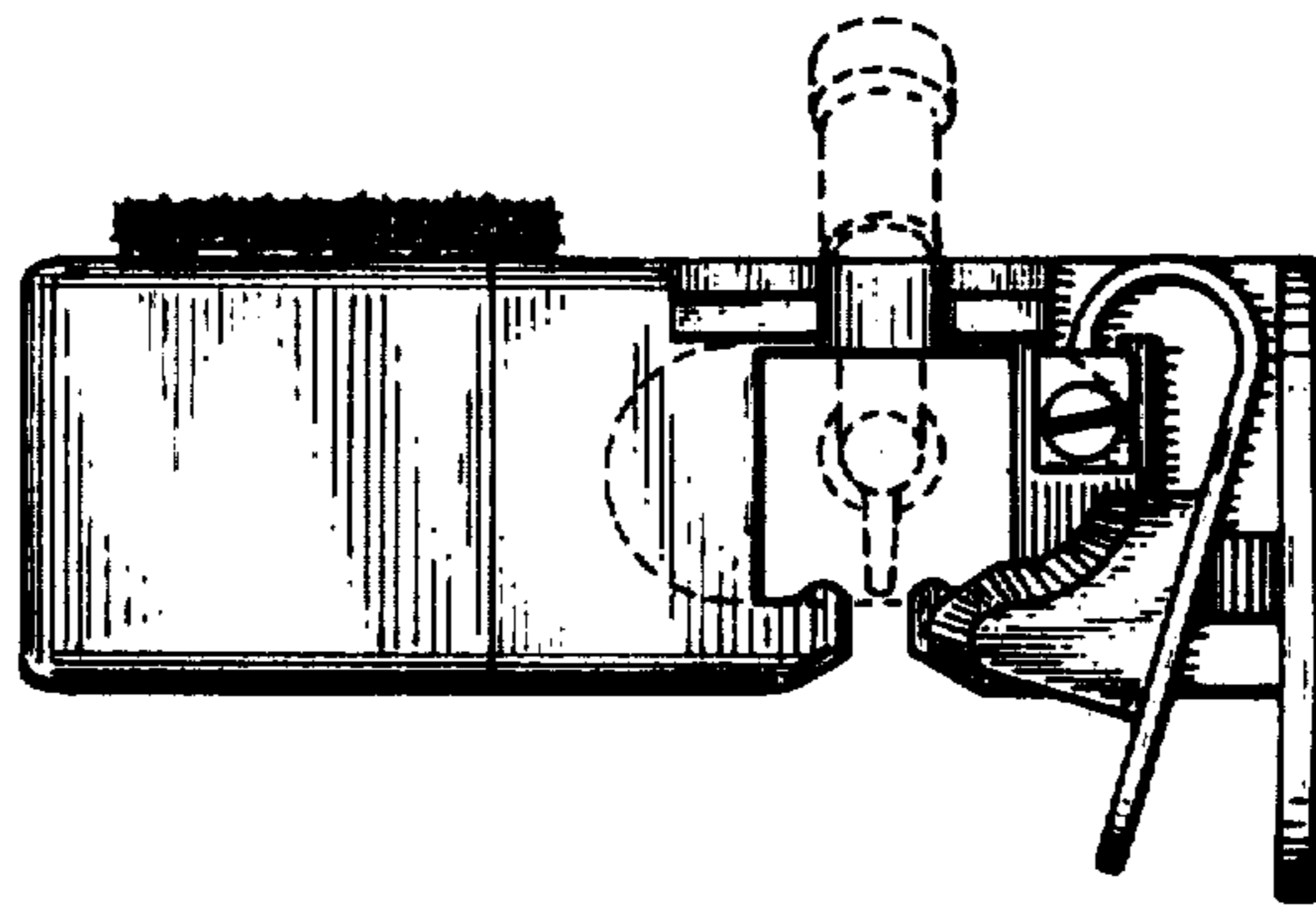
The broken line showing of a vented piercing pin and drip chamber with tubing in FIGS. 2, 3, 4, 5, 6 and 7 is for illustrative purposes only.



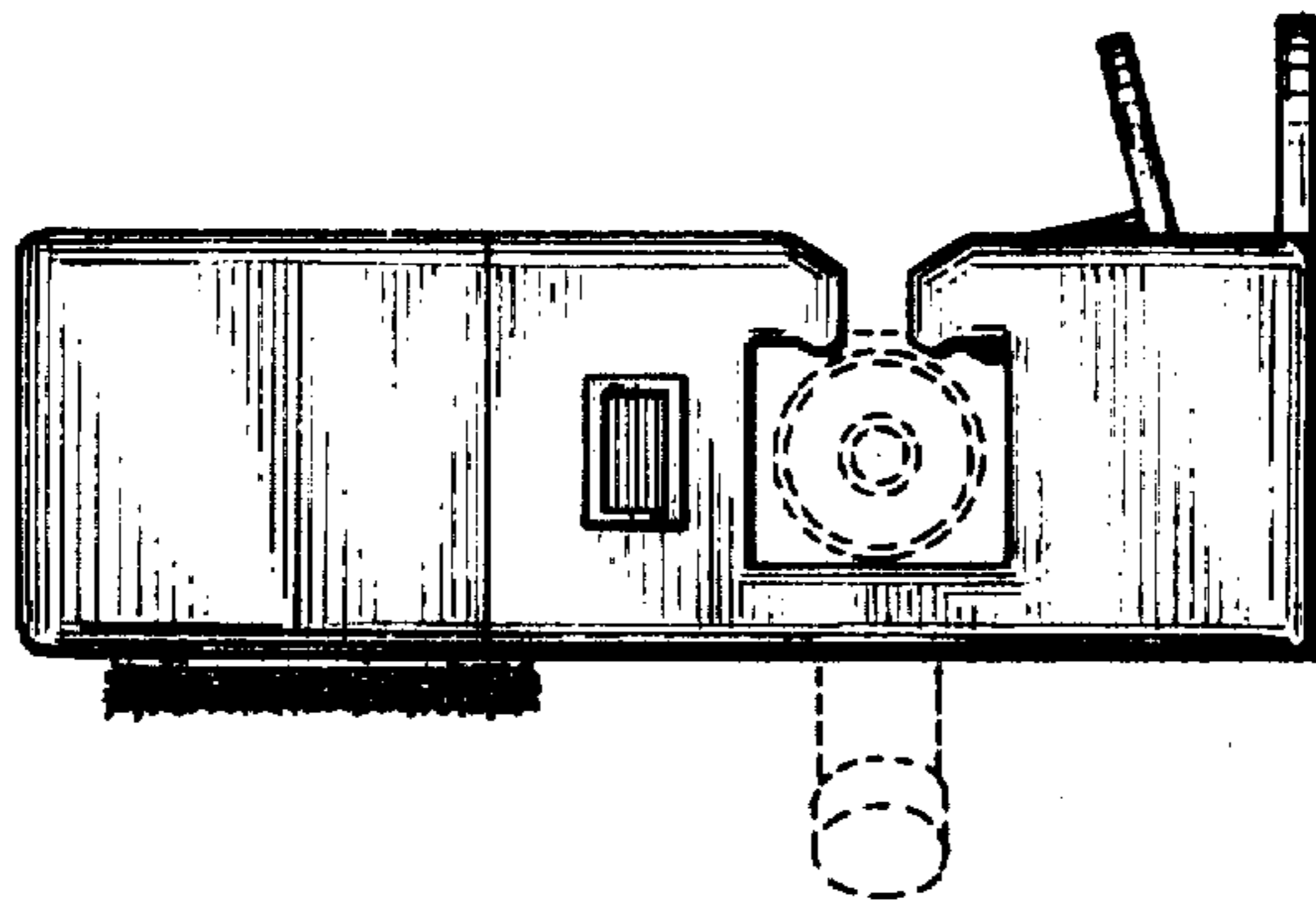




*Fig. 5.*



*Fig. 6.*



*Fig. 7.*