

[54] FACIAL SAUNA

[75] Inventor: Meyrick K. Rogers, Lancaster, Pa.

[73] Assignee: Clairol Incorporated, New York, N.Y.

[\*\*] Term: 14 Years

[21] Appl. No.: 276,575

[22] Filed: Jun. 23, 1981

[52] U.S. Cl. .... D23/148

[58] Field of Search ..... D23/84, 146-148; D24/37; D28/9, 12, 17, 20, 99; 219/271, 273; 128/368

[56] References Cited

U.S. PATENT DOCUMENTS

D. 161,669	1/1951	Zonne	.....	D23/148
D. 208,514	9/1967	Hartwell	.....	D23/148
D. 209,939	1/1968	Grube	.....	D23/148
D. 212,286	9/1968	Mitchell	.....	D23/148

D. 217,719	6/1970	McNair et al.	.....	D23/148
D. 267,898	2/1983	Burian et al.	.....	D23/148
3,152,240	10/1964	Scott	.....	128/368 X
3,707,971	1/1973	Yamamoto	.....	128/368
3,949,743	4/1976	Shanbrom	.....	128/368 X
4,262,374	4/1981	Mikiya et al.	.....	128/368 X

Primary Examiner—James R. Largen  
Attorney, Agent, or Firm—Isaac Jarkovsky; John J. Balsler; Gerald S. Rosen

[57] CLAIM

The ornamental design for a facial sauna, shown and described.

DESCRIPTION

FIG. 1 is a front elevational view of a facial sauna showing my new design;  
FIG. 2 is a side elevational view thereof;  
FIG. 3 is a top plan view thereof;  
FIG. 4 is a back elevational view thereof; and  
FIG. 5 is a bottom plan view thereof.

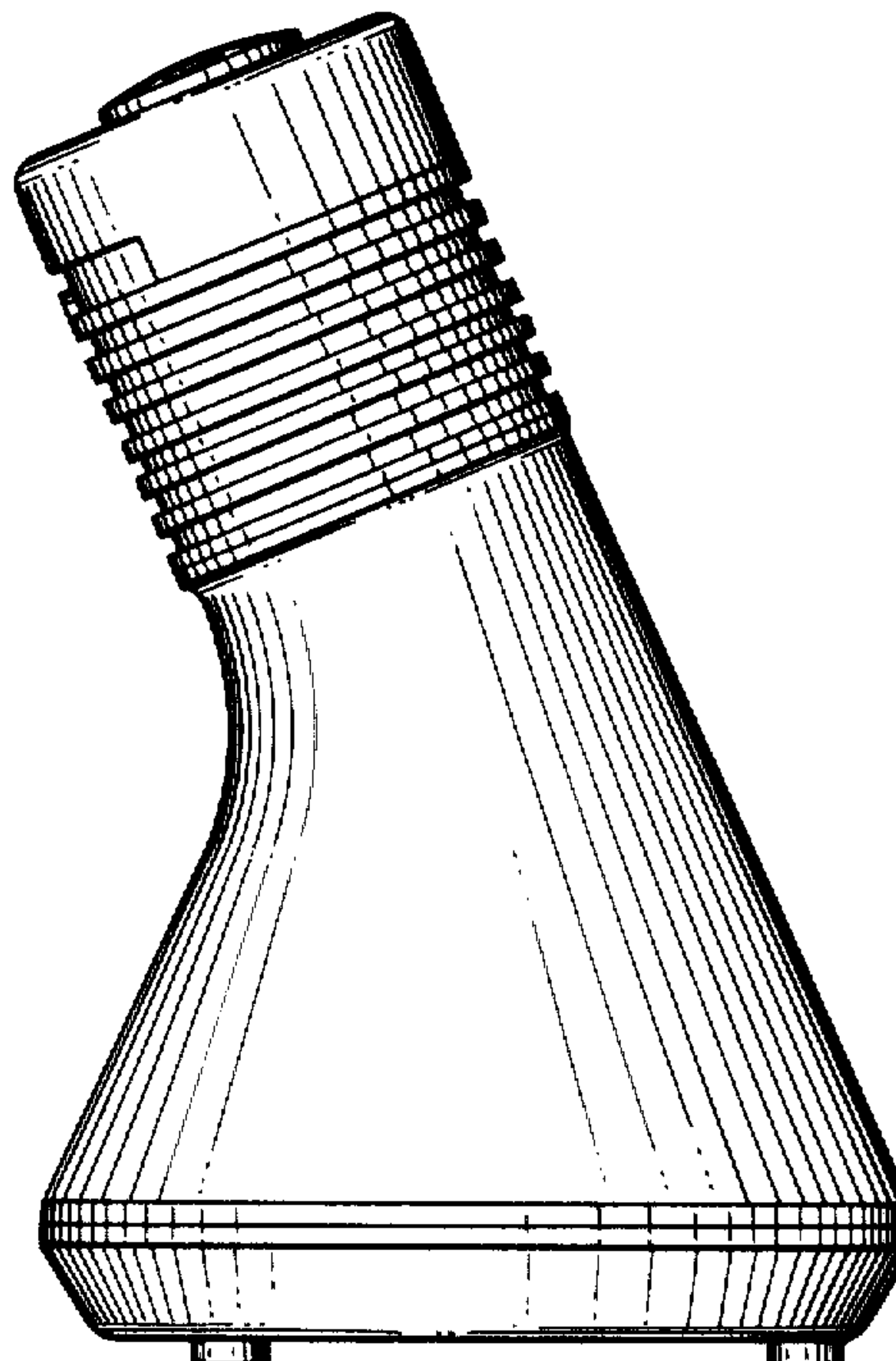
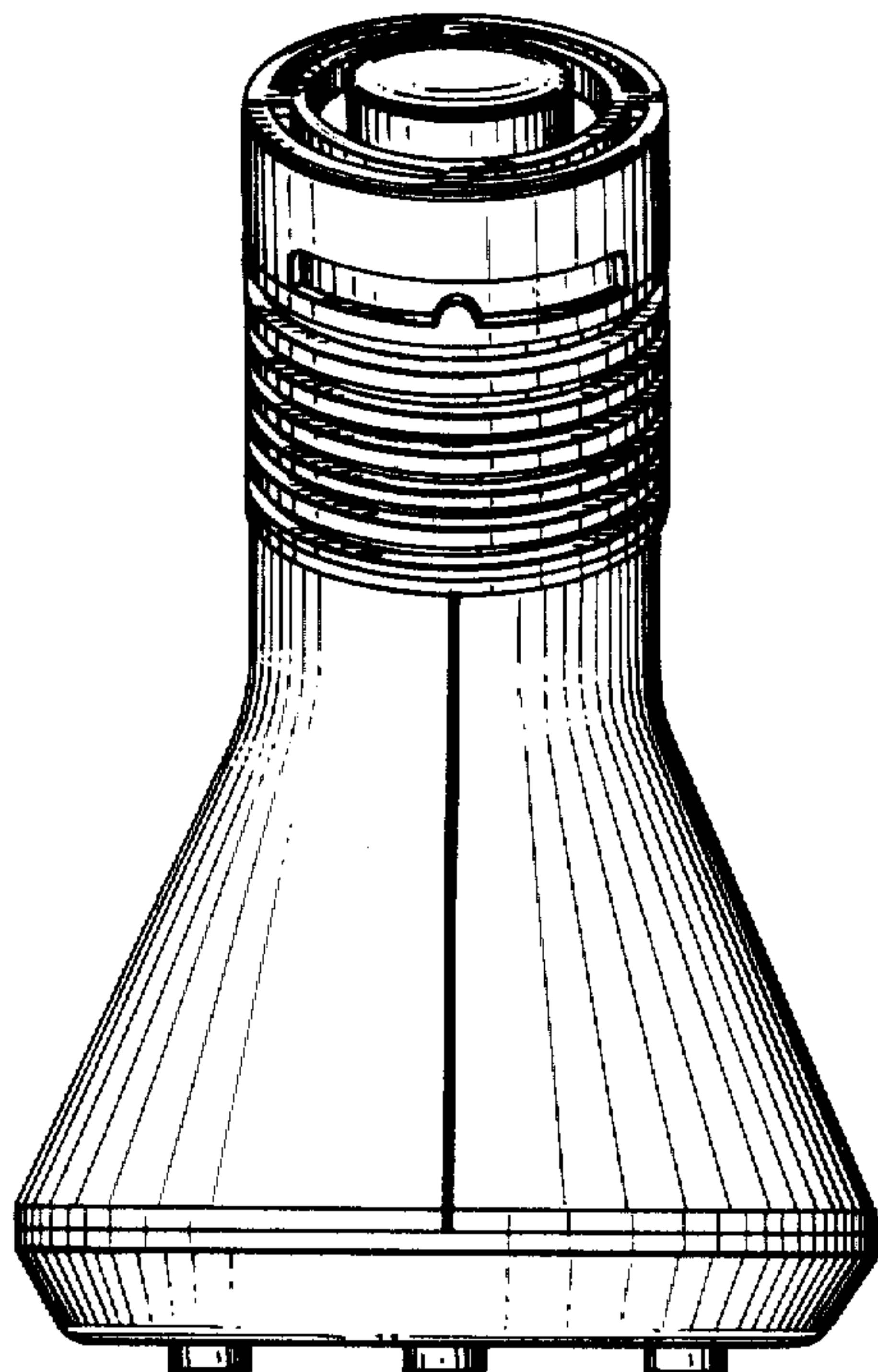


FIG. 1

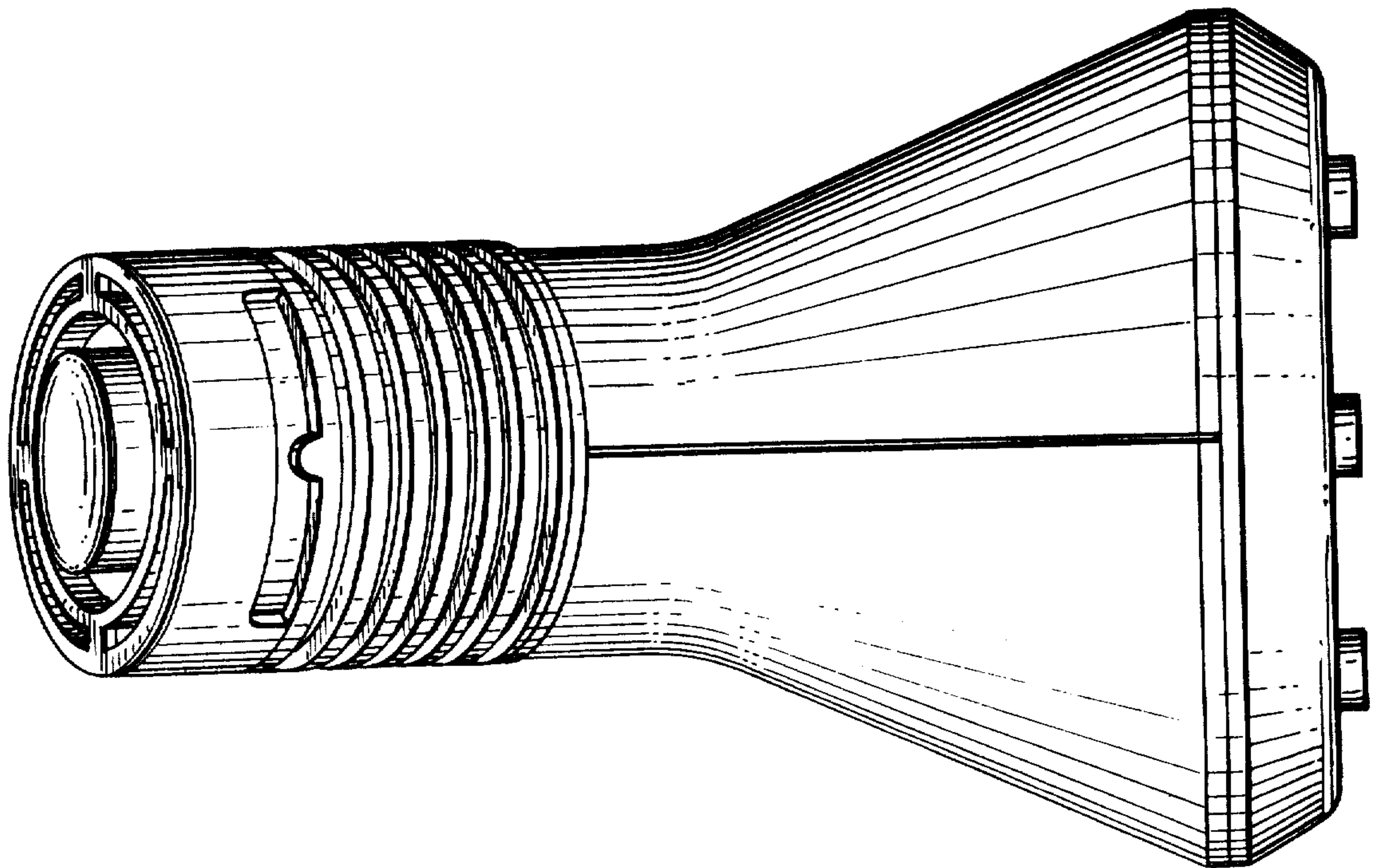


FIG. 2

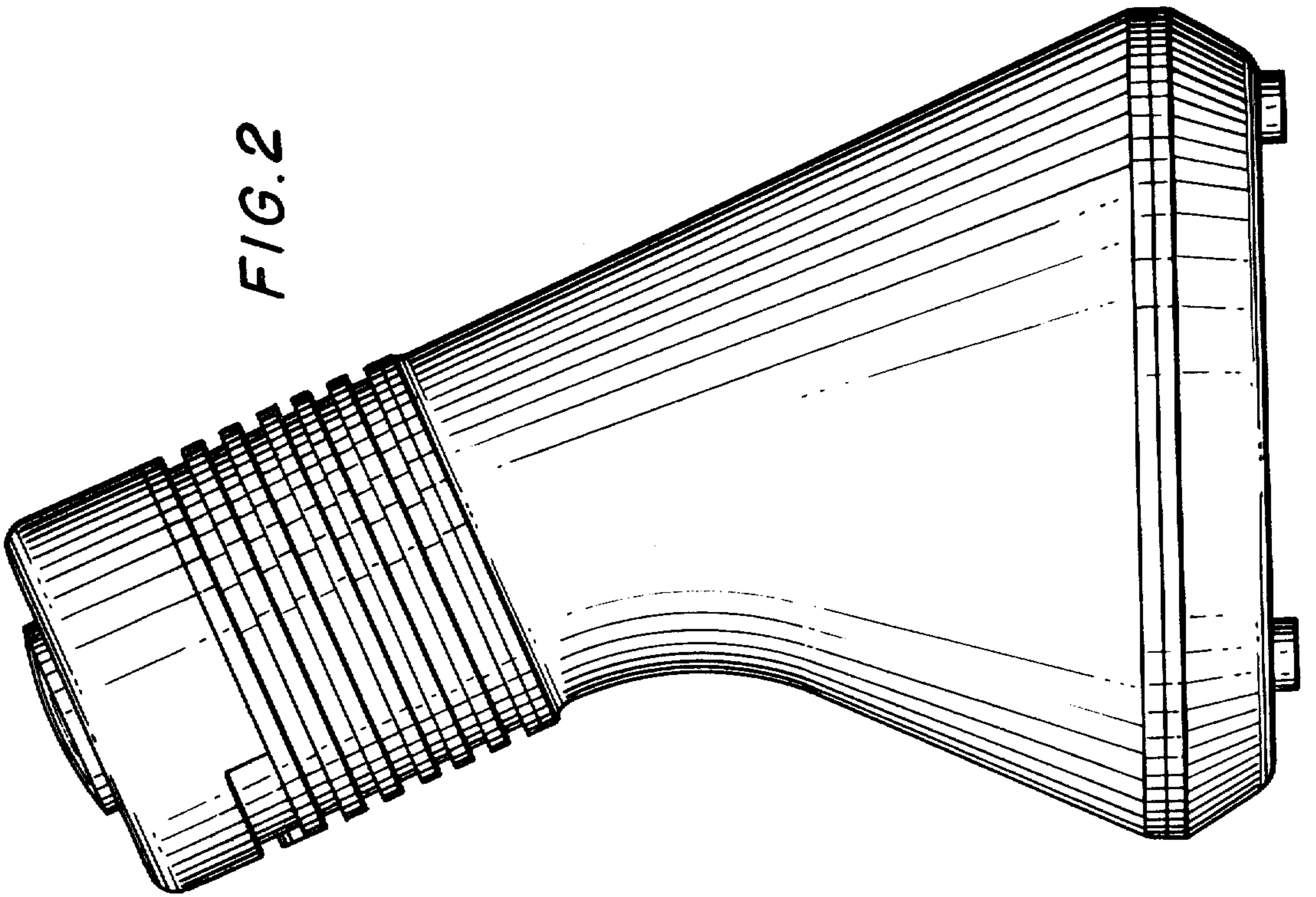




FIG. 5

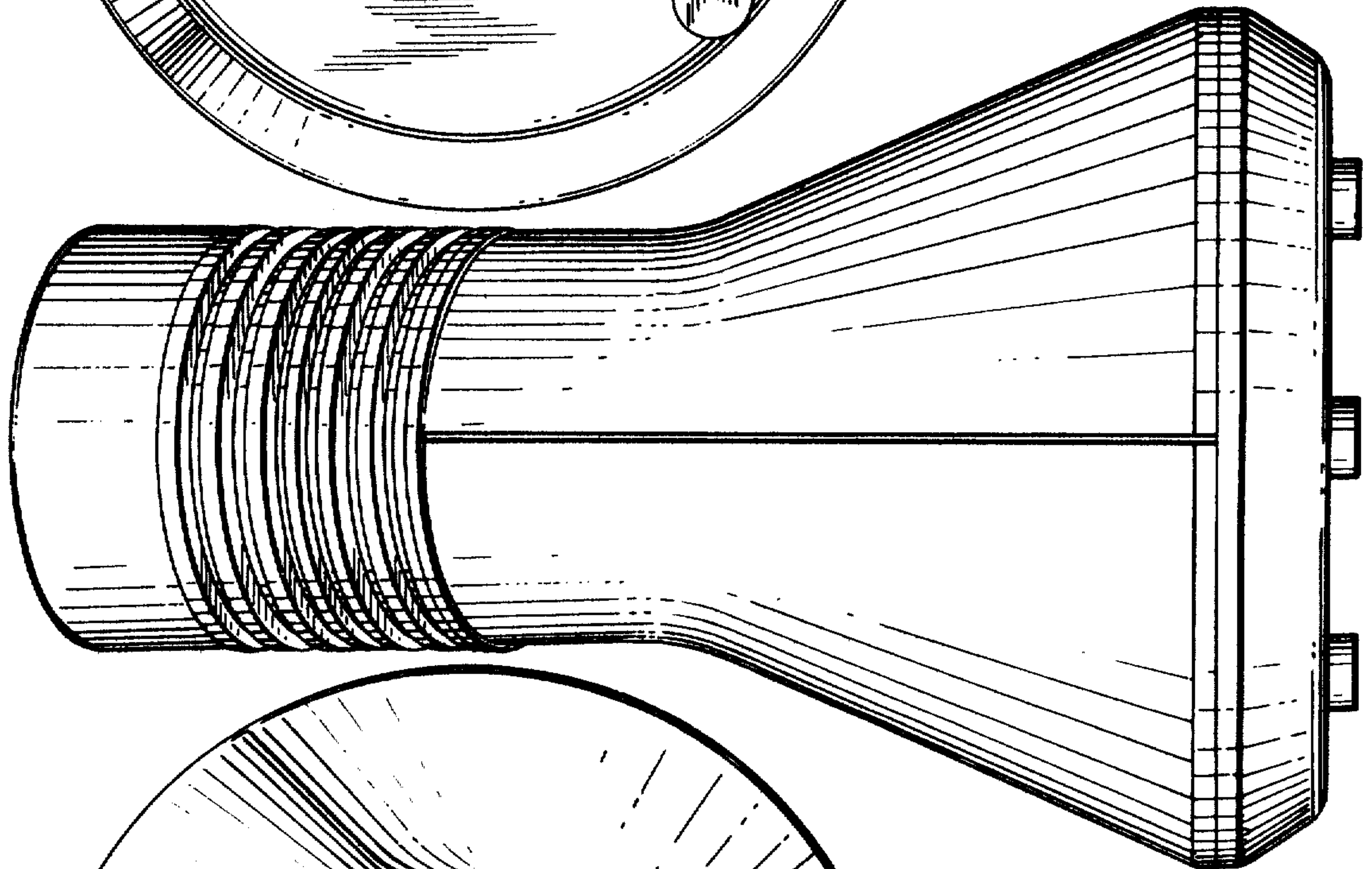
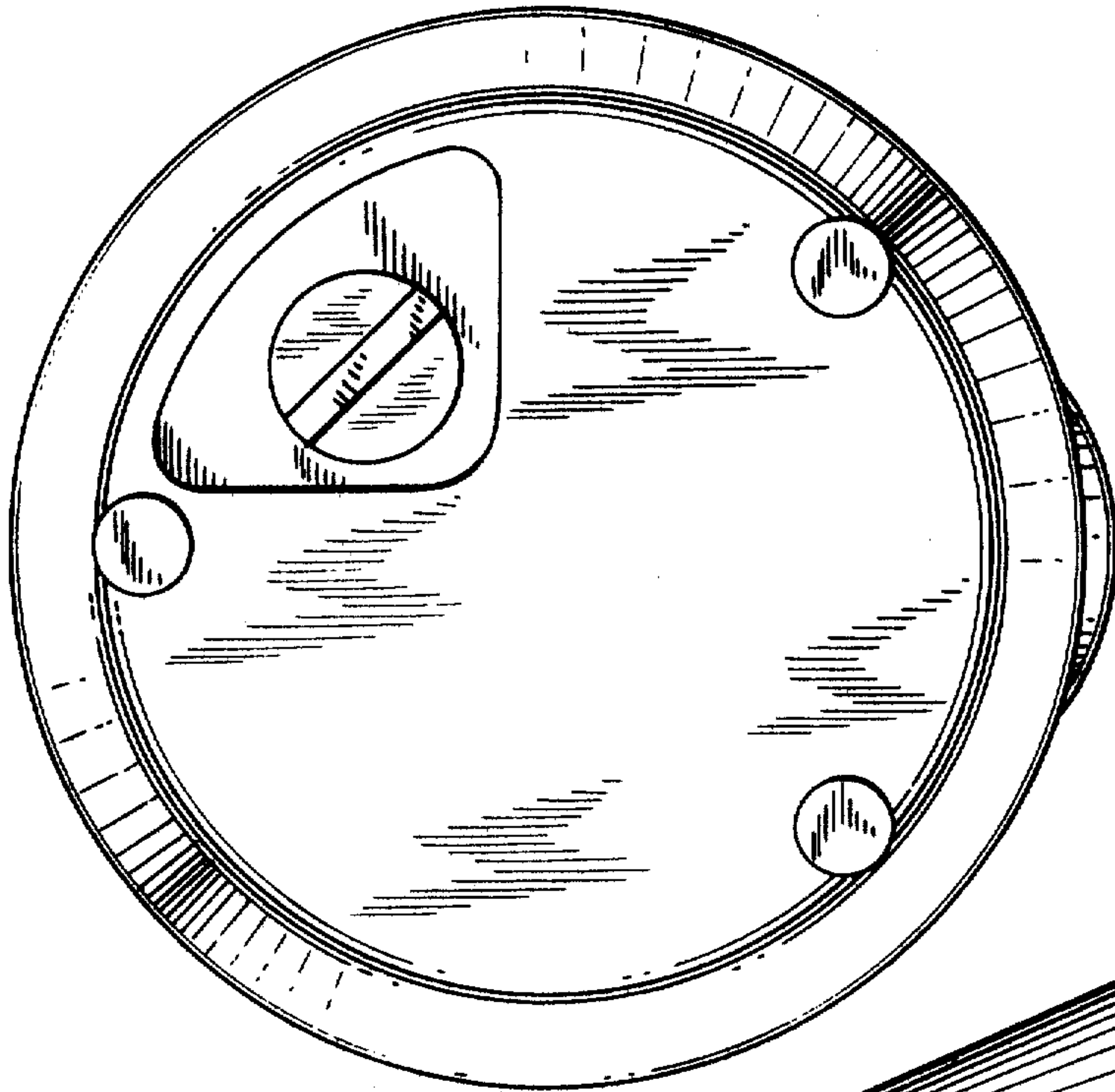


FIG. 4

FIG. 3

