

[54] MOISTURE DIVERTING SLEEVE FOR TOILET DRAINPIPE

[76] Inventor: Kenneth E. McMurray, 3411 Buckner Dr., San Jose, Calif. 95127

[\*\*] Term: 14 Years

[21] Appl. No.: 312,514

[22] Filed: Oct. 19, 1981

[52] U.S. Cl. .... D23/69; 4/252 A

[58] Field of Search ..... D23/69-71; 4/252 R, 252 A; 165/70; 206/519; 220/1 C; 215/100.5; 285/13, 14

[56] References Cited

U.S. PATENT DOCUMENTS

D. 150,306 7/1948 Laufenberg ..... D23/69

D. 155,875 11/1949 Davidson ..... D23/69  
1,863,211 6/1932 Wimmer ..... 4/252 A  
2,156,174 4/1939 Braatz ..... 4/252 A  
2,180,902 11/1939 Herodes et al. .... 4/252 A  
2,320,187 5/1943 Lawler ..... 4/252 A

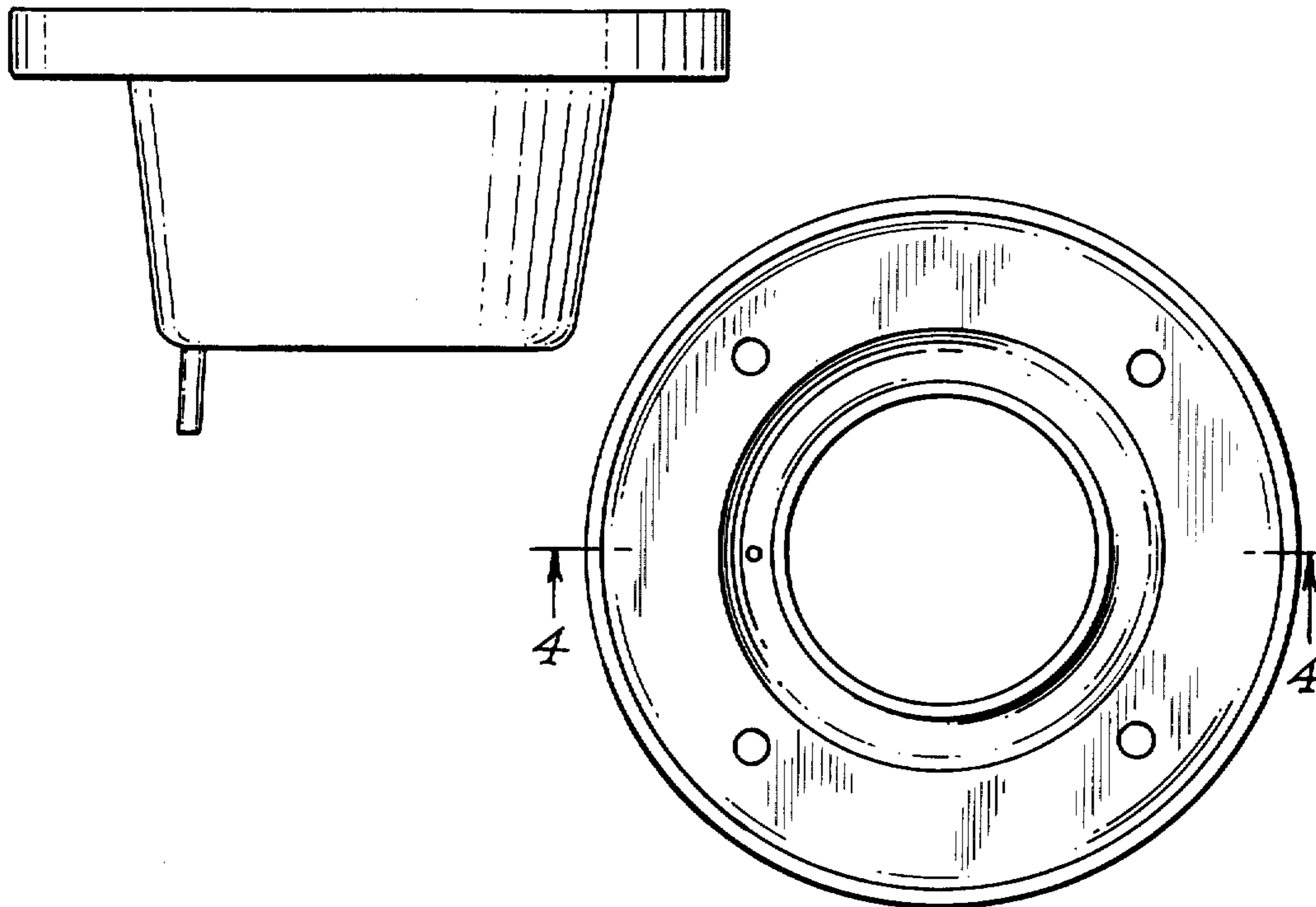
Primary Examiner—James R. Largen  
Attorney, Agent, or Firm—Paul L. Hickman

[57] CLAIM

The ornamental design for a moisture diverting sleeve for toilet drainpipe, as shown.

DESCRIPTION

FIG. 1 is a side elevational view of a moisture diverting sleeve for toilet drainpipe showing my new design.  
FIG. 2 is a top plan view.  
FIG. 3 is a bottom plan view.  
FIG. 4 is a cross sectional view taken along line 4—4 of FIG. 2.



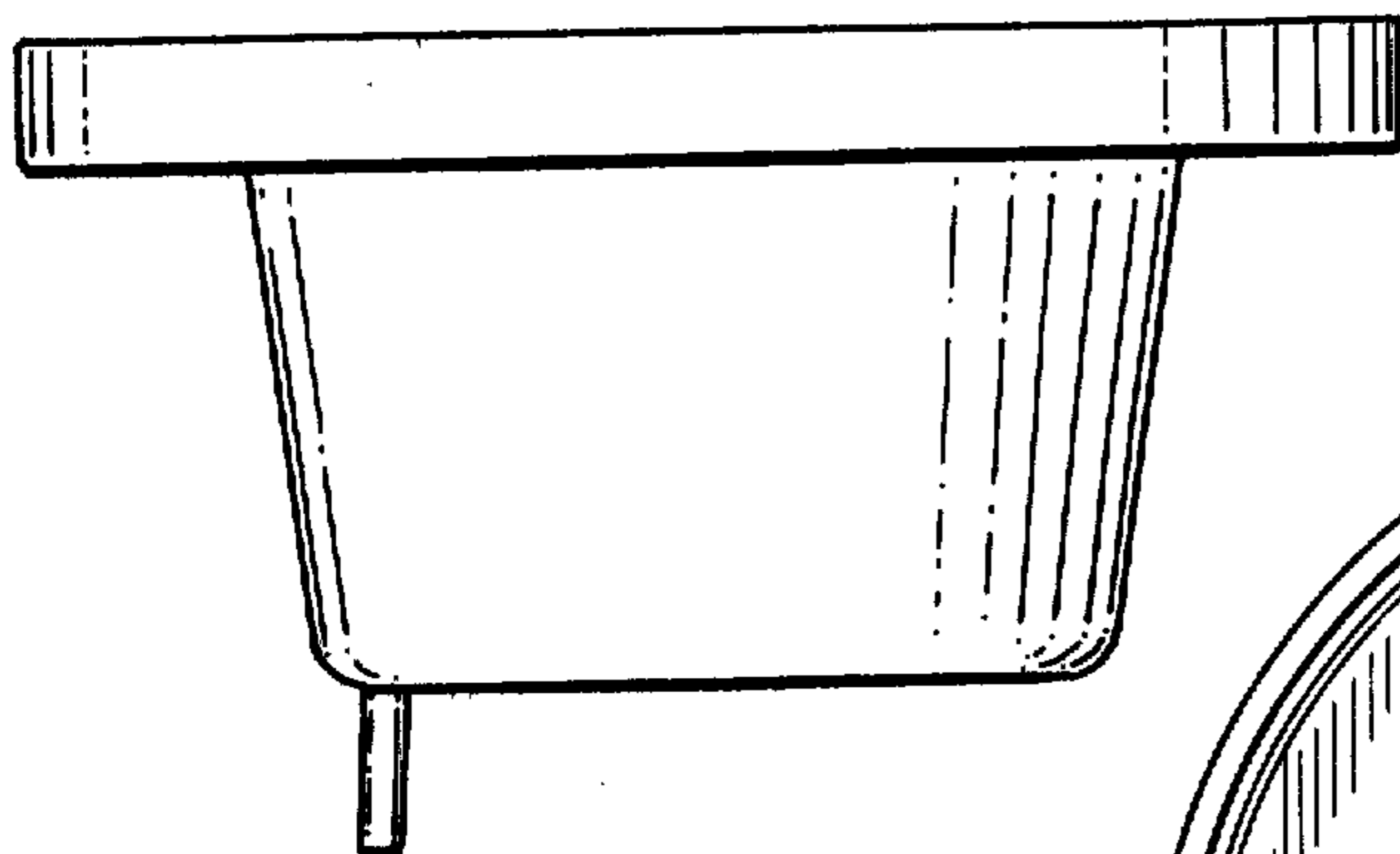


FIG. 1-

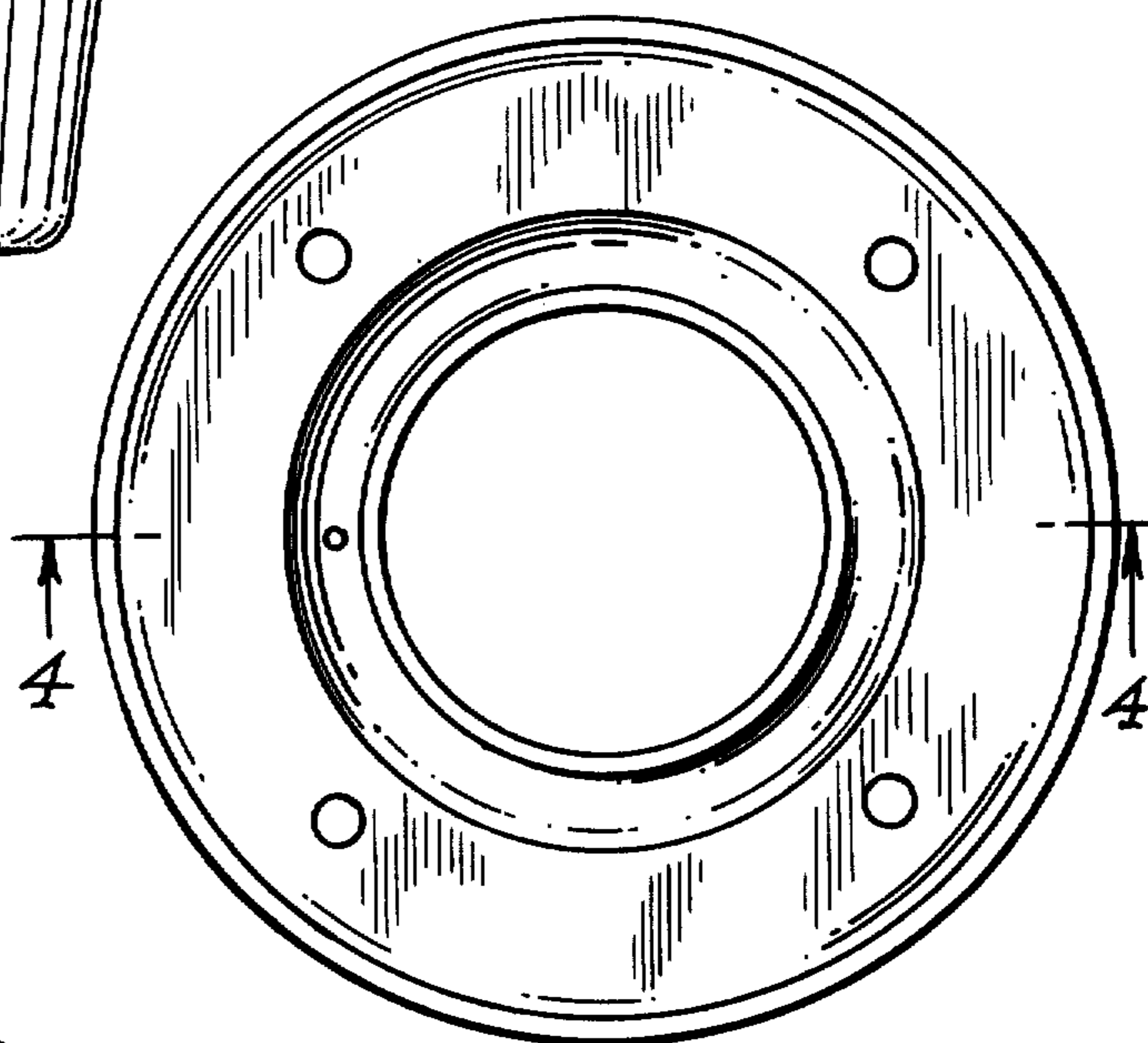


FIG. 2-

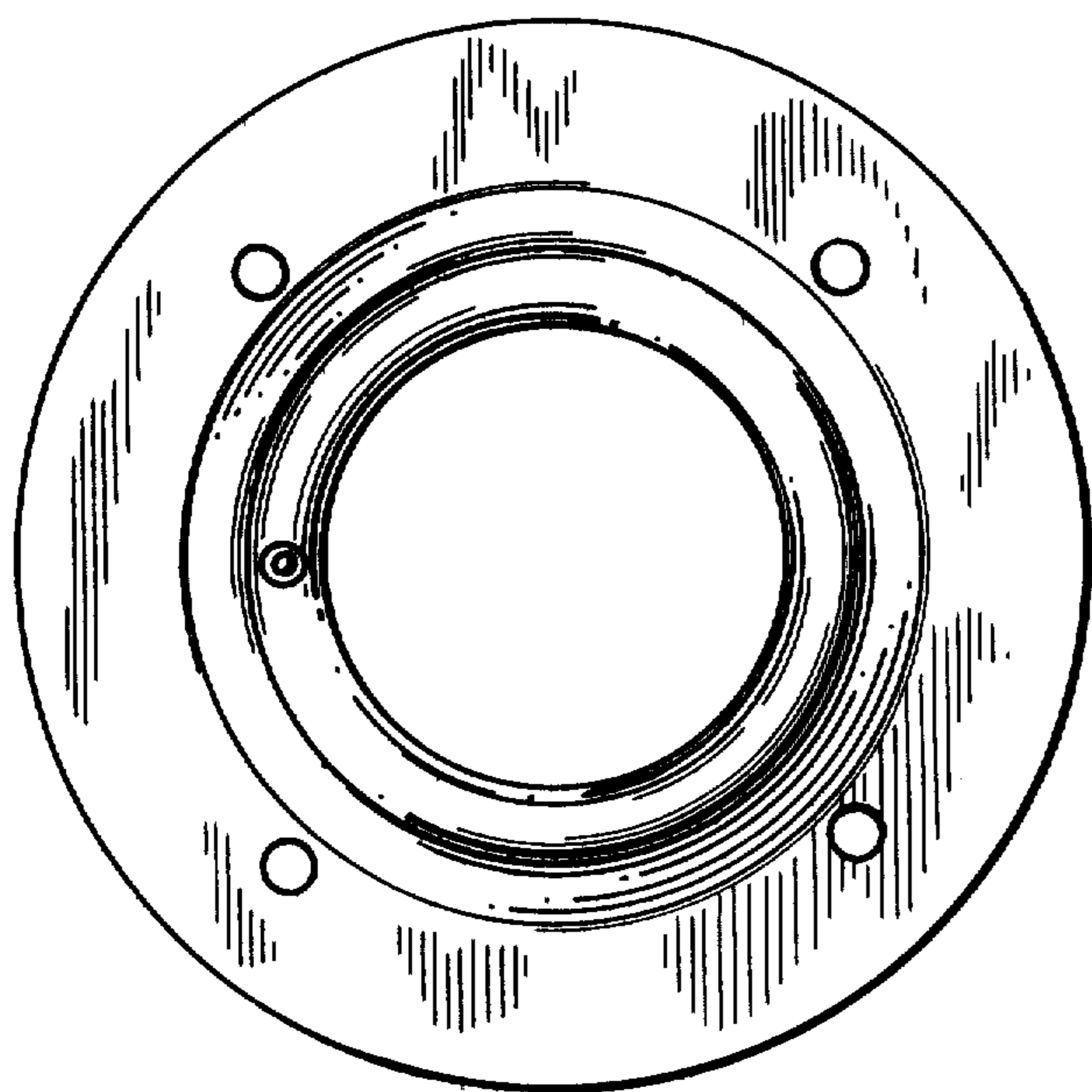


FIG. 3-

FIG. 4-

