

[54] **TOY TRUMPET**

[75] Inventor: **Yuichi Takahashi**, Tokyo, Japan

[73] Assignee: **Tomy Kogyo Co., Inc.**, Japan

[**] Term: **14 Years**

[21] Appl. No.: **346,286**

[22] Filed: **Feb. 5, 1982**

[30] **Foreign Application Priority Data**

Aug. 31, 1981 [JP] Japan 56-38443

[52] U.S. Cl. **D21/64; D17/11**

[58] Field of Search **D21/64, 65; D17/11;**
46/178, 181, 44

[56] **References Cited**

U.S. PATENT DOCUMENTS

D. 165,946 2/1952 Thompson D21/64

D. 251,926 5/1979 Satten D21/64
3,420,133 1/1969 Proll 46/181
3,808,733 5/1974 Pipa 46/44

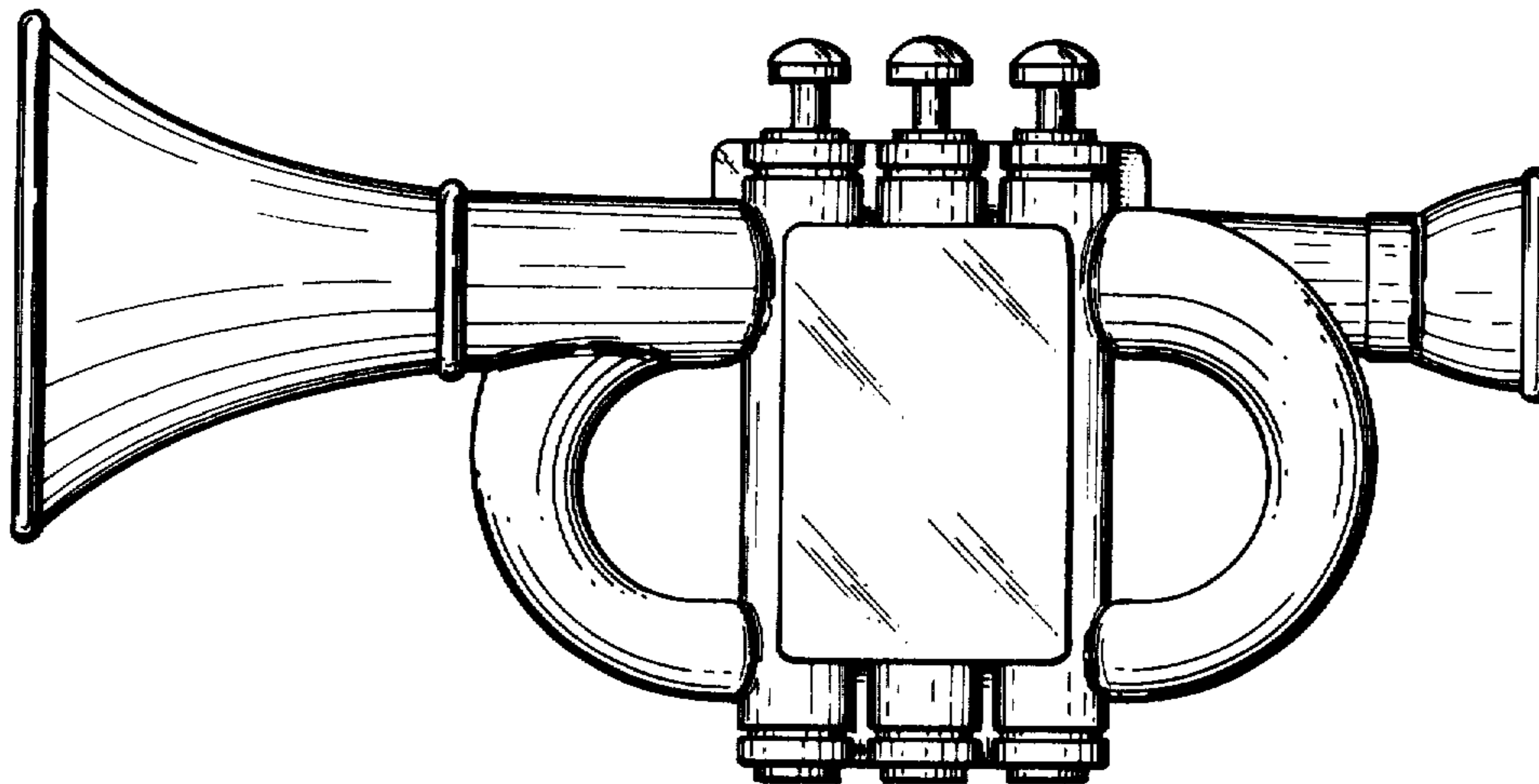
Primary Examiner—Charles A. Rademaker
Attorney, Agent, or Firm—K. H. Boswell; Edward D. O'Brian

[57] **CLAIM**

The ornamental design for a toy trumpet, substantially as shown and described.

DESCRIPTION

FIG. 1 is a right side elevational view of a toy trumpet showing my new design;
FIG. 2 is a top plan view thereof;
FIG. 3 is a front elevational view thereof;
FIG. 4 is a left side elevational view thereof;
FIG. 5 is a bottom plan view thereof;
FIG. 6 is a rear elevational view thereof.



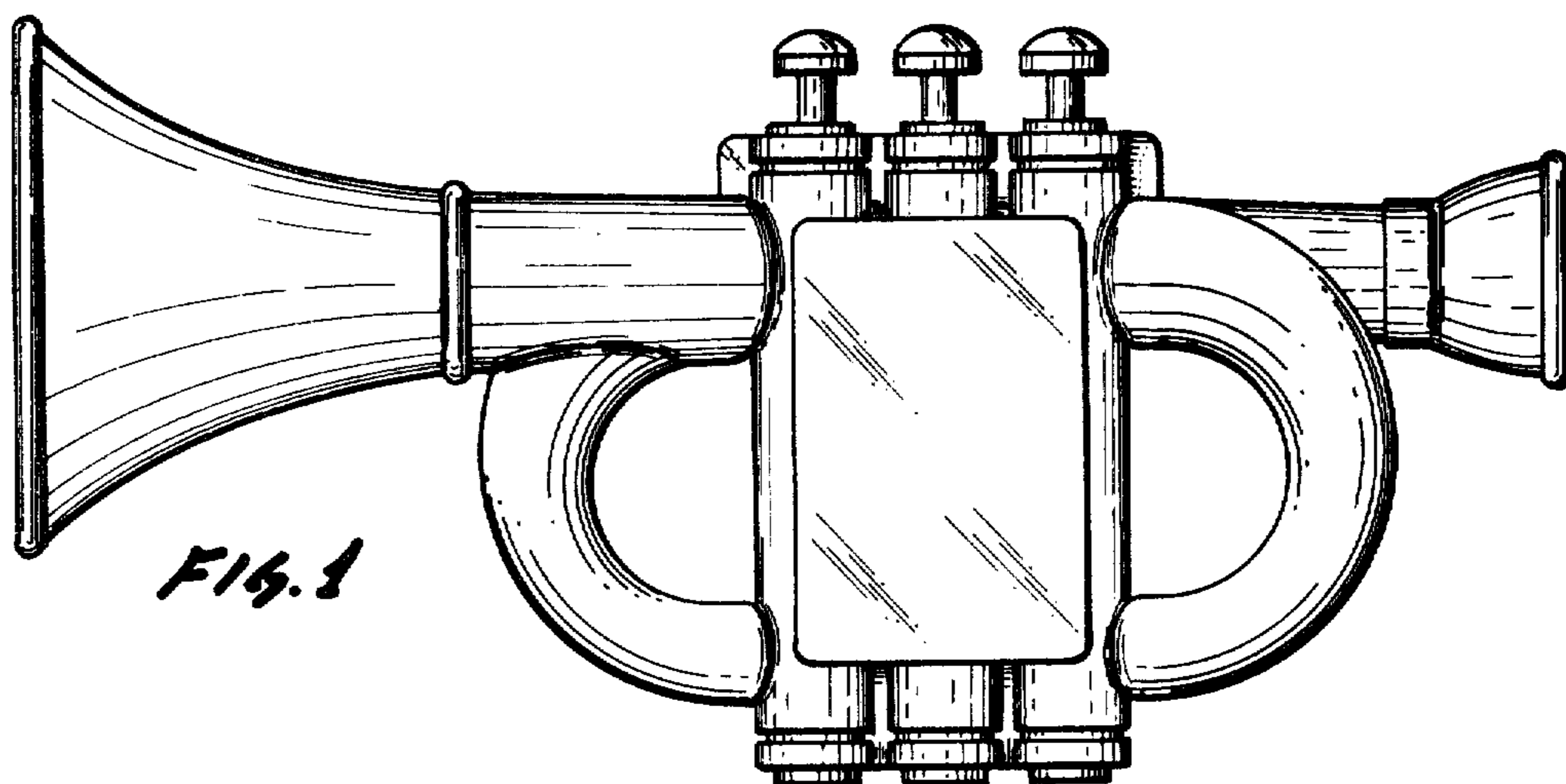


Fig. 1

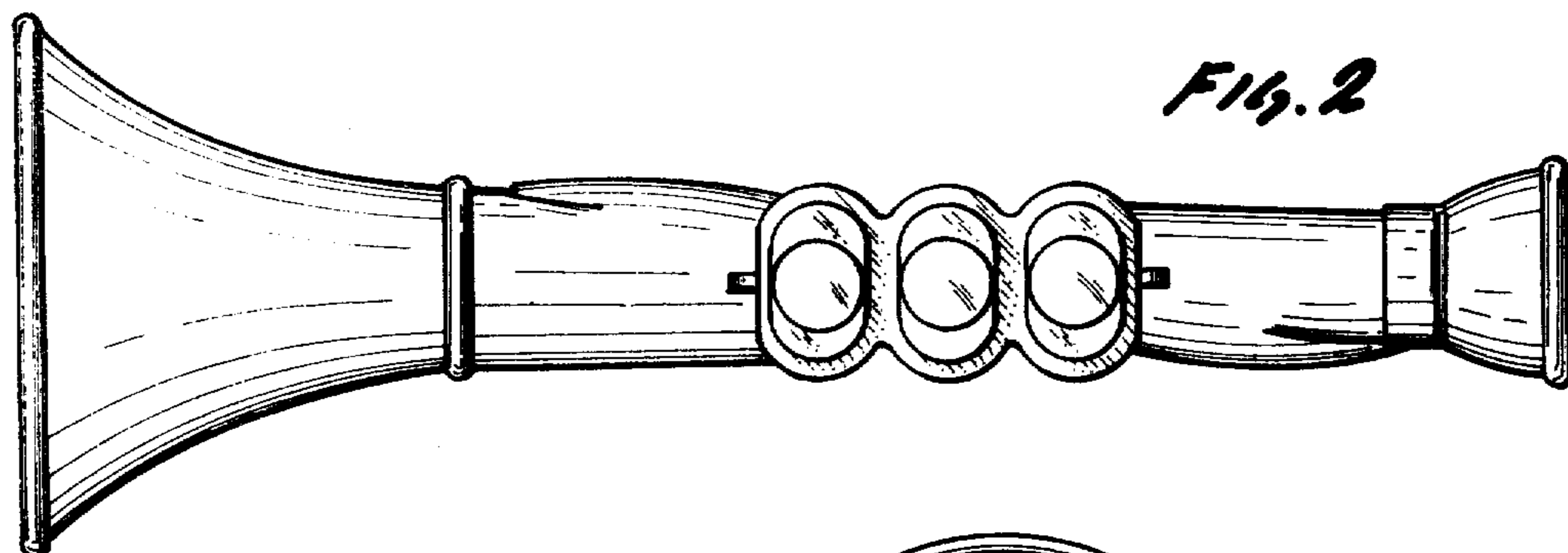


Fig. 2

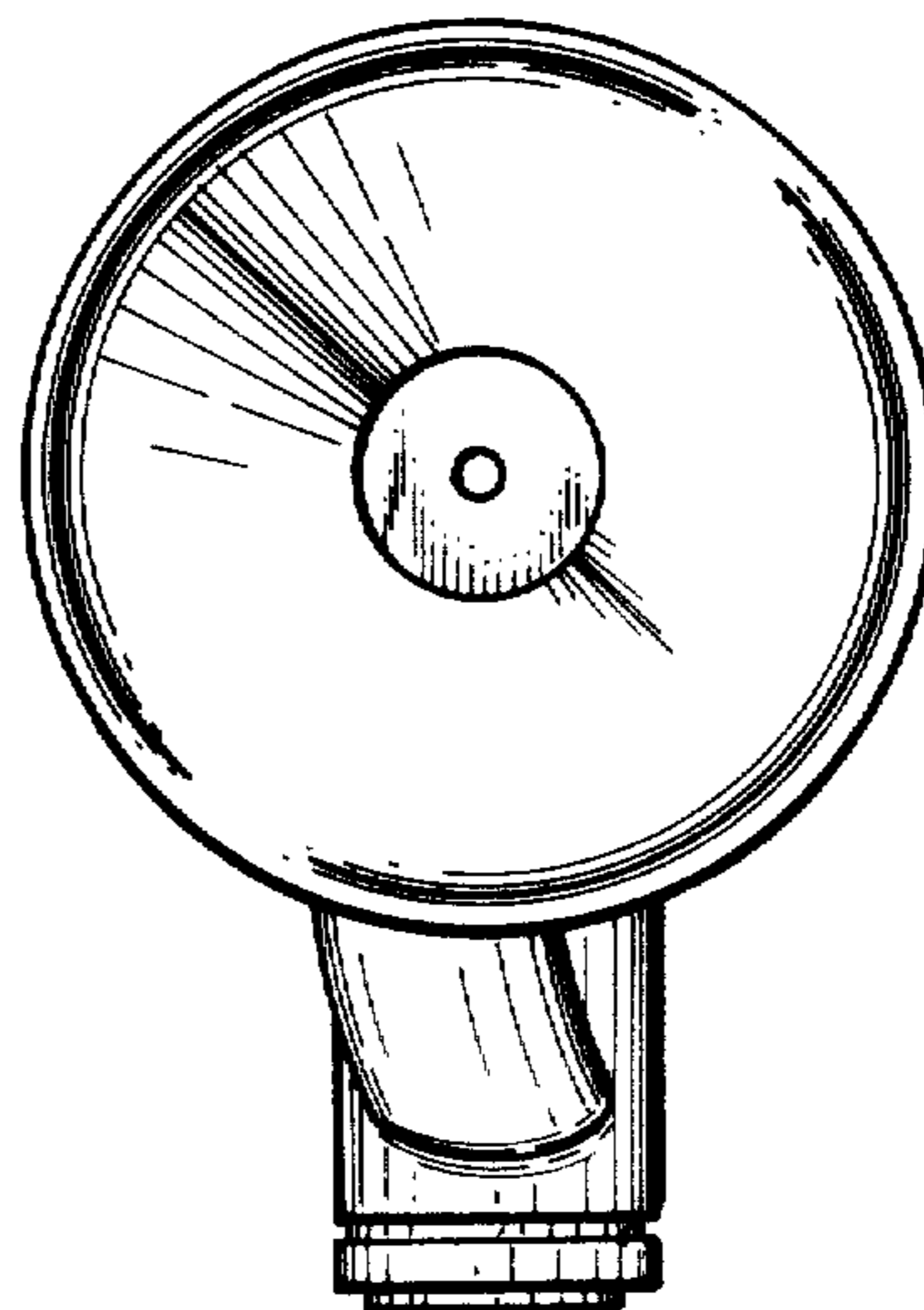


Fig. 3

