

[54] EMBOSSING TOOL

[75] Inventor: James Lee, Oakland, Calif.

[73] Assignee: Esselte Dymo N V, Belgium

[\*\*] Term: 14 Years

[21] Appl. No.: 356,412

[22] Filed: Mar. 9, 1982

[30] Foreign Application Priority Data

Sep. 9, 1981 [GB] United Kingdom ..... 1002391

[52] U.S. Cl. .... D18/19

[58] Field of Search ..... D18/13-15,  
D18/18, 19, 22, 99; D19/68; 101/288;  
400/134.4-134.6; 156/384, DIG. 48, DIG. 49

[56] References Cited

U.S. PATENT DOCUMENTS

D. 197,817 3/1964 Avery ..... D18/19

D. 203,084 11/1965 Lee ..... D18/19

D. 209,023 10/1967 Humphrey et al. .... D18/19

3,289,803 12/1966 Pedersen ..... D18/19 X

3,339,694 9/1967 Travaglio ..... D18/19 X

OTHER PUBLICATIONS

*Amsterdam Co. Flyer*, Dymo Tapewriter Style 18000.  
*Dymo Fullin User Price List Form No. 1(R-5)* ©1968,  
p. 2-Mark VI Dual Track Labelmaker.

*Primary Examiner*—Louis S. Zarfes  
*Attorney, Agent, or Firm*—Maky, Renner, Otto &  
Boisselle

[57] CLAIM

The ornamental design for an embossing tool, substantially as shown and described.

DESCRIPTION

FIG. 1 is a perspective view from the front, one side and above of an embossing tool showing my new design; FIG. 2 is a perspective view from the rear, below and the other side thereof; and FIG. 3 is a side elevation showing said one side.

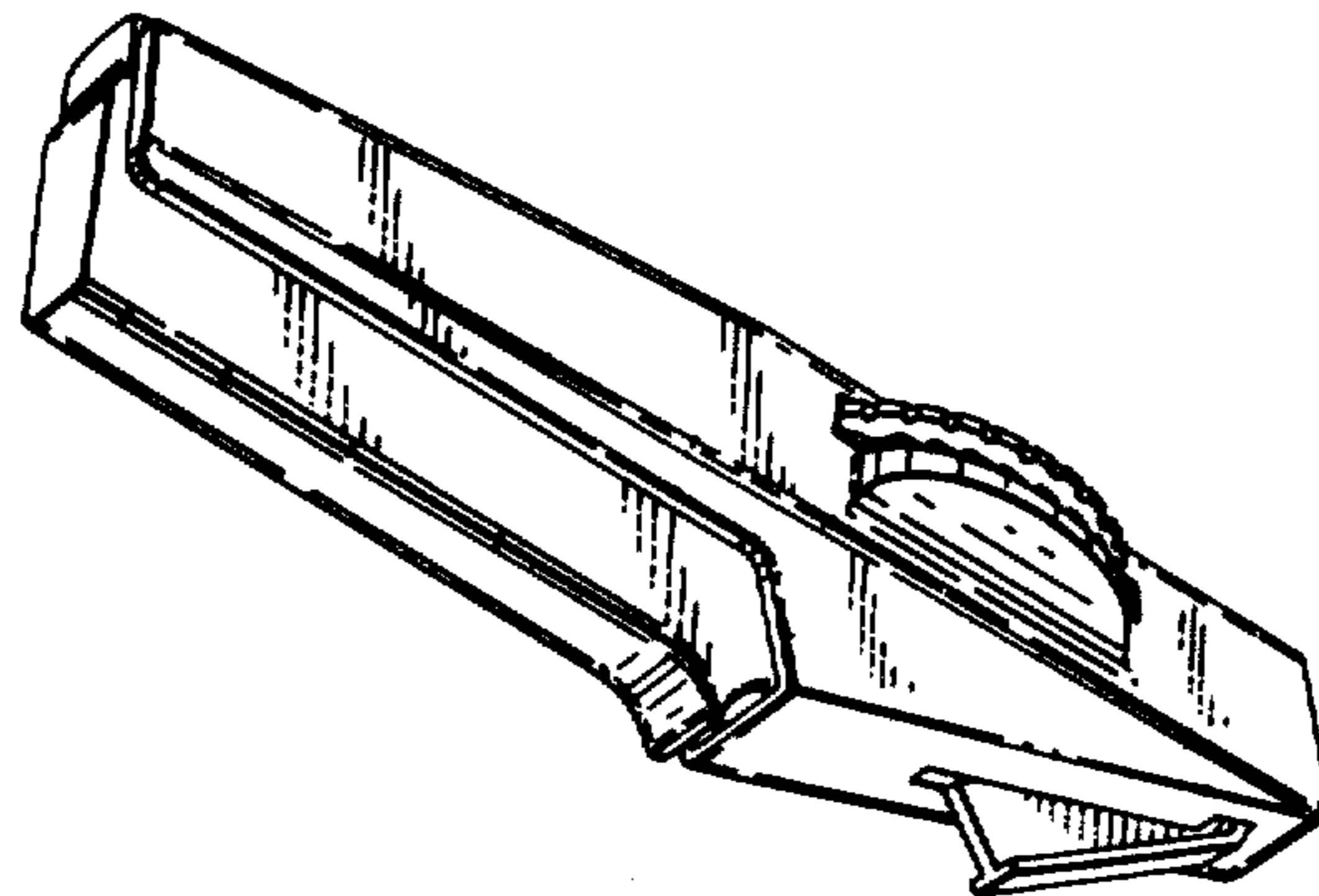
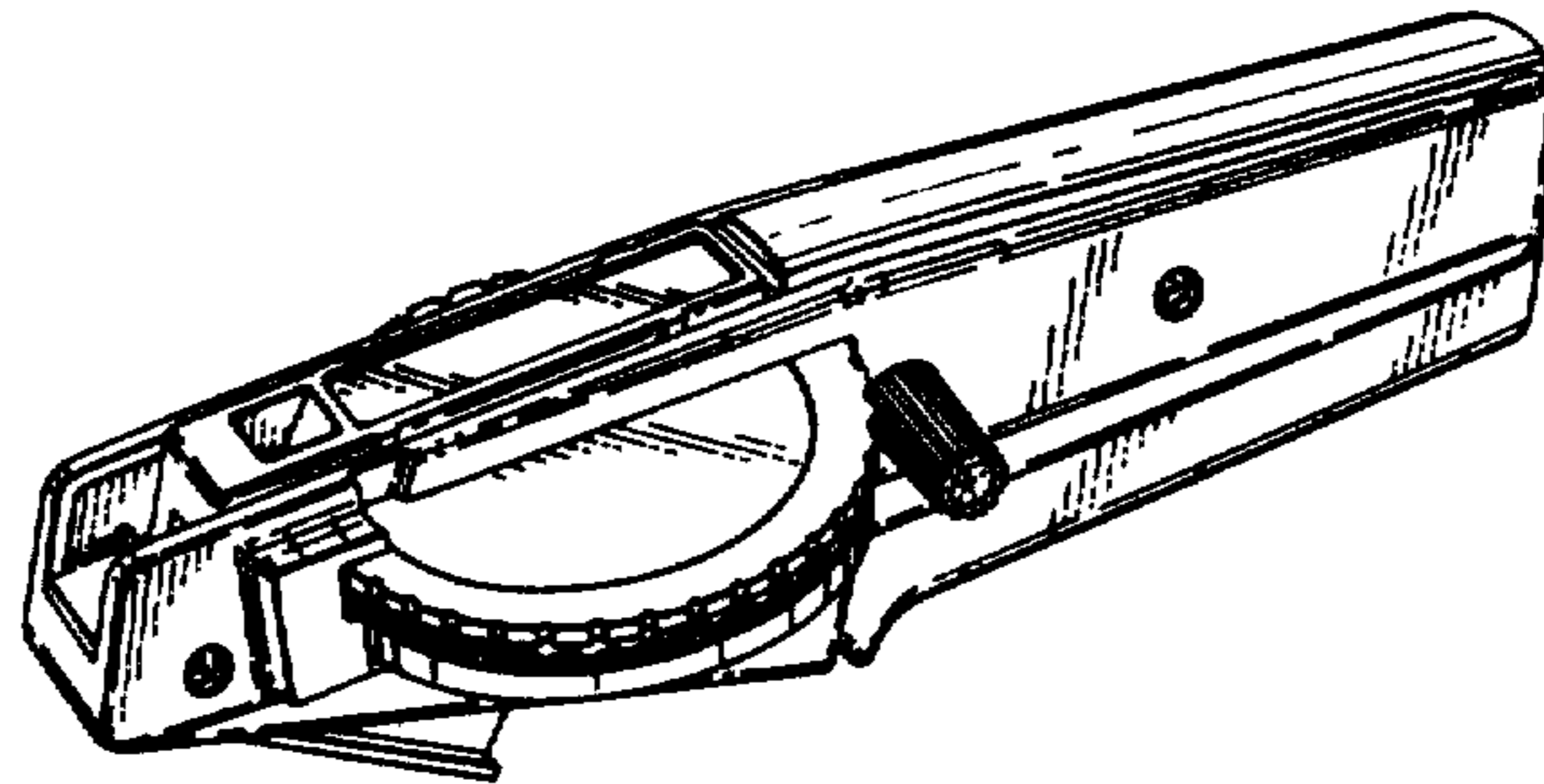


FIG. 1.

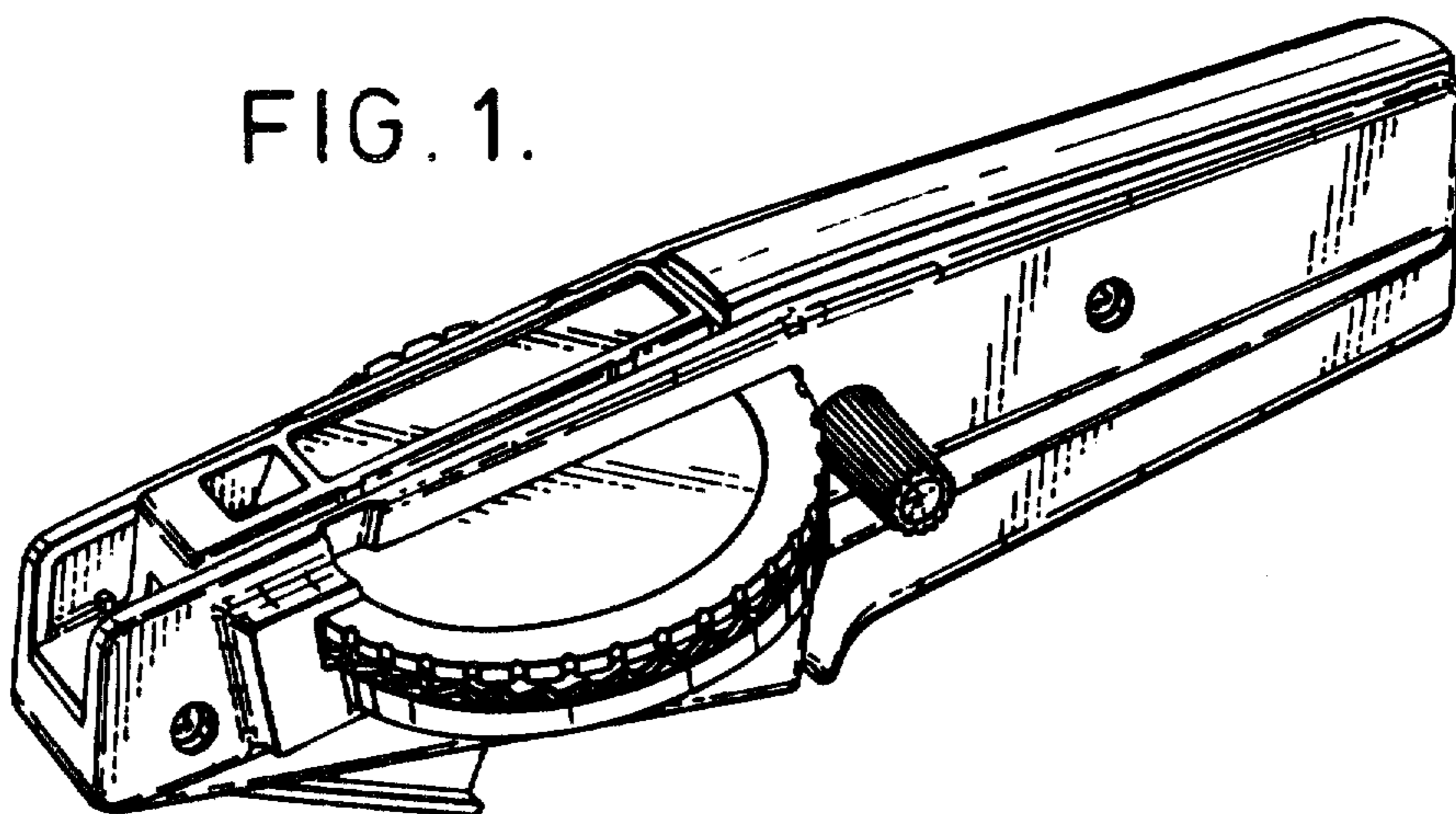


FIG. 2.

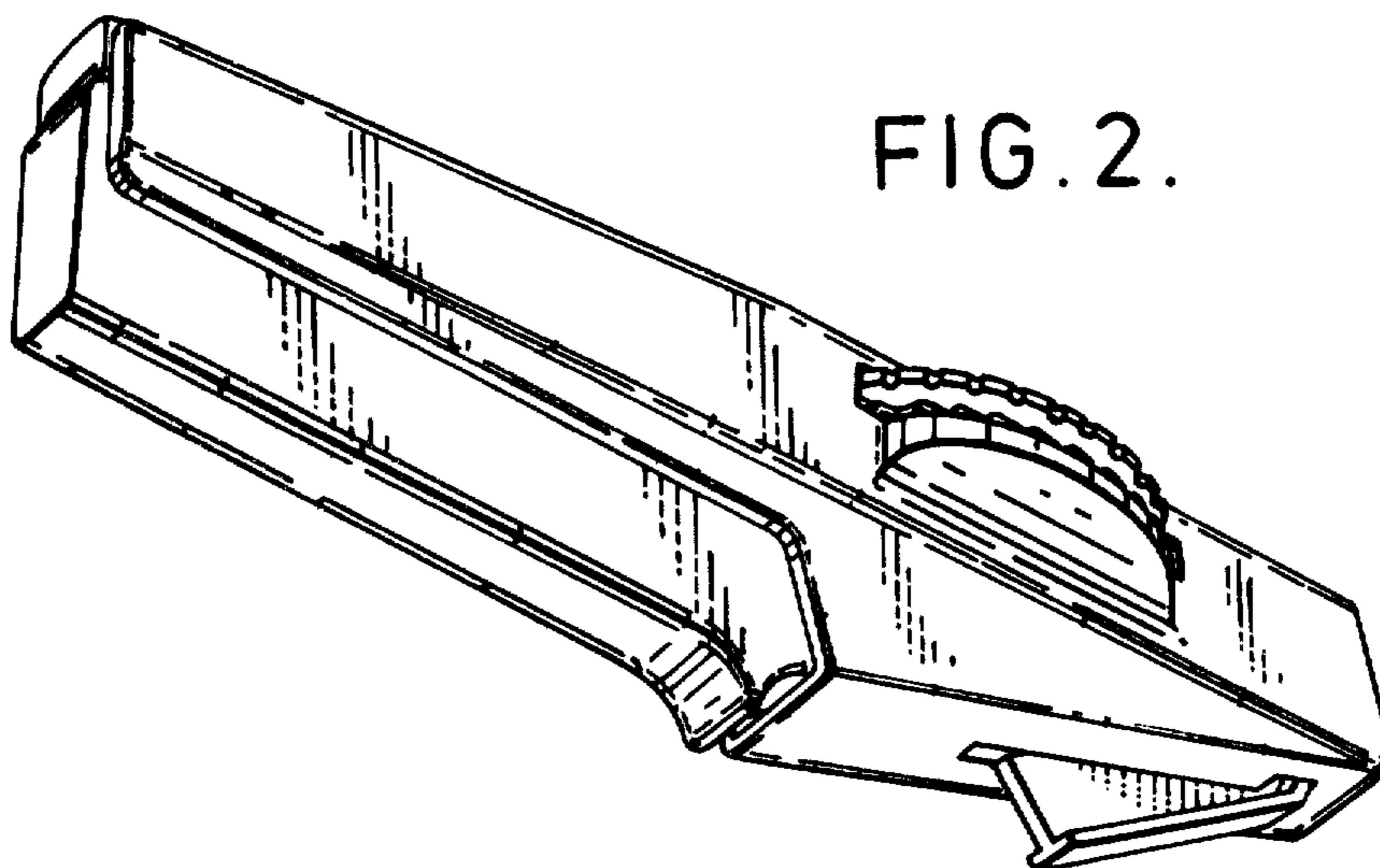


FIG. 3.

