

[54] **ROTARY COMBINE**
 [75] Inventor: Daniel Pakosh, Winnipeg, Canada
 [73] Assignee: Versatile Corporation, Vancouver, Canada
 [**] Term: 14 Years
 [21] Appl. No.: 246,635
 [22] Filed: Mar. 23, 1981
 [30] Foreign Application Priority Data
 Feb. 27, 1981 [CA] Canada 270281
 [52] U.S. Cl. D15/27
 [58] Field of Search D15/26, 27; 56/13.3, 56/14.4, 16.6

4,204,386 5/1980 Spinoglio 56/16.6
 4,265,076 5/1981 Keutz 56/14.4

OTHER PUBLICATIONS

Implement & Tractor, Jul. 15, 1979, p. 40, lower part of the page.

Primary Examiner—Wallace R. Burke
 Assistant Examiner—Suzanne N. Gitlin
 Attorney, Agent, or Firm—Hughes, Barnard & Cassidy

[57] CLAIM

The ornamental design for rotary combine, substantially as shown and described.

DESCRIPTION

FIG. 1 is a rear, right side perspective view of a rotary combine showing my new design;
 FIG. 2 is a front, left side perspective view thereof;
 FIG. 3 is a top left side perspective view thereof;
 FIG. 4 is a top right side perspective view thereof.

[56] References Cited
 U.S. PATENT DOCUMENTS
 3,520,119 7/1970 Brace et al. 56/13.3

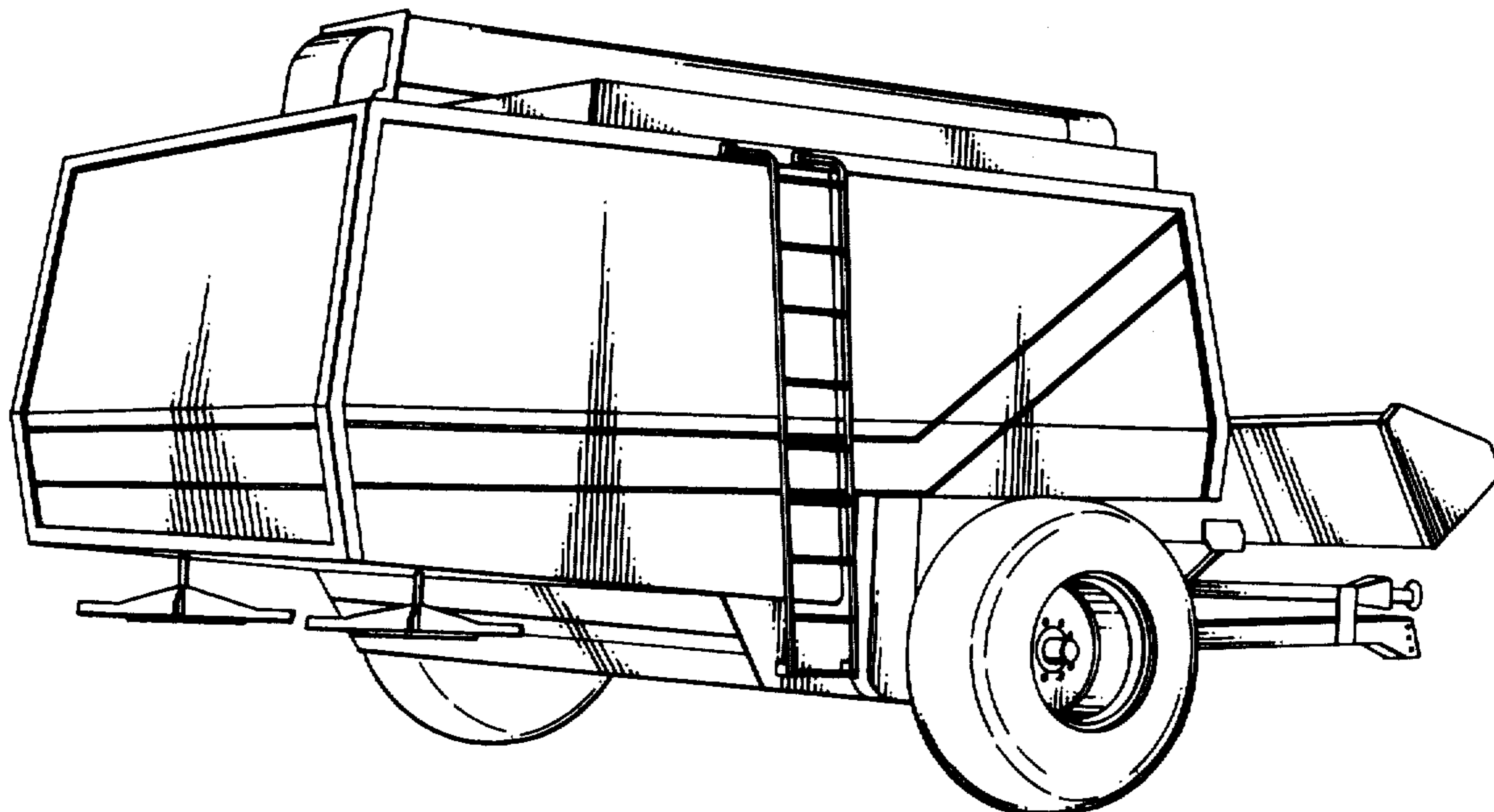


FIG. 1

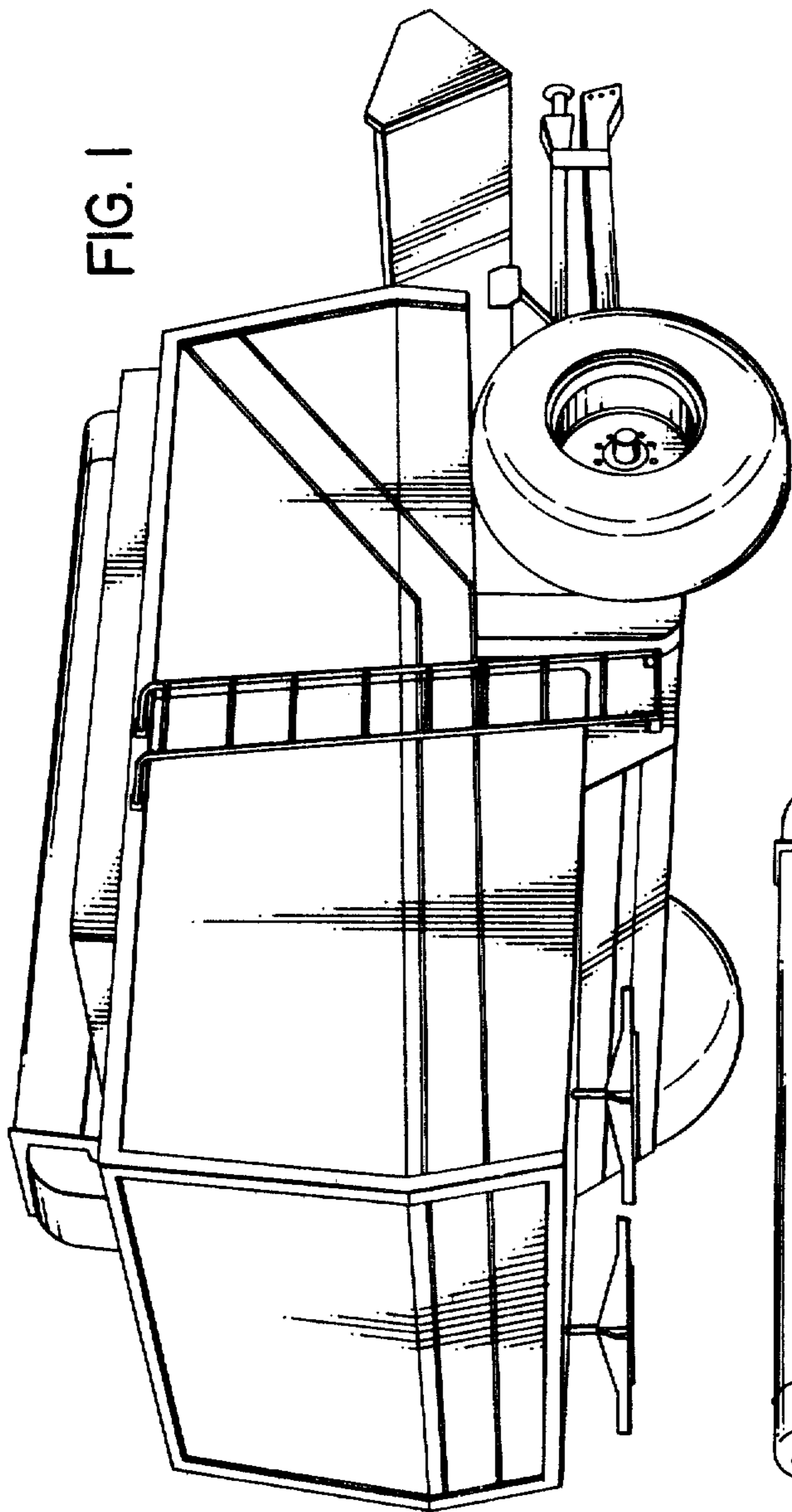
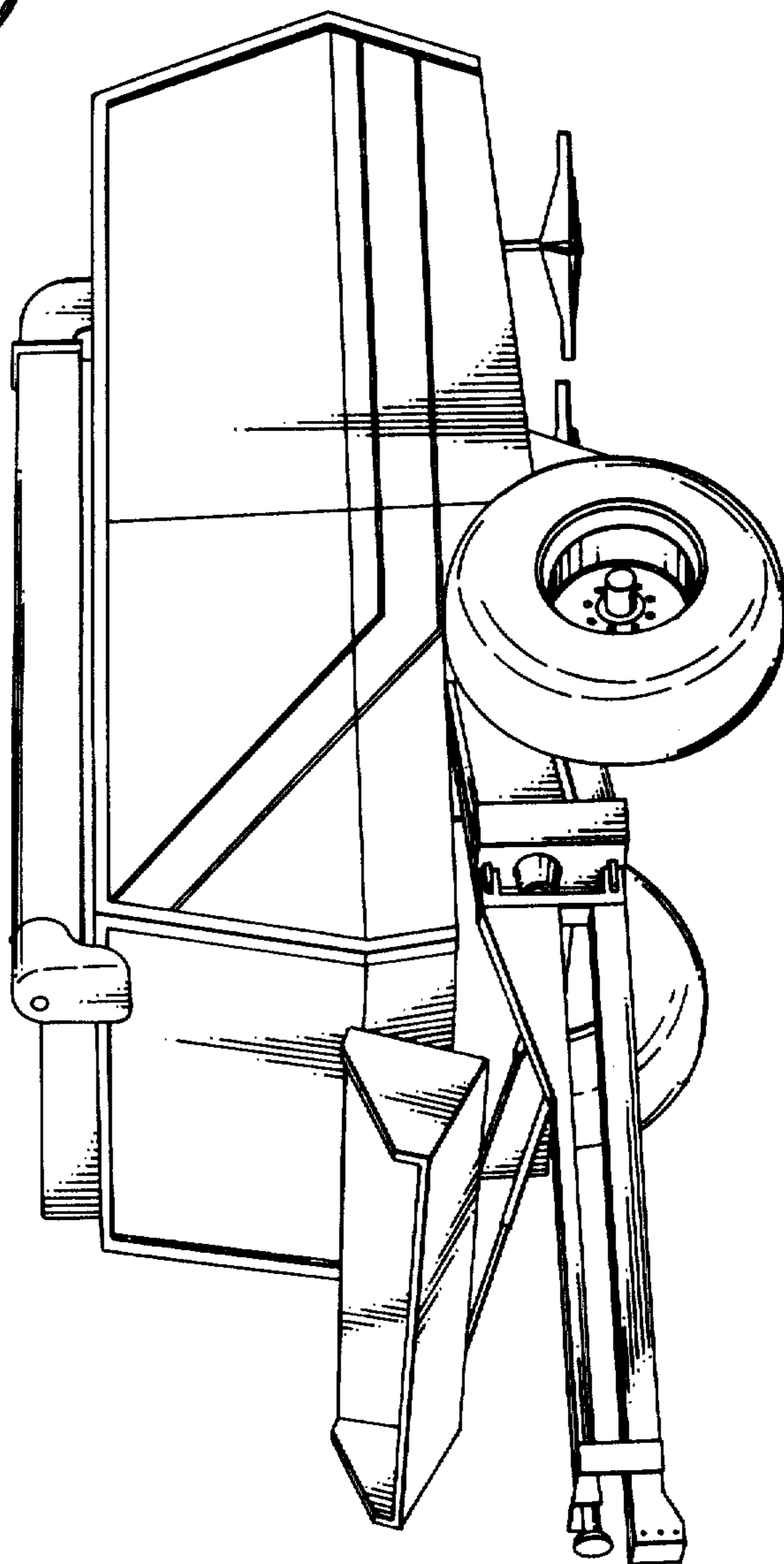


FIG. 2



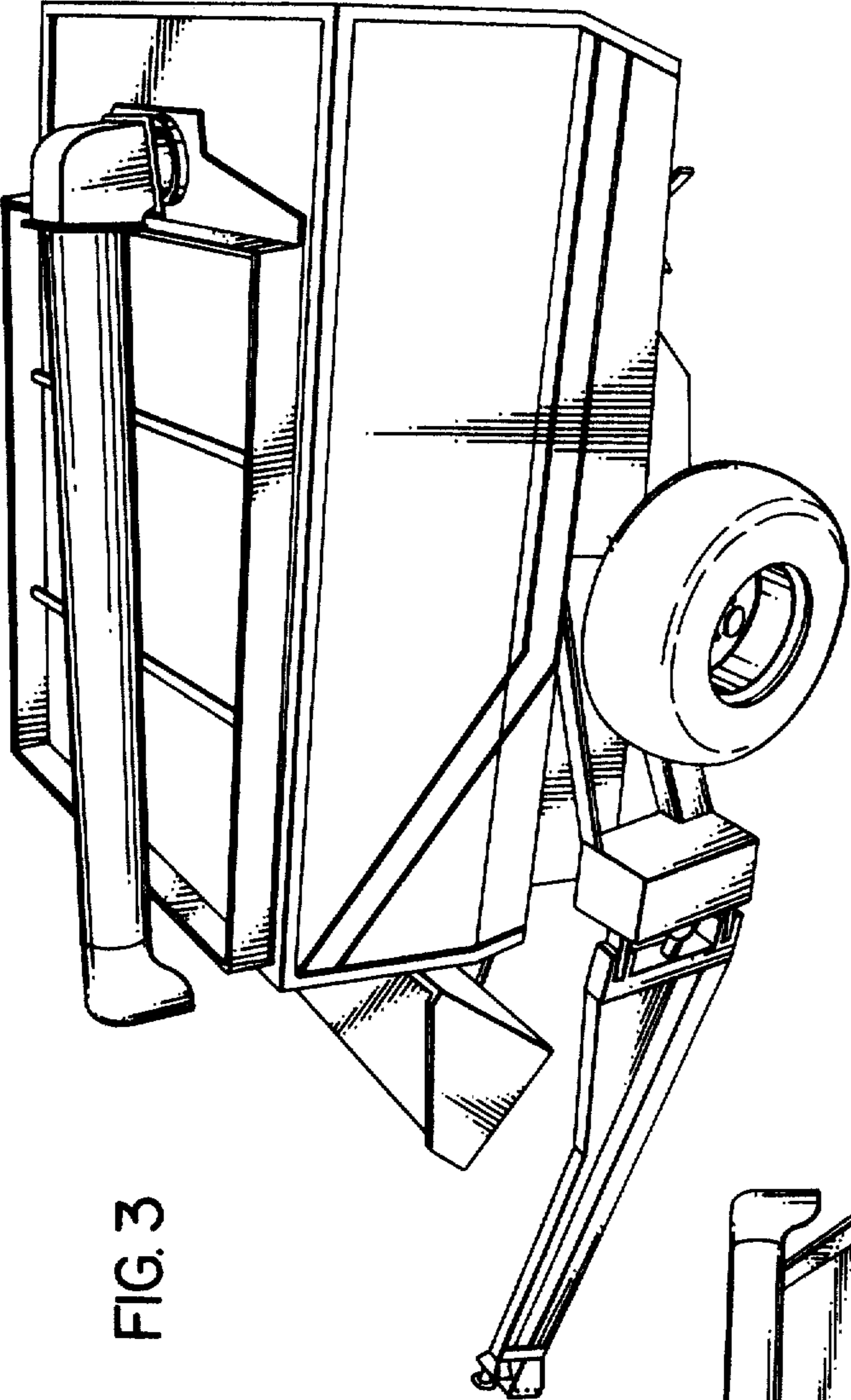


FIG. 3

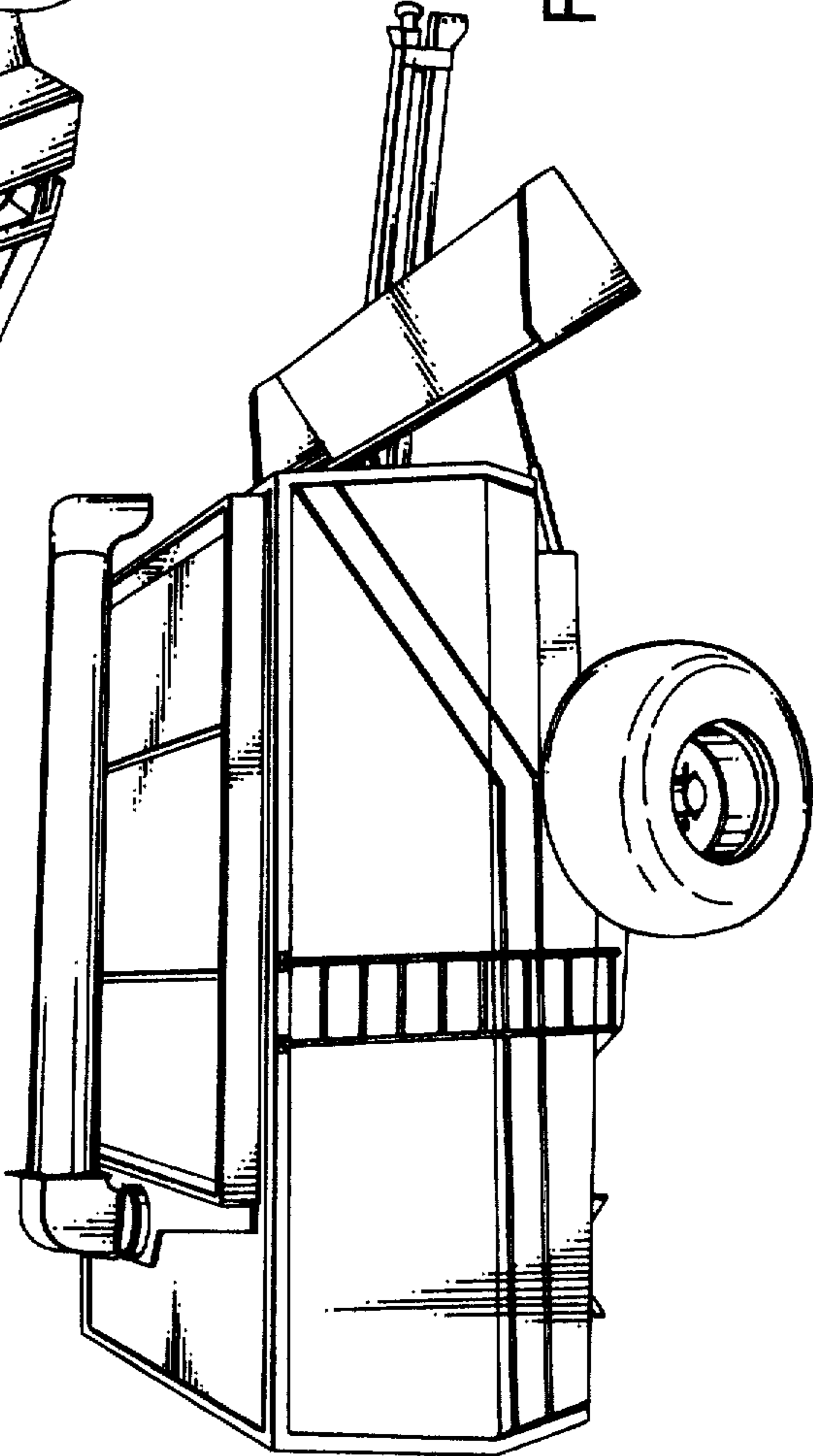


FIG. 4