

[54] EARTH MOVING MACHINE

[75] Inventors: Hitoo Nasu; Yoshishioro Okita; Masami Hirooka; Yoshiaki Yanoshita; Yoshio Tomiyama, all of Sakai; Kinichi Murata, Izumisano, all of Japan

[73] Assignee: Kubota, Ltd., Osaka, Japan

[**] Term: 14 Years

[21] Appl. No.: 434,296

[22] Filed: Oct. 14, 1982

[30] Foreign Application Priority Data

Apr. 27, 1982 [JP] Japan 57-18709
[52] U.S. Cl. D15/24; D15/25
[58] Field of Search D15/10, 22, 23, 24, D15/25; 180/9.1, 9.2, 89.1, 89.12, 139, 235, 9.62, 14 R; 280/400; 296/37.1, 37.2, 37.14, 37.15

[56] References Cited

U.S. PATENT DOCUMENTS

D. 208,693 9/1967 Prime D15/24
D. 251,845 5/1979 Joupperi et al. D15/24
4,397,481 8/1983 Dion et al. D15/24

FOREIGN PATENT DOCUMENTS

2536652 2/1977 Fed. Rep. of Germany 180/9.1
1482635 5/1967 France 37/103
980138 1/1965 United Kingdom 37/103

Primary Examiner—Bernard Ansher
Assistant Examiner—Suzanne N. Gitlin
Attorney, Agent, or Firm—Edwin E. Greigg

[57] CLAIM

The ornamental design for an earth moving machine, as shown.

DESCRIPTION

FIG. 1 is a left side elevational view of an earth moving machine showing our new design; FIG. 2 is a right side elevational view thereof; FIG. 3 is a top plan view thereof; FIG. 4 is a front elevational view thereof; and FIG. 5 is a rear elevational view thereof;

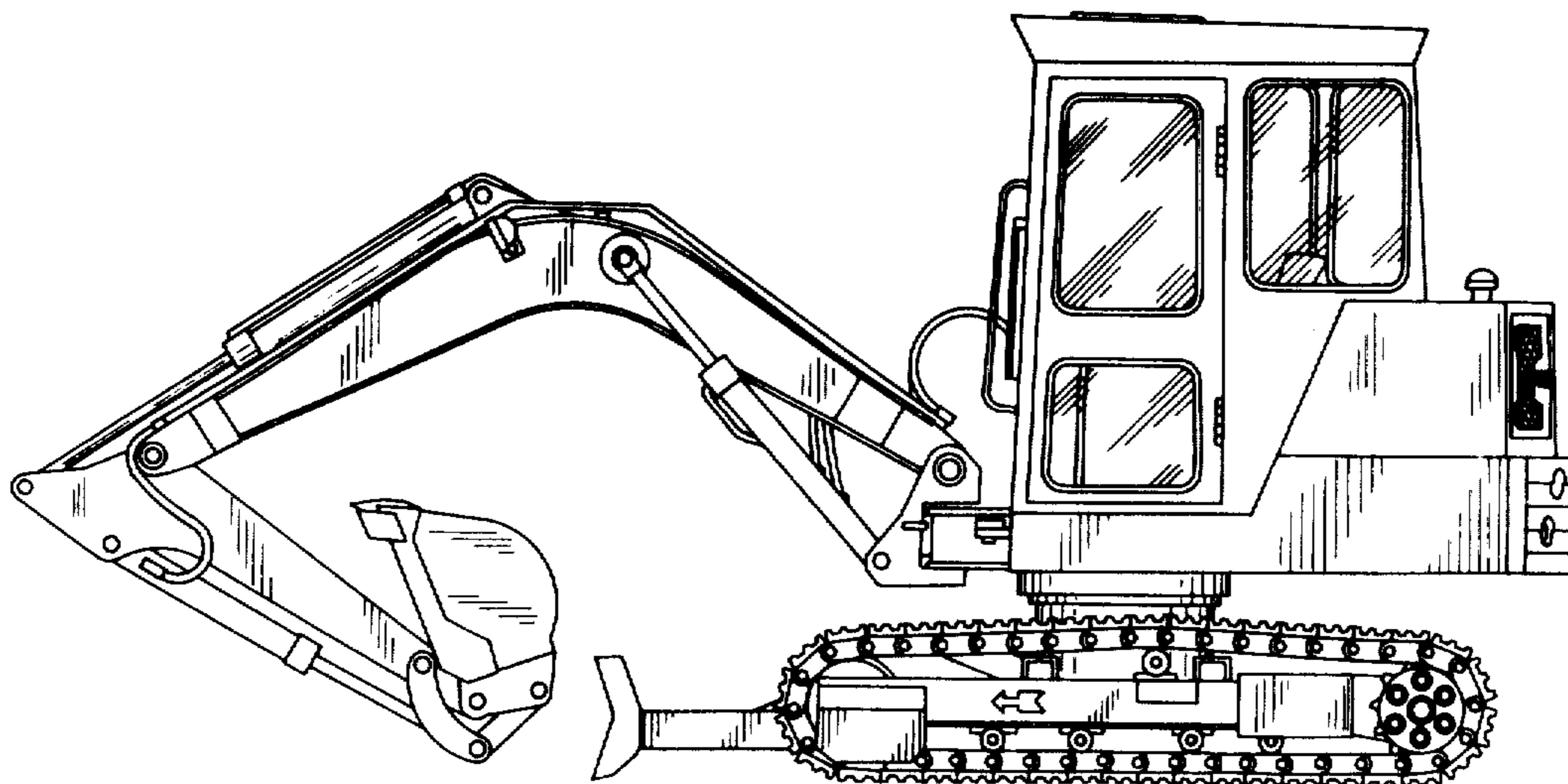


Fig. 1

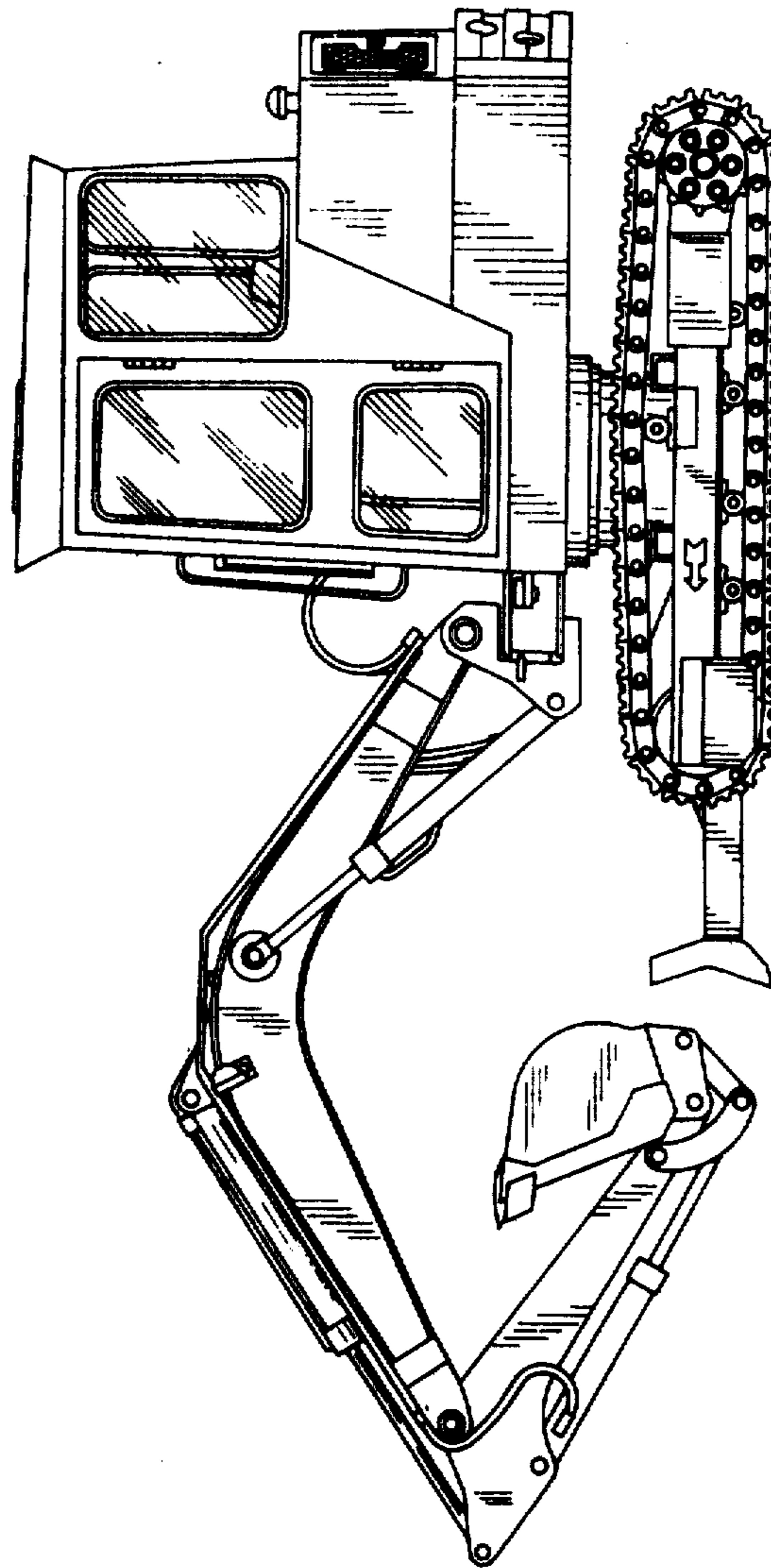


Fig. 2

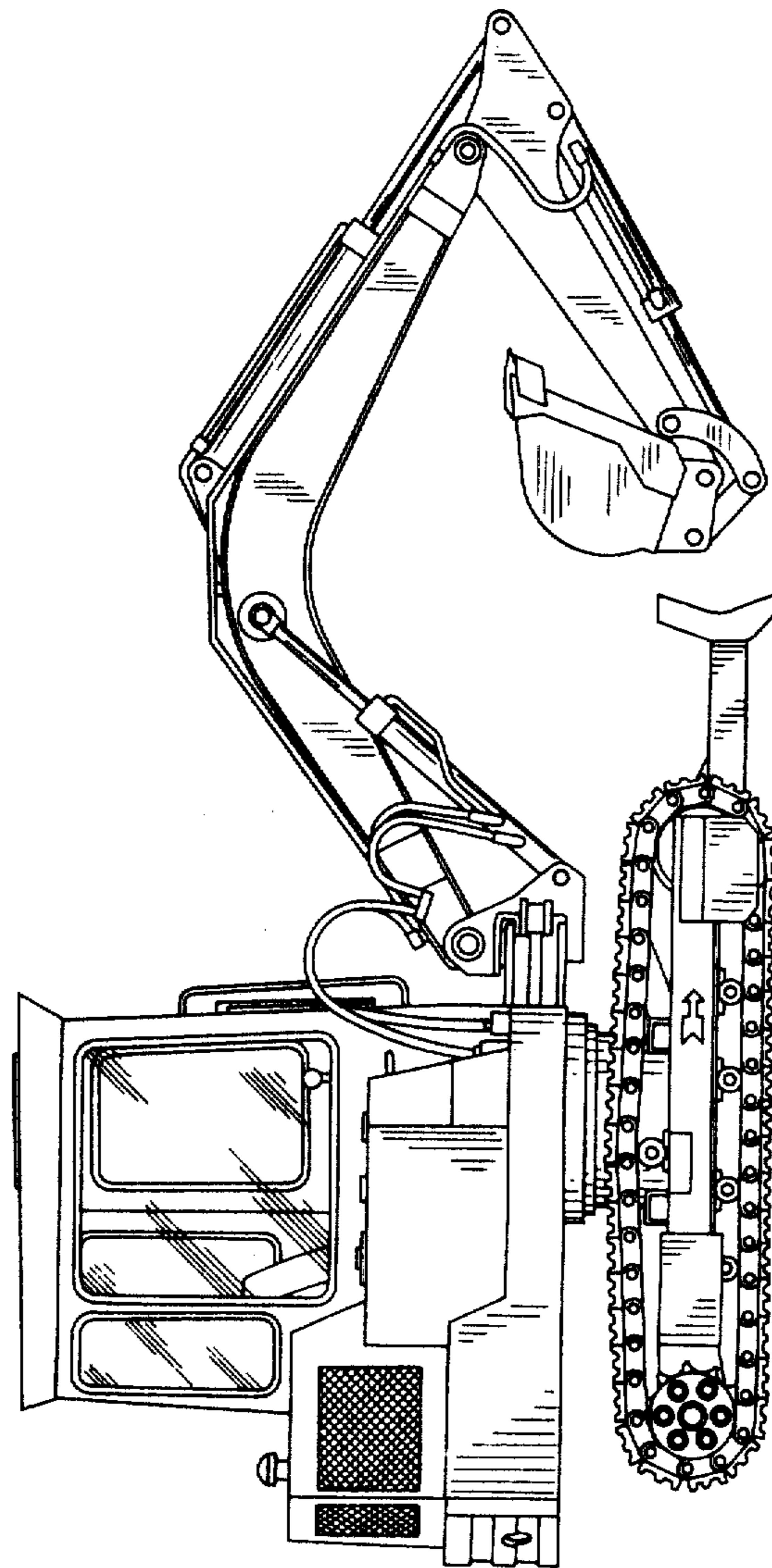


Fig. 3

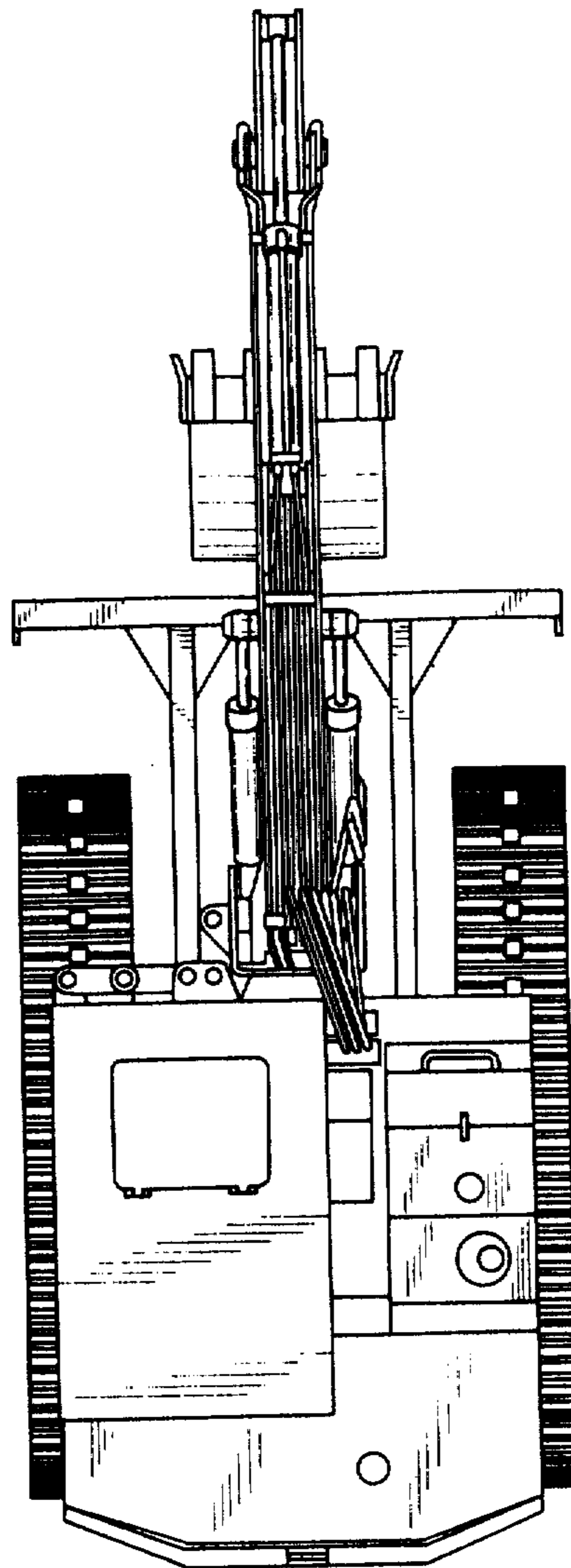


Fig. 5

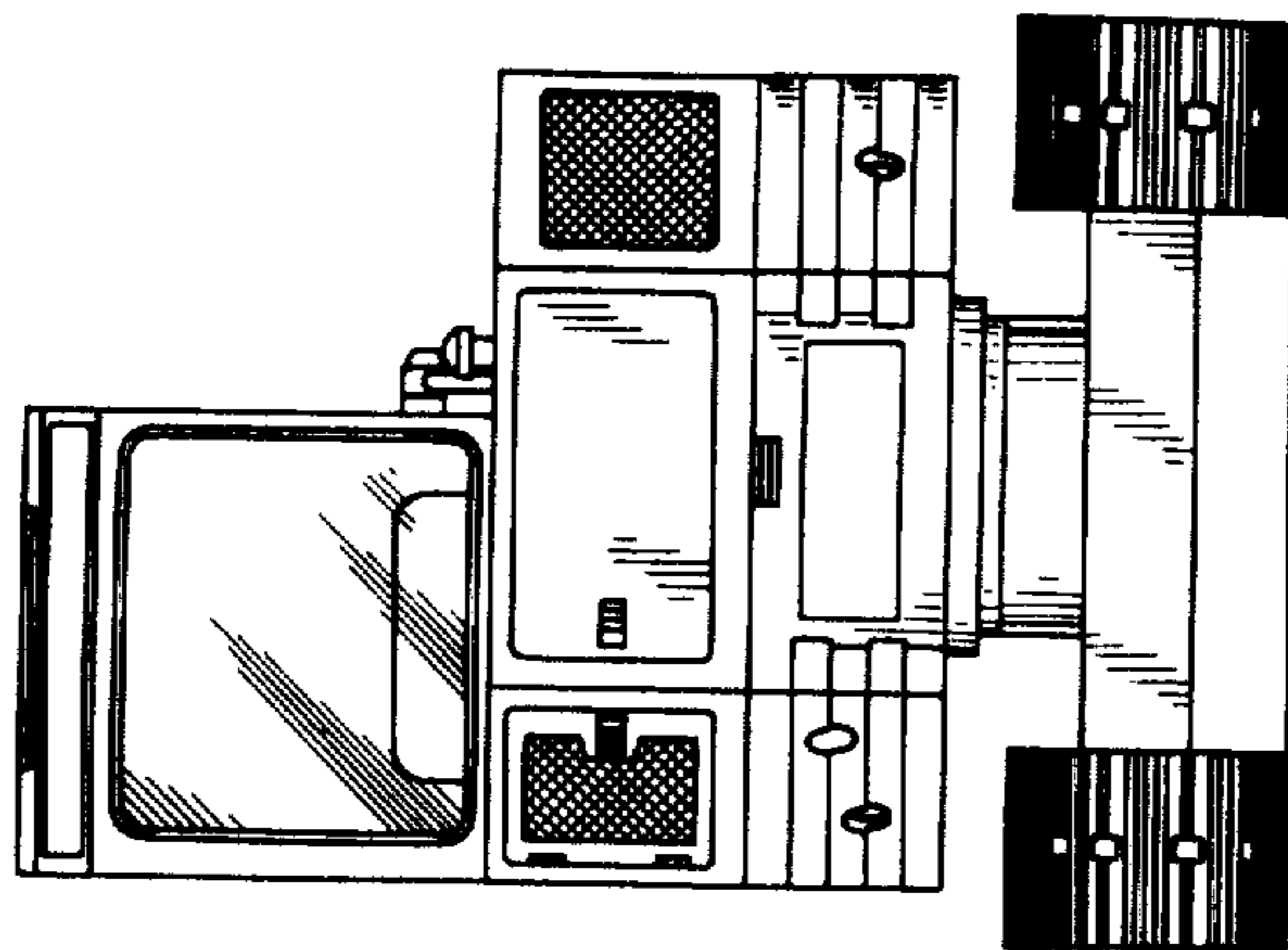


Fig. 4

