

[54] WHEELCHAIR OR SIMILAR ARTICLE

[75] Inventor: Bernard Kotyuk, New York, N.Y.

[73] Assignee: Primary Design Group, Inc., New York, N.Y.

[**] Term: 14 Years

[21] Appl. No.: 325,170

[22] Filed: Nov. 27, 1981

[52] U.S. Cl. D12/131

[58] Field of Search D12/131; 280/242 WC; 297/DIG. 4; 180/DIG. 3

[56] References Cited

U.S. PATENT DOCUMENTS

D. 252,080 6/1979 Von Heck D12/131

3,937,519 2/1976 Schoolden 297/DIG. 4

Primary Examiner—James M. Gandy
Attorney, Agent, or Firm—Wolder, Gross & Yavner

[57] CLAIM

The ornamental design for a wheelchair or similar article, as shown and described.

DESCRIPTION

FIG. 1 is a top plan view showing my new wheelchair or similar article;
FIG. 2 is a front elevational view thereof;
FIG. 3 is a right side elevational view thereof the left side being substantially a mirror image thereof;
FIG. 4 is a rear elevational view thereof;
FIG. 5 is a bottom plan view thereof; and
FIG. 6 is a front elevational view thereof with the foot rests in raised condition.

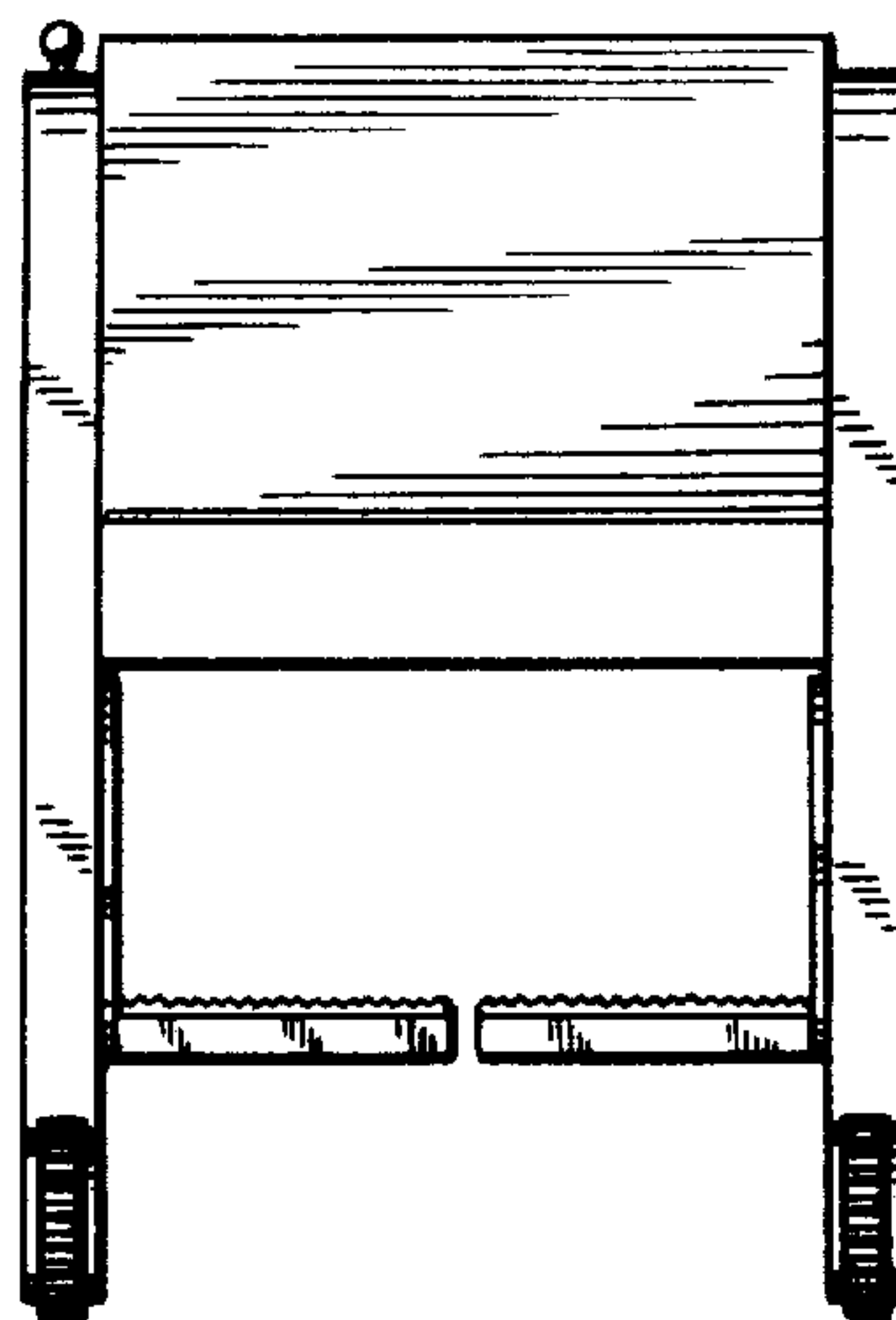
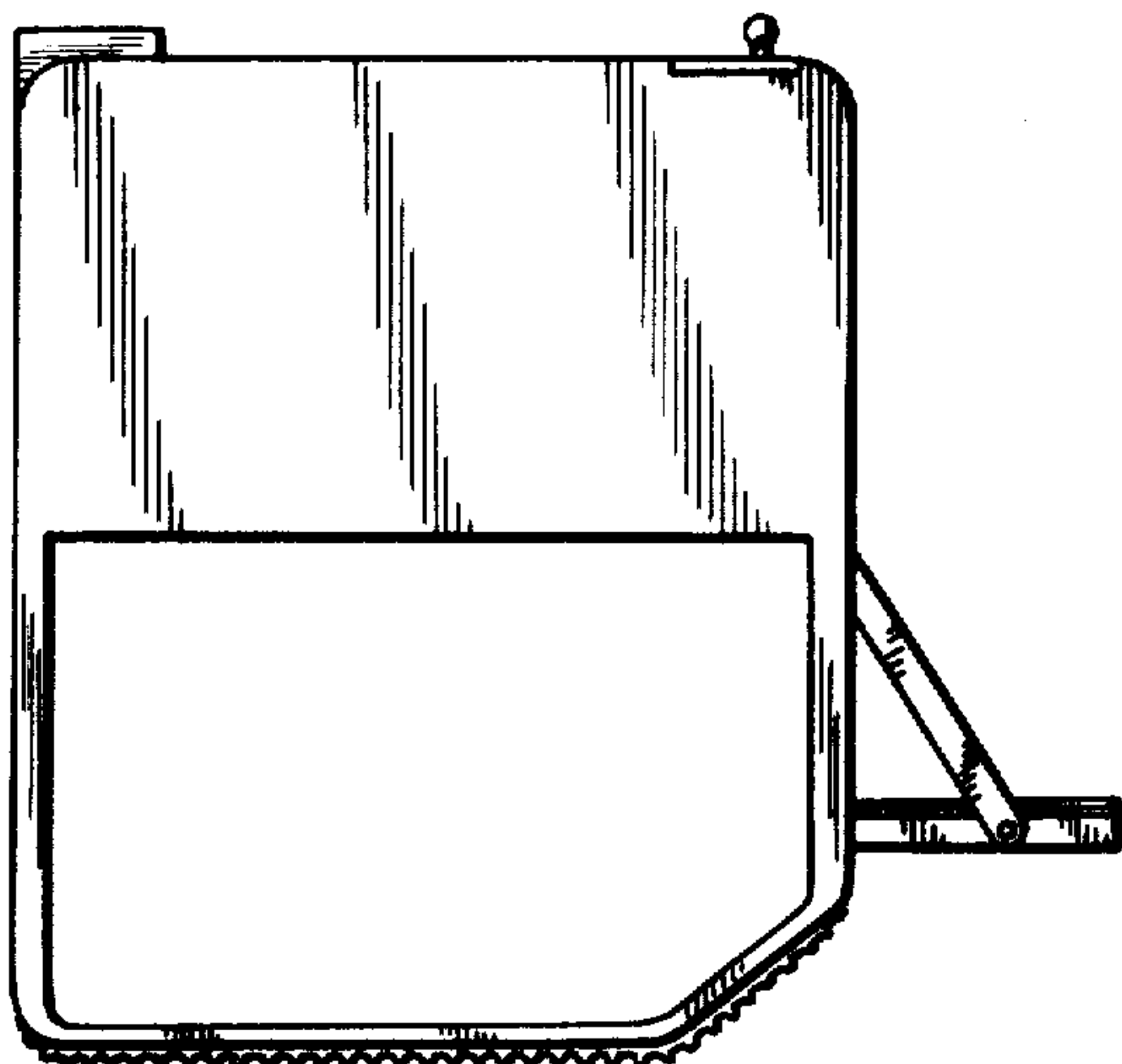


FIG. 1

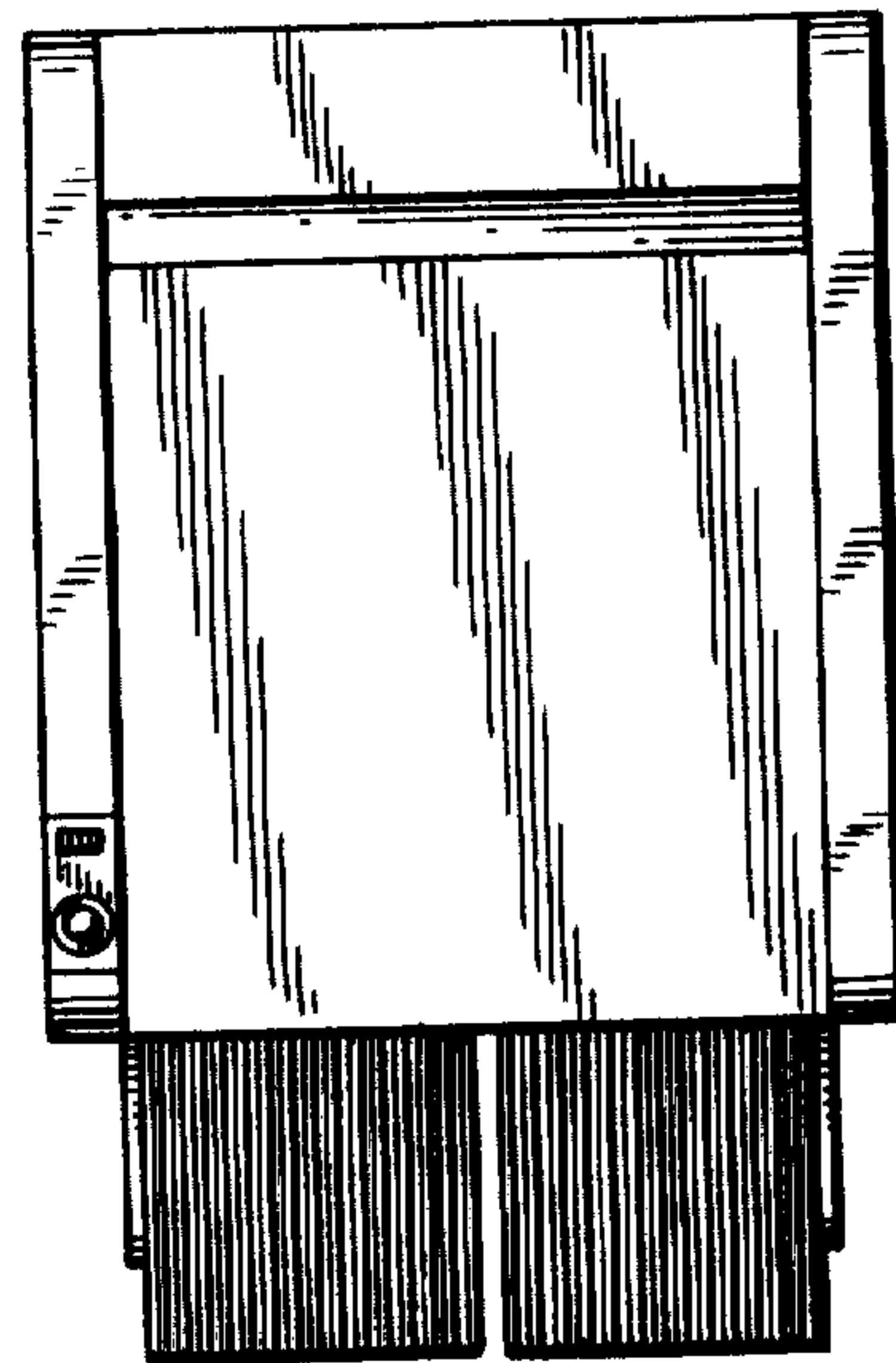


FIG. 3

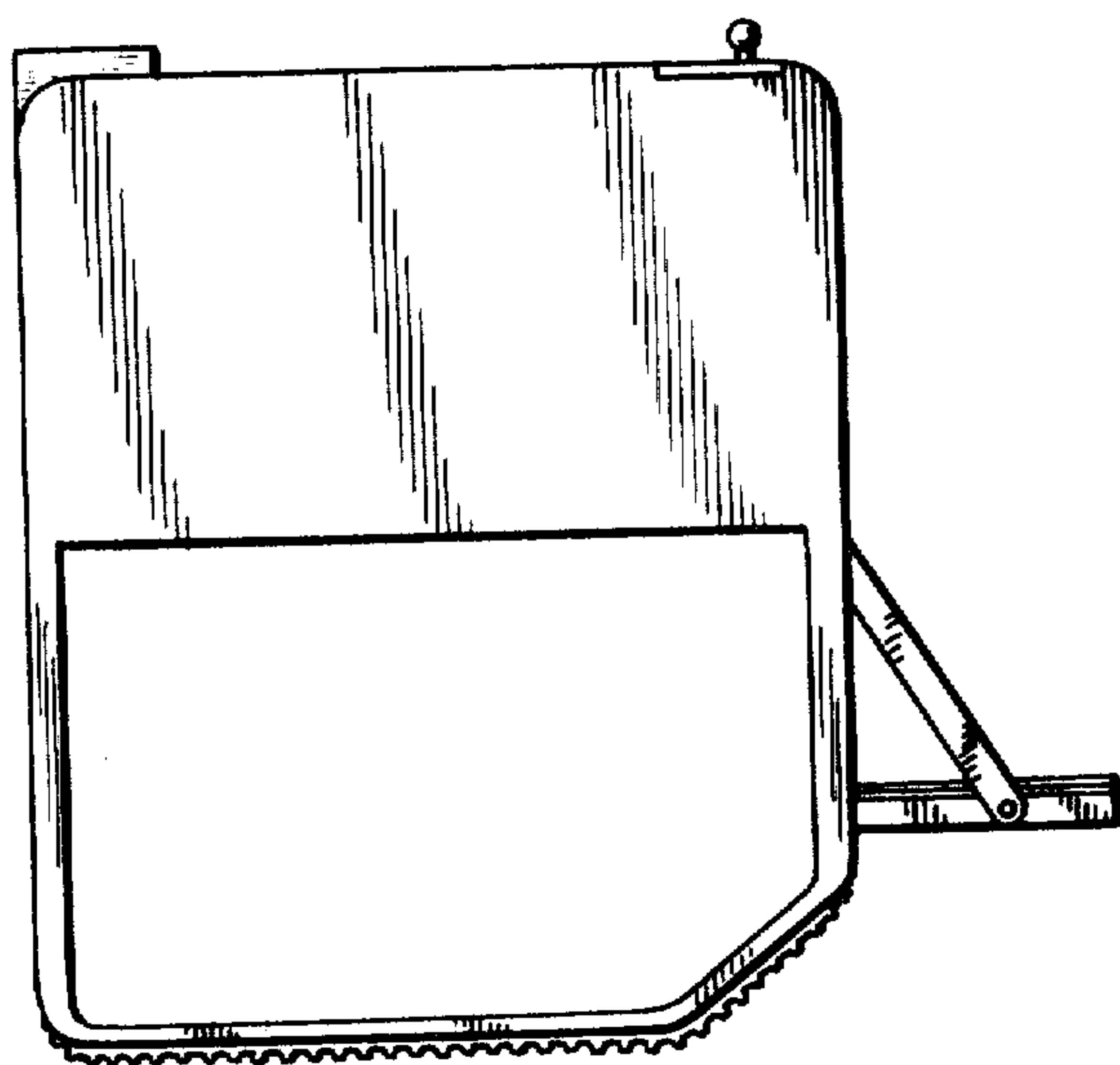


FIG. 2

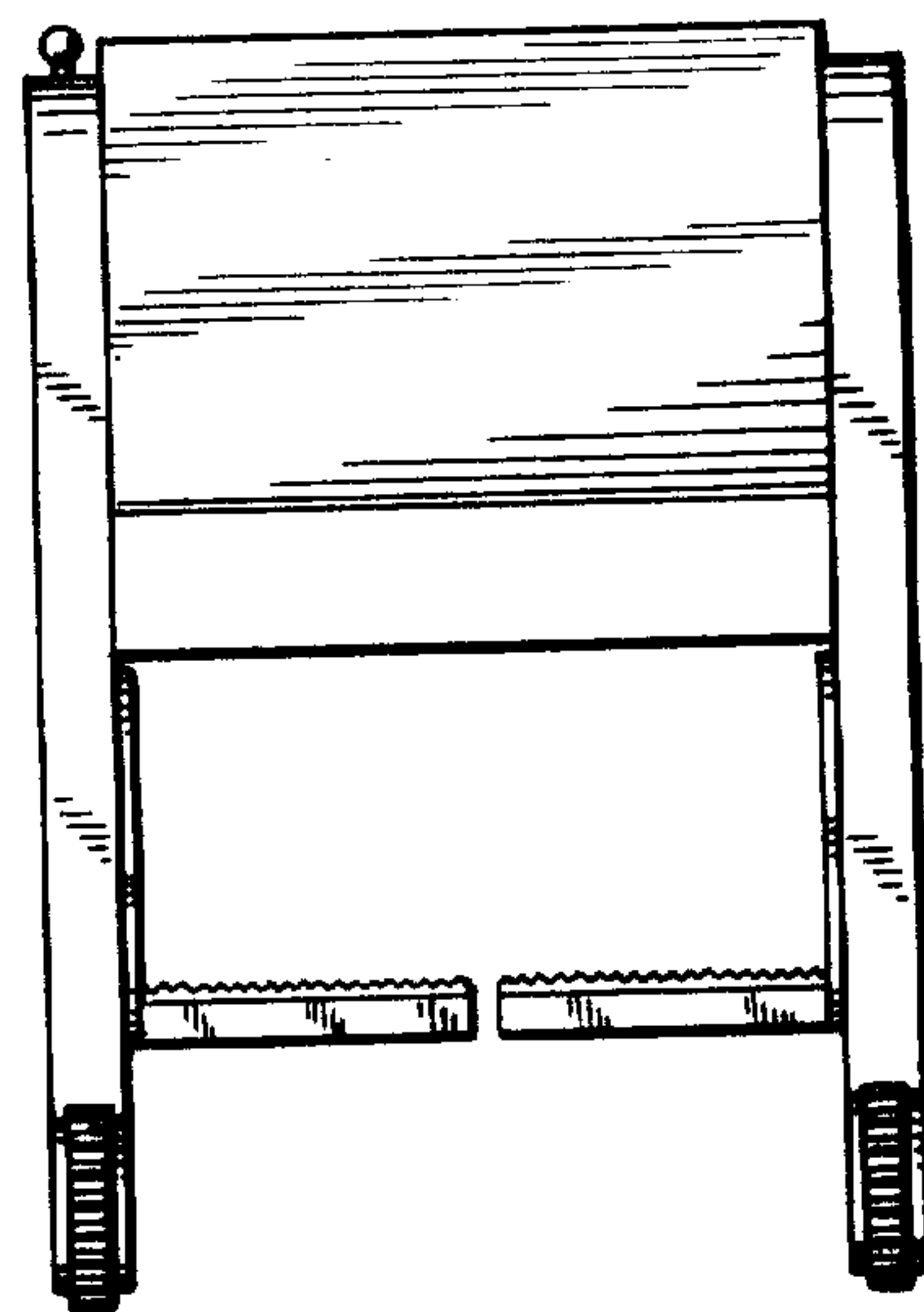


FIG. 4

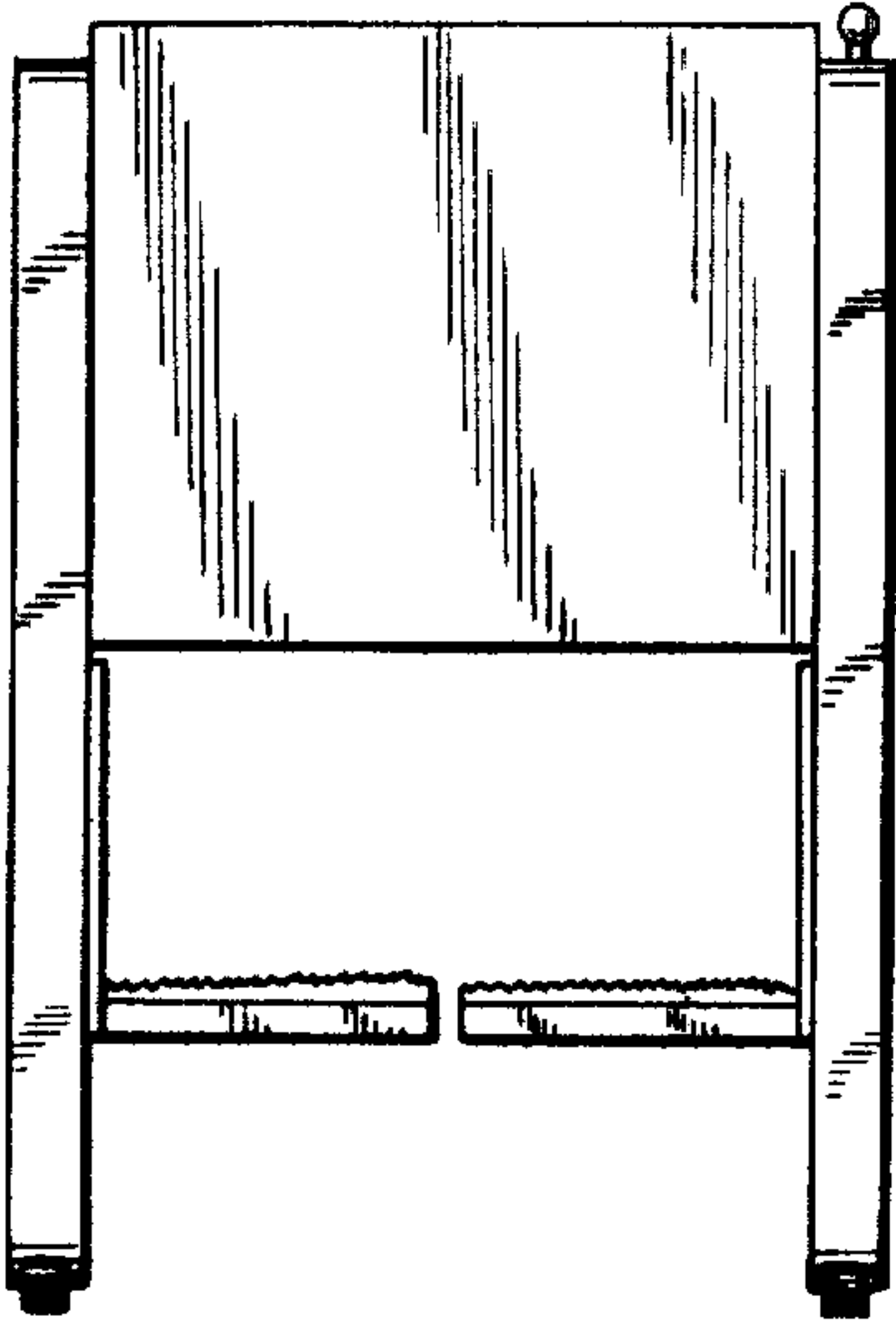


FIG. 5

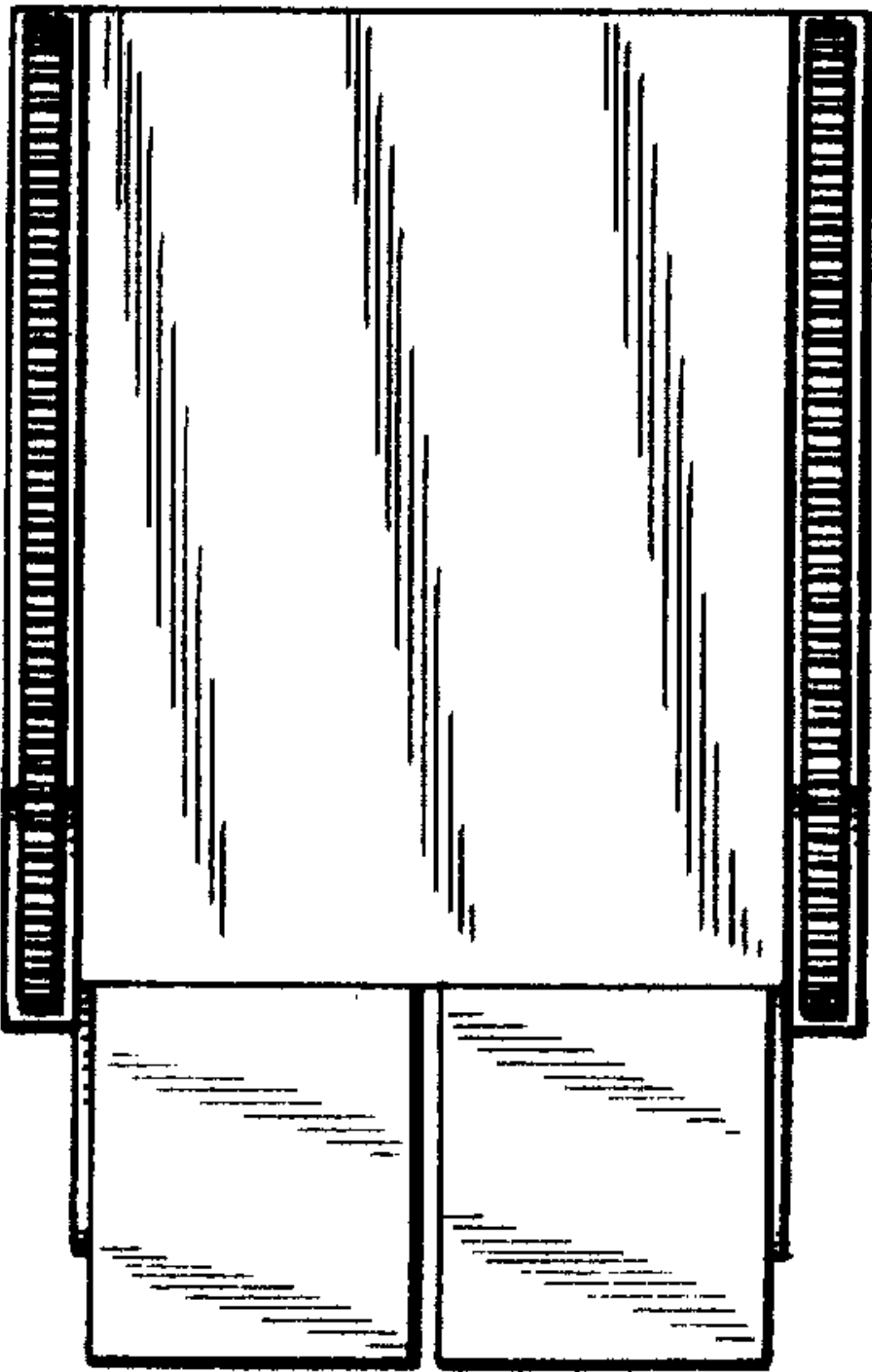


FIG. 6

