

[54] TRAILER

[75] Inventor: Trevor J. Dew, Leicester, England

[73] Assignee: Dunlop Limited, London, England

[\*\*] Term: 14 Years

[21] Appl. No.: 207,887

[22] Filed: Nov. 18, 1980

[30] Foreign Application Priority Data

May 27, 1980 [GB] United Kingdom ..... 55-995025  
[52] U.S. Cl. .... D12/102  
[58] Field of Search ..... D12/102, 105; 296/24 C;  
119/7

[56] References Cited

U.S. PATENT DOCUMENTS

D. 172,800 8/1954 Miley ..... D12/105  
D. 225,158 11/1972 Cole ..... D12/102

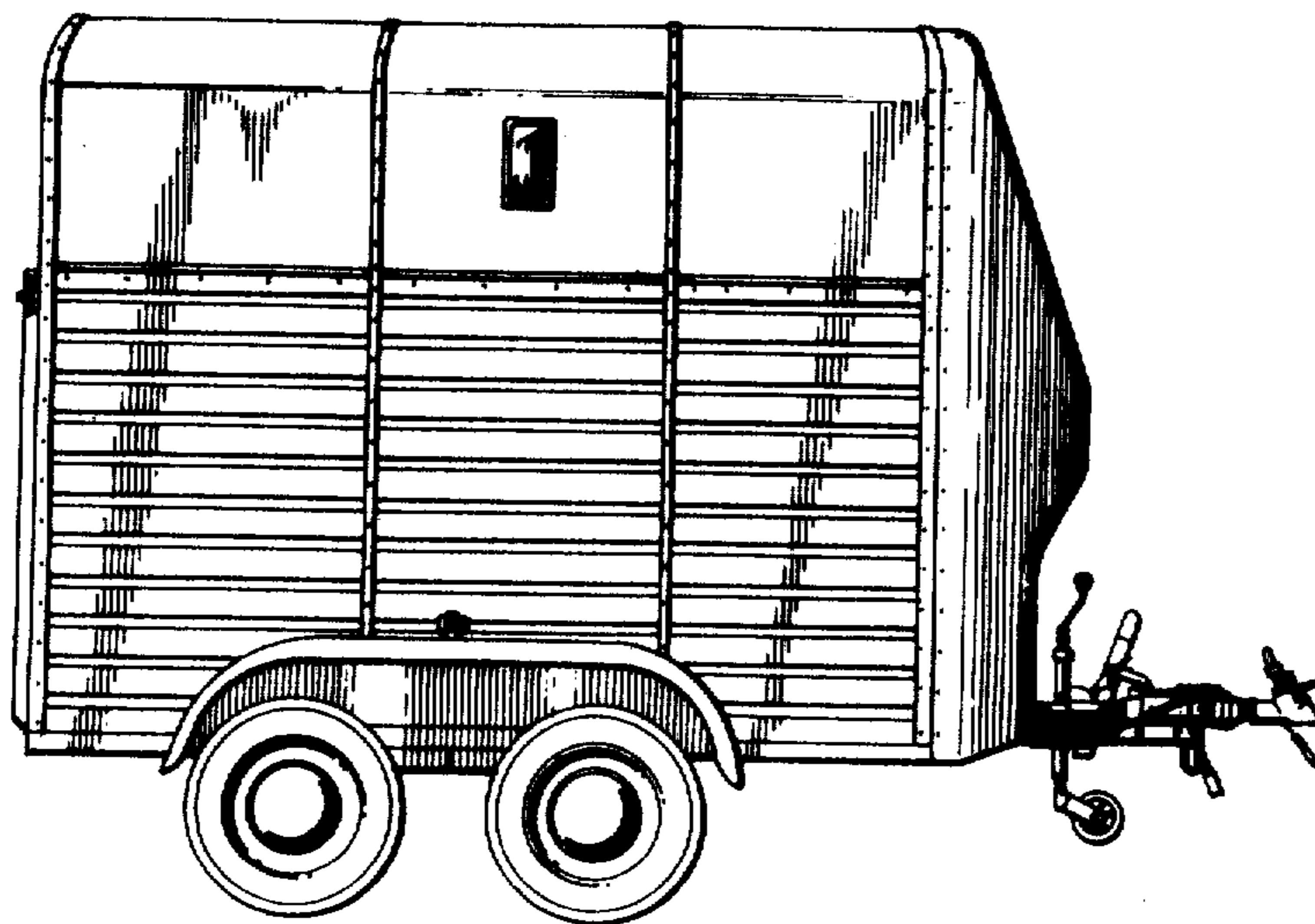
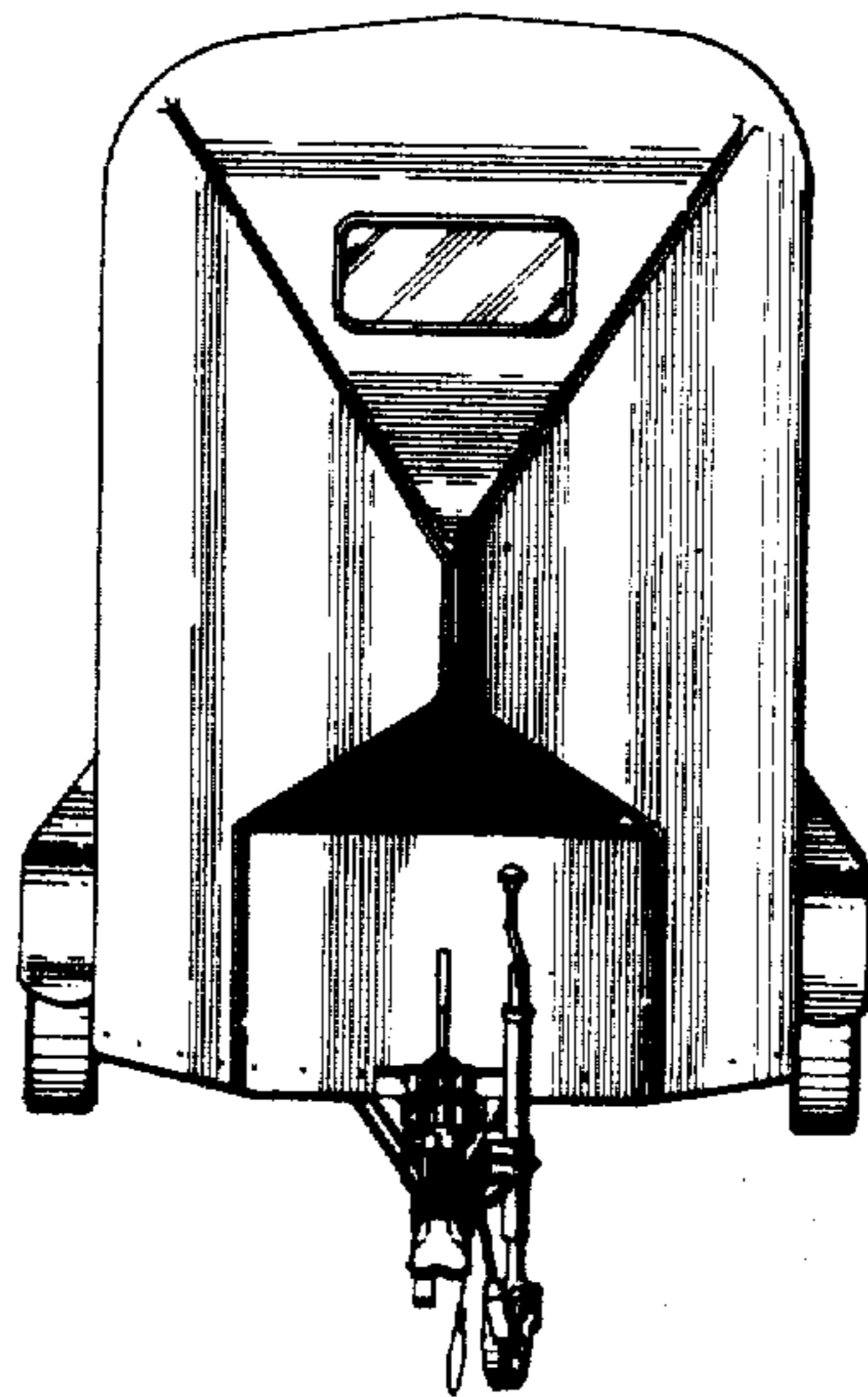
Primary Examiner—James M. Gandy  
Attorney, Agent, or Firm—Stevens, Davis, Miller &  
Mosher

[57] CLAIM

The ornamental design for a trailer, as shown.

DESCRIPTION

FIG. 1 is a fragmentary top perspective view of my new design for a trailer;  
FIG. 2 is a front perspective view thereof;  
FIG. 3 is a side elevational view thereof;  
FIG. 4 is a side elevational view from the side opposite to that shown in FIG. 3;  
FIG. 5 is a rear elevational view thereof.



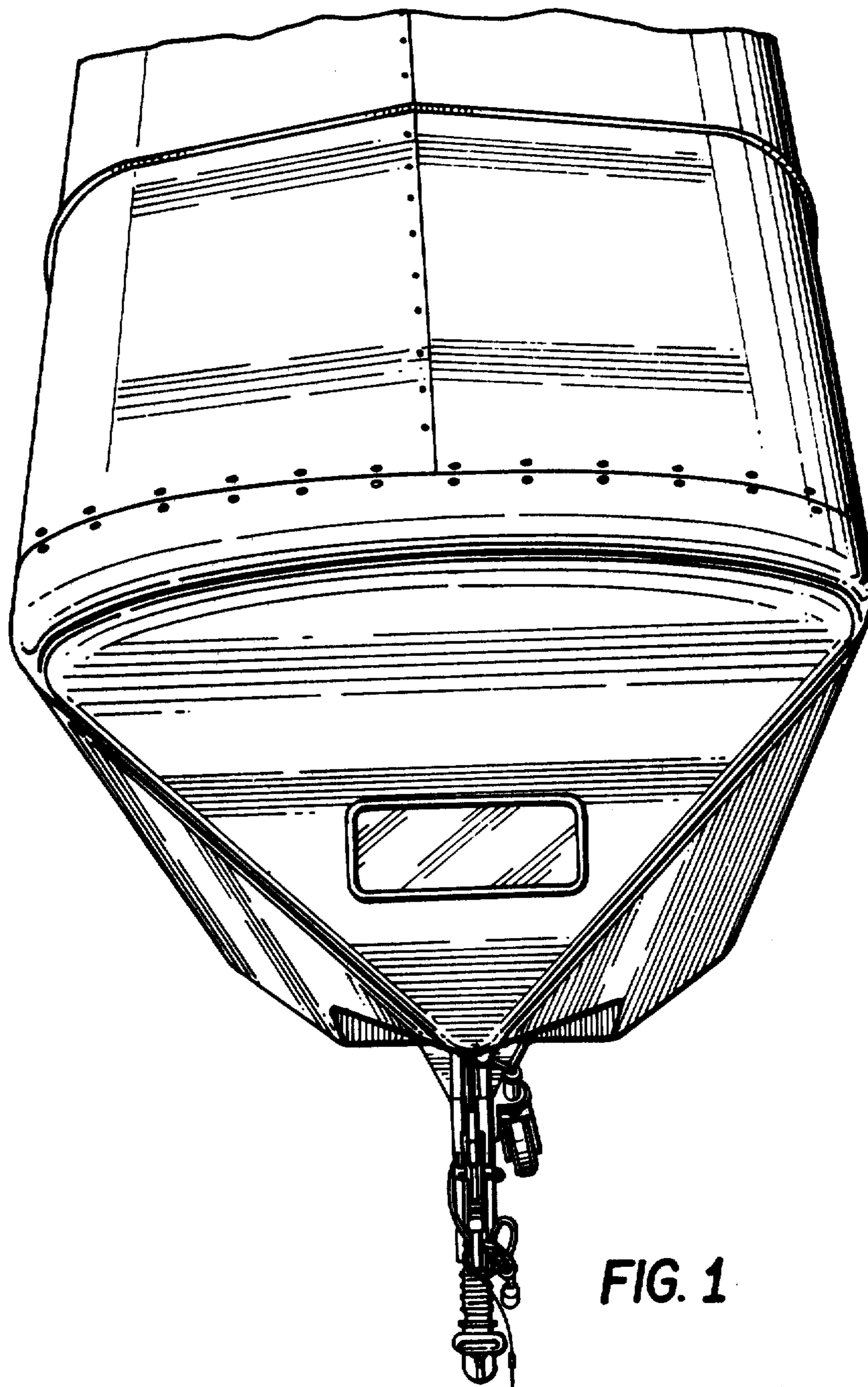


FIG. 1

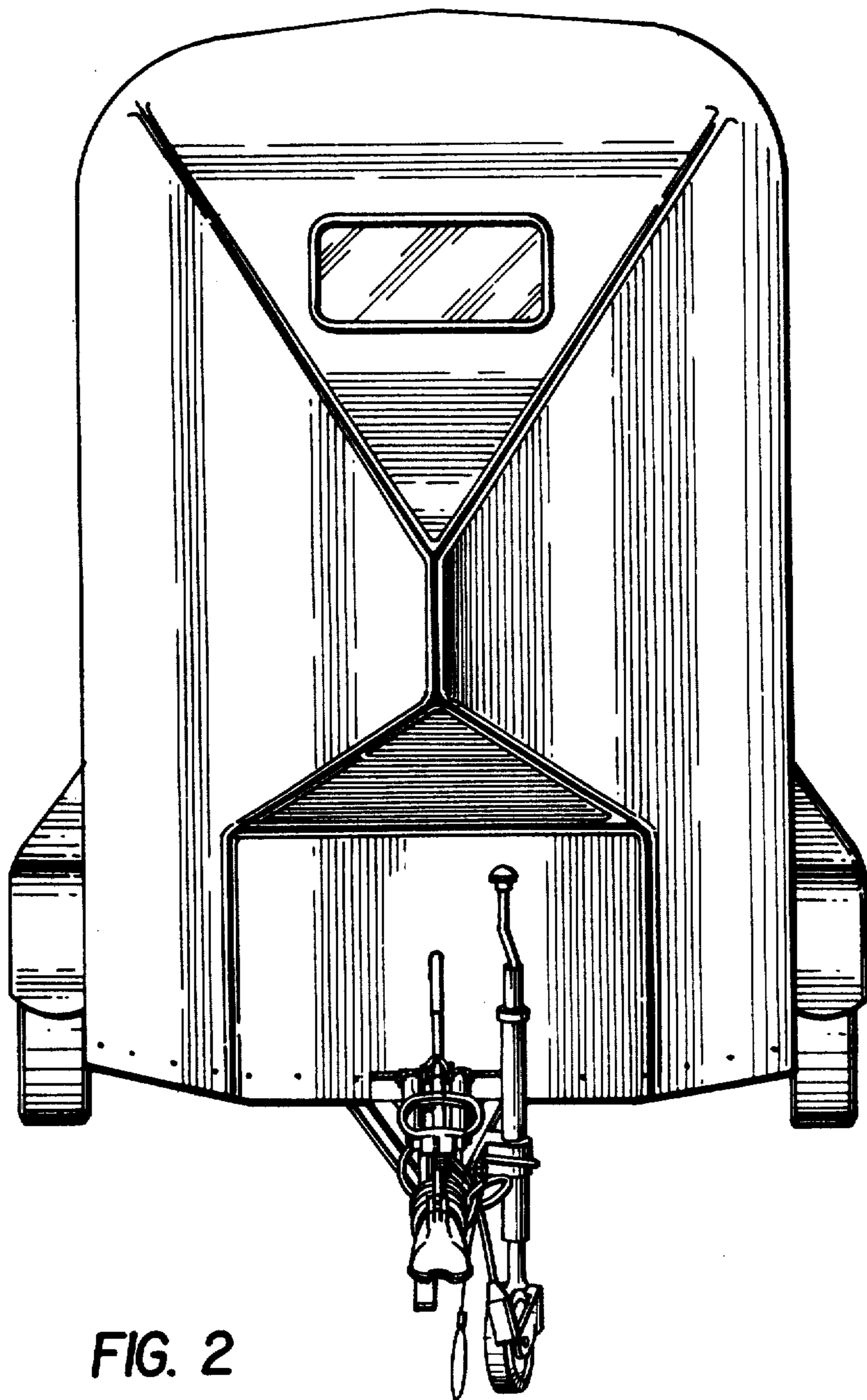


FIG. 2

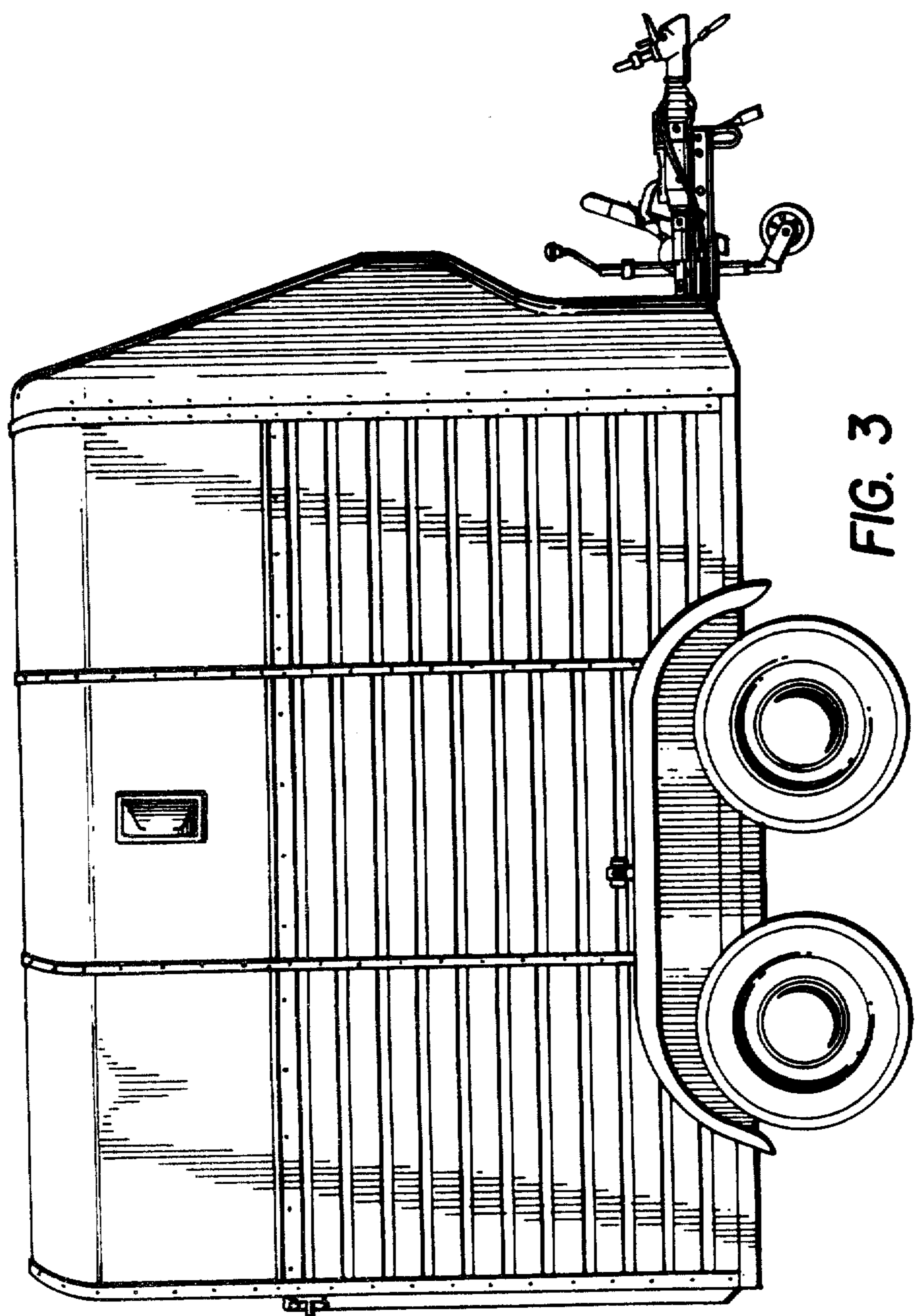


FIG. 3

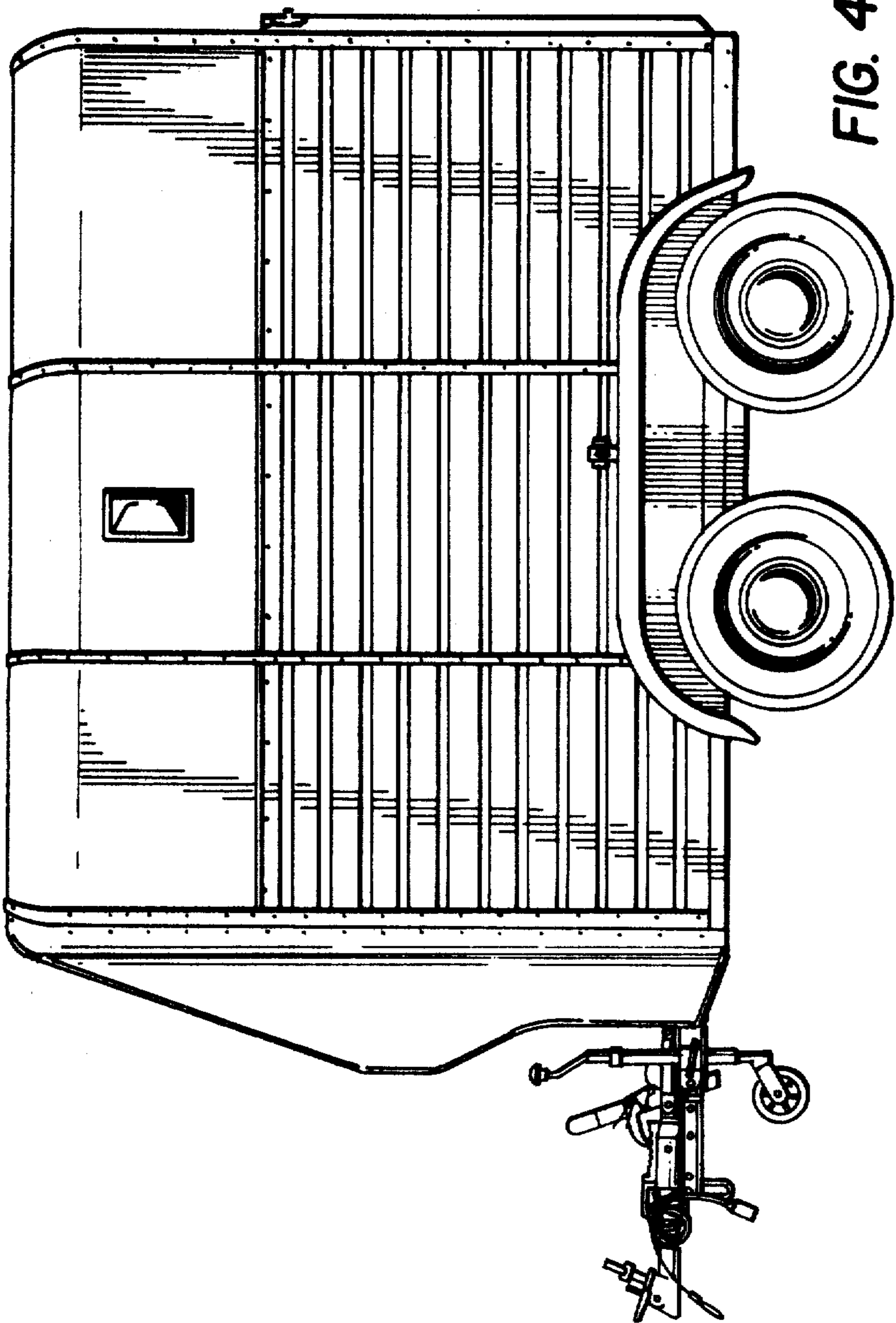


FIG. 4

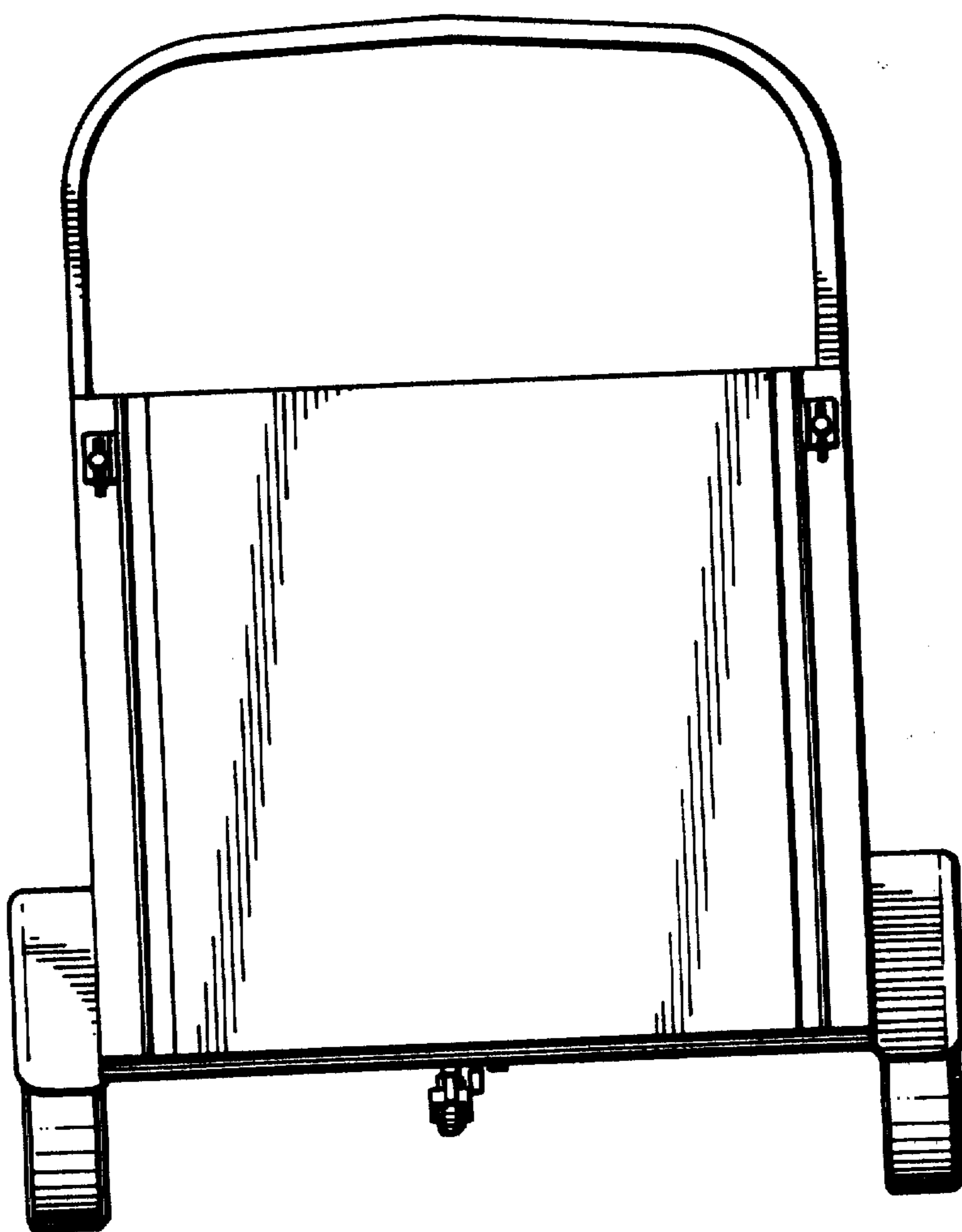


FIG. 5