

[54] MODULAR PICTURE FRAME

[76] Inventor: Robert E. Grind, 512 Fairviw Ct., Placerville, Calif. 95667

[**] Term: 14 Years

[21] Appl. No.: 12,881

[22] Filed: Feb. 16, 1979

[52] U.S. Cl. D6/235

[58] Field of Search D6/232-245; 40/152, 152.1, 605, 606, 608, 611, 155

[56] References Cited

U.S. PATENT DOCUMENTS

- 2,790,258 4/1957 Freshour 40/605
- 3,132,432 5/1964 Yee 40/152.1

3,428,108 2/1969 Singer 40/605

Primary Examiner—Charles A. Rademaker

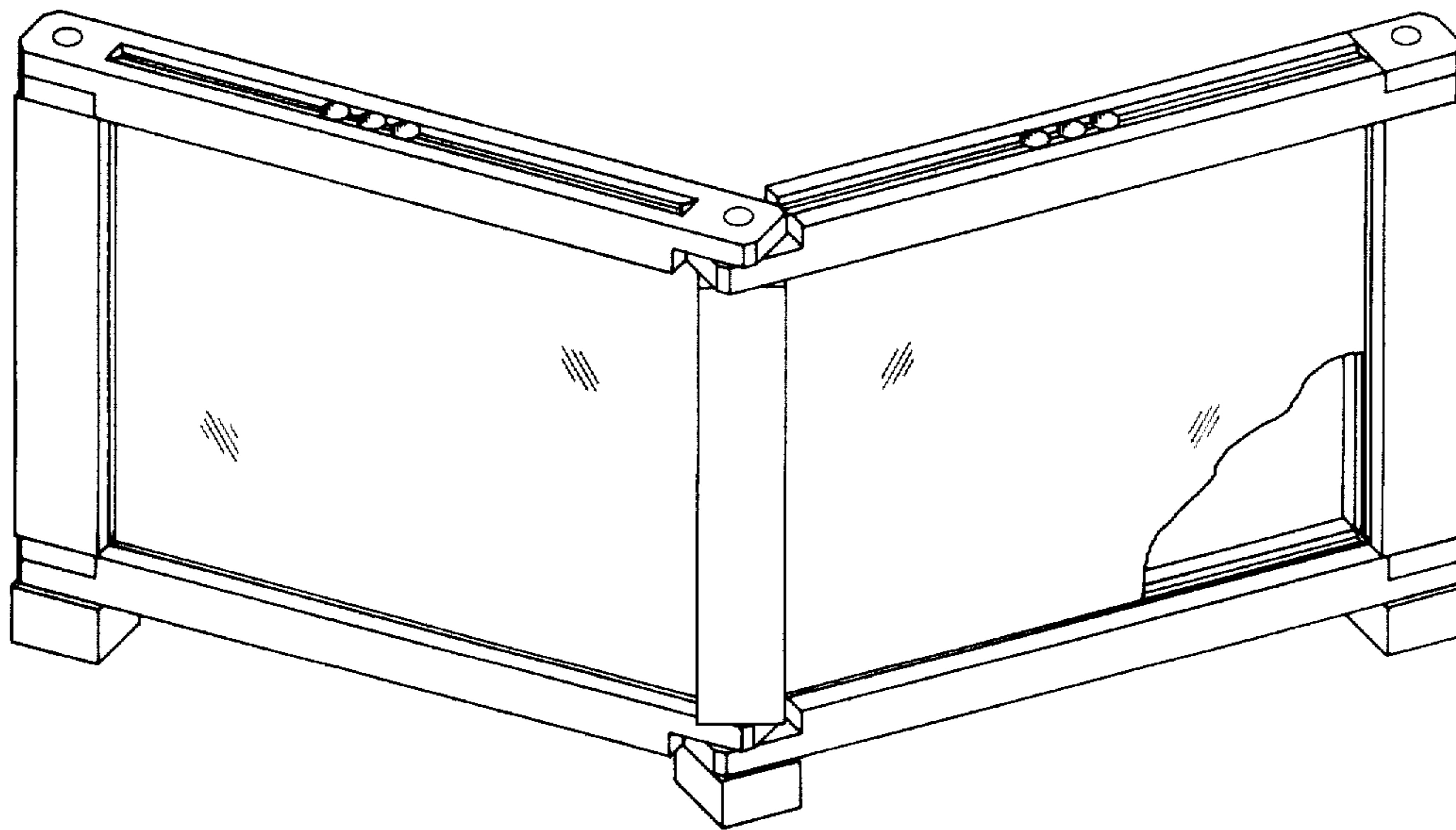
[57] CLAIM

The ornamental design for a modular picture frame, substantially as shown and described.

DESCRIPTION

FIG. 1 is a front perspective view of a modular picture frame showing my new design, the side opposite being a mirror image; portions of the display area have been broken away for clarity of disclosure; and, FIG. 2 is a perspective view of a modified form of the design shown in FIG. 1, the side opposite being substantially a mirror image.

The unshown bottom of the claimed design is substantially plain and unornamented.



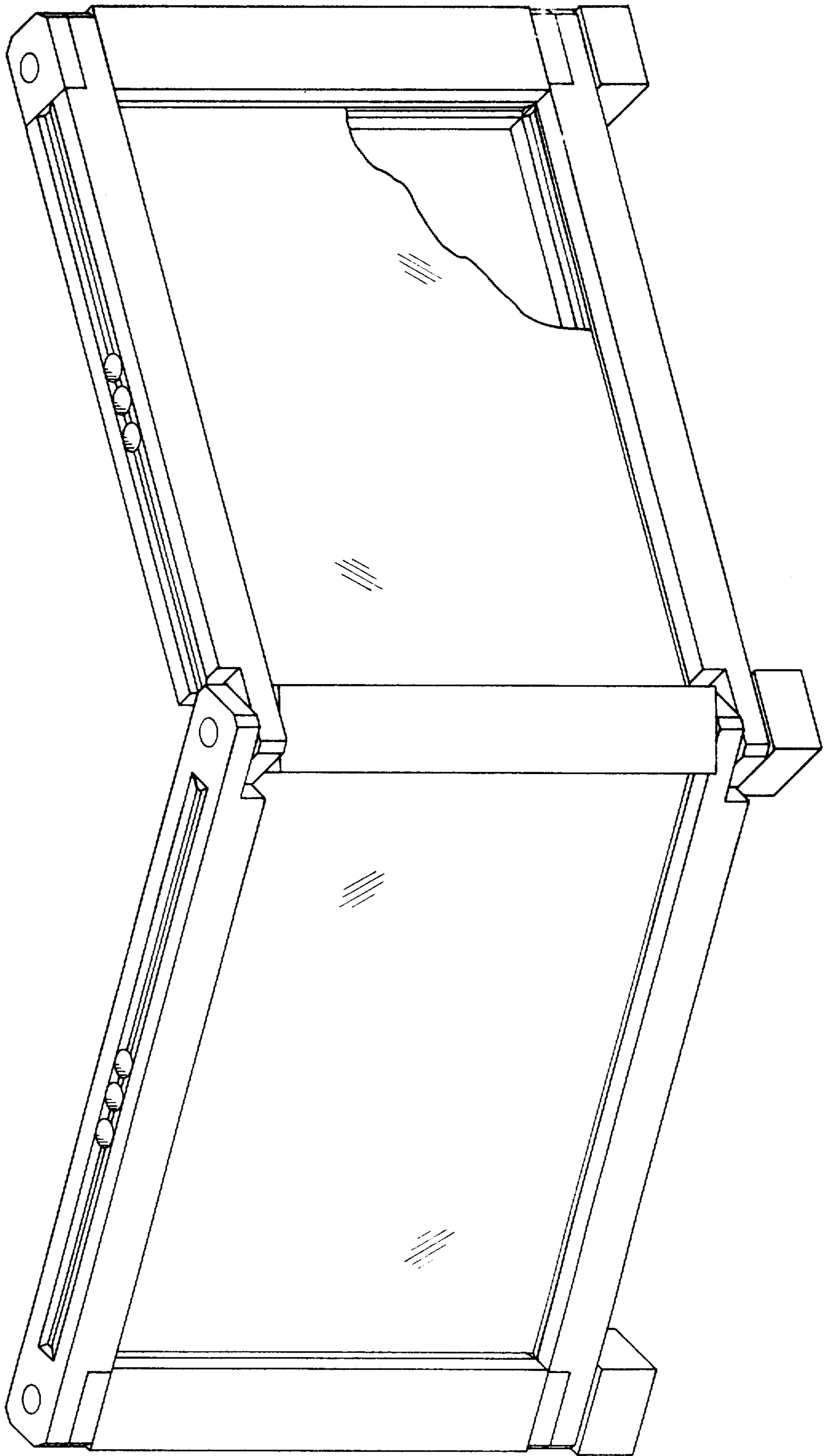


FIG 1

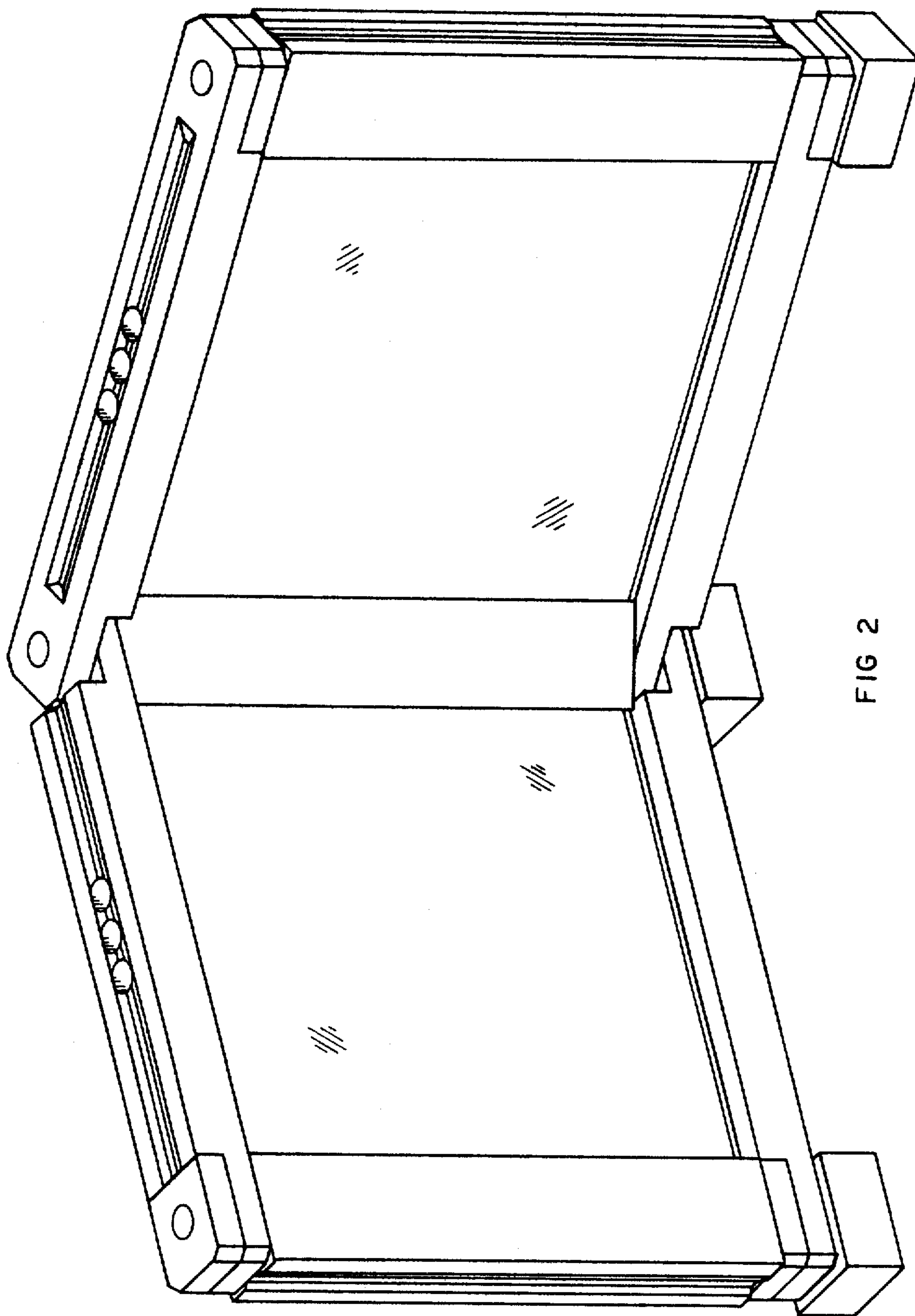


FIG 2