

[54] OTTOMAN

[75] Inventor: Arthur C. Crockett, Cincinnati, Ohio

[73] Assignee: Simmons Universal Corporation,  
New York, N.Y.

[\*\*] Term: 14 Years

[21] Appl. No.: 311,693

[22] Filed: Oct. 14, 1981

[52] U.S. Cl. .... D6/36

[58] Field of Search ..... D6/32-36,  
D6/58

[56] References Cited

U.S. PATENT DOCUMENTS

D. 146,378 2/1947 Obrig ..... D6/36  
2,829,705 4/1958 Godshalk et al. .... D6/32 X

OTHER PUBLICATIONS

Industrial Design, Aug. 1969, p. 56, Stool in panel No. 26.

Interiors, Sep. 1977, p. 52, Bench bottom center by Harvey Propper.

Sears Roebuck & Co. Catalog, S&S 1965, p. 1508, Ottoman No. C.

Interiors, Feb. 1979, p. 48, Cocktail Table at left center.

Primary Examiner—Bruce W. Dunkins

[57] CLAIM

The ornamental design for an ottoman, as shown and described.

DESCRIPTION

FIG. 1 is a front perspective view of the ottoman of the present invention;

FIG. 2 is a side view thereof; and

FIG. 3 is a front view thereof.

The ottoman is characterized by the combination of a pair of opposing tubular frame members of trapezoidal configuration in association with a top which curves downwardly in flush engagement with said trapezoidal members, all as best illustrated in FIG. 2.

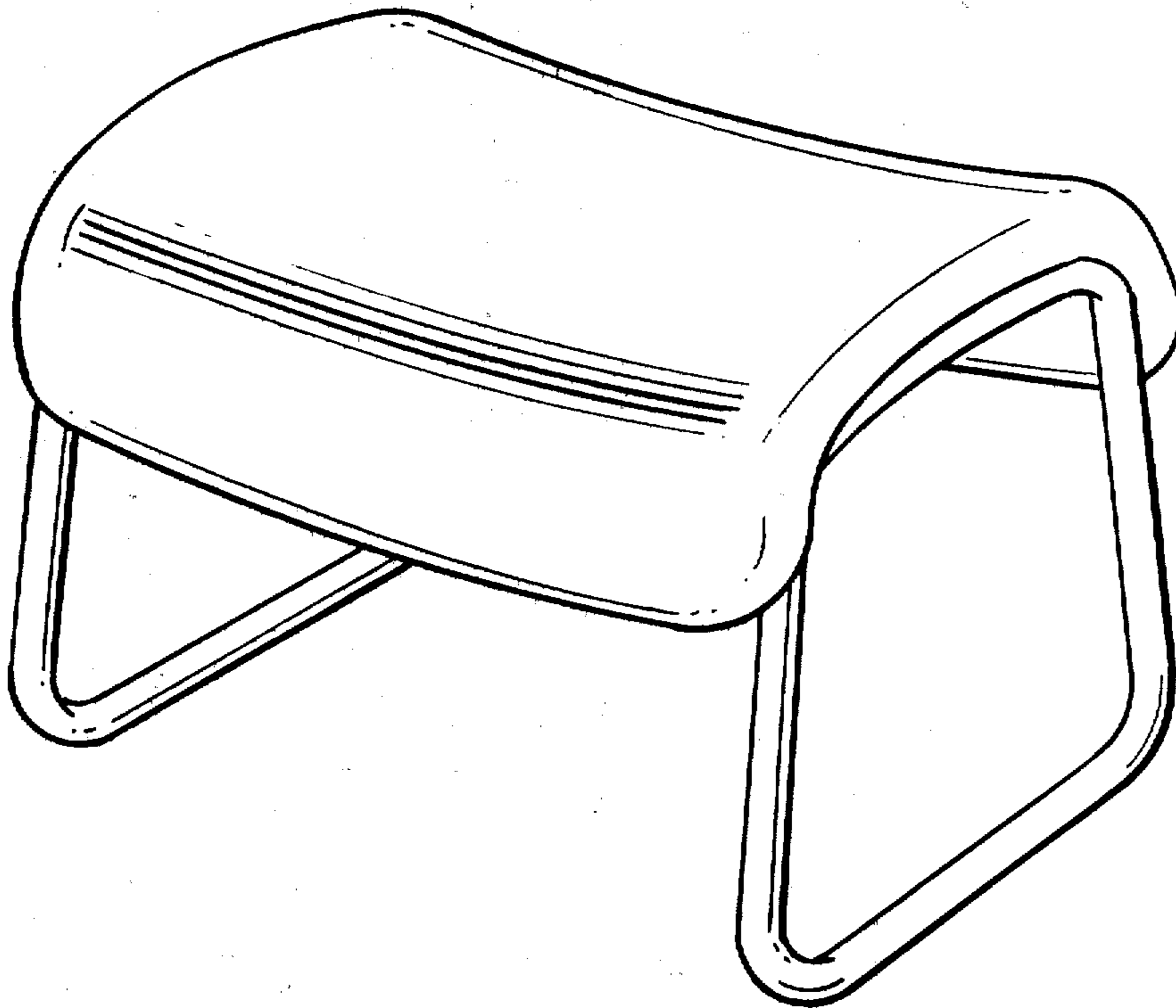


Fig. 1.

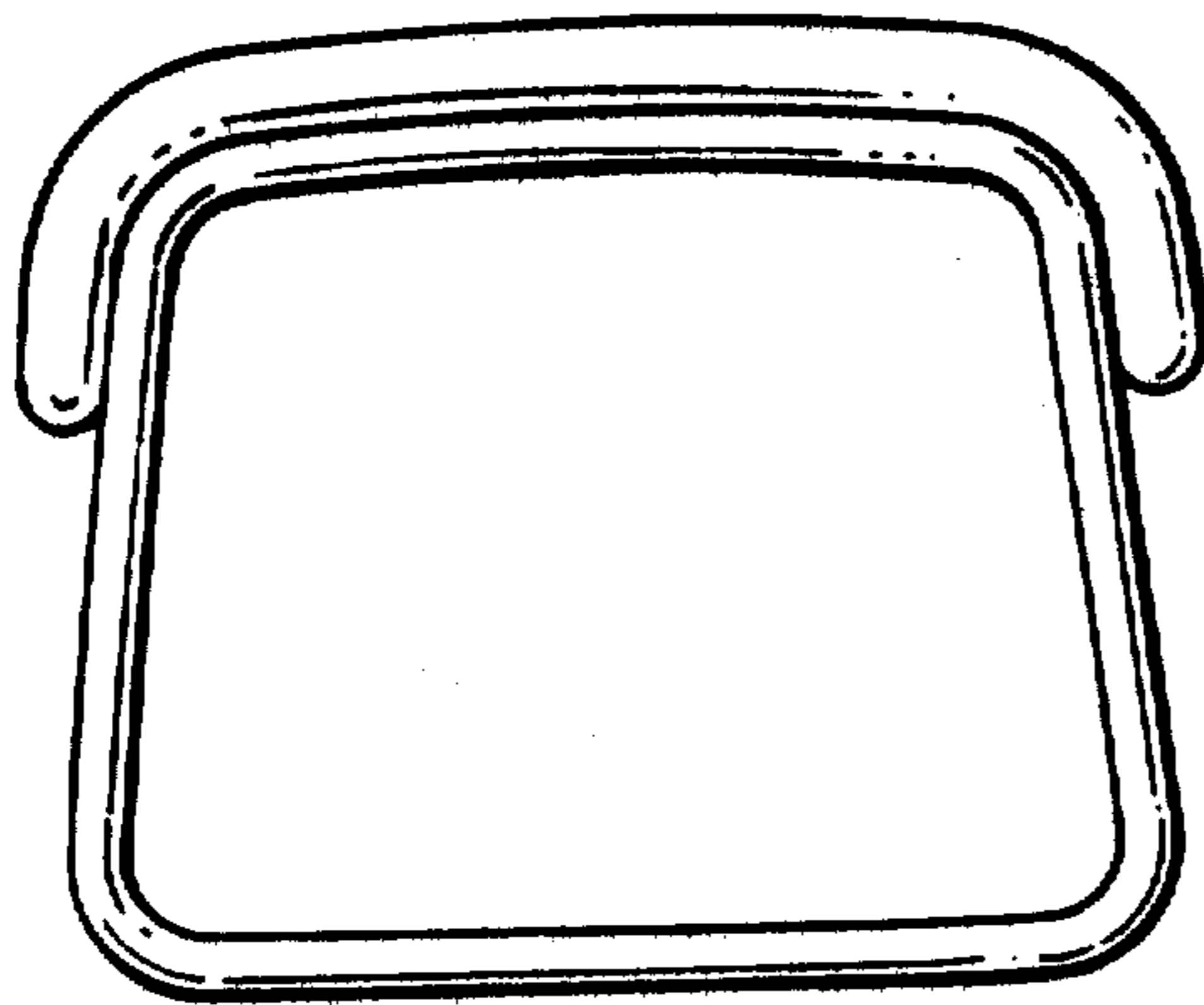
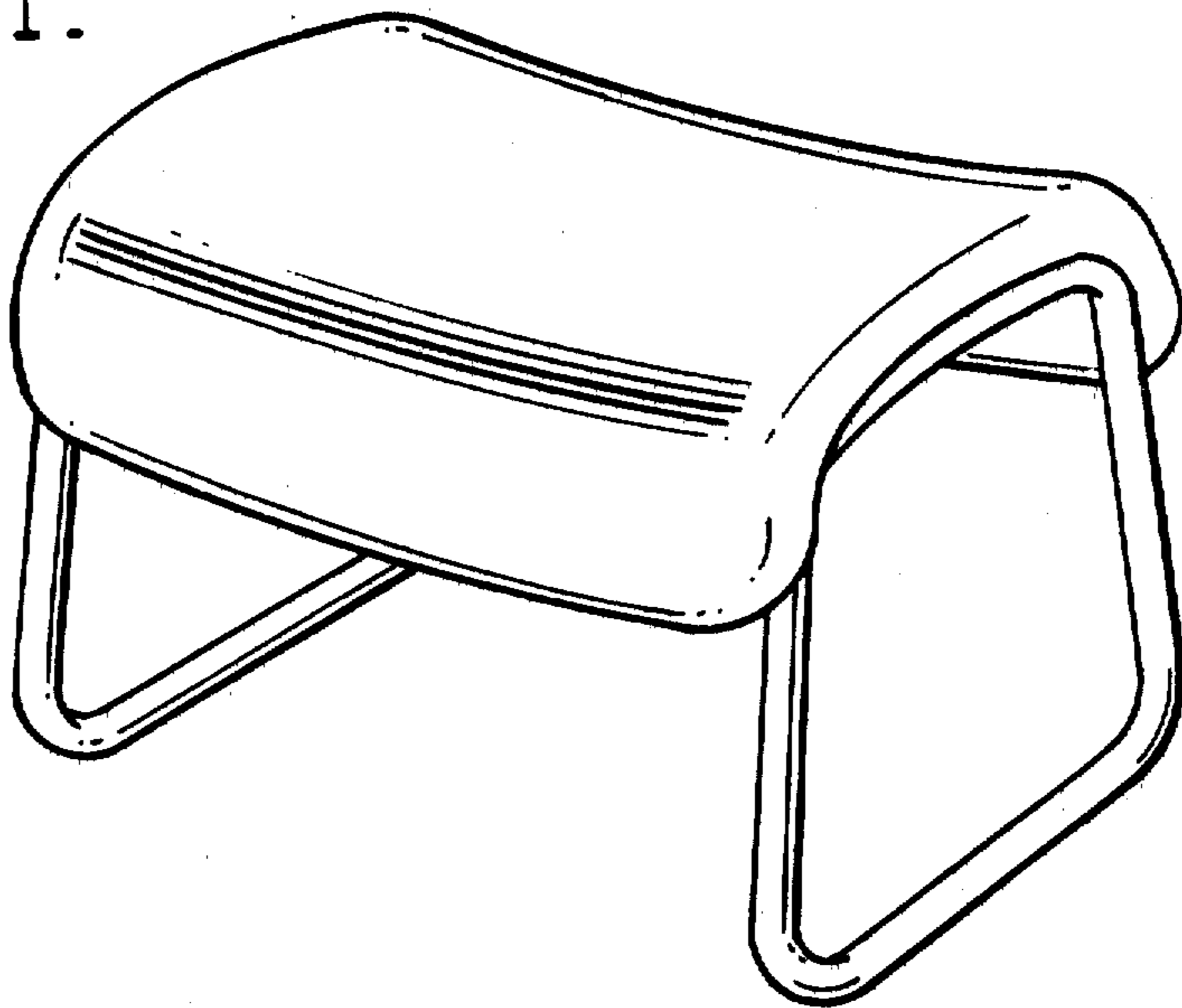


Fig. 2.

Fig. 3.

