

[54] **ARM CHAIR**

[75] Inventor: **Vincent Cafiero, Irvington, N.Y.**

[73] Assignee: **Simmons Universal Corporation,
New York, N.Y.**

[**] Term: **14 Years**

[21] Appl. No.: **320,811**

[22] Filed: **Nov. 12, 1981**

[52] U.S. Cl. **D6/31**

[58] Field of Search **D6/20-26,
D6/30, 31, 47-73, 197**

[56] **References Cited**

U.S. PATENT DOCUMENTS

D. 233,638 11/1974 Offredi **D6/31**

OTHER PUBLICATIONS

Paidar adv. sheet, Mar. 31, 1964, Chair No. 8100.
Design Catalog, Dec. 1979, p. 26, Chair at right by
Interspace.

Primary Examiner—**Bruce W. Dunkins**

[57] **CLAIM**

The ornamental design for an arm chair, as shown and
described.

DESCRIPTION

FIG. 1 is a perspective view of the arm chair of the
present invention;
FIG. 2 is a front view thereof;
FIG. 3 is a side view thereof; and
FIG. 4 is a rear view thereof.



Fig. 2.

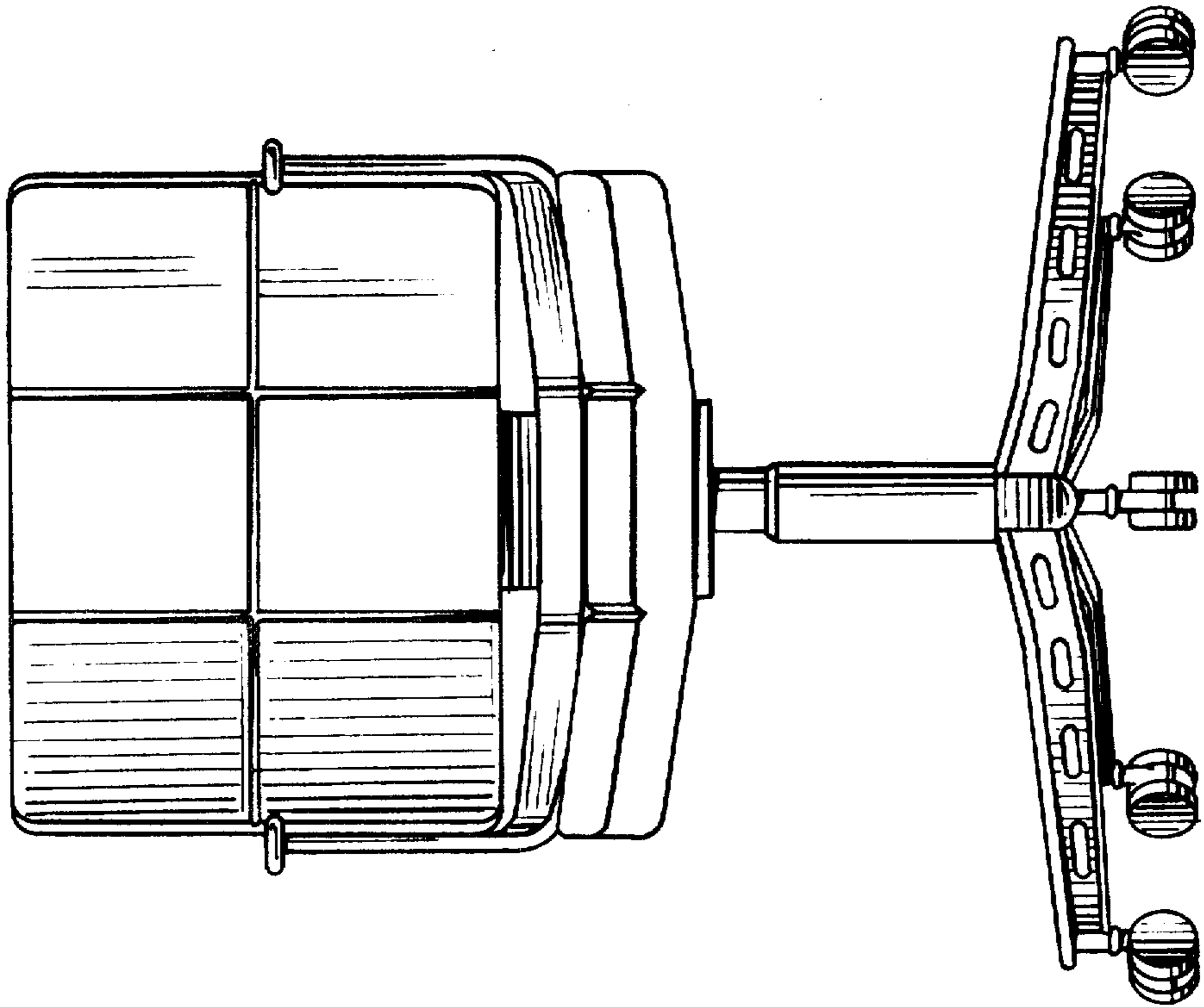


Fig. 1.

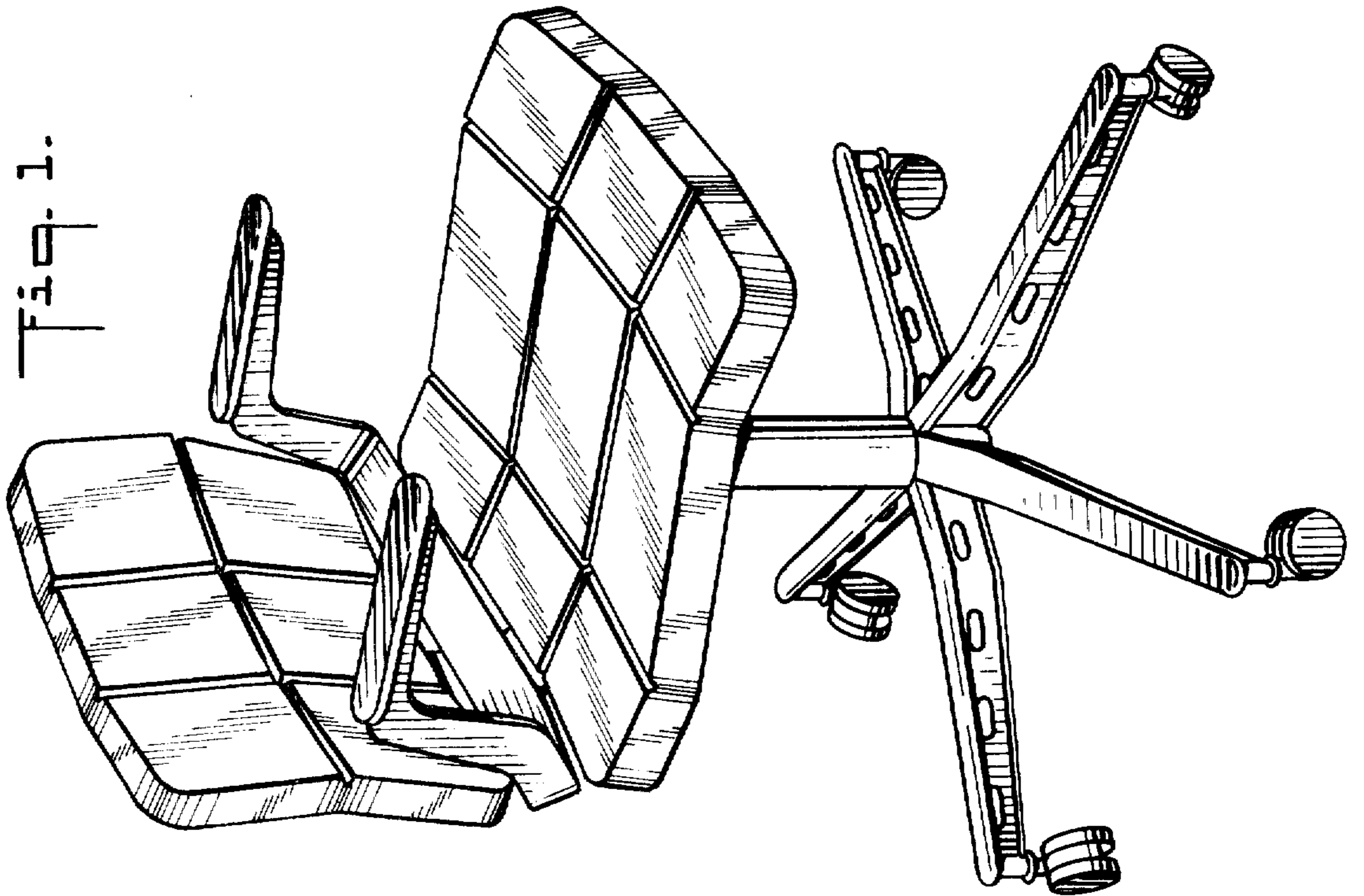


Fig. 4.

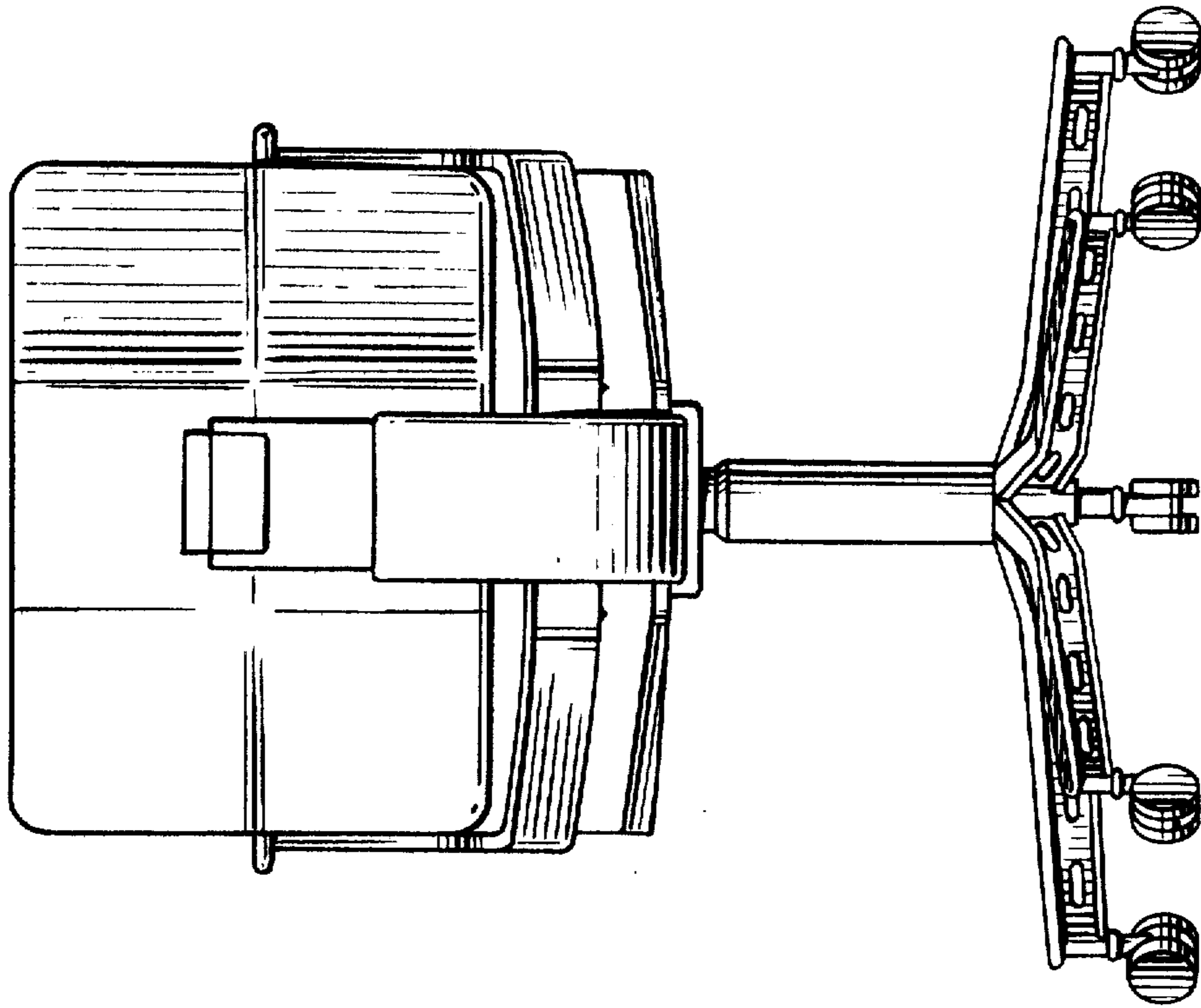


Fig. 3.

