

[54] **ARM CHAIR**

[75] **Inventor:** Vincent Cafiero, Irvington, N.Y.

[73] **Assignee:** Simmons Universal Corporation,
New York, N.Y.

[**] **Term:** 14 Years

[21] **Appl. No.:** 320,809

[22] **Filed:** Nov. 12, 1981

[52] **U.S. Cl.** D6/31

[58] **Field of Search** D6/20-26,
D6/30, 31, 47, 67-73

[56] **References Cited**

U.S. PATENT DOCUMENTS

D. 233,638 11/1974 Offredi D6/31

OTHER PUBLICATIONS

Paidar adv. sheet, Mar. 31, 1964, Chair No. 8100.
Design Catalog, Dec. 1979, p. 26, Chair at right by
Interspace.

Primary Examiner—Bruce W. Dunkins

[57] **CLAIM**

The ornamental design for an arm chair, as shown and
described.

DESCRIPTION

FIG. 1 is a perspective view of the arm chair of the
present invention;
FIG. 2 is a front view thereof;
FIG. 3 is a side view thereof; and
FIG. 4 is a rear view thereof.



Fig. 2.

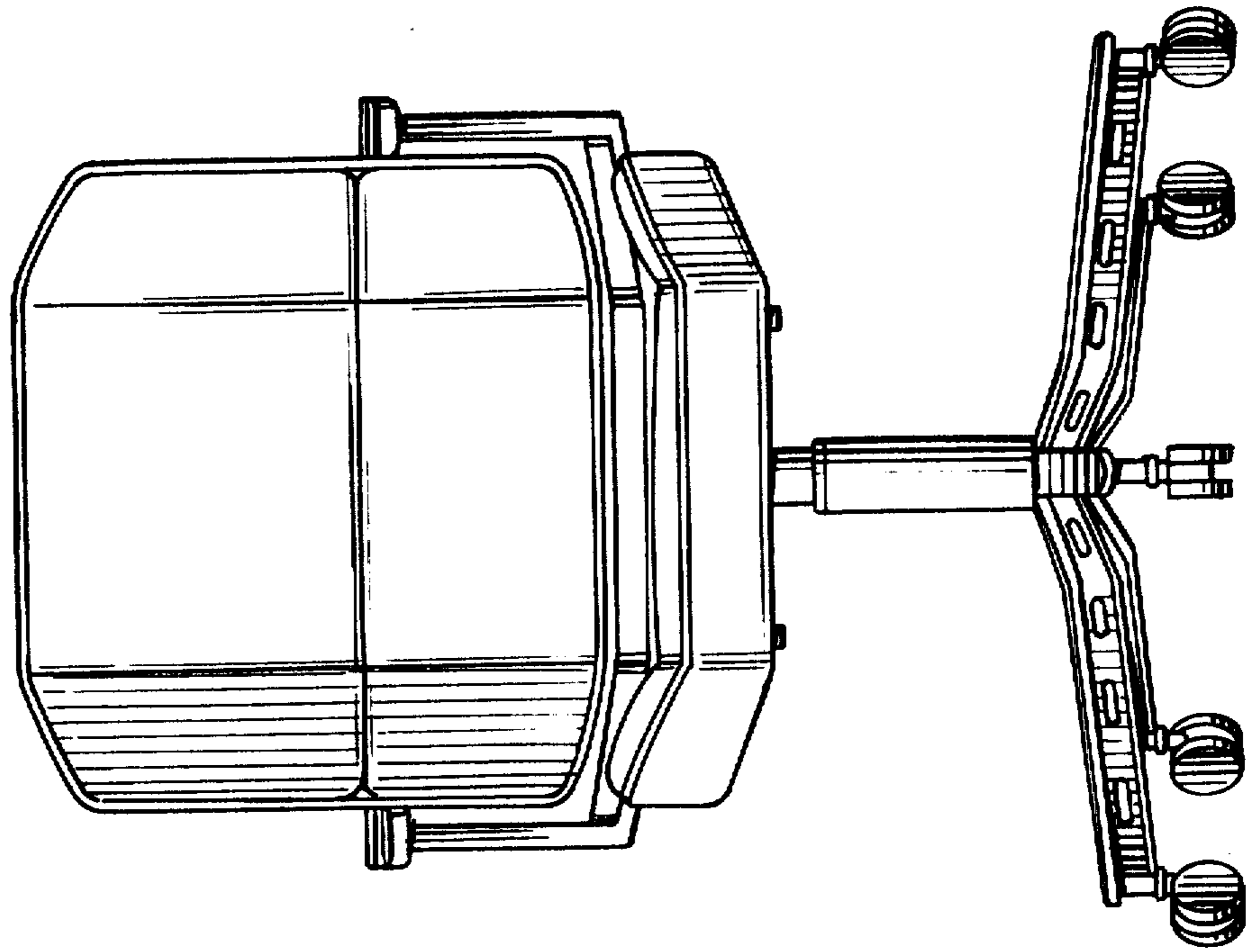


Fig. 1.

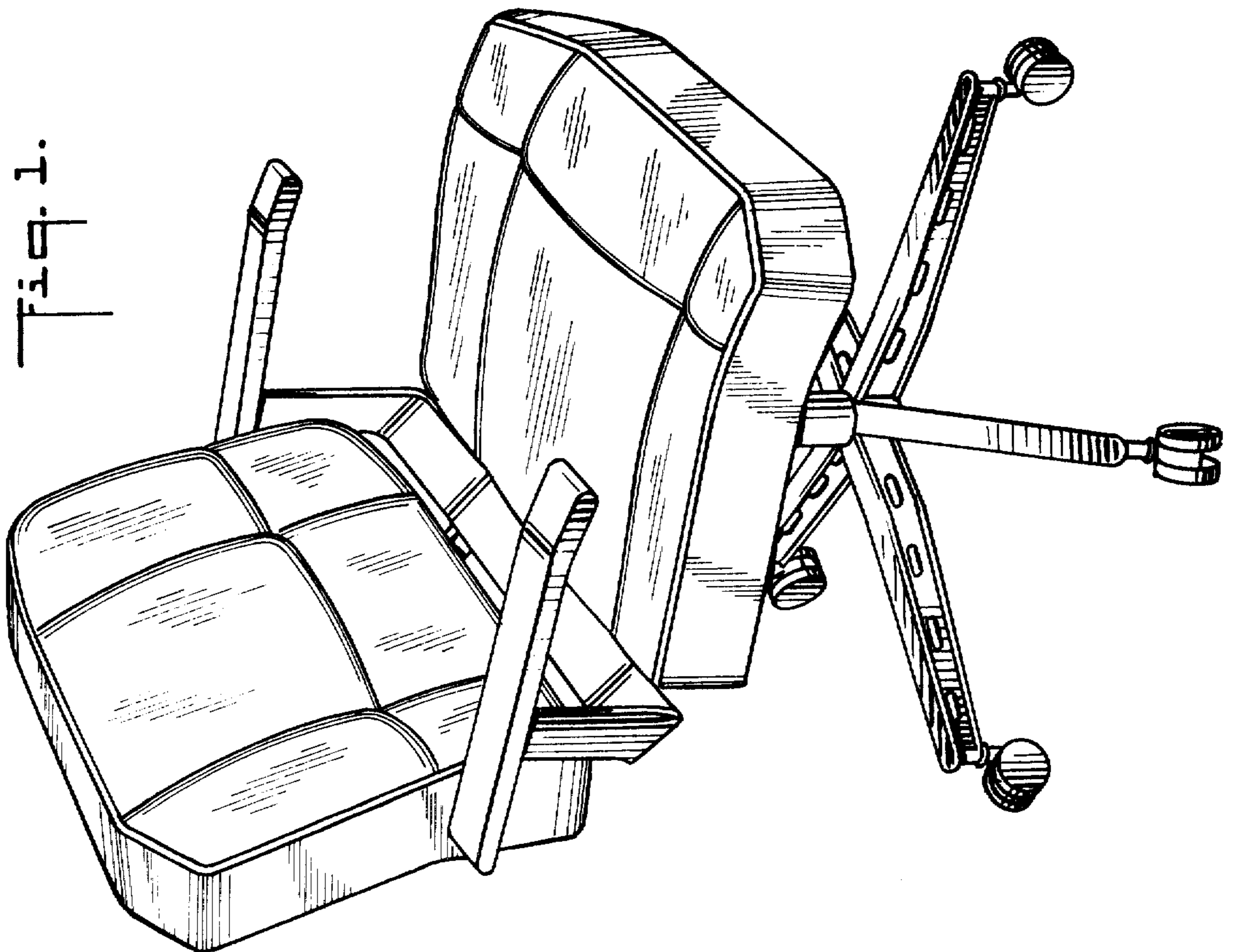


Fig. 4.

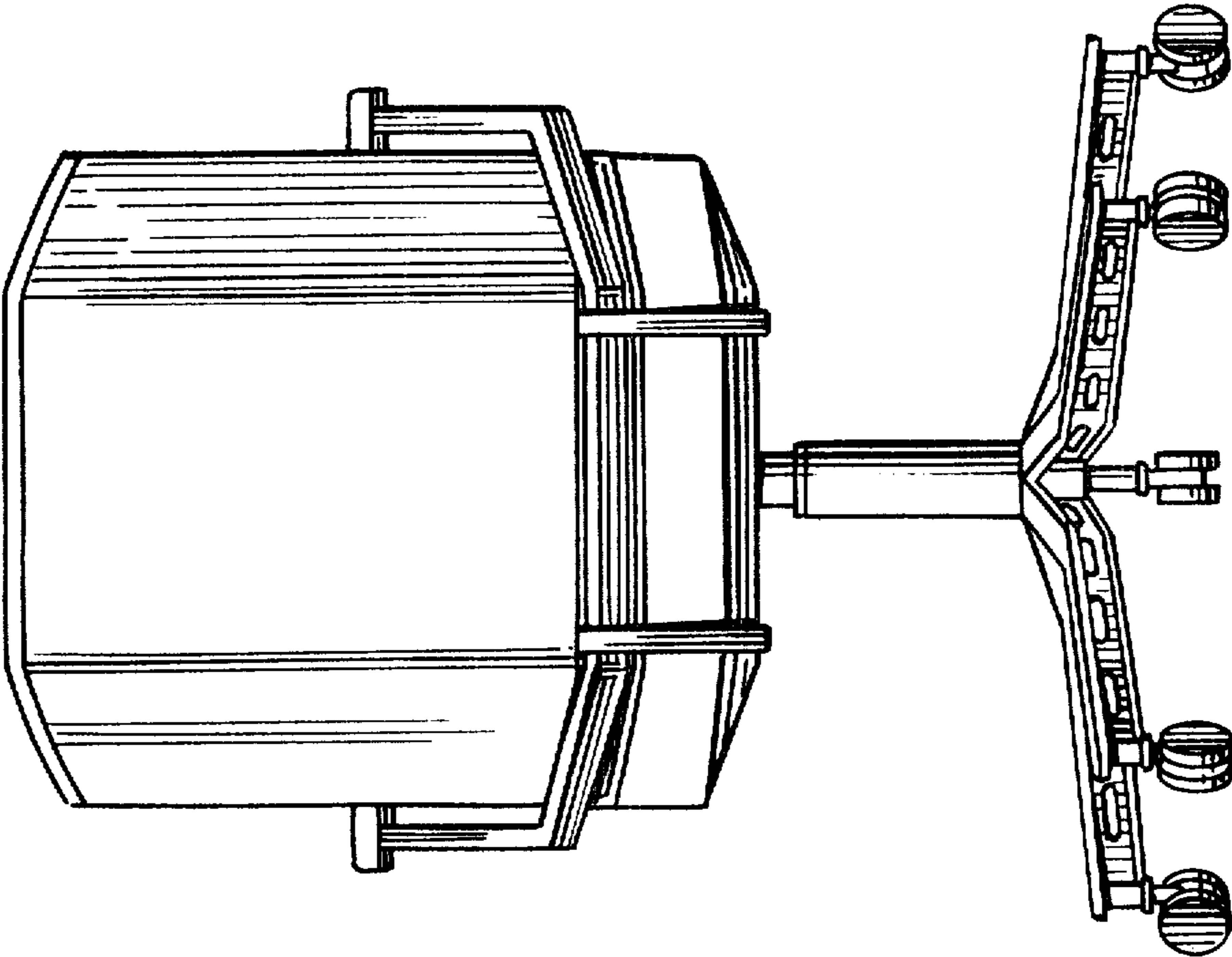


Fig. 3.

