

[54] **LAWN UMBRELLA**

[75] **Inventor: Edward Secon, Trumbull, Conn.**

[73] **Assignee: The Sherwood Corporation, Spring City, Tenn.**

[**] **Term: 14 Years**

[21] **Appl. No.: 266,495**

[22] **Filed: May 22, 1981**

[52] **U.S. Cl. D3/5**

[58] **Field of Search D3/5, 6, 7, 10; 135/20 R, 20 A, 21, 25 R, 25 A**

[56] **References Cited**
U.S. PATENT DOCUMENTS

553,735	1/1896	Murgatroyd	135/20 A
4,347,862	7/1982	Secon	135/20 R
4,360,035	11/1982	Dillman	135/20 R

Primary Examiner—Charles A. Rademaker
Attorney, Agent, or Firm—Alan Ruderman

[57] **CLAIM**

The ornamental design for a lawn umbrella, substantially as shown and described.

DESCRIPTION

FIG. 1 is a front perspective view of a lawn umbrella embodying my new design;
FIG. 2 is a rear perspective view thereof, and
FIG. 3 is a top plan view thereof.



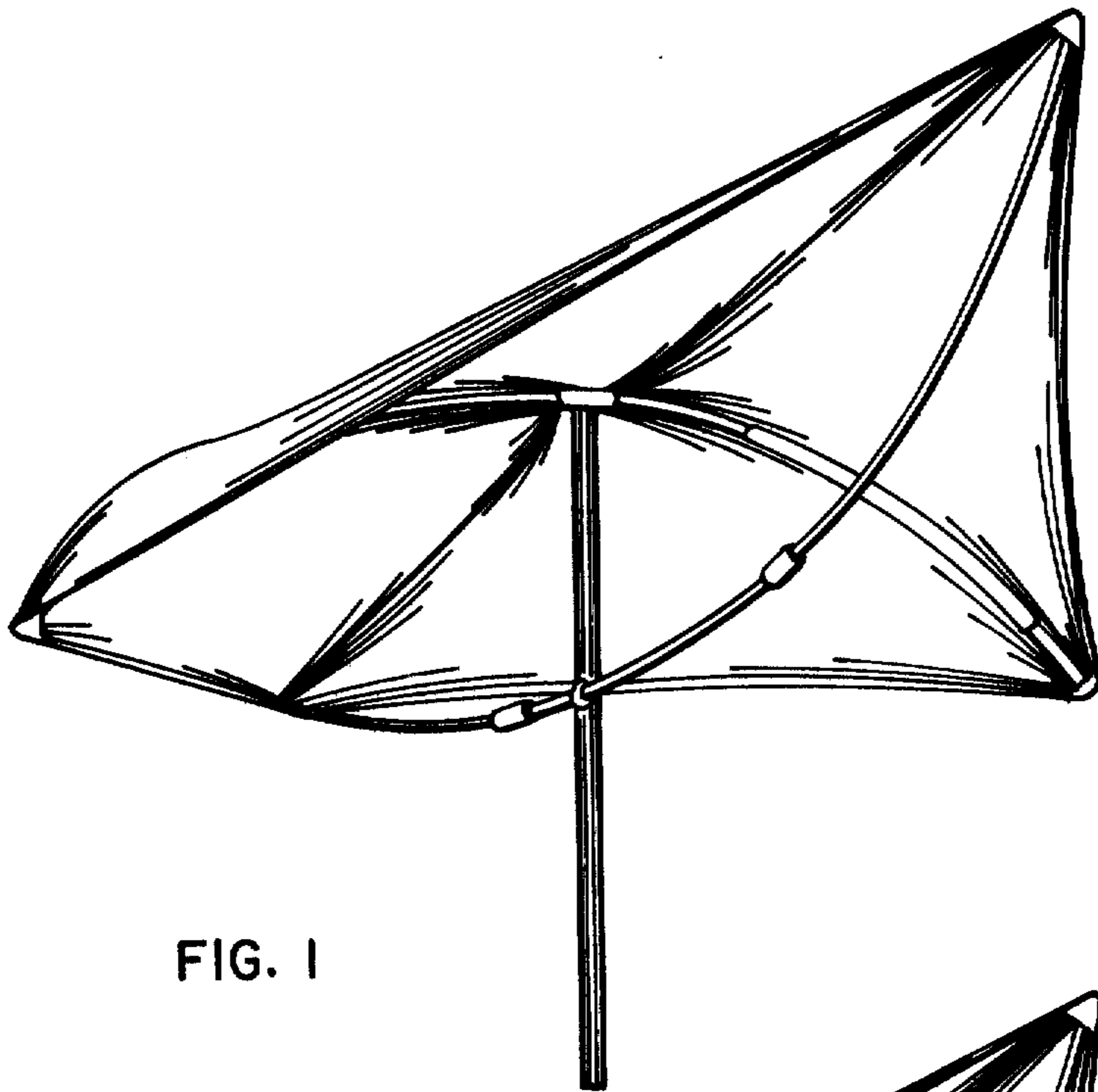


FIG. 1

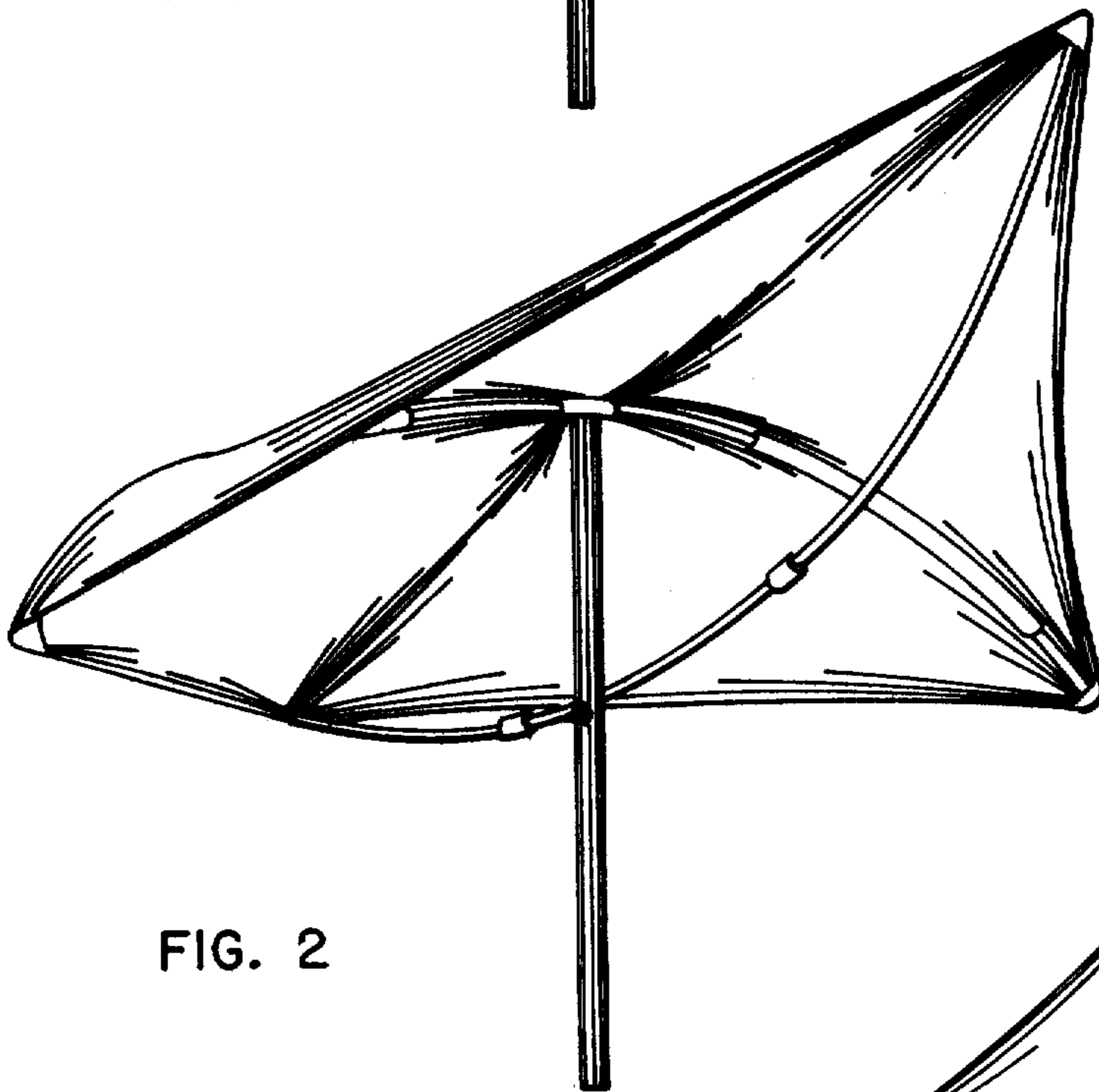


FIG. 2

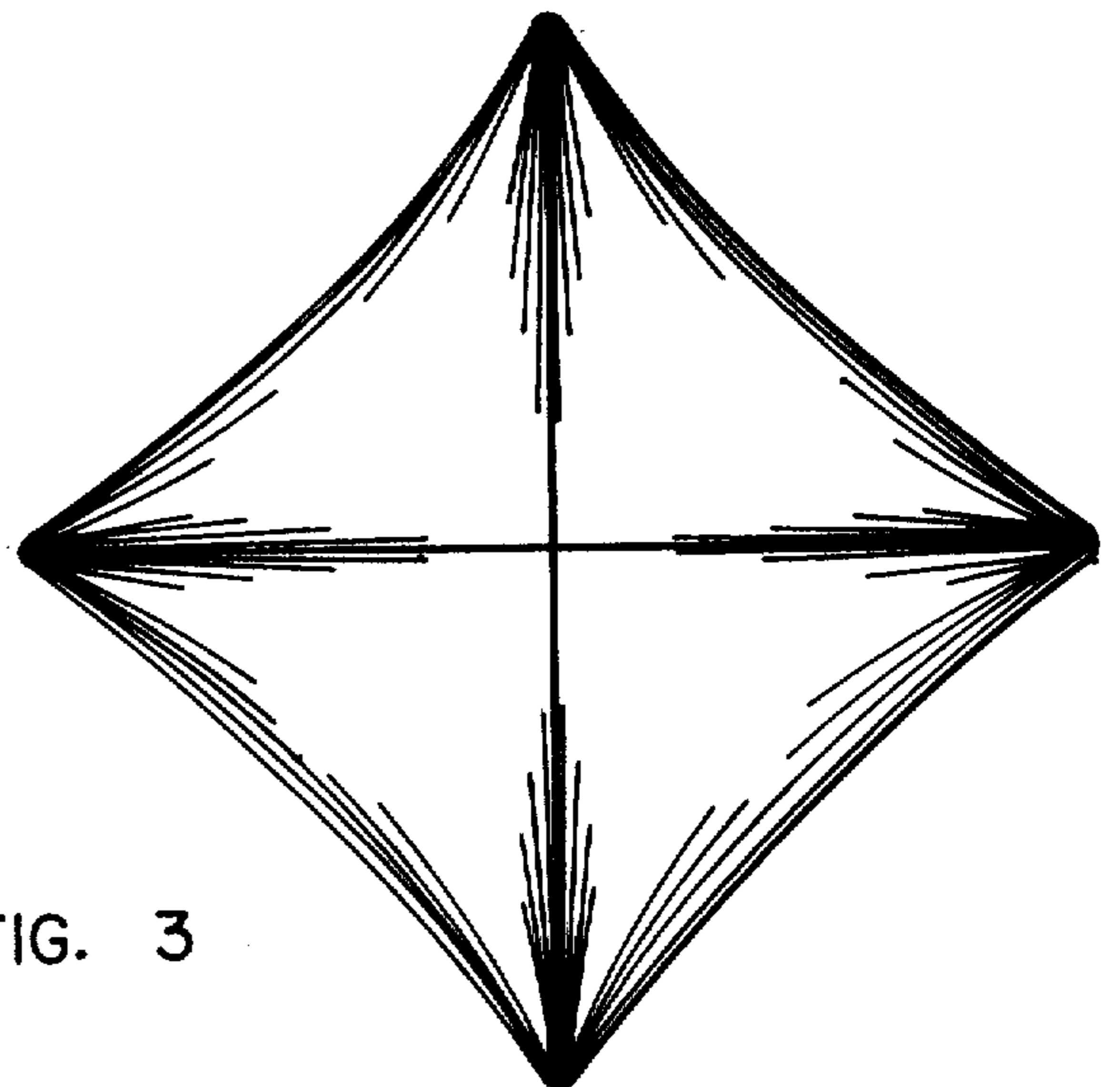


FIG. 3