

[54] DOCUMENT CART

[75] Inventors: Joseph K. Semerjian, Franklin Park; James P. Crowley, Glenview, both of Ill.

[73] Assignee: Wilson Jones Company, Chicago, Ill.

[**] Term: 14 Years

[21] Appl. No.: 267,433

[22] Filed: May 27, 1981

[52] U.S. Cl. D34/21; D6/178

[58] Field of Search D34/21, 71; D6/178; 280/47.35, 79.3; 211/153, 134; 108/59

[56] References Cited

U.S. PATENT DOCUMENTS

D. 186,306	10/1959	Frick	D34/21
D. 209,680	12/1967	Bravo et al.	D34/21
2,794,695	6/1957	Heal	D6/178

OTHER PUBLICATIONS

Institutions, 1/59, p. 80, Bedside Cart. Consumer Distributing 1972/1973 Buying Guide, p. 166, T.V. Stand B, center left side of page.

Primary Examiner—James M. Gandy
Attorney, Agent, or Firm—Pennie & Edmonds

[57] CLAIM

The ornamental design for a document cart, substantially as shown and described.

DESCRIPTION

FIG. 1 is a perspective view of a document cart showing our new design; FIG. 2 is a left end elevational view thereof; FIG. 3 is a front elevational view thereof; FIG. 4 is a top plan view thereof; FIG. 5 is a rear elevational view thereof; and FIG. 6 is a bottom plan view thereof.

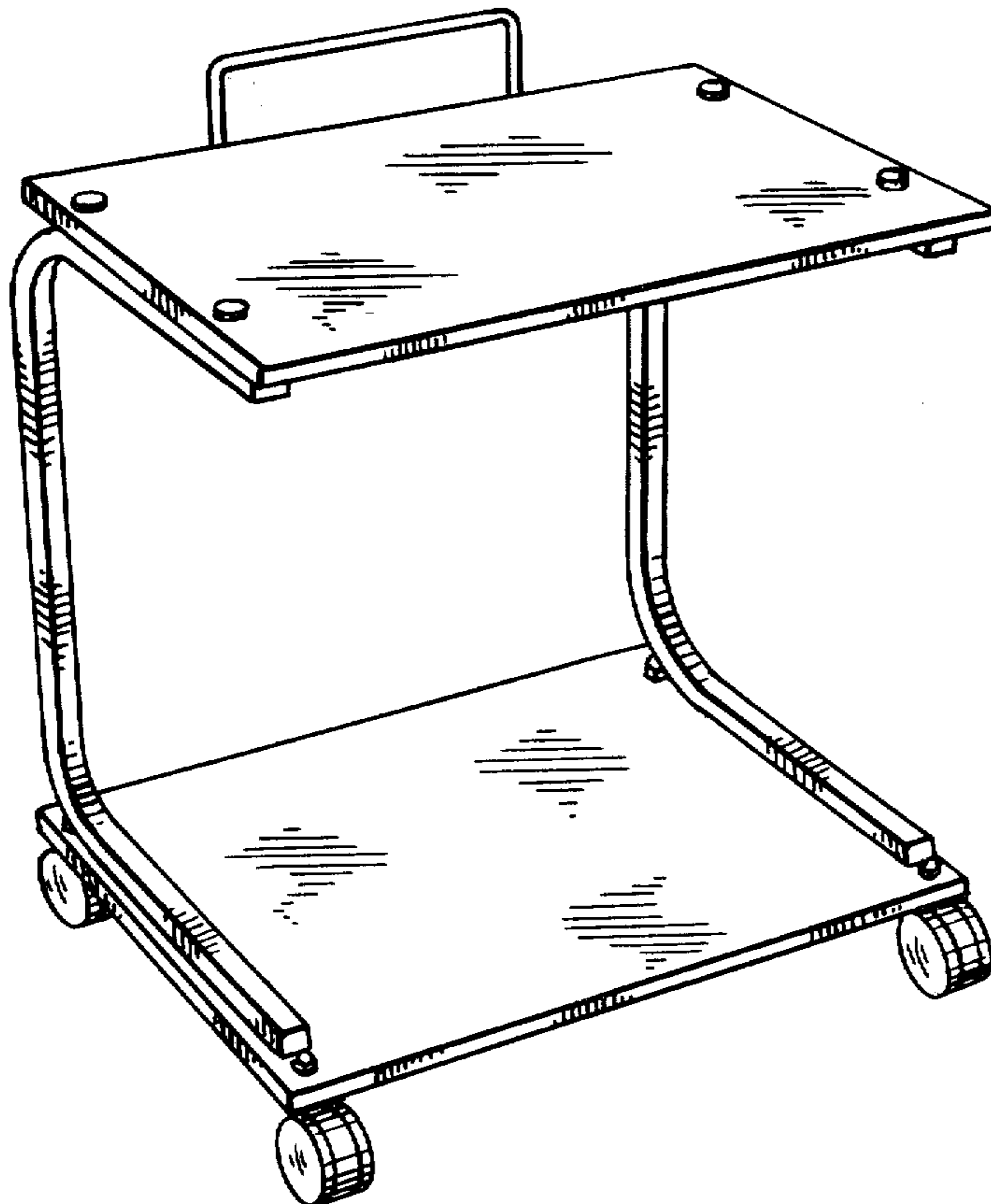


FIG. 1

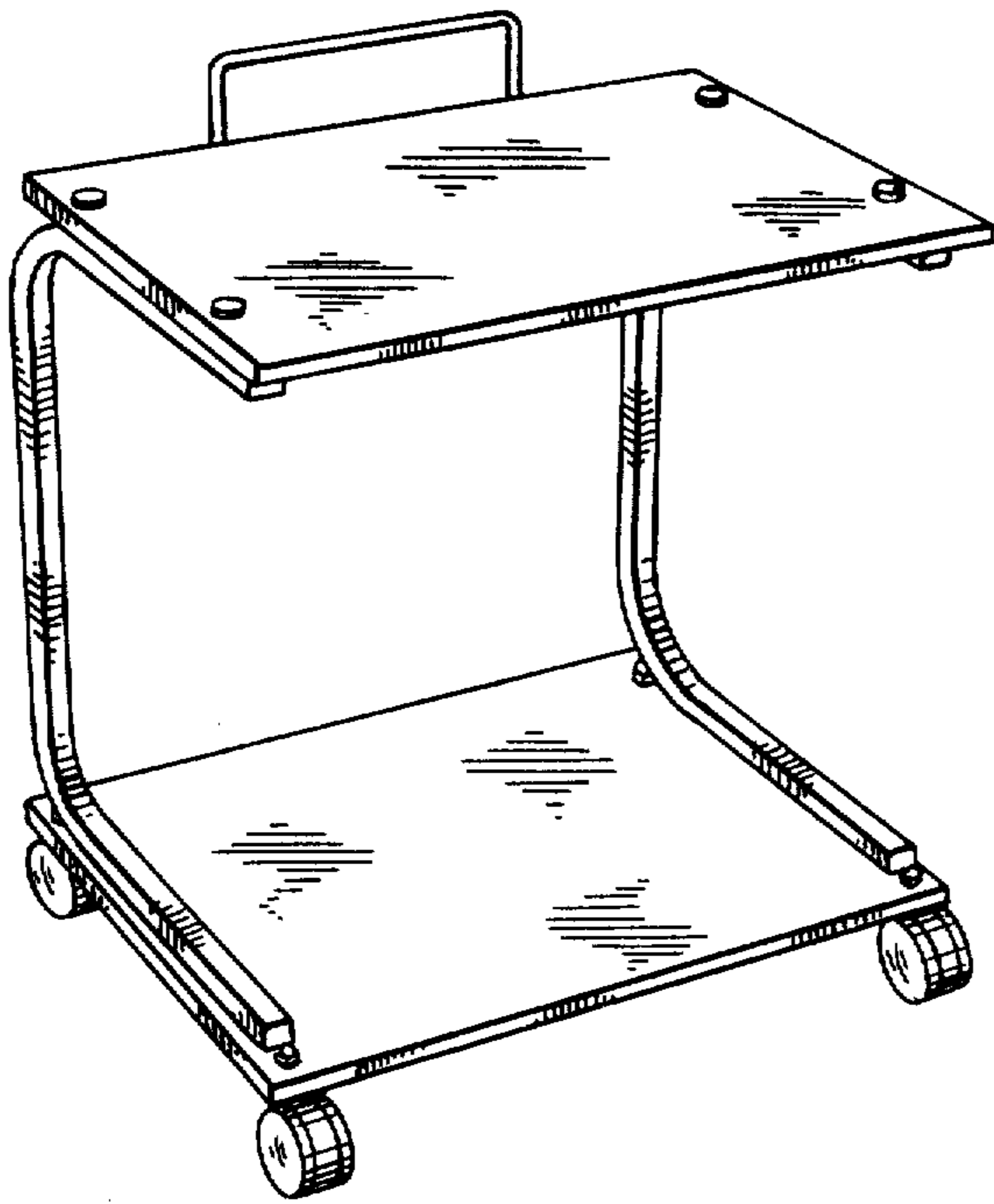


FIG. 2

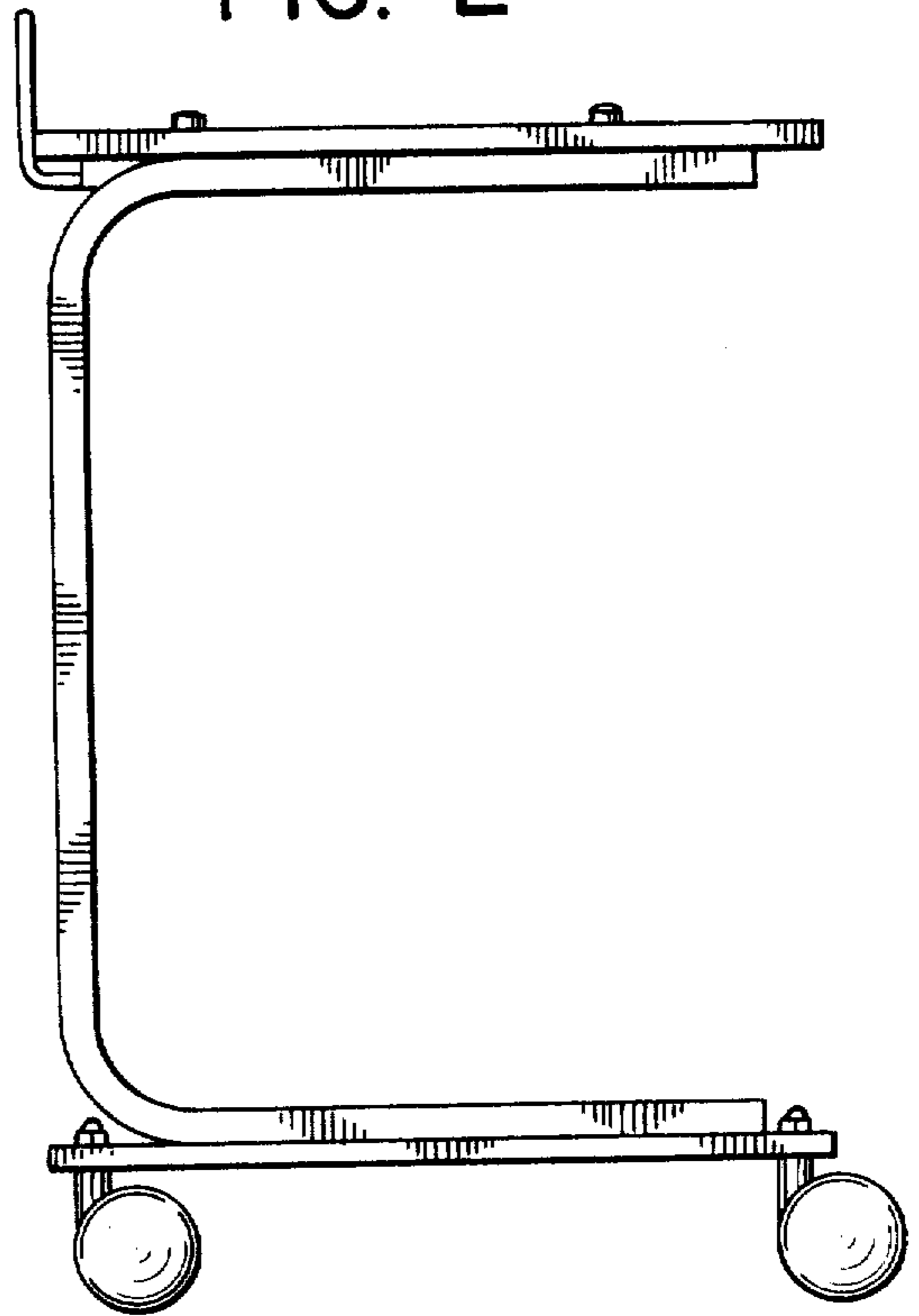


FIG. 3

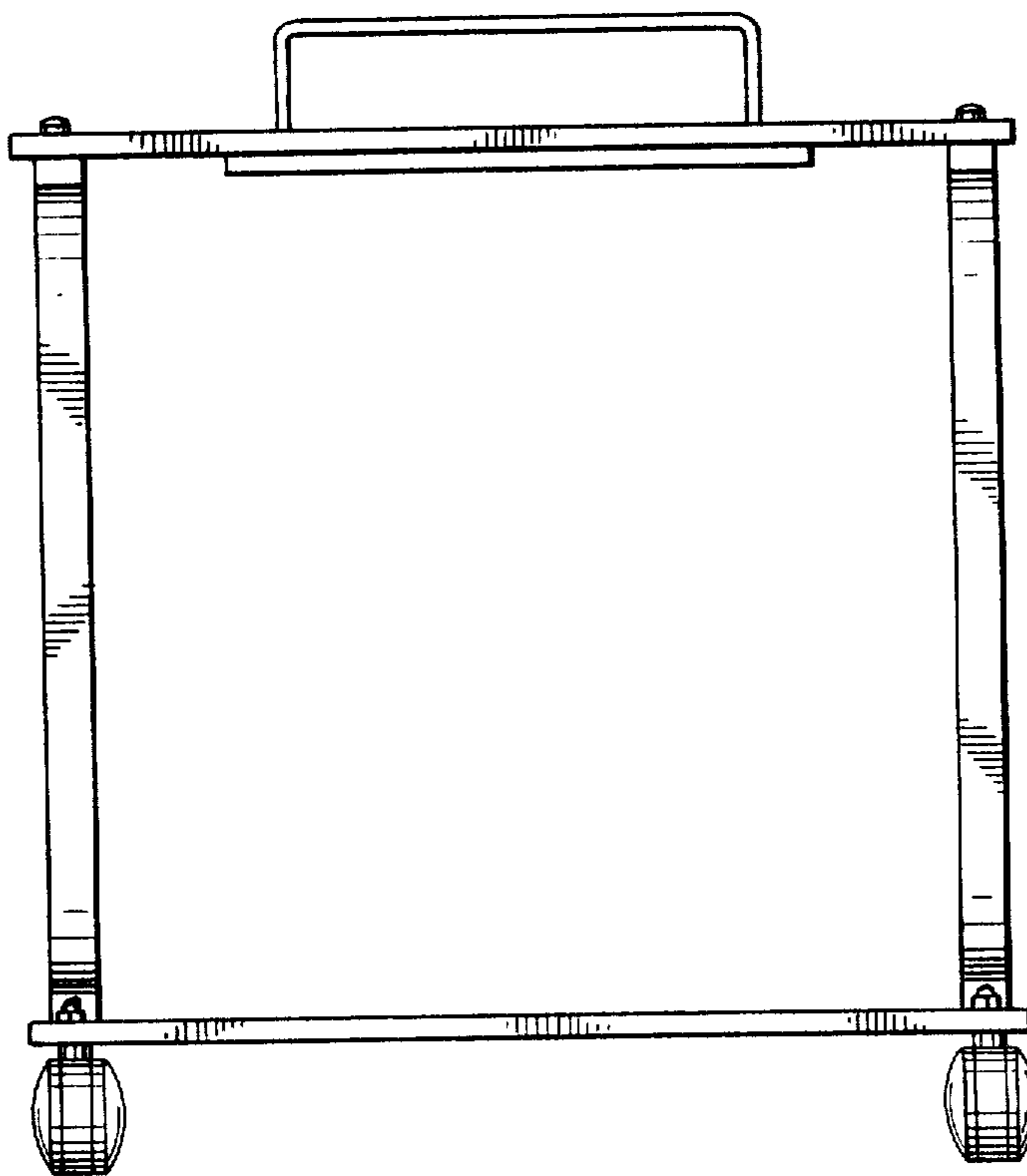


FIG. 4

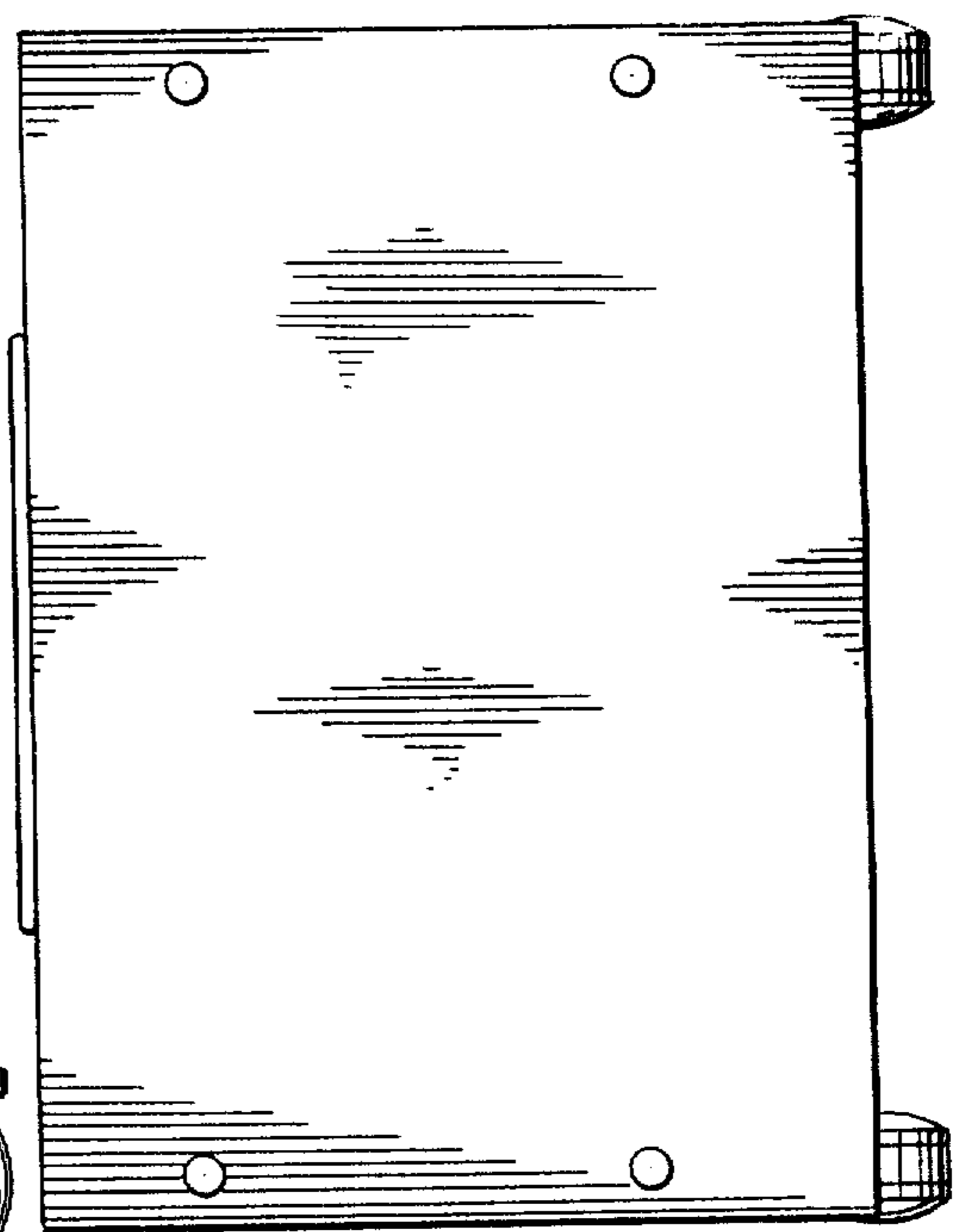


FIG. 5

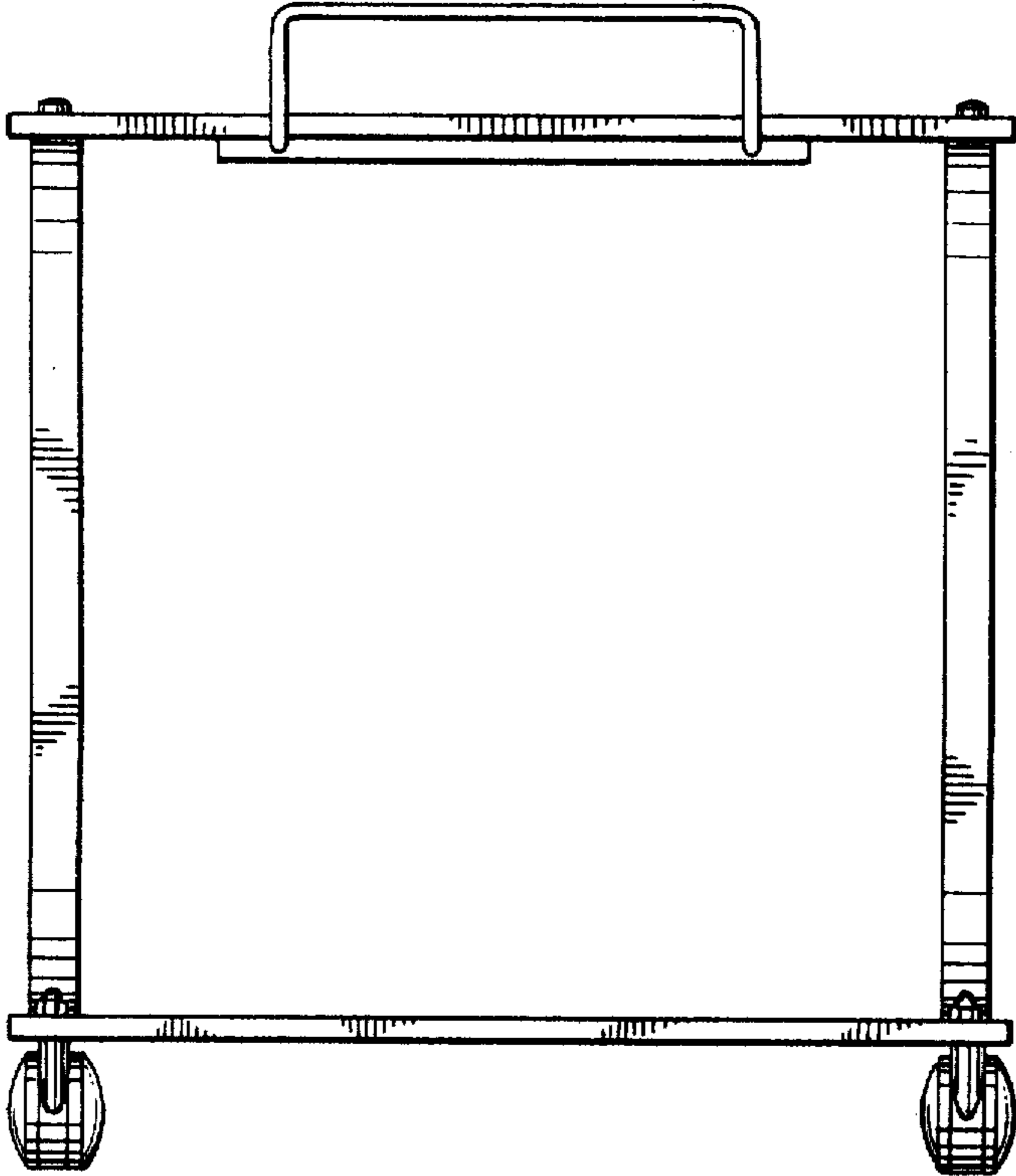


FIG. 6

